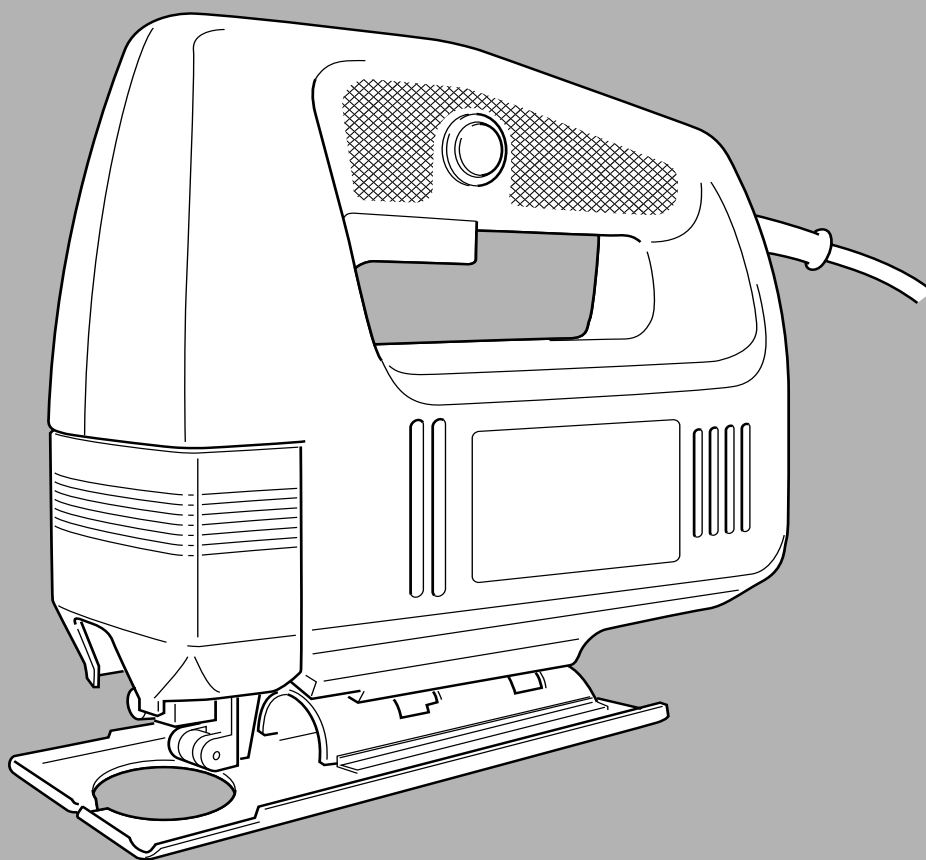




 **BLACK &
DECKER**®



**CD300
KS531**



Congratulations!

*On the purchase of your
Black & Decker jigsaw.*

To ensure the best results from your jigsaw please read these safety and usage instructions carefully. If you have any questions or queries after reading this manual please do not hesitate to call your local service and information centre (the number is towards the back of this manual).





Contents

<i>Page 4</i>	Safety instructions Double insulation
<i>Page 5</i>	Electrical safety Mains plug replacement Extension cables Unwanted tools and the environment The Black & Decker guarantee
<i>Page 6</i>	After sales service for your Black & Decker product Our after sales service policy Accessories Technical data Features Fitting the blade Blade support roller Operating your jigsaw
<i>Page 7</i>	Saw shoe adjustment for angular cutting Dust extraction Handy hints Cutting laminates Pocket cutting Cutting metal Cleaning
<i>Page 8</i>	EC declaration of conformity Black & Decker phone numbers and addresses Guarantee card



Jigsaws user manual

SAFETY INSTRUCTIONS

Warning! When using electric tools, the following basic safety precautions should always be taken to reduce the risk of fire, electric shock and personal injury. Read all these instructions before attempting to operate the product and save this booklet.


For safe operation:

- **Keep the work area clean.** Cluttered areas and benches invite injuries.
- **Consider the work area environment.** Do not expose the power tool to rain and do not use in damp or wet locations. Keep the work area well lit. Do not use the power tool where there is a risk to cause fire or explosion.
- **Guard against electric shock.** Avoid body contact, where possible, with earthed or grounded surfaces (e.g. pipes, radiators, ranges and refrigerators).
- **Keep children away.** Do not let visitors touch the tool or extension cord. All visitors should be kept away from the work area.
- **Store idle tools.** When not in use, tools should be stored in a dry, high or locked place, out of reach of children.
- **Do not force the tool.** It will do the job better and more safely at the rate for which it was intended.
- **Use the right tool.** Do not force small tools or attachments to do the job of a heavy duty tool. Do not use the tool for purposes not intended; for example, do not use a circular saw to cut tree limbs or logs.
- **Dress properly.** Do not wear loose clothing or jewellery as they can be caught in moving parts. Rubber gloves and non-skid footwear are recommended when working outdoors. Wear protective hair covering to contain long hair.
- **Use safety glasses.** Use a face or dust mask as well, if the operation is dusty or if the tool is being used in enclosed spaces.
- **Connecting dust extraction equipment.** If devices are provided for the connection of dust extraction and collection ensure these are connected and properly used, especially in confined areas.
- **Do not abuse the cord.** Never carry the tool by its cord or yank it to disconnect it from the socket. Keep the cord away from heat, oil and sharp edges.
- **Secure the work.** Use clamps or a vice to hold the work. It is safer than using a hand and it frees both hands to operate the tool.
- **Do not overreach.** Keep proper footing and balance at all times.

- **Maintain the tool with care.** Keep a cutting tool sharp and clean for better and safer performance. Follow the instructions for lubricating and changing accessories. Inspect the tools cord periodically and, if damaged, have repaired by an authorised service facility. Inspect the extension cord periodically and replace if damaged. Keep the handles dry, clean and free from oil and grease.
- **Disconnect the tool** when not in use, before servicing and when changing accessories such as blades, bits and cutters.
- **Remove adjusting keys and wrenches.** Form the habit of checking to see that keys and adjusting wrenches are removed from the tool and replaced in the storage area before switching on.
- **Avoid unintentional starting.** Do not carry a plugged-in tool with a finger on the switch. Ensure the switch is off when plugging in.
- **Use an outdoor extension cord.** When a tool is used outdoors, only use an extension cord intended for outdoor use and so marked.
- **Stay alert.** Watch what you are doing, use common sense and do not operate the tool when tired.
- **Check damaged parts.** Before further use of the tool, a guard or other part that is damaged should be carefully checked to determine whether it will operate properly and perform its intended function. Check for alignment of moving parts, free running of moving parts, breakage of parts, mounting and any other conditions that may affect its operation. A guard or other part that is damaged should be properly repaired or replaced by an authorised service centre unless otherwise indicated in the product booklet. Have defective switches replaced by an authorised service centre. Do not use the tool if the switch does not turn it on and off.
- **Warning!** The use of any accessory or attachment, other than recommended in the product booklet, may present a risk of personal injury.
- **Have the tool repaired by a qualified person.** The electrical tool is in accordance with the relevant safety requirements. Repairs should only be carried out by qualified persons using original spare parts, otherwise, this may result in considerable danger to the user.

Save these instructions!

DOUBLE INSULATION

 The tool is double insulated. This means that all the external metal parts are electrically insulated



ENGLISH

from the mains power supply. This is done by placing insulation barriers between the electrical and mechanical components making it unnecessary for the tool to be earthed.

Note: Double insulation does not take the place of normal safety precautions when operating the tool. The insulation system is for added protection against injury resulting from a possible electrical insulation failure within the tool.

ELECTRICAL SAFETY

Be sure the supply is the same as the voltage given on the rating plate. The tool is fitted with a two-core cable and plug.

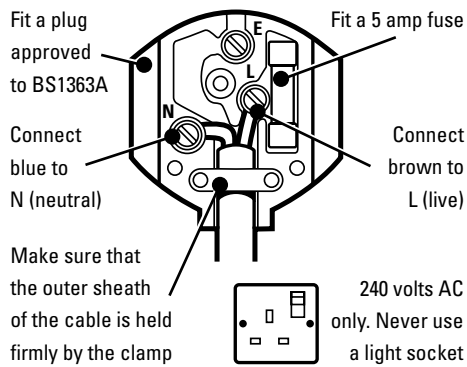
MAINS PLUG REPLACEMENT (UK ONLY)

Should the mains plug need replacing and you are competent to do this, proceed as instructed below. If you are in doubt, contact a Black & Decker service centre or a qualified electrician.

- Disconnect the plug from the power supply.
- Cut off the plug and dispose of safely. A plug with bared copper conductors is very dangerous if engaged in a live socket outlet.
- Only fit BS1363A approved plugs fitted with the correctly rated fuse.
- The cable wire colours, or a letter, will be marked at the connection point of most good quality plugs. Attach the wires to their respective points in the plug (see diagram). Brown is L (live) and blue is N (neutral).

Note: Fuses do not give personal protection against electric shock.

- The cable wire colours, or a letter, will be marked at the connection point of most good quality plugs. Attach the wires to their respective points in the plug (see diagram). Brown is L (live) and blue is N (neutral).



- Before replacing the top cover of the plug ensure that the cable restraint is holding the outer sheath of the cable firmly and that the two leads are correctly fixed at the terminal screws. If the fuse cover is missing or damaged do not use the plug. For

replacement or detachable fuse covers, contact a Black & Decker service centre.

Warning! Never connect live or neutral wires to the earth pin marked E or \perp .

MAINS PLUG REPLACEMENT (AUSTRALIA AND NEW ZEALAND ONLY)

Should the mains plug or cordset of the product be damaged, it must only be replaced by an authorised Black & Decker service agent because special purpose tools are required.

EXTENSION CABLES

Up to 30m (100ft) of Black & Decker 2-core extension cable (or 3-core extension cordset, in Australia and New Zealand) can be used without undue loss of power.

Note: An extension cable should not be used unless absolutely necessary. Use of an improper extension cable could result in a risk of fire and electric shock. If an extension cable must be used, make sure it is properly wired, contains the correct rated fuse as recommended in its literature and is in good electrical condition.

UNWANTED TOOLS AND THE ENVIRONMENT



Should you find one day that the tool needs replacement or is of no further use, think of the protection of the environment. Black & Decker service centres will accept old tools and will dispose of them in an environmentally safe way.

THE BLACK & DECKER GUARANTEE (UK, AUSTRALIA AND NEW ZEALAND ONLY)

If the Black & Decker product becomes defective due to faulty materials and workmanship, within 24 months from the date of purchase, we guarantee to either replace all defective parts or at our discretion, replace the unit free of charge provided that:

- The product is returned to us or our authorised repairers with evidence of date of purchase.
- The product has not been used for trade, professional or hire purposes.
- The product has not been subjected to misuse or neglect.
- The product has not sustained any damage through foreign objects, substances or accidents.
- Repairs have not been attempted by anyone other than our own service staff or authorised repair distributors.

This guarantee is offered as an extra benefit and is additional to the customers statutory rights.



ENGLISH

AFTER SALES SERVICE FOR THE BLACK & DECKER PRODUCT (UK, AUSTRALIA AND NEW ZEALAND ONLY)

Black & Decker offers a nationwide after sales service through our company operated service centres and concessionaries on the Channel Islands and Isle of Man. It is our aim to offer excellent service, fast repairs, extensive parts availability and full accessory support. The use of other than genuine Black & Decker accessories and parts may damage or reduce the performance of your Black & Decker product and may also endanger the user. The terms and conditions of the warranty may also be effected.

THE AFTER SALES SERVICE POLICY (UK, AUSTRALIA AND NEW ZEALAND ONLY)

It is our aim that all Black & Decker customers should be totally satisfied with their Black & Decker product and after sales service, but if help or advice is needed please contact the local Black & Decker service centre manager who will be happy to help. Full details of our unique after sales service can be obtained from any of our Black & Decker service centres.

ACCESSORIES

The performance of any power tool is dependant upon the accessory used. Black & Decker accessories are engineered to high quality standards and are designed to enhance the performance of your tool. Buying a Black & Decker accessory will ensure that you get the very best from your Black & Decker tool.

TECHNICAL DATA

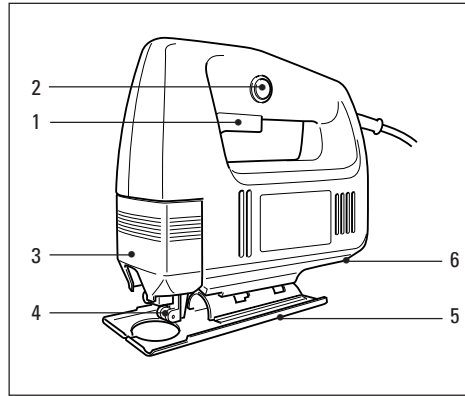
The level of sound pressure of the tool is in accordance with EEC legislation. It is recommended that you take appropriate measures for the protection of your hearing if the sound level seems uncomfortable. This normally equates to a sound pressure in excess of 85dB (A).

FEATURES

1. Trigger switch
2. Lock-on button
3. Dust shroud
4. Blade support roller
5. Shoe plate
6. Dust extraction

Your jigsaw includes some or all of these features.

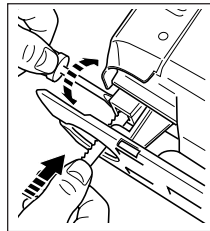
Note: This user manual also covers catalogue numbers with a letter suffix. Refer to your carton for details of your product.



FITTING THE BLADE

Manual blade change models (only use this blade type)

Disconnect your jigsaw from the power supply.



Slacken the two screws and ensuring blade teeth are facing forward, push blade shank as far as possible into the sawblade holder. Slightly tighten screws alternately to position the blade, then fully tighten screws. To release, turn

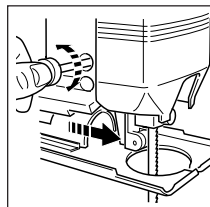
both screws one turn anti-clockwise.

All models

Note: To achieve a greater accuracy of cut, ensure back of blade is touching blade support roller. See 'Blade support roller' for instructions on how to change position of blade support roller.

BLADE SUPPORT ROLLER

To provide greater support and accuracy when cutting, your jigsaw is fitted with a blade support roller. This support should be adjusted so that the roller touches the back of the blade when cutting.



To do this, loosen the clamp screw on the side of the tool. Push the blade support forward until the roller touches the back edge of the blade. Retighten the screw. Lubricating the guide roller (4) from time to time with a drop of oil will extend the life of the roller.

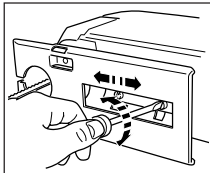


ENGLISH

OPERATING YOUR JIGSAW

To switch your jigsaw on, fully squeeze the on/off trigger switch (1). To switch your jigsaw off, release the trigger switch (1). When plugging your jigsaw in, ensure the trigger switch is in the OFF position. When continuous operation is required, squeeze the trigger and depress the lock on button (2) and release the trigger. To disengage the lock, squeeze and release the trigger. Always disengage the lock before disconnecting from the power supply.

SAW SHOE ADJUSTMENT FOR ANGULAR CUTTING

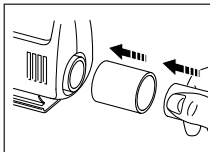


The shoe plate (5) can be angled up to 45° on either side.

To do this, disconnect your jigsaw from the power supply. Raise the dust shroud (3) and loosen both screws on the shoe plate with a screwdriver. Pull the shoe plate backward a little, and set the desired angular adjustment according to the scale or push the shoe plate forward for fixed locks at 0°,

15°, 30°, or 45°. Tighten the screws to secure. Although the scale and notches are accurate for most purposes it is advisable for very accurate angle cutting to use a protractor to set the shoe. Make a test cut on some scrap material to check the accuracy of the angle. To reset the shoe for a square cut, slacken the clamp screws and move the shoe until it is approximately 90° to the blade, and then, whilst applying slight forward pressure on the shoe, retighten the clamp screws.

DUST EXTRACTION



Your jigsaw with a hose adapter (accessory part), can be fitted to most portable vacuum cleaners. To utilise this facility push adapter into the aperture at

the rear of jigsaw and fit vacuum hose in or over the adapter, depending on the hose size. The dust shroud should be in a downwards position.

HANDY HINTS

Cutting laminates

The blades of your jigsaw cut on the upstroke so any tendency for edge splintering will occur on the face of

the material nearest the saw shoe. When sawing thin wood or plastic laminates, use a fine tooth metal cutting blade and cut from the back surface of the material. To minimise the risk of chipping the edges of plastic laminate, clamp a piece of scrap wood or hardboard to both sides of the laminate to form a sandwich, and saw through the complete assembly. Always select the right blade for the job.

Pocket cutting

The saw blade can be inserted directly into a wood surface without first drilling a pilot hole, thus eliminating a drilling operation.

First measure and clearly mark the surface to be cut. Then tip your jigsaw forward so that the rounded tips of the shoe rest on the work surface but with the blade well clear of it. Switch your jigsaw on and move the saw down until the moving blade is exactly over the chosen point of entry. Lower the rear of the shoe down towards the work slowly, maintaining a firm pivoting pressure on the shoe tips with the blade exactly on the required line. Do not move your jigsaw forward along the cut line until the saw blade has completely entered the material and the shoe comes to rest flat on its surface.

Cutting metal

Your jigsaw can be used for cutting light gauge ferrous sheet and non-ferrous metals such as copper, brass, aluminium, etc. It is advisable when cutting thin sheet to clamp a backing sheet of soft wood or plywood to the work as this will enable you to obtain a clean cut without vibration and the possibility of tearing the metal. Both metal and wood backing are sawn together. Do not force the cutting blade into the metal as this will reduce the life of the blade and possibly damage the motor. Cutting thin metal will take longer than cutting even a relatively thick piece of wood, so do not be tempted to speed up the operation by forcing the saw. Spread a thin film of oil along the proposed cutting line before commencing to saw metal. Always select the right blade for the job.

Cleaning

Disconnect your jigsaw from the power supply. Use only mild soap and a slightly damp cloth to clean your jigsaw. Many household cleaners contain chemicals which could seriously damage the plastic. Also, do not use petrol, turpentine, lacquer or paint thinners or similar products. Never let any liquid get inside the tool and never immerse any part of your jigsaw into liquid.



ENGLISH

EC DECLARATION OF CONFORMITY

We declare that unit: **CD300 KS531** conforms to
89/392/EEC, 89/336/EEC, EN55014,
73/23/EEC, EN55104, EN50144, EN61000
A weighted sound pressure 96dB (A)
A weighted sound power 109dB (A)
Hand/arm weighted vibration 5m/s²

Brian Cooke - Director of Engineering
Black & Decker Ltd, Spennymoor, County Durham
DL16 6JG United Kingdom

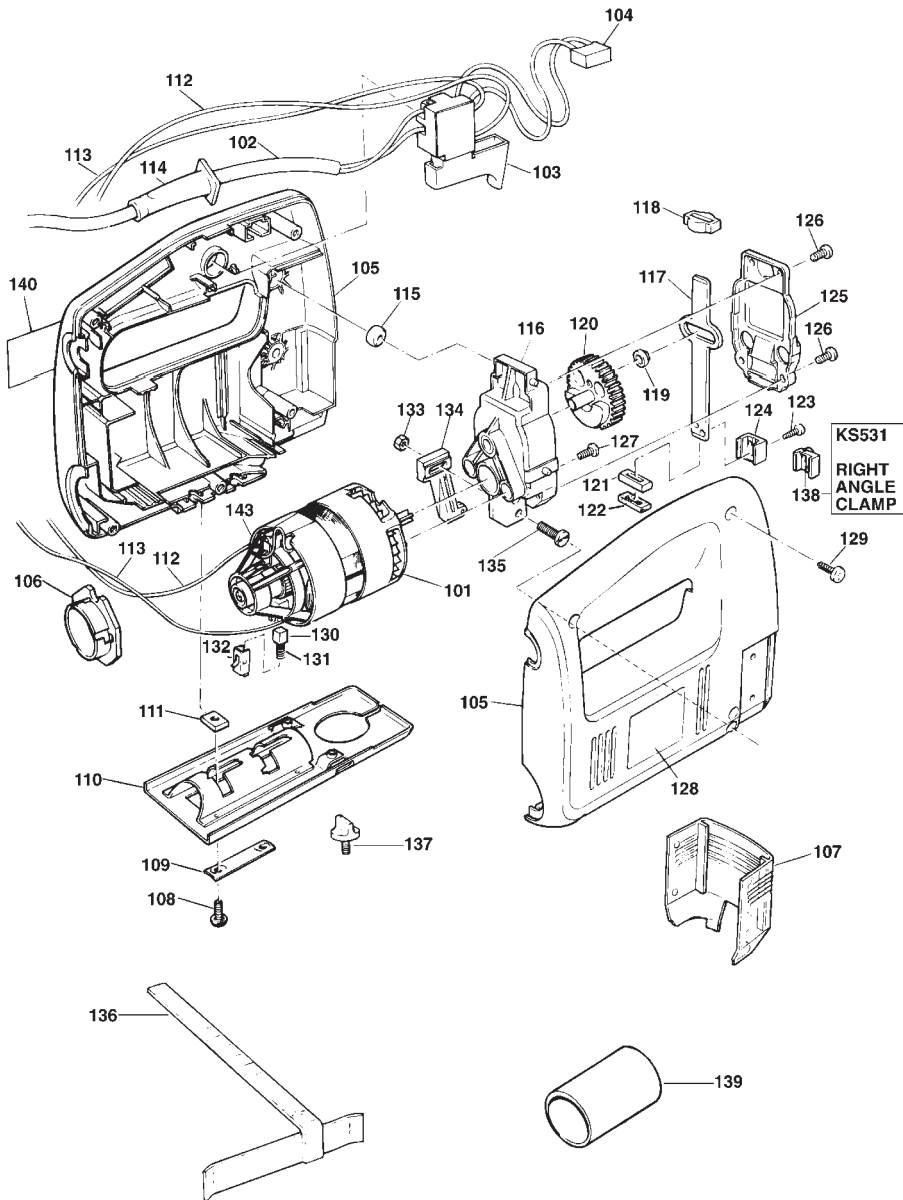
The Black & Decker policy is one of continuous
improvement to our product and as such we reserve
the right to change the product specification without
prior notice.





KS531 CD300

TYP.
1



E10926 / 574745-00

25-01-00 CW





Australia	Black & Decker (A'asia) Pty Ltd 286-288 Maroondah Highway North Croydon, Victoria 3136	Tel: 03 9213 8200 Fax: 03 9726 7150
New Zealand	Black & Decker 483 Great South Road, Penrose, Auckland	Tel: 09 579 7600 Fax: 09 579 8200
South Africa	Black & Decker South Africa (Pty) Ltd Suite no 107, PostNet X65, Halfway House 1685	Tel: 011 314 4431 Fax: 011 314 4435
United Kingdom	Black & Decker 210 Bath Road, Slough Berkshire SL1 3YD	Tel: 01753 574277 Tlx: 848317 BAND MH Fax: 01753 551155

Part no: 809614-15 10/00.9



Date of your purchase:

Address of the dealer where your jigsaw was purchased:

	Yes	No
<input type="checkbox"/>	<input type="checkbox"/>	<input type="checkbox"/>
<input type="checkbox"/>	<input type="checkbox"/>	<input type="checkbox"/>
<input type="checkbox"/>	<input type="checkbox"/>	<input type="checkbox"/>

Was your jigsaw a gift?

Was your jigsaw your first purchase?

Was your jigsaw bought as a replacement?

What was the price of your jigsaw? _____

Address of the dealer where your jigsaw was purchased:

Name: _____

House number or name and street: _____

Town: _____

County or state: _____

Postcode: _____

Country: _____

Product catalogue number: **KS531/** _____

Data protection act: Tick this box if you prefer **not** to receive information from Black & Decker or other companies.





GUARANTEE CARD

Australia: Call 1 900 937766 (the maximum call charge is \$2.00 excluding tax)

New Zealand: Call 0900 97766 (the maximum call charge is \$2.00 excluding tax)

South Africa: Black & Decker South Africa (Pty) Ltd, Suite no 107, PostNet X65, Halfway House 1685

United Kingdom & Ireland: PO Box 821, Slough, Berkshire, SL1 3AR



Please complete this section immediately after the purchase of your jigsaw and post it to the Black & Decker address in your country (above).

If you live in Australia or New Zealand, please register your purchase by phone.

