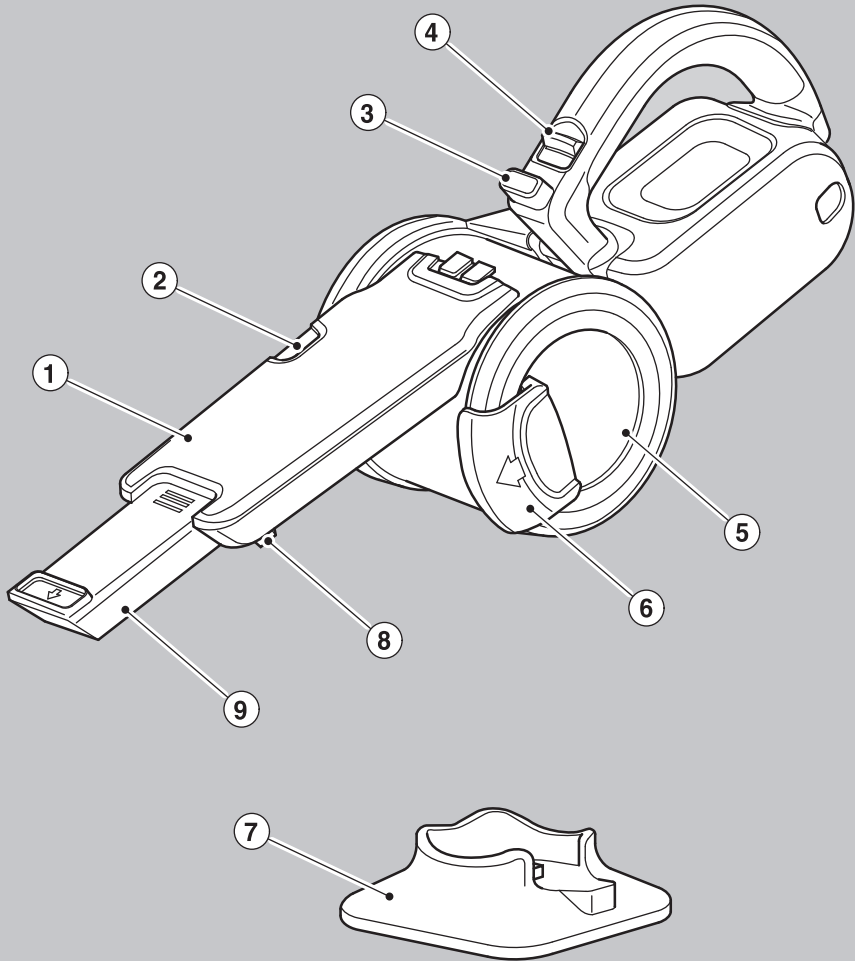




BLACK & DECKER®

Powerful Solutions™

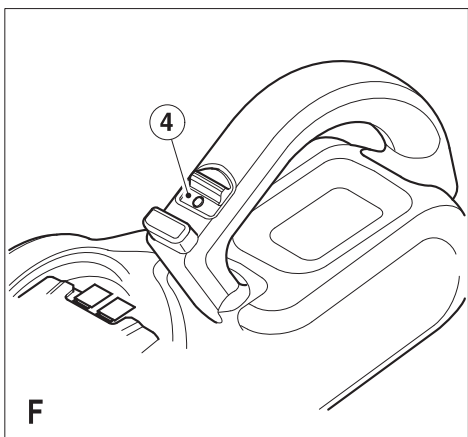
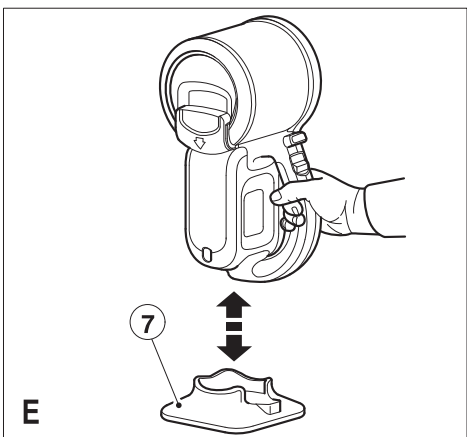
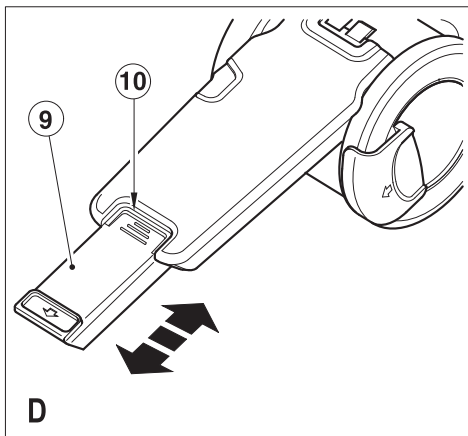
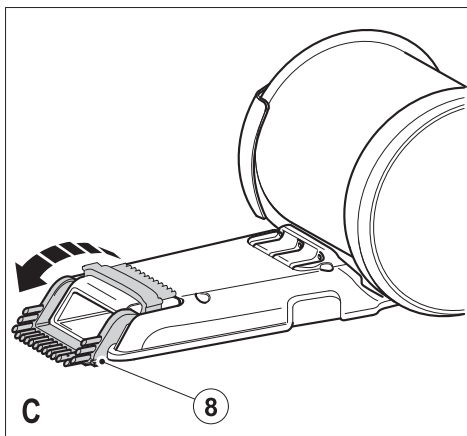
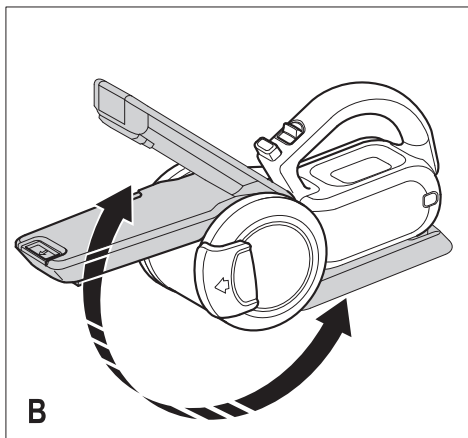
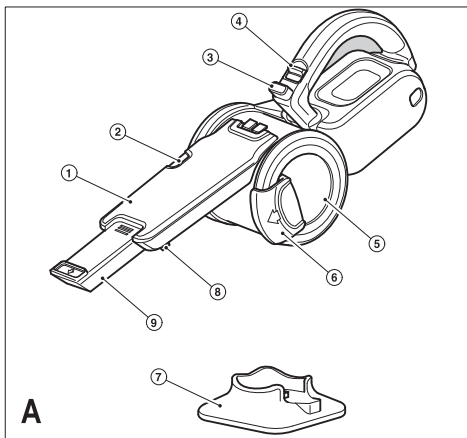
www.blackanddecker.com

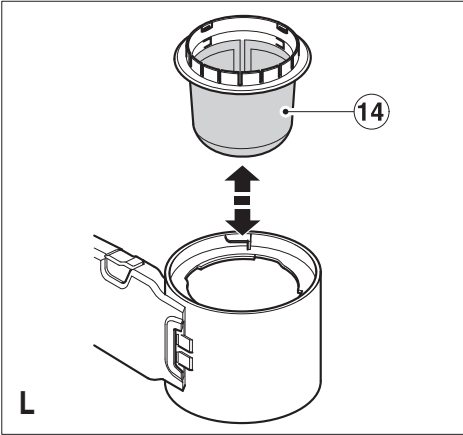
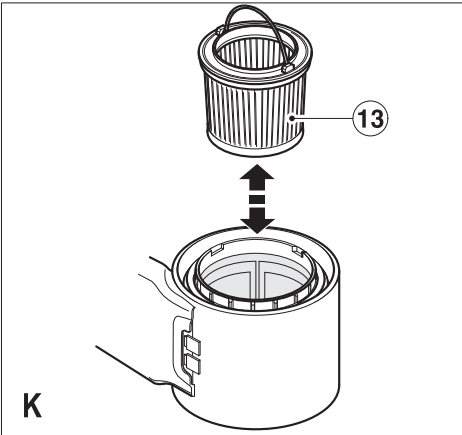
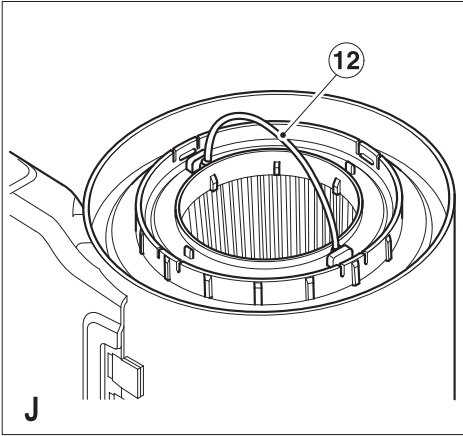
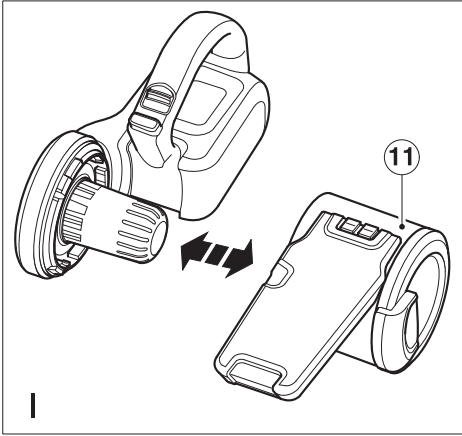
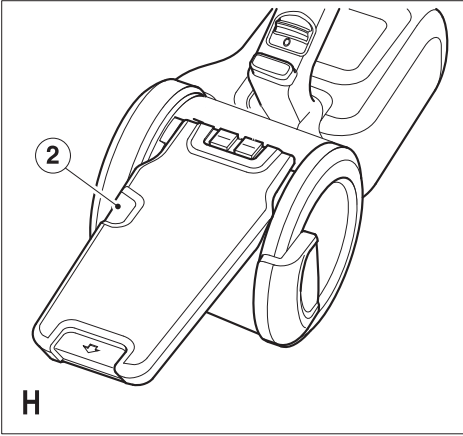
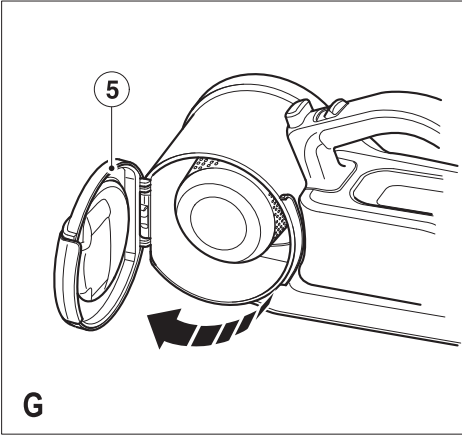


PV1210

English
简体中文

3
8





PV1210 HAND HELD VACUUM

TECHNICAL DATA

		PV1210
Voltage	V	12
Weight	kg	1.58
Charger		CD120015D
Input Voltage	Vac	220

INTENDED USE

Your Black & Decker Dustbuster® hand held vacuum cleaner has been designed for light dry vacuum cleaning purposes. This appliance is intended for household use only.

GENERAL SAFETY RULES

⚠ Warning! When using mains-powered/cordless appliances, basic safety precautions, including the following, should always be followed to reduce the risk of fire, electric shock, personal injury and material damage.

- Read all of this manual carefully before using the appliance.
- The intended use is described in this manual. The use of any accessory or attachment or the performance of any operation with this appliance other than those recommended in this instruction manual may present a risk of personal injury.

The term "appliance" in the warnings refers to your mains-operated (corded) appliance or battery-operated (cordless) appliance.

SAVE ALL WARNINGS AND INSTRUCTIONS FOR FUTURE REFERENCE.

1. Work area safety

Always take care when using the appliance.

- a. **Keep work area clean and well lit.** Cluttered or dark areas invite accidents.
- b. Only use the appliance in daylight or good artificial light.
- c. Do not operate your appliance in explosive atmospheres, such as in the presence of flammable liquids, gases or dust.
- d. Never allow children or people unfamiliar with the instructions to use the appliance.
- e. Do not allow children or animals to come near the work area or touch the appliance supply cord.
- f. Keep children, bystanders and animals away while operating an appliance. Distractions can cause you to lose control.

- g. The appliance is not to be used as a toy.
- h. Do not immerse the appliance in water.
- i. Do not open body casing. There are no user-serviceable parts inside.

2. Electrical safety

- a. **Appliance plugs must match the outlet. Never modify the plug in any way.** Do not use any adapter plugs with earthed (grounded) power tools. Unmodified plugs and matching outlets will reduce risk of electric shock.
- b. **Avoid body contact with earthed or grounded surfaces, such as pipes, radiators, ranges and refrigerators.** There is an increased risk of electric shock if your body is earthed or grounded.
- c. **Do not expose appliance to rain or wet conditions.** Water entering a power tool will increase the risk of electric shock.
- d. **Do not abuse the cord. Never use the cord for carrying, pulling or unplugging the appliance. Keep cord away from heat, oil, sharp edges or moving parts.** Damaged or entangled cords increase the risk of electric shock.
- e. **When operating an appliance outdoors, use an extension cord suitable for outdoor use.** Use of a cord suitable for outdoor use reduces the risk of electric shock.
- f. **If operating a power tool in a damp location is unavoidable, use a residual current device (RCD) protected supply.** Use of an RCD reduces the risk of electric shock.

3. Personal safety

- a. **Stay alert, watch what you are doing and use common sense when operating a power tool. Do not use a power tool while you are tired or under the influence of drugs, alcohol or medication.** A moment of inattention while operating power tools may result in serious personal injury.
- b. **Use personal protective equipment. Always wear eye protection.** Protective equipment such as dust mask, non-skid safety shoes, hard hat, or hearing protection used for appropriate conditions will reduce personal injuries.
- c. **Prevent unintentional starting. Ensure the switch is in the off-position before connecting to power source and/or battery pack, picking up or carrying the tool.** Carrying power tools with your finger on the switch or energising power tools that have the switch on invites accidents.
- b. **Remove any adjusting key or wrench before turning the power tool on.** A wrench or a key left attached to a rotating part of the power tool may result in personal injury.

- c. **Do not overreach. Keep proper footing and balance at all times.** This enables better control of the power tool in unexpected situations.
- d. **Dress properly. Do not wear loose clothing or jewellery. Keep your hair, clothing and gloves away from moving parts.** Loose clothes, jewellery or long hair can be caught in moving parts.
- e. **If devices are provided for the connection of dust extraction and collection facilities, ensure these are connected and properly used.** Use of dust collection can reduce dust-related hazards.

4. Appliance use and care

- a. **Before use, check the appliance for damaged or defective parts.** Check for breakage of parts, damage to switches and any other conditions that may affect its operation.
- b. **Do not use the appliance if the switch does not turn it on and off.** Any appliance that cannot be controlled with the switch is dangerous and must be repaired.
- c. **Disconnect the plug from the power source and/or the battery pack from the appliance before making any adjustments, changing accessories, or storing appliances.** Such preventive safety measures reduce the risk of starting the appliance accidentally.
- d. Where applicable, keep cutting tools sharp and clean. Properly maintained cutting tools with sharp cutting edges are less likely to bind and are easier to control.
- e. Do not use the appliance if any part is damaged or defective.
- f. Have any damaged or defective parts repaired or replaced by an authorised repair agent.
- g. Never attempt to remove or replace any parts other than those specified in this manual.

5. Battery tool use and care

- a. **Ensure the switch is in the off position before inserting battery pack.** Inserting the battery pack into appliance that have the switch on invites accidents.
- b. **Recharge only with the charger specified by the manufacturer.** A charger that is suitable for one type of battery pack may create a risk of fire when used with another battery pack.
- c. **Use appliance only with specifically designated battery packs.** Use of any other battery packs may create a risk of injury and fire.
- d. **When battery pack is not in use, keep it away from other metal objects like paper clips, coins, keys, nails, screws, or other small metal objects that can make a connection from one terminal to another.** Shorting the battery terminals together may cause burns or a fire.
- e. **Under abusive conditions, liquid may be ejected from the battery; avoid contact. If**

contact accidentally occurs, flush with water. If liquid contacts eyes, additionally seek medical help. Liquid ejected from the battery may cause irritation or burns.

6. Service

- a. **Have your appliance serviced by a qualified repair person using only identical replacement parts.** This will ensure that the safety of the power tool is maintained.

After use

- When not in use, the appliance should be stored in a dry, well ventilated place out of the reach of children.
- Children should not have access to stored appliances.
- When the appliance is stored or transported in a vehicle it should be placed in the boot or restrained to prevent movement following sudden changes in speed or direction.

Safety of others

- This appliance is not intended for use by persons (including children) with reduced physical, sensory or mental capabilities, or lack of experience and knowledge, unless they have been given supervision or instruction concerning the use of the appliance by a person responsible for their safety.
- Children should be supervised to ensure that they do not play with the appliance.

ADDITIONAL SAFETY INSTRUCTIONS FOR BATTERIES AND CHARGERS

Batteries

- Never attempt to open for any reason.
- Do not expose the battery to water.
- Do not expose the battery to heat.
- Do not store in locations where the temperature may exceed 40°C. Charge only at ambient temperatures between 10°C and 40°C.
- Charge only using the charger provided with the appliance/tool. Using the wrong charger could result in an electric shock or overheating of the battery.
- When disposing of batteries, follow the instructions given in the section "Protecting the environment".
- Do not damage/deform the battery pack either by puncture or impact, as this may create a risk of injury and fire.
- Do not charge damaged batteries.
- Under extreme conditions, battery leakage may occur. When you notice liquid on the batteries carefully wipe the liquid off using a cloth. Avoid skin contact.
- In case of skin or eye contact, follow the instructions below.

Warning! The battery fluid may cause personal injury or damage to property. In case of skin contact, immediately

immediately rinse with water. If redness, pain or irritation occurs seek medical attention. In case of eye contact, rinse immediately with clean water and seek medical attention.

Chargers

Your charger has been designed for a specific voltage. Always check that the mains voltage corresponds to the voltage on the rating plate.


Warning! Never attempt to replace the charger unit with a regular mains plug.

- Use your Black & Decker charger only to charge the battery in the appliance/tool with which it was supplied. Other batteries could burst, causing personal injury and damage.
- Never attempt to charge non-rechargeable batteries.
- If the supply cord is damaged, it must be replaced by the manufacturer or an authorised Black & Decker Service Centre in order to avoid a hazard.
- Do not expose the charger to water.
- Do not open the charger.
- Do not probe the charger.

The appliance/tool/battery must be placed in a well ventilated area when charging.

SYMBOLS ON THE CHARGER

The following symbols are found on your charger:

 Your charging base is double insulated; therefore no earth wire is required. Always check that the power supply corresponds to the voltage on the rating plate.

 Safety isolating transformer. The mains supply is electrically separated from the transformer output.

 The charging base is intended for indoor use only.

FEATURES (FIG. A)

1. Dust collector
2. Dust container release button
3. Pivot lock button
4. On/off switch
5. Container door
6. Container door release latch
7. Charging base
8. Flip-out brush
9. Dust collector extension

ASSEMBLY AND ADJUSTMENT

Adjusting the dust collector (fig. B-D)

- The dust collector (1) has a brush that can be folded forward for dusting and upholstery cleaning. The dust collector (1) is stored under the appliance. To adjust for use, lift the appliance from the charging base(7).

- Press the pivot lock button (3) and rotate the dust collector (1) to the required position.
- Release the pivot lock button (3) to lock the dust collector in position.
- The dust collector can be extended by pulling the dust collector extension (9) until it locks into position.
- The extension can be retracted by pressing the button (10) and pushing the extension back into the dust collector.
- The dust collector should be returned to the storage position under the appliance after use and while charging the appliance.

USE

- Before first use, the battery must be charged for at least 24 hours.
- Place the appliance on the charging base whenever it is not in use.

Charging the battery (fig. E)

- Make sure that the appliance is switched off. The battery will not be charged with the on position.
- Place the appliance on the charging base (7) as shown.
- Plug in the charger. Switch on at the mains.

The charging indicator will be lit.

- Leave the appliance to charge for at least 24 hours. While charging, the charger may become warm. This is normal and does not indicate a problem. The appliance can be left connected to the charger indefinitely. The charging indicator will be lit as long as the appliance is connected to the plugged-in charger.

Warning! Do not charge the battery at ambient temperatures below 10°C or above 40°C.

Switching on and off (fig. F)

- To switch the appliance on, slide the on/off switch (4) forward to position "I".
- To switch the appliance off, slide the on/off switch (4) back to position "O".

Optimising the suction force (fig. H - J)

In order to keep the suction force optimised, the filters must be cleared regularly during use.

- Press the release latch (6) and open the container door(5) (fig. G).
- Empty the dust container.

MAINTENANCE

Your Black & Decker appliance has been designed to operate over a long period of time with a minimum of maintenance.

Continuous satisfactory operation depends upon proper care and regular cleaning.

- Regularly clean the ventilation slots in your appliance using a soft brush or dry cloth.

- Regularly clean the motor housing using a damp cloth. Do not use any abrasive or solvent-based cleaner. Never let any liquid get inside the tool and never immerse any part of the appliance into liquid.

Cleaning

Rotating the bowl (fig. B) agitates the filter to remove dirt. It is important however to empty the bowl regularly by removing the filters (fig. K).

Warning! Regularly clean the filters (12 & 13).

Cleaning the dust container and filters (fig. H - L)

There are two methods of cleaning the bowl, a quick empty method and a thorough clean method. To carry out the quick empty method use the following instructions.

The filters are re-usable and should be cleaned regularly.

- Press the release latch (6) and open the container door(5) (fig. G).
- Empty the dust container (11).
- Close the dust container door (5). Make sure that the release latch (6) clicks into place.

To carry out a thorough clean of the bowl, use the following instructions.

The dust container (11) is attached to the body of the appliance with a bayonet fixing, to remove the dust container:

- Press the dust container release button (2) and rotate the dust container (11) anti-clockwise and carefully slide the dust container clear of the appliance.
- Rotate the filter hook (12) to the vertical position (fig.J).
- Use the filter hook (12) to rotate the filter (13) within the pre-filter (14) to agitate it and remove dirt.
- Remove the main filter (13).
- Brush any loose dust off the filter (13).

The pre-filter (14) is attached with a bayonet fixing, to remove the pre-filter:

- Rotate the pre-filter (14) anti-clockwise and carefully slide the it clear of the dust container.
- Install the pre- filter (14) in to the dust container (11) rotating it clockwise until it locks into place.
- Install the main filter (13) in to the pre-filter (14).
- Install the dust container (11) to the appliance, rotate it clockwise until it locks into place.

Warning! Never use the appliance without the filters. Optimum dust collection will only be achieved with clean filters.

Replacing the filters

The filters should be replaced every 6 to 9 months and whenever worn or damaged. Replacement filters are available from your Black & Decker dealer (cat. no. VF90):

- Remove the old filters as described above.
- Fit the new filters as described above.

Important

To ensure product SAFETY and RELIABILITY, repairs, maintenance and adjustment (other than those listed in this manual) should be performed by authorized service centers or other qualified organizations, always-using identical replacement parts. Unit contains no user serviceable parts inside.

PROTECTING THE ENVIRONMENT



Separate collection. This product must not be disposed of with normal household waste.

Should you find one day that your Black&Decker product needs replacement, or if it is of no further use to you, do not dispose of it with household waste. Make this product available for separate collection.



Separate collection of used products and packaging allows materials to be recycled and used again.

Re-use of recycled materials helps prevent environmental pollution and reduces the demand for raw materials. If necessary, contact your local municipality for proper disposal instructions in your city/town.

Batteries

Black&Decker batteries can be recharged many times. At the end of their useful life, discard batteries with due care for our environment:

Run the battery down completely, and then remove it from the tool.

NiCd and NiMH batteries are recyclable. Take them to a local recycling station.

NOTE

- Black & Decker's policy is one of continuous improvement to our products and, as such, we reserve the right to change product specifications without prior notice.
- Standard equipment and accessories may vary by country.
- Product specifications may differ by country.
- Complete product range may not be available in all countries. Contact your local Black & Decker dealers for range availability.

PV1210 手提式真空吸尘器

技术参数

		PV1210
电压	伏	12
重量	千克	1.58
充电器		CD120015D
输入电压	伏 (交流)	220

设计用途

本百得Dustbuster®手提式真空吸尘器的设计用途是干燥条件下的轻型真空吸尘。本工具仅限家用。

安全须知

警告：当使用充电电器用品，应遵守下列的基本安全措施以减低火灾、电源泄漏、人身伤害及物件损坏的危险。

使用前应通读下列所有指示。

本吸尘器的设计用途已在本说明书中列明，使用任何非本说明书推荐的配件、或以本吸尘器作为设计用途以外的用途，将会构成人身伤害的危险。

请保留本说明书以作日后参考。

使用守则

- 操作时吸尘器的吸尘口及散热口不可与眼睛或耳朵接近。
- 切勿让吸尘器暴露在雨中。
- 切勿使用无滤尘网的吸尘器。滤尘网若损坏，请及时更换。
- 切勿伸展过远操作，在楼梯上吸尘时应格外小心。双脚站稳，随时保持平衡。
- 切勿使用吸尘器吸正在燃烧或冒烟的东西，如烟蒂、火柴或热的灰烬。
- 切勿在有易爆或易燃的物体或液体附近操作吸尘器。马达所产生的火花会点燃火种。
- 切勿用吸尘器来吸取有毒物质或如汽油等的易燃液体，也不可在这些易燃液体可能存在的地方吸尘或吸液体。
- 切勿让小孩把本产品视为玩具，当本产品在接近小孩的地方使用、或小孩在使用时，成人应紧贴监督。
- 只可如本说明书所述使用本产品，只可使用厂商推荐的附件。
- 请马上停止使用有下列情况的吸尘器：电源线或充电插头损坏、吸尘器不能正常操作、曾掉在地上、遗留在室外、掉入水中或遭受任何损坏：应把它送往维修。
- 切勿把外物放在吸尘器的任何孔中。切勿使用任何已堵塞的吸尘器：吸尘器的孔洞应无

尘、亚麻布、头发及任何会阻碍空气流动的外物。

- 应把头发、宽松的衣服、手指或身体任何一部份远离开启的或移动的部件。
- 手湿时切勿触摸充电插头或电气。
- 切勿猛力拉扯电线以使充电器插座脱离电源、或使充电接头脱离吸尘器，应紧握充电器插座或充电接头然后把它拔出。充电器（包括插座、电线及充电接头）应远离热源、油脂及尖锐的边缘。
- 应关掉吸尘器才装上配件。
- 切勿为接上电源的充电用品吸尘。
- 切勿使用下列任何情况的吸尘器，电线或充电器损坏、发现机件故障、遗留在室外、曾点在水中或有任何损坏：请把吸尘器送往维修。
- 只可吸干物的吸尘器，切勿在室外使用或用它吸取液体；干湿两用吸尘器也不可在室外使用。
- 切勿让电源悬挂在枕边或接触热的表面，本吸尘器应放置或悬挂在远离水槽或热的地方。
- 切勿试图吸取尖锐的物件以致损坏吸尘器或滤尘网。
- 在楼梯上吸尘时应格外小心。

检查与维修

- 使用前，检查工具是否受损或存在缺陷部件。检查部件是否破裂、开关是否损坏，是否存在影响使用的其它情况。
 - 如果部件损坏或存在缺陷，切勿使用工具。
 - 损坏或缺陷部件必须交由授权维修代理处维修与更换。
- 定期检查充电器导线是否损坏。如有损坏与缺陷，请更换充电器。
- 禁止试图拆卸或更换本手册规定之外的任何部件。

电池组和充电器安全附则

电池

- 禁止以任何理由试图打开电池。
- 禁止与水接触。
- 禁止受热。
- 禁止存放在温度可能超过40°C的地点。仅在10到40°C的环境温度范围内充电。
- 仅使用随工具配备的充电器。误用充电器会导致触电或电池过热。
- 丢弃电池时，请遵守“保护环境”章节中的规定。
- 禁止捅刺或碰撞，以防止电池组损坏/变形，否则会造成人身伤害及火灾。
- 损坏的电池禁止充电。
- 在极端条件下，电池会泄露。发现电池上出现液体时，请用布仔细擦拭，避免皮肤接触。

- 一旦皮肤接触或进入眼睛，请按照如下步骤处理。

警告！ 电池会导致人身伤害或财产损失。如果不慎接触到皮肤，应立即用水冲洗。如果皮肤红肿、疼痛或过敏，请立即就医。如果不慎进入眼睛，立时使用大量的洁净水冲洗并就医。

充电器

充电器根据特定电压设计。请随时检查主电网电压是否与标牌上的电压一致。




警告！ 切勿将充电器单元改造成普通电源插头。

- 本百得充电器仅限于随电器/工具提供的电池充电。如用于其它电池，会导致电池爆炸，造成人身伤害与损坏。
- 严禁给非充电电池充电。
- 电源线损坏时，为排除隐患，必须由制造商或百得授权的服务中心更换。
- 禁止暴露在水中。
- 请勿打开充电器。
- 请勿使用探针等查探充电器。

充电时，电器/工具/电池必须置于通风良好的环境中。

充电器上的标志

充电器上有如下标志：

-  本充电座为双重绝缘，因此无须接地线。使用前，切记检查并确保电源电压与铭牌上的使用电压相符。
-  安全隔离型变压器。主电网与变压器输出的电气系统是隔离的。
-  本充电座仅限室内使用。

部件名称 (图A)

- 吸尘嘴
- 集尘室释放按钮
- 转轴锁定按钮
- On/off开关
- 集尘室端盖
- 集尘室端盖卡扣
- 充电座
- 可折叠细缝刷
- 可伸缩细缝吸头

组装与调节

调节吸尘嘴 (图B-D)

- 吸尘嘴 (1) 上有可以向前展开的刷子，用于吸尘和室内装饰品清洁。吸尘嘴 (1) 停放于工具下方。调节使用时，从充电座 (7) 上拿起工具。
- 按下转轴锁定按钮 (3)，同时把吸尘嘴 (1) 旋转到所需位置。

- 释放转轴锁定按钮 (3)，把吸尘嘴锁定到位。
- 把可伸缩细缝吸头 (9) 向外拉，直至锁定到位，就可以延长吸尘嘴。
- 按下按钮 (10)，同时把可伸缩细缝吸头推回吸尘嘴，就能够把可伸缩细缝吸头收起。
- 使用完毕或充电时，应把吸尘嘴恢复到停放位置。

使用步骤

- 首次使用前，电池必须充电至少24小时。
- 未使用时，务必将工具置于充电座上。

电池充电 (图E)

- 确保工具开关关闭。开关打开状态下，电池不能充电。
- 把工具置于充电座 (7) 上，如图所示。
- 插上充电器插头。打开主电网电源。充电指示灯亮。
- 让工具充电至少24小时。充电时，充电器可能变热。这是正常现象，并非故障。工具可无限制地连接到充电器上。只要工具置于充电器上并且充电器插头处于接通状态，充电指示灯会亮。

警告！ 环境温度低于10°C或高于40°C时，切勿充电。

打开与关闭 (图F)

- 要打开工具，把On/off开关 (4) 向前滑动到“1”位置即可。
- 要关闭工具，把On/off开关 (4) 向后滑动到“0”位置即可。

吸尘力优化 (图H-J)

为了达到最佳吸尘力，使用过程中必须定期清洁过滤器。

- 按下释放卡扣 (6)，打开集尘室端盖 (5) (图G)。
- 清空集尘室。

维护

您的百得吸尘器设计精良，可以长期运作，而只需极少的维护。

要取得连续的令人满意的工作效果，需要您做合适的保养和定期的清洁。

- 请定期用软干刷或干抹布清洁工具通风口。
- 定期使用干净的湿抹布清洁马达外壳。请勿使用任何研磨型或溶剂型清洁剂。工具内部切勿进入任何液体，禁止将工具的任何部分浸入液体中。

清洁

旋转滚筒（图B），以搅动过滤器，使灰尘分离。但关键是要定期取下过滤器并清空滚筒（图K）。
警告！请定期清洁过滤器（12和13）。

清洁集尘室和过滤器（图H-L）

过滤器可以重复使用，应定期清洁。

有两种方法清洁滚筒，一种是快速清空法，一种是彻底清洁法。快速清空步骤如下。

- 按下释放卡扣（6），打开端盖（5）（图G）。
- 清空集尘室（11）。
- 关闭集尘室端盖（5）。确保释放卡扣（6）锁定到位。

彻底清洁滚筒的步骤如下。

集尘室（11）采用卡口固定到工具上；要取下集尘室：

- 按下集尘室释放按钮（2），同时逆时针旋转集尘室（11），小心地滑动集尘室，与工具脱离。
- 旋转过滤器卡钩（12）到垂直位置（图J）。
- 使用过滤器卡钩（12）在预过滤器（14）中旋转过滤器（13），使灰尘分离。
- 取下主过滤器（13）。
- 用刷子清除过滤器（13）上松散的灰尘。

预过滤器（14）采用卡口固定到工具上，其拆卸步骤如下：

- 逆时针旋转预过滤器（14），小心地滑动使其脱离集尘室。
- 把预过滤器（14）安装到集尘室（11）上，顺时针旋转，直至锁定到位。
- 把主过滤器（13）安装到预过滤器（14）中。
- 把集尘室（11）安装到工具上，顺时针旋转，直至锁定到位。

警告！禁止在无过滤器的情况下使用工具。只有洁净的过滤器才能达到最佳吸尘效果。

更换过滤器


每6到9个月，或当过滤器磨损、损坏时，即应更换过滤芯。百得零售商可提供过滤器备件（商品编号：VF90）：

- 上述步骤取下旧滤芯。
- 上述步骤安装新滤芯。

重要提示

为了确保本产品的安全性和可靠性，工具的维修、维护和调整（本手册列出的调整除外）应由授权服务中心或其它合格机构进行，并始终使用相同的备件。工具内不含任何用户可以维修的零件。

保护环境

 分类回收。此类产品不得和普通家庭垃圾一起处理。

当您的百得产品需要更换或不再使用时，请不要把它和家庭垃圾一起处理。把该产品单独分类回收。



旧产品和旧包装的分类回收使材料能够得以再循环和再利用。再循环材料的重新利用有助于防止环境污染和减少原料需求。必要时，请联系所在市/镇的当地市政府，咨询相关处理法规。

电池组

百得电池可以多次充电。其使用寿命终结时，要小心处理，注意保护环境：

把电池组电力完全耗尽，然后从工具上取下。

NiCd和NiMH电池是可以回收的。把它们送往经销商或者本地的回收站。

说明

- 百得的政策之一就是产品的持续改进，因此，我们保留改变产品规格的权利，恕不另行通知。
- 供应各国的标准设备与配件不尽相同。
- 供应各国的产品规格不尽相同。
- 并非所有国家均有全系列的产品。请向当地的百得网点咨询可用的型号。

