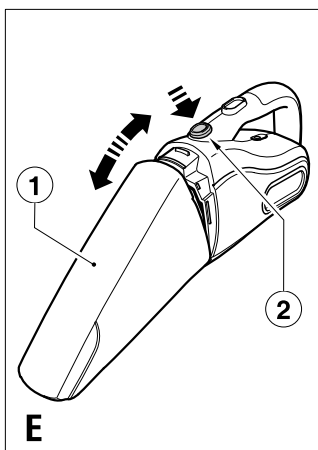
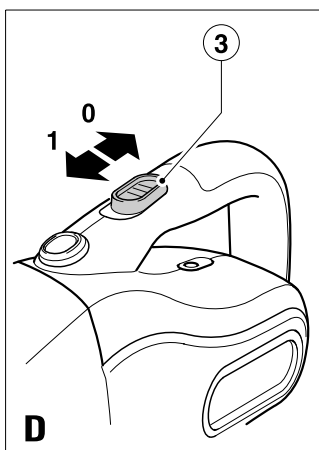
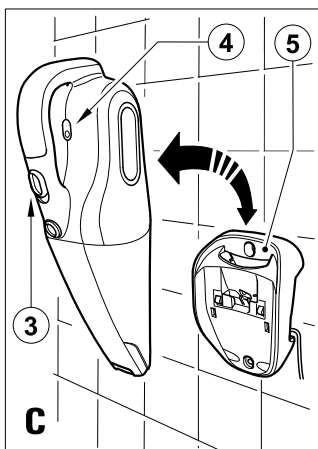
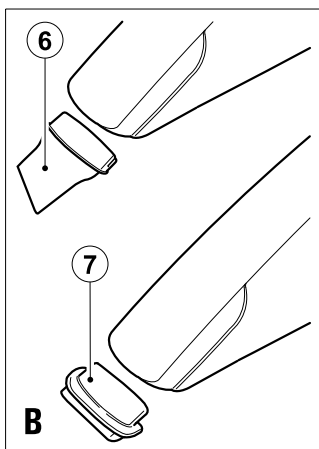
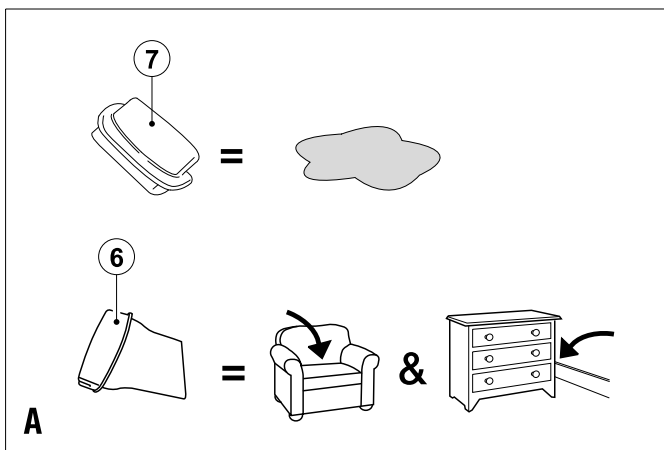
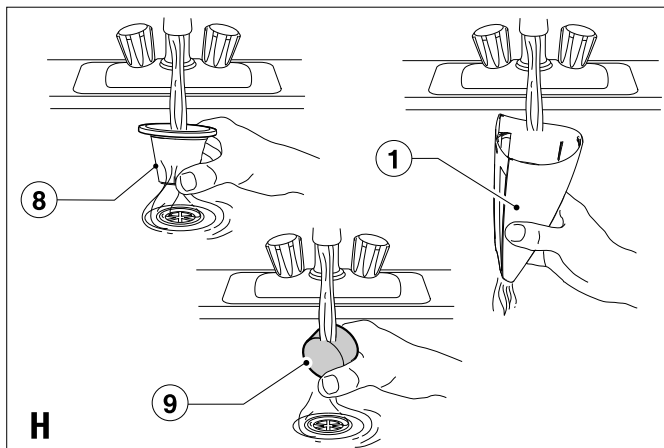
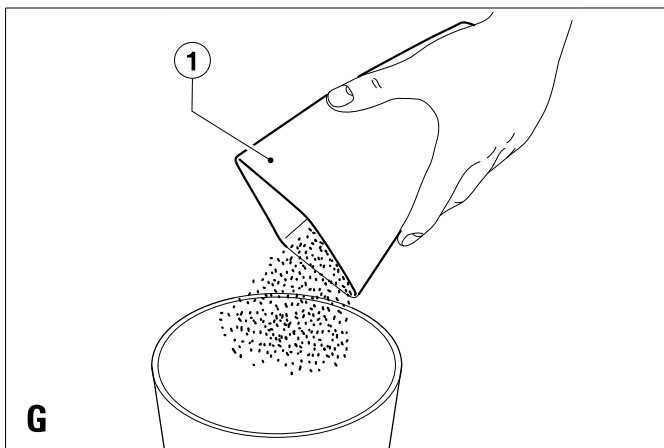
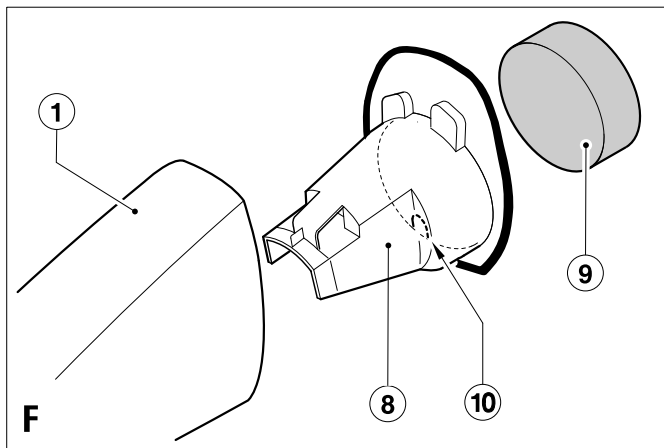
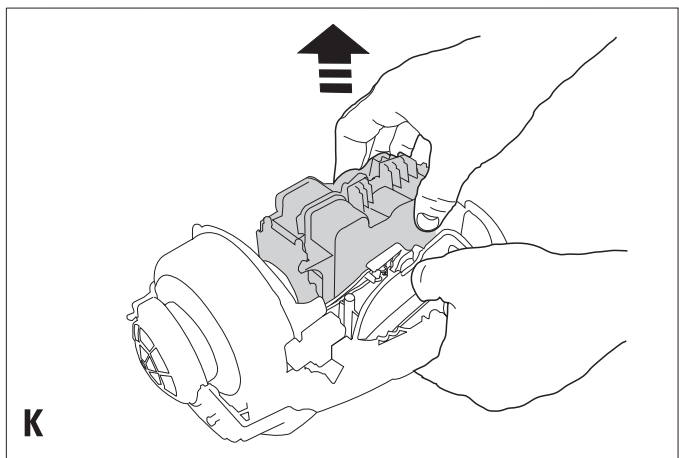
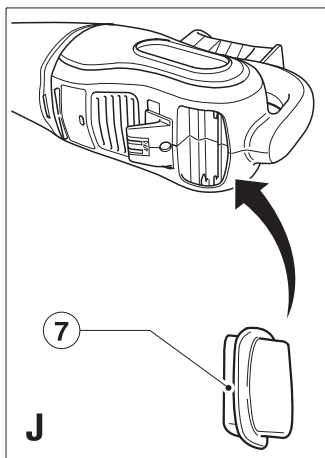
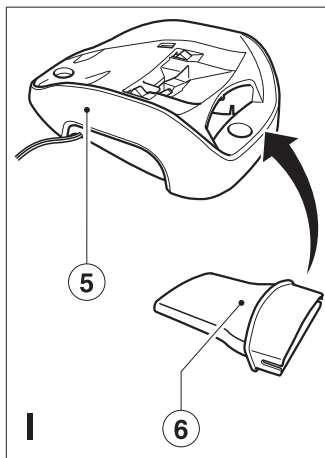


English	(Original instructions)	6
Deutsch	(Übersetzung der ursprünglichen Anweisungen)	12
Français	(Traduction des instructions initiales)	19
Italiano	(Traduzione del testo originale)	26
Nederlands	(Vertaling van de originele instructies)	33
Español	(Traducción de las instrucciones originales)	39
Português	(Tradução das instruções originais)	46
Svenska	(Översättning av originalanvisningarna)	52
Norsk	(Oversettelse av de opprinnelige instruksjonene)	58
Dansk	(Oversættelse af de oprindelige instruktioner)	64
Suomi	(Alkuperäisten ohjeiden käännös)	70
Ελληνικά	(Μετάφραση των πρωτότυπων οδηγιών)	76
Türkçe	(Orijinal talimatların Çeviri)	83







Intended use

Your Black & Decker Dustbuster® hand-held vacuum cleaner has been designed for light wet or dry vacuum cleaning purposes. This appliance is intended for household use only.

Design and Patent information

EC Design Registration Numbers:

- ◆ 607643-0001
- ◆ 607668-0001
- ◆ 607650-0001

Safety instructions

Warning! When using battery-powered appliances, basic safety precautions, including the following, should always be followed to reduce the risk of fire, leaking batteries, personal injury and material damage.

- ◆ Read all of this manual carefully before using the appliance.
- ◆ The intended use is described in this manual. The use of any accessory or attachment or the performance of any operation with this appliance other than those recommended in this instruction manual may present a risk of personal injury.
- ◆ Retain this manual for future reference.

Using your appliance

- ◆ Do not use the appliance to pick up liquids or any materials that could catch fire.
- ◆ This product is designed for light spills only. It must be emptied regularly to avoid over filling.
- ◆ Do not immerse the appliance in water.
- ◆ Never pull the charger lead to disconnect the charger from the socket. Keep the charger lead away from heat, oil and sharp edges.
- ◆ This appliance is not intended for use by young or infirm persons without supervision. Children must be supervised to ensure they do not play with the appliance.

After use

- ◆ Unplug the charger before cleaning the charger or charging base.
- ◆ When not in use, the appliance should be stored in a dry place.
- ◆ Children should not have access to stored appliances.

Inspection and repairs

- ◆ Before use, check the appliance for damaged or defective parts. Check for breakage of parts, damage to switches and any other conditions that may affect its operation.
- ◆ Do not use the appliance if any part is damaged or defective.
- ◆ Have any damaged or defective parts repaired or replaced by an authorized repair agent.
- ◆ Regularly check the charger lead for damage. Replace the charger if the lead is damaged or defective.
- ◆ Never attempt to remove or replace any parts other than those specified in this manual.

Safety of others

- ◆ This appliance is not intended for use by persons (including children) with reduced physical, sensory or mental capabilities, or lack of experience and knowledge, unless they have been given supervision or instruction concerning the use of the appliance by a person responsible for their safety.
- ◆ Children should be supervised to ensure that they do not play with the appliance.

Additional safety instructions - batteries and chargers

Batteries

- ◆ Never attempt to open for any reason.
- ◆ Do not expose the battery to water.
- ◆ Do not expose the battery to heat.
- ◆ Do not store in locations where the temperature may exceed 40°C.
- ◆ Charge only at ambient temperatures between 10°C and 40°C.

- ◆ Charge only using the charger provided with the appliance/tool. Using the wrong charger could result in an electric shock or overheating of the battery.
- ◆ When disposing of batteries, follow the instructions given in the section "Protecting the environment".
- ◆ Do not damage/deform the battery pack either by puncture or impact, as this may create a risk of injury and fire.
- ◆ Do not charge damaged batteries.
- ◆ Under extreme conditions, battery leakage may occur. When you notice liquid on the batteries carefully wipe the liquid off using a cloth. Avoid skin contact.
- ◆ In case of skin or eye contact, follow the instructions below.

Warning! The battery fluid may cause personal injury or damage to property. In case of skin contact, immediately rinse with water. If redness, pain or irritation occurs seek medical attention. In case of eye contact, rinse immediately with clean water and seek medical attention.

Chargers

Your charger has been designed for a specific voltage. Always check that the mains voltage corresponds to the voltage on the rating plate.

Warning! Never attempt to replace the charger unit with a regular mains plug.

- ◆ Use your Black & Decker charger only to charge the battery in the appliance/tool with which it was supplied. Other batteries could burst, causing personal injury and damage.
- ◆ Never attempt to charge non-rechargeable batteries.
- ◆ If the supply cord is damaged, it must be replaced by the manufacturer or an authorised Black & Decker Service Centre in order to avoid a hazard.
- ◆ Do not expose the charger to water.
- ◆ Do not open the charger.
- ◆ Do not probe the charger.

- ◆ The appliance/tool/battery must be placed in a well ventilated area when charging.

Electrical safety

Your charger has been designed for a specific voltage. Always check that the mains voltage corresponds to the voltage on the rating plate. Never attempt to replace the charger unit with a regular mains plug.

Symbols on the charger



Read all of this manual carefully.



Your charger is double insulated; therefore no earth wire is required.



Fail-safe isolating transformer. The mains supply is electrically separated from the transformer output.



The charger automatically shuts off if the ambient temperature becomes too high. As a consequence the charger will be inoperable. The charging base must be disconnected from the mains supply and taken to an authorised service centre for repair.



The charging base is intended for indoor use only.

Features

1. Dust collector
2. Release button
3. On/Off switch
4. Charging indicator
5. Charging base

Fig. A

6. Crevice tool
7. Wet pick-up accessory

Identifying your product

The model design can be determined from the suffix codes used in the catalogue number. The following catalogue numbers are described in this manual:

- ◆ WD60XXY/WD72XXY.

The suffix code XX corresponds to the following designs:

- ◆ 15: All units, supplied with a small crevice tool and a wet pick-up assembly.

The suffix code Y is used to identify the range of colour/finish options.

The suffix code Y represented by the letter N is used for models fitted with a NiMH battery.

Installation

Fitting the charging base to the wall

The charging base can be placed on a work top or fitted to the wall to provide a convenient storage and charging point for the appliance.

Warning! Do not mount your charger above an electrical outlet or other electrical appliance in case water should drip from your appliance.

When fixing to a wall, make sure that the fixing method is suitable for the wall type and is appropriate to the weight of the appliance.

Assembly

Fitting the accessories (fig. A & B)

These models are supplied with some or all of the following accessories:

- ◆ A crevice tool (6) for confined spaces.

- ◆ A wet pick-up assembly (7) for wet spills.

To fit an accessory, proceed as follows:

- ◆ Take the accessory from its storage position on the appliance or charging base (5) (fig. I & J).
- ◆ Insert the accessory into the front of the appliance.

Residual risks

Additional residual risks may arise when using the tool which may not be included in the enclosed safety warnings. These risks can arise from misuse, prolonged use etc.

Even with the application of the relevant safety regulations and the implementation of safety devices, certain residual risks cannot be avoided. These include:

- ◆ Injuries caused by touching any rotating/moving parts.
- ◆ Injuries caused when changing any parts, blades or accessories.
- ◆ Injuries caused by prolonged use of a tool. When using any tool for prolonged periods make sure you take regular breaks.
- ◆ Impairment of hearing.
- ◆ Health hazards caused by breathing dust developed when using your tool (example:- working with wood, especially oak, beech and MDF).

Use

- ◆ Before first use, the battery must be charged for at least 24 hours.
- ◆ Place the appliance on the charging base whenever it is not in use.

Charging the battery (fig. C)

Before charging the battery:

- ◆ Make sure that the appliance is switched off. The battery will not be charged with the on/off switch (3) in the on position.
- ◆ Place the appliance on the charging base (5) as shown.
- ◆ Plug in the charger. Switch on at the mains.

The charging indicator (4) will be lit.

- ◆ Leave the appliance to charge for at least 24 hours.

While charging, the charger may become warm. This is normal and does not indicate a problem. The appliance can be left connected to the charger indefinitely. The charging indicator (4) will be lit as long as the appliance is connected to the plugged-in charger.

Warning! Do not charge the battery at ambient temperatures below 10°C or above 40°C.

Switching on and off (fig. D)

- ◆ To switch the appliance on, slide the on/off switch (3) forward.
- ◆ To switch the appliance off, slide the on/off switch (3) back.

Wet pick-up (fig. A)

Warning! Your product is designed for light spills only, please do not pick up more than XXX amount of water.

Use the wet pick-up accessory (7) on non-absorbent surfaces.

- ◆ For best results when using this accessory, hold the appliance at an angle of 45° and pull it slowly towards you.
- ◆ On absorbent surfaces, such as carpet, your appliance will pick up wet spills better without the accessory.

Cleaning and maintenance

Warning! Regularly clean the filter and deflector (8 & 9).

Cleaning the dust collector and filters (fig. E - H)

In order to keep the suction force optimised, the filter must be cleared regularly during use.

The filter is re-usable and should be cleaned regularly.

- ◆ Press the release button (2) and remove the dust collector (1).
- ◆ Remove the filter and deflector (8 & 9) from the dust collector (1) (fig. F). There is a small lip (10) at the bottom of the deflector (8) to help you remove it from the dust collector (1).

- ◆ Brush any loose dust from the filter and deflector (8 & 9).
- ◆ Empty the dust collector (1) (fig. G).
- ◆ Wash the filter and deflector (8 & 9) in warm, soapy water (fig. H). The dust collector (1) can also be washed if necessary.

Warning! Do not immerse the appliance in water.

- ◆ Make sure that the dust collector (1) and the filter and deflector (8 & 9) are dry.
- ◆ Refit the filter and deflector (8 & 9) into the dust collector (1). Make sure that it clicks into place.
- ◆ Refit the dust collector (1) onto the appliance. Make sure that the dust collector clicks into place.

Warning! Never use the appliance without the filter. Optimum dust collection will only be achieved with clean filters.

Replacing the filters

The filter should be replaced every 6 to 9 months and whenever worn or damaged. A replacement filter (8) is available from your Black & Decker dealer (cat. no. WVF70):

- ◆ Remove the old filter as described above.
- ◆ Fit the new filter as described above.

Storing the accessories (fig. I & J)

- ◆ Press the accessories into the corresponding holders until they click into place.

Protecting the environment



Separate collection. This product must not be disposed of with normal household waste.

Should you find one day that your Black & Decker product needs replacement, or if it is of no further use to you, do not dispose of it with household waste. Make this product available for separate collection.



Separate collection of used products and packaging allows materials to be recycled and used again. Re-use of recycled materials helps prevent

environmental pollution and reduces the demand for raw materials.

Local regulations may provide for separate collection of electrical products from the household, at municipal waste sites or by the retailer when you purchase a new product.

Black & Decker provides a facility for the collection and recycling of Black & Decker products once they have reached the end of their working life. To take advantage of this service please return your product to any authorised repair agent who will collect them on our behalf.

You can check the location of your nearest authorised repair agent by contacting your local Black & Decker office at the address indicated in this manual. Alternatively, a list of authorised Black & Decker repair agents and full details of our after-sales service and contacts are available on the Internet at: www.2helpU.com.

Battery (fig. K)



If you want to dispose of the product yourself, the battery must be removed as described below and disposed of in accordance with local regulations.

- ◆ Preferably discharge the battery by operating the appliance until the motor stops.
- ◆ Press the release button (2) and remove the dust collector (1).
- ◆ Remove the seven screws holding the body of the appliance together.
- ◆ Pull the cover half away from the location half.
- ◆ For catalogue numbers WD60XXY & WD72XXY,
 - lift out the full motor/fan/battery assembly.
- ◆ Unplug the battery assembly from the main assembly.
- ◆ Place the battery in a suitable packaging to ensure that the terminals cannot be short-circuited.
- ◆ Take the battery to your service agent or to a local recycling station.

Once removed, the battery cannot be refitted.

Technical data

	WD60XXY H2	WD72XXY H2
Voltage	Vdc 6.0	7.2
Battery type	NiCd/NiMH	NiCd/NiMH
Weight	kg 1.0	1.1

Charger	*A100015D	*A110020D
Model	WD60XXY	WD72XXY
Input voltage	Vac 230	230
Output voltage	Vac 10	11
Output current	mA 150	200
Approx. charging time	h 24	24
Weight	kg 0.3	0.3

Level of sound pressure, measured according to EN60704-1: <70 dB(A)

Guarantee

Black & Decker is confident of the quality of its products and offers an outstanding guarantee. This guarantee statement is in addition to and in no way prejudices your statutory rights. The guarantee is valid within the territories of the Member States of the European Union and the European Free Trade Area.

If a Black & Decker product becomes defective due to faulty materials, workmanship or lack of conformity, within 24 months from the date of purchase, Black & Decker guarantees to replace defective parts, repair products subjected to fair wear and tear or replace such products to make sure of the minimum inconvenience to the customer unless:

- ◆ The product has been used for trade, professional or hire purposes.
- ◆ The product has been subjected to misuse or neglect.
- ◆ The product has sustained damage through foreign objects, substances or accidents.
- ◆ Repairs have been attempted by persons other than authorised repair agents or Black & Decker service staff.

To claim on the guarantee, you will need to submit proof of purchase to the seller or an authorised repair agent. You can check the location of your nearest authorised repair agent by contacting your local Black & Decker office at the address indicated in this manual.

Alternatively, a list of authorised Black & Decker repair agents and full details of our after-sales service and contacts are available on the Internet at:

www.2helpU.com

Please visit our website

www.blackanddecker.co.uk to register your new Black & Decker product and to be kept up to date on new products and special offers. Further information on the Black & Decker brand and our range of products is available at

www.blackanddecker.co.uk.

Bestimmungsgemäße Verwendung

Der Handstaubsauger Black & Decker Dustbuster® wurde zum Saugen von feuchtem oder trockenem leichtem Schmutz entwickelt. Dieses Gerät ist nicht für den gewerblichen Einsatz vorgesehen.

Patent- und Geschmacksmusterschutz

Gemeinschaftsgeschmacksmuster-Nummern:

- ◆ 607643-0001
- ◆ 607668-0001
- ◆ 607650-0001

Sicherheitshinweise

Achtung! Beachten Sie beim Umgang mit akku- oder batteriebetriebenen Geräten stets die grundlegenden Sicherheitshinweise, einschließlich der folgenden. Dadurch verhindern Sie so weit wie möglich das Entstehen von Bränden, das Auslaufen von Batterien oder Akkus sowie Sach- und Personenschäden.

- ◆ Lesen Sie diese Anleitung vollständig und aufmerksam durch, bevor Sie das Gerät zum ersten Mal verwenden.
- ◆ Der vorgesehene Verwendungszweck ist in dieser Anleitung beschrieben. Bei Verwendung von Zubehör oder Anbauteilen, die nicht in dieser Anleitung empfohlen sind, sowie bei der Bedienung des Geräts in Abweichung von den in dieser Anleitung beschriebenen Verfahren besteht Verletzungsgefahr.
- ◆ Heben Sie diese Anleitung auf.

Verwendung des Geräts

- ◆ Benutzen Sie das Gerät nicht zum Aufsaugen entzündlicher Flüssigkeiten oder Materialien.
- ◆ Das Gerät ist nicht zum Aufsaugen großer Flüssigkeitsmengen geeignet. Es muss regelmäßig

entleert werden, um eine Überfüllung zu vermeiden.

- ◆ Tauchen Sie das Gerät nicht in Wasser.
- ◆ Ziehen Sie das Ladegerät nicht am Kabel aus der Netzsteckdose. Achten Sie darauf, dass das Kabel des Ladegeräts nicht in Kontakt mit starker Hitze, Öl oder scharfen Gegenständen kommt.
- ◆ Dieses Gerät darf ohne Aufsicht nicht von jungen oder schwachen Personen verwendet werden. Kinder müssen beaufsichtigt werden, um sicherzustellen, dass sie nicht mit dem Gerät spielen.

Nach dem Gebrauch

- ◆ Ziehen Sie das Ladegerät aus der Netzsteckdose, bevor Sie das Ladegerät oder die Ladestation reinigen.
- ◆ Bewahren Sie das Gerät bei Nichtgebrauch an einem trockenen Ort auf.
- ◆ Kinder sollten keinen Zugang zu aufbewahrten Geräten haben.

Inspektion und Reparaturen

- ◆ Prüfen Sie das Gerät vor der Verwendung auf beschädigte oder defekte Teile. Prüfen Sie, ob Teile gebrochen sind, Schalter beschädigt sind oder ob andere Bedingungen vorliegen, die die Funktion beeinträchtigen könnten.
- ◆ Betreiben Sie das Gerät nicht, wenn ein Teil beschädigt oder defekt ist.
- ◆ Lassen Sie beschädigte oder defekte Teile in einer Vertragswerkstatt reparieren oder austauschen.
- ◆ Überprüfen Sie das Ladegerätkabel in regelmäßigen Abständen auf Beschädigungen. Tauschen Sie das Ladegerät aus, wenn das Kabel beschädigt oder defekt ist.
- ◆ Ersetzen oder entfernen Sie keine Teile, für die in dieser Anleitung keine entsprechende Beschreibung enthalten ist.

Sicherheit anderer Personen

- ◆ Dieses Gerät darf nicht von Personen (einschließlich Kindern) mit eingeschränkten körperlichen, sensorischen oder geistigen Fähigkeiten sowie mangelnder Erfahrung und Wissen in Bezug auf dessen Gebrauch bedient werden, es sei denn, sie werden bei der Verwendung des Geräts von einer für die Sicherheit verantwortlichen Person beaufsichtigt oder angeleitet.
- ◆ Kinder müssen beaufsichtigt werden, um sicherzustellen, dass sie nicht mit dem Gerät spielen.

Zusätzliche Sicherheitshinweise für Akkus und Ladegeräte

Akkus

- ◆ Auf keinen Fall öffnen.
- ◆ Achten Sie darauf, dass der Akku nicht mit Wasser in Berührung kommt.
- ◆ Setzen Sie den Akku keinen hohen Temperaturen aus.
- ◆ Nicht bei Temperaturen über 40°C lagern.
- ◆ Laden Sie den Akku ausschließlich bei Umgebungstemperaturen zwischen 10°C und 40°C.
- ◆ Verwenden Sie ausschließlich das mit dem Gerät gelieferte Ladegerät. Das Verwenden des falschen Ladegeräts kann zu einem Stromschlag oder dem Überhitzen des Akkus führen.
- ◆ Bei der Entsorgung von Akkus oder Batterien die Hinweise im Abschnitt „Umweltschutz“ beachten.
- ◆ Der Akku darf nicht durch mechanische Krafteinwirkung oder Belastungen beschädigt oder verformt werden. Andernfalls besteht Verletzungs- und Brandgefahr.
- ◆ Laden Sie beschädigte Akkus nicht auf.
- ◆ Unter extremen Bedingungen können Akkus undicht werden. Wenn Sie feststellen, dass aus dem

Akku Flüssigkeit austritt, wischen Sie diese vorsichtig mit einem Tuch ab. Vermeiden Sie Hautkontakt.

- ◆ Beachten Sie nach Haut- oder Augenkontakt die folgenden Hinweise.

Achtung! Batteriesäure kann Sach- oder Personenschäden verursachen. Spülen Sie die Säure nach Hautkontakt sofort mit Wasser ab. Suchen Sie einen Arzt auf, wenn sich auf der Haut Rötungen, Reizungen oder andere Irritationen zeigen. Spülen Sie das Auge nach Augenkontakt sofort mit sauberem Wasser aus, und suchen Sie einen Arzt auf.

Ladegeräte

Das Ladegerät ist für eine bestimmte Spannung ausgelegt. Stellen Sie sicher, dass die Netzspannung der auf dem Typenschild des Geräts angegebenen Spannung entspricht.

Achtung! Ersetzen Sie das Ladegerät keinesfalls durch ein normales Netzkabel.

- ◆ Verwenden Sie das Black & Decker Ladegerät nur für den Akku des Geräts, mit dem es geliefert wurde. Andere Akkus könnten platzen und Sachschäden oder Verletzungen verursachen.
- ◆ Versuchen Sie keinesfalls, nicht aufladbare Batterien zu laden.
- ◆ Ist das Netzkabel beschädigt, muss es durch den Hersteller oder eine Black & Decker Vertragswerkstatt ausgetauscht werden, um eine mögliche Gefährdung zu vermeiden.
- ◆ Achten Sie darauf, dass das Ladegerät nicht mit Wasser in Berührung kommt.
- ◆ Versuchen Sie nicht, das Ladegerät zu öffnen.
- ◆ Nehmen Sie am Ladegerät keine Veränderungen vor.
- ◆ Während das Gerät/der Akku geladen wird, muss auf ausreichende Belüftung geachtet werden.

Elektrische Sicherheit

Das Ladegerät ist für eine bestimmte Spannung ausgelegt. Stellen Sie sicher, dass die Netzspannung der auf dem Typenschild des Geräts angegebenen Spannung entspricht. Ersetzen Sie das Ladegerät keinesfalls durch ein normales Netzkabel.

Symbole auf dem Ladegerät



Lesen Sie diese Anleitung vollständig und aufmerksam durch.



Das Ladegerät ist schutzisoliert, daher ist keine Erdleitung erforderlich.



Ausfallsicherer Trenntrafo. Der Trafoausgang ist elektrisch von der Netzstromversorgung getrennt.



Bei extrem hohen Umgebungstemperaturen schaltet sich das Ladegerät automatisch ab. Das Ladegerät lässt sich danach nicht mehr in Betrieb nehmen. Es muss dann von der Netzstromversorgung getrennt und in einer Vertragswerkstatt repariert werden.



Die Ladestation darf nur im Innenbereich verwendet werden.

Merkmale

1. Staubsammler
2. Entriegelungstaste
3. Ein-/Ausschalter
4. Ladeanzeige
5. Ladestation

Abb. A

6. Fugendüse
7. Aufsatz zum Nasssaugen

Bestimmen des Produktes

Um welches Modell es sich bei Ihrem Gerät handelt, können Sie den Kenncodes der Katalognummer

entnehmen. Die vorliegende Bedienungsanleitung gilt für folgende Katalognummern:

- ◆ WD60XXY/WD72XXY.

Der Kenncode XX gilt für folgende Geschmacksmuster:

- ◆ 15: Alle Geräte, die mit einer kleinen Fugendüse sowie einem Aufsatz zum Nasssaugen geliefert werden.

Der Kenncode Y dient zur Bestimmung der Farb- und Lackierungsoptionen.

Der Kenncode Y, dargestellt durch den Buchstaben N, wird für mit NiMH-Akkus ausgestattete Geräte verwendet.

Installation

Anbringen der Ladestation an der Wand

Die Ladestation kann auf einer Arbeitsfläche abgelegt oder an einer Wand befestigt werden, so dass ein bequem erreichbarer Ort zum Aufbewahren und Laden des Geräts zur Verfügung steht.

Achtung! Bringen Sie Ihr Ladegerät nicht über einer Steckdose oder über anderen elektrischen Geräten an, um den Kontakt mit heruntertropfendem Wasser zu vermeiden.

Achten Sie bei der Wandmontage darauf, dass die gewählten Befestigungsmittel für den jeweiligen Wandbaustoff geeignet sind und das Gerätegewicht tragen können.

Montage

Anbringen der Zubehörteile (Abb. A und B)

Diese Modelle werden mit einigen oder allen der folgenden Zubehörteile ausgeliefert:

- ◆ Fugendüse (6) für beengte Platzverhältnisse.
- ◆ Ein Aufsatz zum Nasssaugen (7) für ausgetropfene Flüssigkeiten.

So bringen Sie ein Zubehörteil an:

- ◆ Nehmen Sie die Zubehörteile aus der Aufbewahrungsposition oder aus der Ladestation (5) (Abb. I und J).

- ◆ Schieben Sie das Zubehörteil vorn in die Saugöffnung des Geräts ein.

Restrisiken

Für den Gebrauch dieses Geräts verbleiben zusätzliche Restrisiken, die möglicherweise nicht in den Sicherheitswarnungen genannt werden. Diese Risiken bestehen beispielsweise bei Missbrauch oder längerem Gebrauch.

Auch bei der Einhaltung der entsprechenden Sicherheitsvorschriften und der Verwendung aller Sicherheitsgeräte bestehen weiterhin bestimmte Restrisiken. Diese werden im Folgenden aufgeführt:

- ◆ Verletzungen, die durch das Berühren von sich drehenden/bewegenden Teilen verursacht werden.
- ◆ Verletzungen, die durch das Austauschen von Teilen, Messern oder Zubehör verursacht werden.
- ◆ Verletzungen, die durch längeren Gebrauch eines Geräts verursacht werden. Legen Sie bei längerem Gebrauch regelmäßige Pausen ein.
- ◆ Beeinträchtigung des Gehörs.
- ◆ Gesundheitsrisiken durch das Einatmen von Staub beim Gebrauch des Geräts (Beispielsweise bei Holzarbeiten, insbesondere Eiche, Buche und Pressspan).

Gebrauch

- ◆ Vor der erstmaligen Verwendung des Geräts muss der Akku mindestens 24 Stunden lang aufgeladen werden.
- ◆ Setzen Sie das Gerät in die Ladestation ein, wenn Sie es nicht verwenden.

Laden der Batterie (Abb. C)

Vor dem Laden des Akkus:

- ◆ Vergewissern Sie sich, dass das Gerät ausgeschaltet ist. Wenn sich der Ein-/Aus-Schalter (3) in der Stellung „Ein“ befindet, wird der Akku nicht geladen.

- ◆ Setzen Sie das Gerät wie in der Abbildung gezeigt in die Ladestation (5) ein.
- ◆ Schließen Sie das Ladegerät an eine Netzsteckdose an. Schalten Sie ggf. die Netzstromversorgung ein.

Die Ladeanzeige (4) leuchtet.

- ◆ Warten Sie mindestens 24 Stunden, damit der Akku vollständig aufgeladen wird.

Das Ladegerät kann sich während des Aufladens erwärmen. Dies ist normal. Das Ladegerät kann beliebig lange am Gerät angeschlossen bleiben. Die Ladeanzeige (4) leuchtet, solange das Gerät mit dem an die Steckdose angeschlossenen Ladegerät verbunden ist.

Achtung! Laden Sie den Akku nicht, wenn die Umgebungstemperatur unter 10°C oder über 40°C liegt.

Ein- und Ausschalten (Abb. D)

- ◆ Zum Einschalten des Geräts schieben Sie den Ein-/Aus-Schalter (3) nach vorn.
- ◆ Zum Ausschalten des Geräts schieben Sie den Ein-/Aus-Schalter (3) nach hinten.

Nasssaugen (Abb. A)

Verwenden Sie den Aufsatz zum Nasssaugen (7) auf wasserabweisenden Oberflächen.

- ◆ Halten Sie das Gerät mit dem Aufsatz zum Nasssaugen im 45 Grad-Winkel, und ziehen Sie es langsam in Ihre Richtung.
- ◆ Auf wasserabsorbierenden Oberflächen (z. B. Teppichen) lassen sich ausgelaufene Flüssigkeiten besser ohne den Aufsatz zum Nasssaugen aufsaugen.

Reinigung und Pflege

Achtung! Reinigen Sie Filter und Deflektor (8 und 9) in regelmäßigen Abständen.

Reinigen des Staubbehälters und des Filters (Abb. E–H)

Damit das Gerät stets die bestmögliche Saugkraft erzeugt, muss der Filter während des Gebrauchs regelmäßig gereinigt werden.

Der Filter ist wieder verwendbar und sollte regelmäßig gereinigt werden.

- ◆ Drücken Sie die Entriegelungstaste (2), und nehmen Sie den Staubbehälter (1) ab.
- ◆ Entfernen Sie den Filter und den Deflektor (8 und 9) vom Staubbehälter (1) (Abb. F). Mit der kleinen Lasche (10) unten am Deflektor (8) können Sie diesen leicht vom Staubbehälter (1) abnehmen.
- ◆ Entfernen Sie mit Hilfe einer Bürste losen Staub vom Filter und vom Deflektor (8 und 9).
- ◆ Leeren Sie den Staubbehälter (1) (Abb. G).
- ◆ Spülen Sie den Filter (8) und den Deflektor (9) in warmer Seifenlauge aus (Abb. H). Der Staubbehälter (1) kann ebenfalls auf diese Weise gereinigt werden.

Achtung! Tauchen Sie das Gerät nicht in Wasser.

- ◆ Staubbehälter (1), Filter (8) und Deflektor (9) müssen vor dem Wiedereinbau vollständig trocken sein.
- ◆ Setzen Sie den Filter und den Deflektor (8 und 9) wieder im Staubbehälter (1) ein. Drehen Sie Filter und Deflektor (8 und 9) dazu gegen den Uhrzeigersinn, bis diese einrasten.
- ◆ Bringen Sie den Staubbehälter (1) wieder am Gerät an. Achten Sie darauf, dass er hörbar einrastet.

Achtung! Betreiben Sie das Gerät nie ohne Filter. Die beste Reinigungswirkung erzielen Sie bei sauberem Filter.

Ersetzen des Filters

Der Filter sollte alle 6 bis 9 Monate ersetzt werden, bei sichtbaren Verschleißspuren oder Beschädigungen auch früher.

Ersatzfilter (8) erhalten Sie im Black & Decker-Fachhandel (Katalognummer WVF70).

- ◆ Entfernen Sie den verbrauchten Filter, wie oben beschrieben.
- ◆ Bringen Sie den neuen Filter an, wie oben beschrieben.

Aufbewahren des Zubehörs (Abb. I und J)

- ◆ Setzen Sie die Zubehörteile in die dafür vorgesehenen Halterungen ein, bis sie einrasten.

Umweltschutz



Getrennte Entsorgung. Dieses Produkt darf keinesfalls mit dem Hausmüll entsorgt werden.

Sollten Sie Ihr Black & Decker Produkt eines Tages ersetzen oder nicht mehr benötigen, entsorgen Sie es nicht mit dem Hausmüll, sondern führen Sie das Produkt einer getrennten Sammlung zu.



Durch die separate Sammlung von ausgedienten Produkten und Verpackungsmaterialien können Rohstoffe recycelt und wieder verwendet werden. Die Wiederverwendung aufbereiteter Materialien trägt zur Vermeidung der Umweltverschmutzung bei und senkt den Rohstoffbedarf.

Die Verordnung zur Abfallentsorgung Ihrer Gemeinde sieht möglicherweise vor, dass Elektrogeräte getrennt vom Hausmüll gesammelt, an der örtlichen Abfallentsorgungseinrichtung abgegeben oder beim Kauf eines neuen Produkts vom Fachhandel zur Entsorgung angenommen werden müssen.

Black & Decker nimmt Ihre ausgedienten Black & Decker-Geräte gern zurück und sorgt für eine umweltfreundliche Entsorgung bzw. Wiederverwertung. Um diese Dienstleistung in Anspruch zu nehmen, geben Sie das Gerät bitte bei einer autorisierten Reparaturwerkstatt

ab, die für uns die Einsammlung übernimmt.

Die Adresse der zuständigen Niederlassung von Black & Decker steht in dieser Anleitung. Diese teilt Ihnen gerne die nächstgelegene Vertragswerkstatt mit. Außerdem ist eine Liste der Vertragswerkstätten und aller Kundendienststellen von Black & Decker sowie der zuständigen Ansprechpartner im Internet zu finden unter:

www.2helpU.com.

Akku (Abb. K)



Wenn Sie das Gerät selbst entsorgen, müssen Sie den Akku wie unten beschrieben herausnehmen und ihn gemäß der Abfallentsorgungssatzung Ihrer Gemeinde entsorgen.

- ◆ Sorgen Sie dafür, dass der Akku vollständig entladen ist. Schalten Sie

dazu das Gerät ein, und warten Sie, bis der Motor zum Stillstand kommt.

- ◆ Drücken Sie die Entriegelungstaste (2), und nehmen Sie den Staubbehälter (1) ab.
- ◆ Lösen Sie die Schrauben, die das Gerät zusammenhalten.
- ◆ Ziehen Sie die Abdeckung zur Hälfte auf.
- ◆ Um die Geräte mit den Katalognummern WD60XXY & WD72XXY auseinander zu bauen, müssen Sie sowohl den Motor als auch den Lüfter und den Akku vollständig aus dem Gerät lösen.
- ◆ Lösen Sie den Akkubausatz aus der Hauptbaugruppe.
- ◆ Verpacken Sie die Batterie in einem geeigneten Behälter, sodass die Batteriekontakte nicht kurzgeschlossen werden können.
- ◆ Bringen Sie den Akku zu Ihrer Vertragswerkstatt oder zu einer Rücknahmestelle in Ihrer Nähe.

Ein entnommener Akku kann nicht wieder eingesetzt werden.

Technische Daten

	WD60XXY H2	WD72XXY H2
Spannung	Vdc 6,0	7,2
Akkutyp	NiCd/NiMH	NiCd/NiMH
Gewicht	kg 1,0	1,1

Ladegerät	*A100015D	*A110020D
Modell	WD60XXY	WD72XXY
Eingangsspannung	Vac 230	230
Ausgangsspannung	Vac 10	11
Ausgangsstrom	mA 150	200
Ungefähre Dauer des Ladevorgangs (Mindestdauer)	Std 24	24
Gewicht	kg 0,3	0,3

Schalldruckpegel gemäß EN 60704-1: <70 dB(A)

Garantie

Black & Decker vertraut auf die Qualität der eigenen Geräte und bietet dem Käufer eine außergewöhnliche Garantie. Diese Garantiezusage versteht sich

unbeschadet der gesetzlichen Gewährleistungsansprüche und schränkt diese keinesfalls ein. Sie gilt in sämtlichen Mitgliedsstaaten der Europäischen Union und der Europäischen Freihandelszone EFTA.

Tritt innerhalb von 24 Monaten ab Kaufdatum an einem Gerät von Black & Decker ein auf Material- oder Verarbeitungsfehler zurückzuführender Mangel auf, garantiert Black & Decker den Austausch defekter Teile, die Reparatur von Geräten mit üblichem Verschleiß bzw. den Austausch eines mangelhaften Gerätes, ohne dass dem Kunden dabei mehr als unvermeidlich Unannehmlichkeiten entstehen, allerdings vorbehaltlich folgender Ausnahmen:

- ◆ wenn das Gerät gewerblich, beruflich oder im Verleihgeschäft benutzt wurde;
- ◆ wenn das Gerät missbräuchlich verwendet oder mit mangelnder Sorgfalt behandelt wurde;
- ◆ wenn das Gerät durch irgendwelche Fremdeinwirkung beschädigt wurde;
- ◆ wenn ein unbefugter Reparaturversuch durch anderes Personal als das einer Vertragswerkstatt oder des Black & Decker-Kundendienstes unternommen wurde.

Zur Inanspruchnahme dieser Garantie ist dem Verkäufer bzw. der Vertragswerkstatt ein Kaufnachweis vorzulegen. Die Adresse der zuständigen Niederlassung von Black & Decker steht in dieser Anleitung. Diese teilt Ihnen gerne die nächstgelegene Vertragswerkstatt mit. Außerdem ist eine Liste der Vertragswerkstätten und aller Kundendienststellen von Black & Decker sowie der zuständigen Ansprechpartner im Internet zu finden unter:

www.2helpU.com

Bitte besuchen Sie unsere Webseite **www.blackanddecker.de**, um Ihr neues Black & Decker Produkt zu registrieren und sich über neue Produkte und Sonderangebote zu informieren. Weitere Informationen über die Marke Black & Decker und unsere Produkte finden Sie unter **www.blackanddecker.de**.

Utilisation

Votre aspirateur à main Dustbuster Black & Decker® est conçu pour les petits travaux de nettoyage de zone sèche ou humide. Il est destiné à une utilisation exclusivement domestique.

Conception et brevet

Numéros d'enregistrement de conception EC :

- ◆ 607643-0001
- ◆ 607668-0001
- ◆ 607650-0001

Consignes de sécurité

Attention ! De simples précautions de sécurité sont à prendre pour l'utilisation d'appareil alimenté par batterie. Les conseils suivants doivent toujours être appliqués, ceci afin de réduire le risque d'incendie, les fuites de batterie, les blessures et les dommages matériels.

- ◆ Lisez attentivement et entièrement le manuel avant d'utiliser l'appareil.
- ◆ Ce manuel décrit comment utiliser cet appareil. L'utilisation d'un accessoire ou d'une fixation, ou bien l'utilisation de cet appareil à d'autres fins que celles recommandées dans ce manuel d'instruction peut présenter un risque de blessures.
- ◆ Gardez ce manuel pour référence ultérieure.

Utilisation de votre appareil

- ◆ N'utilisez pas cet appareil pour aspirer des liquides ou des matériaux qui pourraient prendre feu.
- ◆ Cet appareil est conçu pour les petits travaux. Il doit être vidé régulièrement.
- ◆ Ne plongez pas l'appareil dans l'eau.
- ◆ Ne tirez jamais sur le fil du chargeur pour le débrancher. Maintenez le fil du chargeur éloigné de toute source de chaleur, de zones graisseuses et de bords tranchants.
- ◆ Cet appareil n'est pas destiné à être utilisé par des personnes jeunes ou déficientes sans surveillance. Afin d'éviter que les enfants jouent avec

cet appareil, ne les laissez pas sans surveillance.

Après l'utilisation

- ◆ Débranchez le chargeur pour le nettoyer ou pour nettoyer son support.
- ◆ Quand il n'est pas utilisé, l'appareil doit être rangé dans un endroit sec.
- ◆ Les enfants ne doivent pas avoir accès aux appareils rangés.

Vérification et réparations

- ◆ Avant l'utilisation, vérifiez si l'appareil est en bon état ou si aucune pièce ne manque. Recherchez des pièces cassées, des boutons endommagés et d'autres anomalies susceptibles de nuire au bon fonctionnement de l'appareil.
- ◆ N'utilisez pas l'appareil si une pièce est endommagée ou défectueuse.
- ◆ Faites réparer ou remplacer les pièces défectueuses ou endommagées par un réparateur agréé.
- ◆ Vérifiez régulièrement l'état du fil du chargeur. Si le fil est endommagé ou défectueux, remplacez le chargeur.
- ◆ Ne tentez jamais de retirer ou de remplacer des pièces autres que celles citées dans ce manuel.

Sécurité des personnes

- ◆ Cet appareil ne doit pas être utilisé par des personnes (y compris les enfants) ayant des déficiences physiques, mentales ou sensorielles. Cette consigne s'applique aussi aux personnes manquant d'expérience et de connaissance du matériel, à moins que celles-ci n'aient reçu les instructions appropriées ou qu'elles ne soient encadrées par une personne responsable de leur sécurité pour utiliser l'appareil.
- ◆ Ne laissez jamais les enfants sans surveillance pour éviter qu'ils ne jouent avec cet appareil.

Consignes de sécurité supplémentaires – batteries et chargeurs

Batteries

- ◆ En aucun cas, n'essayez d'ouvrir l'appareil.
- ◆ Ne mettez pas la batterie en contact avec l'eau.
- ◆ N'approchez pas la batterie d'une source de chaleur.
- ◆ Ne le rangez pas dans des endroits où la température peut dépasser 40°C.
- ◆ Ne chargez qu'à température ambiante comprise entre 10°C et 40°C.
- ◆ N'utilisez que le chargeur fournis avec l'appareil/outil. Le non respect de cette consigne pourrait entraîner un électrotraumatisme ou une surchauffe de la batterie.
- ◆ Pour la mise au rebut des batteries, suivez les instructions données dans la section « Protection de l'environnement ».
- ◆ Ne déformez/n'endommagez pas le bloc batterie en le perçant ou en le cognant, ceci pourrait entraîner des blessures et un incendie.
- ◆ Ne chargez pas les batteries endommagées.
- ◆ Dans des conditions extrêmes, une batterie peut couler. Si vous détectez une fuite, utilisez un chiffon pour essuyer le liquide avec précaution. Évitez tout contact avec la peau.
- ◆ En cas de contact avec la peau ou les yeux, suivez les instructions ci-dessous.

Attention ! Le liquide de batterie peut provoquer des blessures ou des dommages. En cas de contact avec la peau, rincez immédiatement à l'eau. Si des rougeurs, une douleur ou une irritation se produisent, consultez un médecin. En cas de contact avec les yeux, rincez à l'eau et consultez immédiatement un médecin.

Chargeurs

Votre chargeur doit être utilisé avec une tension spécifique. Vérifiez toujours si la tension indiquée sur la plaque signalétique de l'appareil correspond à la tension de secteur.

Attention ! N'essayez jamais de remplacer le chargeur par une prise secteur.

- ◆ N'utilisez votre chargeur Black & Decker que pour charger la batterie fournie avec l'appareil/outil. D'autres batteries pourraient exploser, provoquant des blessures et des dommages.
- ◆ Ne tentez jamais de recharger des batteries non rechargeables.
- ◆ Si le câble d'alimentation est endommagé, il doit être remplacé par le fabricant ou par un centre de réparation agréé Black & Decker pour éviter tout risque.
- ◆ Ne mettez pas le chargeur en contact avec l'eau.
- ◆ N'ouvrez pas le chargeur.
- ◆ Ne testez pas le chargeur.
- ◆ Pour le rechargement, placez l'appareil/outil/batterie dans un endroit correctement aéré.

Sécurité électrique

Votre chargeur doit être utilisé avec une tension précise. Vérifiez toujours si le voltage indiqué sur la plaque signalétique de l'appareil correspond à la tension de secteur. N'essayez jamais de remplacer le chargeur par une prise secteur.

Symboles sur le chargeur



Lisez attentivement le manuel complet.



Votre chargeur est doublement isolé; par conséquent, aucun câble de terre n'est nécessaire.



Transformateur avec isolation de sécurité. L'alimentation secteur est électriquement indépendante de la sortie du transformateur.



Le chargeur est automatiquement mis hors service si la température ambiante devient trop élevée. Il est alors impossible de l'utiliser. Débranchez la base du chargeur de l'alimentation secteur pour la faire réparer dans un centre agréé.



Le support de charge ne peut être utilisé qu'à l'intérieur.

Caractéristiques

1. Collecteur de poussière
2. Bouton de dégagement
3. Bouton marche/arrêt (On/Off)
4. Témoin de charge
5. Support de charge

Figure A

6. Suceur plat
7. Récupérateur de déchets humides

Identification de l'appareil

La conception du modèle peut être déterminée d'après les suffixes utilisés dans le numéro du catalogue. Les numéros de catalogue suivants sont décrits dans ce manuel :

- ◆ WD60XXY/WD72XXY.

Le suffixe XX correspond aux conceptions suivantes :

- ◆ 15 : tous les appareils avec un petit suceur plat et un récupérateur de déchets humides.

Le suffixe Y est utilisé pour identifier la gamme de couleur/ finition.

Le suffixe Y représenté par la lettre N est utilisé pour les modèles munis d'une batterie NiMH.

Installation

Fixation du support de charge au mur

Pour faciliter le rangement et la mise en charge de l'appareil, le support de charge peut être installé sur une surface de travail ou au mur.

Attention ! De l'eau risque de s'écouler de l'appareil. Ne montez pas le chargeur au-dessus d'une prise électrique ou d'un appareil électrique.

Pour l'installation au mur, assurez-vous que la fixation convient au type de mur et au poids de l'appareil.

Assemblage

Installation des accessoires (figure A et B)

Ces modèles sont livrés avec les accessoires suivants (pas nécessairement tous) :

- ◆ Un suceur plat (6) pour les espaces restreints.
- ◆ Un récupérateur de déchets humides (7) pour les éclaboussures.

Pour mettre en place un accessoire, effectuez ce qui suit :

- ◆ Sortez l'accessoire de son logement sur l'appareil ou sur le support de charge (5) (figure I et J).
- ◆ Insérez l'accessoire sur l'avant de l'appareil.

Risques résiduels

L'utilisation d'un outil non mentionné dans les consignes de sécurité données peut entraîner des risques résiduels supplémentaires. Ces risques peuvent survenir si l'outil est mal utilisé, si l'utilisation est prolongée, etc.

Malgré l'application des normes de sécurité correspondantes et la présence de dispositifs de sécurité, les risques

résiduels suivants ne peuvent être évités. Ceci comprend :

- ◆ Les blessures dues au contact avec une pièce mobile/en rotation.
- ◆ Les blessures causées en changeant des pièces, lames ou accessoires.
- ◆ Les blessures dues à l'utilisation prolongée d'un outil. Une utilisation prolongée de l'outil nécessite des pauses régulières.
- ◆ Déficience auditive.
- ◆ Risques pour la santé causés par l'inhalation de poussières produites pendant l'utilisation de l'outil (exemple : travail avec du bois, surtout le chêne, le hêtre et les panneaux en MDF).

Utilisation

- ◆ Avant la première utilisation, la batterie doit être chargée pendant au moins 24 heures.
- ◆ Placez l'appareil sur le support de charge dès qu'il n'est pas utilisé.

Charge de la batterie (figure C)

Avant de charger la batterie :

- ◆ Assurez-vous que l'appareil est débranché. La batterie ne se recharge pas si le bouton marche/arrêt (3) est en position de marche.
- ◆ Placez l'appareil sur le support de charge (5), comme indiqué.
- ◆ Branchez le chargeur. Branchez au secteur.

Le témoin de charge (4) clignote.

- ◆ Laissez l'appareil en charge pendant au moins 24 heures.

Pendant le chargement, le chargeur peut chauffer. Ceci est un phénomène normal qui ne représente aucun problème.

L'appareil peut rester branché au chargeur en permanence. Le témoin de charge (4) clignote aussi longtemps que l'appareil est branché au chargeur.

Attention ! Ne chargez pas la batterie si la température ambiante est inférieure à 10°C ou supérieure à 40°C.

Mise en marche et arrêt (figure D)

- ◆ Pour mettre l'appareil en marche, glissez le bouton marche/arrêt (3) vers l'avant.
- ◆ Pour arrêter l'appareil, glissez le bouton marche/arrêt (3) vers l'arrière.

Récupération de déchets humides (figure A)

Utilisez l'accessoire récupérateur de déchets humides (7) sur les surfaces non absorbantes.

- ◆ Pour un meilleur résultat, maintenez l'appareil dans un angle de 45° et tirez-le lentement vers vous.
- ◆ Sur des surfaces absorbantes, comme un tapis, votre appareil récupère mieux les éclaboussures sans l'accessoire.

Nettoyage et entretien

Attention ! Nettoyez régulièrement les filtres (8 & 9).

Nettoyage du collecteur de poussière et des filtres (figure E et H)

Pour garder la force d'aspiration maximum, les filtres doivent être nettoyés régulièrement.

Les filtres sont réutilisables et doivent être nettoyés régulièrement.

- ◆ Appuyez sur le bouton de dégagement (2) et retirez le collecteur de poussière (1).
- ◆ Retirez le filtre et le déflecteur (8 et 9) du collecteur (1) (figure F). La petite languette (10) en bas du déflecteur (8) vous permettra de le retirer du collecteur (1).
- ◆ Brossez la poussière déposée sur le filtre et le déflecteur (8 et 9).
- ◆ Videz le collecteur de poussière (1) (figure G).
- ◆ Nettoyez le filtre et le déflecteur (8 et 9) à l'eau chaude et au savon (figure H). Le collecteur de poussière (1) peut aussi être nettoyé, le cas échéant.

Attention ! Ne plongez pas l'appareil dans l'eau.

- ◆ Assurez-vous que le collecteur de poussière (1) et le filtre et le déflecteur (8 et 9) sont complètement secs.
- ◆ Réinstallez le filtre et le déflecteur (8 et 9) dans le collecteur de poussière (1), jusqu'à ce qu'ils soient bloqués.
- ◆ Remontez le collecteur de poussière (1) sur l'appareil. Assurez-vous que le collecteur de poussière est bien enclenché.

Attention ! N'utilisez jamais l'appareil sans les filtres. Pour récupérer le maximum de poussière, utilisez toujours les filtres propres.

Remplacement des filtres

Les filtres doivent être remplacés tous les 6 à 9 mois et chaque fois qu'ils sont usés ou endommagés. Vous trouverez des filtres de rechange (8) chez votre revendeur Black & Decker (cat. n° WVF70) :

- ◆ Retirez les filtres usés, comme décrit ci-dessus.
- ◆ Installez les filtres neufs, comme décrit ci-dessus.

Rangement des accessoires (figure I et J)

- ◆ Enclenchez les accessoires dans les supports appropriés.

Protection de l'environnement



Recyclage. Cet appareil ne doit pas être jeté avec les déchets ménagers.

Si votre appareil Black & Decker doit être remplacé ou si vous n'en avez plus l'usage, ne le jetez pas avec les ordures ménagères. Songez à la protection de l'environnement et recyclez-les.



La collecte séparée des produits et des emballages usagés permet de recycler et de réutiliser des matériaux. La réutilisation de matériaux recyclés évite la pollution de l'environnement et réduit la demande de matières premières.

Des réglementations locales peuvent stipuler la collecte séparée des produits électriques et des produits ménagers, dans des déchetteries municipales ou par le revendeur lorsque vous achetez un nouveau produit.

Black & Decker offre une solution pour recycler les produits Black & Decker lorsqu'ils ont atteint la fin de leur cycle de vie. Pour pouvoir profiter de ce service, veuillez retourner votre produit à un réparateur agréé qui se chargera de le collecter pour nous.

Pour connaître l'adresse du réparateur agréé le plus proche de chez vous, contactez le bureau Black & Decker à l'adresse indiquée dans ce manuel. Vous pourrez aussi trouver une liste de réparateurs agréés de Black & Decker et de plus amples détails concernant notre service après-vente sur le site Internet : www.2helpU.com.

Batterie (figure K)



Si vous jetez l'appareil, vous devez retirer la batterie, comme décrit ci-dessus, et la mettre au rebut conformément aux réglementations locales.

- ◆ Il est préférable de décharger complètement la batterie jusqu'à l'arrêt du moteur de l'appareil.
- ◆ Appuyez sur le bouton de dégagement (2) et retirez le collecteur de poussière (1).
- ◆ Retirez les sept vis qui fixent l'ensemble des parties de l'appareil.
- ◆ Tirez la moitié du couvercle.

- ◆ Pour les numéros de catalogue WD60XXY et WD72XXY,
 - sortez complètement l'ensemble moteur/ventilateur/batterie.
- ◆ Débranchez la batterie de l'ensemble principal.
- ◆ Placez la batterie dans un emballage approprié pour éviter un court-circuit des bornes.
- ◆ Déposez la batterie chez votre réparateur ou dans un centre de recyclage local.

Une fois retirée, la batterie ne peut être remplacée.

Caractéristiques techniques

	WD60XXY H2	WD72XXY H2
Tension	Vcc 6,0	7,2
Type de batterie	NiCd/NiMH	NiCd/NiMH
Poids	kg 1,0	1,1

Chargeur	*A100015D	*A110020D
Modèle	WD60XXY	WD72XXY
Tension d'entrée	Vca 230	230
Tension de sortie	Vca 10	11
Courant de sortie	mA 150	200
Durée approximative de charge	h 24	24
Poids	kg 0,3	0,3

Niveau de pression sonore selon la norme EN 60704-1 : <70 dB(A)

Garantie

Black & Decker vous assure la qualité de ses produits et vous offre une garantie très étendue. Ce certificat de garantie est un document supplémentaire et ne peut en aucun cas se substituer à vos droits légaux. La garantie est valable sur tout le territoire des États Membres de l'Union Européenne et de la Zone de Libre Échange Européenne.

Si un produit Black & Decker s'avère défectueux en raison de matériaux en mauvais état, d'une erreur humaine, ou d'un manque de conformité dans les 24 mois suivant la date d'achat, Black & Decker garantit le remplacement des pièces défectueuses, la réparation des produits usés ou cassés ou remplace ces produits à la convenance du client, sauf dans les circonstances suivantes :

- ◆ Le produit a été utilisé dans un but commercial, professionnel, ou a été loué.

- ◆ Le produit a été mal utilisé ou avec négligence.
- ◆ Le produit a subi des dommages à cause de corps étrangers, de substances ou d'accidents.
- ◆ Des réparations ont été tentées par des techniciens ne faisant pas partie du service technique de Black & Decker.

Pour avoir recours à la garantie, il est nécessaire de fournir une preuve d'achat au vendeur ou à un réparateur agréé. Pour connaître l'adresse du réparateur agréé le plus proche de chez vous, contactez le bureau Black & Decker à l'adresse indiquée dans ce manuel. Vous pourrez aussi trouver une liste de réparateurs agréés de Black & Decker et de plus amples détails sur notre service après-vente sur le site Internet à l'adresse suivante :

www.2helpU.com

Visitez notre site Web

www.blackanddecker.fr pour enregistrer votre nouveau produit Black & Decker et être informé des nouveaux produits et des offres spéciales. Pour plus d'informations concernant la marque Black & Decker et notre gamme de produits, consultez notre site **www.blackanddecker.fr**.

Uso previsto

L'aspirasolidi o liquidi portatile Black & Decker Dustbuster® è stato progettato per aspirare solidi e liquidi.

L'elettrodomestico è stato progettato solo per uso domestico.

Informazioni su design e brevetto

Numeri di registrazione del modello nella Comunità europea:

- ◆ 607643-0001
- ◆ 607668-0001
- ◆ 607650-0001

Istruzioni di sicurezza

Attenzione! Quando si usano elettrodomestici alimentati a batteria, osservare sempre le normali precauzioni di sicurezza per ridurre il rischio di incendio, di perdita di liquido dalle batterie, di lesioni personali e di danni materiali.

- ◆ Leggere attentamente il presente manuale prima di usare l'elettrodomestico.
- ◆ L'uso previsto è descritto nel presente manuale. Se questo elettrodomestico viene usato con accessori o per usi diversi da quelli raccomandati nel presente manuale d'uso, si potrebbero verificare lesioni personali.
- ◆ Conservare il presente manuale per futura consultazione.

Utilizzo dell'elettrodomestico

- ◆ Non usare l'elettrodomestico per aspirare liquidi o materiali che potrebbero incendiarsi.
- ◆ Questo prodotto è stato progettato solo per versamenti di piccola entità. Esso deve essere svuotato regolarmente per evitare che si riempia troppo.
- ◆ Non immergere l'elettrodomestico in acqua.
- ◆ Non tirare mai il filo per scollegare l'alimentatore dalla presa. Tenere il filo dell'alimentatore lontano da calore, olio e bordi taglienti.
- ◆ L'elettrodomestico non deve essere utilizzato da ragazzi o persone inabili

senza la supervisione di un adulto.

Controllare i bambini per evitare che giochino con l'elettrodomestico.

Dopo l'impiego

- ◆ Scollegare l'alimentatore dalla spina prima di pulire l'alimentatore o la base di ricarica.
- ◆ Quando non è usato, l'elettrodomestico deve essere conservato in un luogo asciutto.
- ◆ Gli elettrodomestici non devono essere riposti alla portata dei bambini.

Ispezione e riparazioni

- ◆ Prima dell'impiego, controllare che l'elettrodomestico non sia danneggiato e non presenti parti difettose. Controllare che non vi siano parti rotte, che gli interruttori non siano danneggiati e che non vi siano altre condizioni che potrebbero avere ripercussioni sulle prestazioni.
- ◆ Non usare l'elettrodomestico se alcune parti sono danneggiate o difettose.
- ◆ Far riparare o sostituire le parti danneggiate o difettose da un tecnico autorizzato.
- ◆ Controllare a intervalli regolari che il filo dell'alimentatore non sia danneggiato. Sostituire l'alimentatore se il filo è danneggiato o difettoso.
- ◆ Non tentare di smontare o sostituire qualsiasi parte ad eccezione di quelle specificate nel presente manuale.

Sicurezza altrui

- ◆ Questo elettrodomestico non è stato progettato per impiego da parte di persone (o bambini) portatrici di handicap fisici, psichici o sensoriali o che non abbiano la dovuta esperienza o conoscenza, a meno che non siano seguite o opportunamente istruite sul suo utilizzo da parte di una persona responsabile della loro sicurezza.

- ◆ Controllare che i bambini non giochino con l'elettrodomestico.

Istruzioni di sicurezza aggiuntive per batterie e alimentatori

Batterie

- ◆ Non tentare di aprirle per qualsiasi ragione.
- ◆ Non lasciare che la batteria si bagni.
- ◆ Non esporre la batteria al calore.
- ◆ Non riporre in luoghi dove la temperatura potrebbe superare i 40°C.
- ◆ Caricare solo a temperature ambiente tra 10°C e 40°C.
- ◆ Caricare solo usando l'alimentatore fornito con l'apparecchio/elettrodomestico. L'utilizzo dell'alimentatore sbagliato potrebbe causare scosse elettriche o il surriscaldamento della batteria.
- ◆ Quando si smaltiscono le batterie, seguire le istruzioni riportate al capitolo "Protezione dell'ambiente".
- ◆ Non danneggiare/deformare il battery pack forandolo o colpendolo per evitare il rischio di lesioni o di incendio.
- ◆ Non caricare le batterie danneggiate.
- ◆ In condizioni estreme, si potrebbe verificare la perdita di liquido dalle batterie. Se si nota la presenza di liquido sulle batterie, pulirle con attenzione con uno straccio. Evitare il contatto con l'epidermide.
- ◆ In caso di contatto con l'epidermide o gli occhi, seguire le istruzioni riportate di seguito.

Attenzione! Il liquido della batteria può causare lesioni alle persone o danni alle cose. In caso di contatto con la pelle, risciacquare immediatamente con acqua. In caso di rossore, dolore o irritazione, rivolgersi immediatamente a un medico. In caso di contatto con gli occhi, risciacquarli immediatamente con acqua pulita e consultare un medico.

Alimentatori

L'alimentatore è stato progettato per una tensione specifica. Controllare sempre che la tensione di rete corrisponda alla tensione indicata sulla targhetta dei dati tecnici.

Attenzione! Non tentare mai di sostituire l'alimentatore con una normale spina elettrica.

- ◆ Usare l'alimentatore Black & Decker solo per caricare la batteria nell'apparecchio/elettrodomestico con il quale è stato fornito. Altre batterie potrebbero scoppiare causando lesioni alle persone e danni.
- ◆ Non tentare mai di caricare batterie non ricaricabili.
- ◆ In caso di danneggiamento del filo di alimentazione, è necessario farlo riparare dal fabbricante o presso un centro assistenza Black & Decker autorizzato in modo da evitare eventuali pericoli.
- ◆ Non lasciare che l'alimentatore si bagni.
- ◆ Non aprire l'alimentatore.
- ◆ Non collegare l'alimentatore a sonde.
- ◆ L'apparecchio/elettrodomestico/batteria devono essere lasciati in una zona ben ventilata durante la carica.

Sicurezza elettrica

L'alimentatore è stato progettato per una tensione specifica. Controllare sempre che la tensione di rete corrisponda alla tensione indicata sulla targhetta dati. Non tentare mai di sostituire l'alimentatore con una normale spina di rete.

Simboli sull'alimentatore



Leggere attentamente questo manuale nella sua totalità.



Il doppio isolamento di cui è provvisto l'alimentatore rende superfluo il filo di terra.



Trasformatore di isolamento con protezione incorporata. L'alimentazione di rete è separata elettricamente dall'erogazione del trasformatore.



Il caricatore si spegne automaticamente se la temperatura ambiente aumenta eccessivamente. Di conseguenza il caricatore diventa inutilizzabile. In questi casi la base di ricarica deve essere scollegata dall'alimentazione di rete e portata presso un centro di assistenza autorizzato per le necessarie riparazioni.



La base di ricarica può solo essere usata all'interno.

Caratteristiche

1. Bocchetta raccogli-polvere
2. Pulsante di rilascio
3. Interruttore di accensione
4. Indicatore di carica
5. Base di ricarica

Fig. A

6. Bocchetta a lancia
7. Accessorio aspiraliquidi

Identificazione del prodotto

Il modello può essere determinato dai suffissi dei codici usati per i numeri di catalogo. Nel presente manuale si descrivono i seguenti numeri di catalogo:

- ◆ WD60XXY/WD72XXY.

Il suffisso XX corrisponde ai seguenti modelli:

- ◆ 15: Tutti i modelli, forniti con una bocchetta a lancia piccola e una aspiraliquidi.

Il suffisso Y identifica la gamma di colori/finiture disponibili.

Il suffisso Y rappresentato dalla lettera N è usato per i modelli dotati di batteria NiMH.

Montaggio

Montaggio a parete della base di ricarica

La base di ricarica può essere sistemata su un piano di lavoro o fissata a parete per avere un posto comodo dove riporre l'elettrodomestico e dove ricaricarlo.

Attenzione! Non montare l'alimentatore sopra a una presa elettrica o ad altri apparecchi elettrici, in caso di versamento d'acqua dall'elettrodomestico.

Quando si fissa la base sulla parete, accertarsi che il metodo usato sia idoneo al tipo di parete e al peso dell'elettrodomestico.

Assemblaggio

Montaggio degli accessori (figg. A e B)

Questi modelli sono forniti con alcuni o con tutti gli accessori elencati di seguito.

- ◆ Una bocchetta a lancia (6) per spazi limitati.
- ◆ Una bocchetta aspiraliquidi (7) per i versamenti di liquidi.

Gli accessori si montano come descritto di seguito:

- ◆ Prendere gli accessori dall'apposita sede sull'elettrodomestico o sulla base di ricarica (5) (figg. I e J).
- ◆ Inserire l'accessorio desiderato nella parte frontale dell'elettrodomestico.

Rischi residui

Altri rischi residui che possono sorgere durante l'impiego dell'elettrodomestico e che possono non essere stati contemplati dagli allegati avvisi di sicurezza. Tali rischi possono sorgere a seguito di un uso prolungato o improprio, ecc.

Perfino adottando gli appositi regolamenti di sicurezza e utilizzando i dispositivi di sicurezza, certi rischi residui non possono essere evitati. Essi comprendono:

- ◆ Lesioni causate o subite a seguito del contatto con parti rotanti/in movimento.
- ◆ Lesioni causate o subite durante la sostituzione di parti, lame o accessori.
- ◆ Lesioni causate dall'impiego prolungato di un elettrodomestico. Quando si usa qualsiasi elettrodomestico per lunghi periodi, accertarsi di fare regolarmente delle pause.
- ◆ Problemi di udito.
- ◆ Rischi per la salute causati dall'aspirazione di polvere generata dall'utilizzo dell'elettrodomestico (ad esempio quando si lavora con il legno, in modo particolare quello di quercia, faggio o l'MDF).

Utilizzo

- ◆ Prima dell'utilizzo, caricare la batteria per almeno 24 ore.
- ◆ Appoggiare sempre l'elettrodomestico sulla base di ricarica quando non è utilizzato.

Ricarica della batteria (fig. C)

Prima della ricarica della batteria:

- ◆ Accertarsi che l'elettrodomestico sia spento. La batteria non si ricarica se l'interruttore di accensione (3) è regolato su acceso.
- ◆ Appoggiare l'elettrodomestico sulla base di ricarica (5) come illustrato.
- ◆ Collegare l'alimentatore. Accendere l'alimentazione di rete.

L'indicatore di carica (4) si accende.

- ◆ Lasciare che l'elettrodomestico si ricarichi per almeno 24 ore.

Durante la ricarica, l'alimentatore potrebbe riscaldarsi. Si tratta di un fatto normale che non indica che vi è un problema. L'elettrodomestico può essere lasciato collegato indefinitamente all'alimentatore. L'indicatore di carica (4)

si accende se l'elettrodomestico è collegato all'alimentatore a sua volta collegato a una presa elettrica.

Attenzione! Non caricare la batteria a temperature ambiente inferiori a 10°C o superiori a 40°C.

Accensione e spegnimento (fig. D)

- ◆ Per accendere l'elettrodomestico, far scorrere in avanti l'interruttore di accensione (3).
- ◆ Per spegnere l'elettrodomestico, far scorrere indietro l'interruttore di accensione (3).

Aspirazione di liquidi (fig. A)

Usare la bocchetta aspiraliquidi (7) su superfici non assorbenti.

- ◆ Per ottenere i migliori risultati quando si usa questo accessorio, inclinare l'elettrodomestico a 45° e tirarlo lentamente verso sé stessi.
- ◆ Su superfici assorbenti, tipo la moquette, l'elettrodomestico aspira meglio i versamenti liquidi senza la bocchetta.

Pulizia e manutenzione

Attenzione! Pulire regolarmente i filtri e il deflettore (8 e 9).

Pulitura della bocchetta raccogli-polvere e dei filtri (figg. E - H)

Per poter mantenere la massima forza aspirante, pulire regolarmente il filtro durante l'impiego.

Il filtro è riutilizzabile e deve essere pulito regolarmente.

- ◆ Premere il pulsante di rilascio (2) ed estrarre la bocchetta raccogli-polvere (1).
- ◆ Estrarre il filtro e il deflettore (8 e 9) dalla bocchetta raccogli-polvere (1) (fig. F). Alla base del deflettore (8) vi è un piccolo labbro (10) che ne facilita l'estrazione dalla bocchetta raccogli-polvere (1).
- ◆ Spazzolare via l'eventuale polvere presente sul filtro e sul deflettore (8 e 9).
- ◆ Svuotare la bocchetta raccogli-polvere (1) (fig. G).

- ◆ Lavare il filtro e il deflettore (8 e 9) in acqua calda e detergente adatto (fig. H). Se necessario, è anche possibile lavare la bocchetta raccogli-polvere (1).

Attenzione! Non immergere l'elettrodomestico in acqua.

- ◆ Accertarsi che la bocchetta raccogli-polvere (1) e il filtro e il deflettore (8 e 9) siano asciutti.
- ◆ Rimettere il filtro e il deflettore (8 e 9) nella bocchetta raccogli-polvere (1). Accertarsi che si aggancino in sede.
- ◆ Rimontare la bocchetta raccogli-polvere (1) sull'elettrodomestico. Accertarsi che la bocchetta raccogli-polvere si agganci in sede.

Attenzione! Non usare mai l'elettrodomestico senza il filtro. La raccolta ottimale della polvere si ottiene solo con i filtri puliti.

Sostituzione dei filtri

Il filtro deve essere sostituito ogni 6 - 9 mesi e quando è usurato o danneggiato. Il filtro di ricambio (8) è reperibile presso il rivenditore Black & Decker (n. cat. WVF70):

- ◆ Estrarre il vecchio filtro come descritto in precedenza.
- ◆ Inserire il nuovo filtro come descritto qui sopra.

Conservazione degli accessori (figg. I e J)

- ◆ Premere gli accessori nei rispettivi supporti fino a quando si agganciano in sede.

Protezione dell'ambiente



Raccolta differenziata. Questo prodotto non deve essere smaltito con i normali rifiuti domestici.

Nel caso in cui l'elettrodomestico Black & Decker debba essere sostituito o non sia più necessario, non smaltirlo con i normali rifiuti domestici. Metterlo da parte per la raccolta differenziata.



La raccolta differenziata dei prodotti e degli imballaggi utilizzati consente il riciclaggio dei materiali e il loro continuo utilizzo. Il riutilizzo dei materiali riciclati favorisce la protezione dell'ambiente prevenendo l'inquinamento e riduce il fabbisogno di materie prime.

Seguire la regolamentazione locale per la raccolta differenziata dei prodotti elettrici che può prevedere punti di raccolta o la consegna dell'elettrodomestico al rivenditore presso il quale viene acquistato un nuovo prodotto.

Black & Decker offre ai suoi clienti la possibilità di riciclare i prodotti Black & Decker che hanno esaurito la loro vita di servizio. Per usufruire di tale servizio, è sufficiente restituire il prodotto a qualsiasi tecnico autorizzato, incaricato della raccolta per conto dell'azienda.

Per individuare il tecnico autorizzato più vicino, rivolgersi alla sede Black & Decker locale, presso il recapito indicato nel presente manuale. In alternativa, un elenco completo di tutti i tecnici autorizzati Black & Decker e i dettagli completi sui contatti e i servizi post-vendita sono disponibili su Internet presso: www.2helpU.com.

Batteria (fig. K)

Se si desidera smaltire il prodotto personalmente, estrarre la batteria come descritto di seguito e smaltirla in base ai regolamenti in vigore.

- ◆ Prima di eseguire una ricarica, è preferibile lasciare che la batteria si scarichi del tutto facendo funzionare l'elettrodomestico fino a quando il motore si ferma.
- ◆ Premere il pulsante di rilascio (2) ed estrarre la bocchetta raccogli-polvere (1).
- ◆ Svitare le sette viti che tengono unito il corpo dell'elettrodomestico.

- ◆ Staccare a metà il coperchio dal vano.
- ◆ Per i numeri di catalogo WD60XXY e WD72XXY,
 - estrarre l'intero gruppo motore/ventilatore/batteria.
- ◆ Scollegare la batteria dal gruppo principale.
- ◆ Imballare la batteria in modo idoneo per evitare che i terminali possano essere cortocircuitati.
- ◆ Portare la batteria da un rivenditore autorizzato o presso un centro di riciclaggio di zona.

Una volta tolta, la batteria non può essere rimontata.

Dati tecnici

	WD60XXY H2	WD72XXY H2
Tensione	V c.c 6,0	7,2
Tipo di batteria	NiCd/NiMH	NiCd/NiMH
Peso	kg 1,0	1,1

Alimentatore	*A100015D	*A110020D
Modello	WD60XXY	WD72XXY
Tensione in ingresso	V c.a. 230	230
Tensione erogata	V.c.a. 10	11
Corrente erogata	mA 150	200
Tempo di carica approssimativo	h 24	24
Peso	kg 0,3	0,3

Livello di pressione sonora misurato in base a EN 60704-1: <70 dB (A)

Garanzia

Certa della qualità dei suoi prodotti, Black & Decker offre una garanzia eccezionale. Il presente certificato di garanzia è complementare ai diritti legali e non li pregiudica in alcun modo. La garanzia è valida entro il territorio degli Stati membri dell'Unione Europea e dell'EFTA (European Free Trade Area).

Se un prodotto Black & Decker risulta difettoso per qualità del materiale, della costruzione o per mancata conformità entro 24 mesi dalla data di acquisto, Black & Decker garantisce la sostituzione

delle parti difettose, provvede alla riparazione dei prodotti se ragionevolmente usurati oppure alla loro sostituzione, in modo da ridurre al minimo il disagio del cliente a meno che:

- ◆ Il prodotto non sia stato destinato ad usi commerciali, professionali o al noleggio;
- ◆ Il prodotto non sia stato usato in modo improprio o scorretto;
- ◆ Il prodotto non abbia subito danni causati da oggetti o sostanze estranee oppure incidenti;
- ◆ Il prodotto non abbia subito tentativi di riparazione non effettuati da

tecnici autorizzati né dall'assistenza Black & Decker.

Per attivare la garanzia è necessario esibire la prova comprovante l'acquisto al venditore o al tecnico autorizzato. Per individuare il tecnico autorizzato più vicino, rivolgersi alla sede Black & Decker locale, presso il recapito indicato nel presente manuale. Altrimenti un elenco completo di tutti i tecnici autorizzati Black & Decker e i dettagli completi sui contatti e i servizi post-vendita sono disponibili su Internet presso:

www.2helpU.com

I clienti che desiderano registrare il nuovo prodotto Black & Decker e ricevere gli aggiornamenti sui nuovi prodotti e le offerte speciali, sono invitati a visitare il sito Web (**www.blackanddecker.it**).

Ulteriori informazioni sul marchio e la gamma di prodotti Black & Decker sono disponibili all'indirizzo

www.blackanddecker.it.

Beoogd gebruik

Deze Black & Decker Dustbuster® is ontworpen als handstofzuiger voor lichte natte of droge stofzuigwerkzaamheden. Het apparaat is uitsluitend bestemd voor huishoudelijk gebruik.

Ontwerp- en octrooigegevens

Europese ontwerpregistratienummers:

- ◆ 607643-0001
- ◆ 607668-0001
- ◆ 607650-0001

Veiligheidsinstructies

Waarschuwing! Bij apparaten voor gebruik op accu's moeten bepaalde elementaire voorzorgsmaatregelen, waaronder de navolgende, altijd in acht worden genomen om het gevaar voor brand, lekkende accu's, persoonlijk letsel en materiële schade tot een minimum te beperken.

- ◆ Lees deze handleiding zorgvuldig door voordat u het apparaat in gebruik neemt.
- ◆ In deze handleiding wordt ingegaan op het beoogde gebruik. Het gebruik van andere accessoires of hulpstukken dan wel de uitvoering van andere handelingen dan in deze gebruikershandleiding worden aanbevolen, kan tot persoonlijk letsel leiden.
- ◆ Bewaar deze handleiding zorgvuldig zodat u deze altijd nog eens kunt raadplegen.

Gebruik van het apparaat

- ◆ Gebruik het apparaat nooit voor het opzuigen van vloeistoffen of materialen die vlam kunnen vatten.
- ◆ Dit product is uitsluitend bedoeld voor het opzuigen van een matige hoeveelheid vloeistof. Maak het product regelmatig leeg om overlopen te voorkomen.
- ◆ Dompel het apparaat niet onder in water.
- ◆ Trek de oplader nooit aan het snoer uit het stopcontact. Houd de oplader uit de buurt van warmtebronnen, olie en scherpe randen.

- ◆ Dit apparaat mag niet zonder supervisie worden gebruikt door jonge of lichamelijk zwakke mensen. Houd toezicht op kinderen om ervoor te zorgen dat zij niet met het apparaat gaan spelen.

Na gebruik

- ◆ Neem de lader uit het stopcontact voordat u de lader of laadhouder schoonmaakt.
- ◆ Bewaar het apparaat na gebruik op een droge plaats.
- ◆ Zorg dat het bewaarde apparaat niet toegankelijk is voor kinderen.

Inspectie en reparaties

- ◆ Controleer het apparaat vóór gebruik op beschadigingen en defecten. Controleer het vooral op gebroken onderdelen, schade aan de schakelaars en andere omstandigheden die de werking ervan kunnen beïnvloeden.
- ◆ Gebruik het apparaat niet in geval van een of meer beschadigde of defecte onderdelen.
- ◆ Laat beschadigde of defecte onderdelen door een van onze servicecentra repareren of vervangen.
- ◆ Controleer het snoer van de lader regelmatig op beschadigingen. Vervang de lader als het snoer beschadigd of defect is.
- ◆ Probeer nooit andere onderdelen te verwijderen of vervangen dan in deze handleiding zijn vermeld.

Veiligheid van anderen

- ◆ Dit apparaat mag niet worden gebruikt door personen (waaronder kinderen) die lichamelijk of geestelijk minder valide zijn of die geen ervaring met of kennis van dit apparaat hebben, tenzij deze onder toezicht staan of instructies krijgen voor het gebruik van het apparaat van een persoon die verantwoordelijk is voor hun veiligheid.

- ◆ Houd toezicht op kinderen om ervoor te zorgen dat zij niet met het apparaat gaan spelen.

Aanvullende veiligheidsinstructies – accu's en laders

Accu's

- ◆ Probeer accu's niet te openen, om welke reden ook.
- ◆ Stel de accu niet bloot aan water.
- ◆ Stel de accu niet bloot aan hitte.
- ◆ Bewaar de accu niet op locaties met temperaturen die hoger zijn dan 40°C.
- ◆ Laad de accu alleen op bij een omgevingstemperatuur tussen 10 en 40°C.
- ◆ Gebruik alleen de lader die bij het gereedschap/apparaat is geleverd. Het gebruik van de verkeerde lader kan resulteren in een elektrische schok of oververhitting van de accu.
- ◆ Gooi lege accu's weg volgens de instructies in het gedeelte "Milieu".
- ◆ De accubehuizing mag niet worden beschadigd of vervormd door er gaten in te laten komen of ertegen aan te stoten, aangezien dit kan leiden tot letsel of brand.
- ◆ Laad beschadigde accu's niet op.
- ◆ Onder extreme omstandigheden kunnen accu's lekkages vertonen. Wanneer de accu nat of vochtig is, veegt u de vloeistof voorzichtig af met een doek. Vermijd huidcontact.
- ◆ Bij huid- of oogcontact volgt u de onderstaande instructies.

Waarschuwing! De accuvloeistof kan letsel of materiële schade veroorzaken. Bij huidcontact moet u de vloeistof direct afspoelen met water. Raadpleeg uw huisarts als er rode vlekken ontstaan of bij een pijnlijke of geïrriteerde huid. Bij oogcontact moet u de vloeistof direct afspoelen met water en uw huisarts raadplegen.

Laders

De lader is ontworpen voor een specifieke spanning. Controleer altijd of de netspanning overeenkomt met de waarde op het typeplaatje.

Waarschuwing! Probeer de lader nooit te vervangen door een normale netstekker.

- ◆ Gebruik de lader van Black & Decker alleen voor de accu in het gereedschap/apparaat waarbij de lader is bijgeleverd. Andere accu's kunnen exploderen met letsel en materiële schade als gevolg.
- ◆ Niet-laadbare accu's mogen nooit worden opgeladen.
- ◆ Als het netsnoer is beschadigd, moet dit worden vervangen door de fabrikant of een Black & Decker-servicecentrum om gevaren te voorkomen.
- ◆ Stel de lader niet bloot aan water.
- ◆ Open de lader niet.
- ◆ Prik nooit met een scherp voorwerp in de lader.
- ◆ Laad het apparaat/het gereedschap/ de accu in een goed geventileerde locatie op.

Elektrische veiligheid

De lader is ontworpen voor een specifieke spanning. Controleer altijd of de netspanning overeenkomt met de waarde op het typeplaatje. Probeer nooit om de oplaadeenheid door een normale netstekker te vervangen.

Symbolen op de lader



Lees deze handleiding zorgvuldig door.



De lader is dubbel geïsoleerd, zodat een aardaansluiting niet noodzakelijk is.



Storingsvrije scheidingstransformator. De netspanning is elektrisch van de transformatoruitgang gescheiden.



De lader wordt automatisch uitgeschakeld als de omgevingstemperatuur te ver oploopt. Hierdoor zal de lader onbruikbaar worden. Neem de lader in dat geval uit het stopcontact en laat deze door een erkend servicecentrum repareren.



De laadhouder is uitsluitend bestemd voor binnengebruik.

Onderdelen

1. Zuigbuis
2. Ontgrendelingsknop
3. Aan/uit-schakelaar
4. Oplaadindicator
5. Laadhouder

Fig. A

6. Spleetzuiger
7. Hulpstuk voor nat opzuigen

Productidentificatie

Het modeltype wordt aangeduid door de suffixcode van het catalogusnummer. In deze handleiding worden de volgende catalogusnummers beschreven.

- ◆ WD60XXY/WD72XXY.

De suffixcode XX staat voor de volgende typen:

- ◆ 15: Alle apparaten, geleverd met een kleine spleetzuiger en een hulpstuk voor nat opzuigen.

Met de suffixcode Y wordt de kleur en afwerking van het apparaat aangegeven.

De suffixcode Y die wordt aangeduid met de letter N wordt gebruikt voor modellen met een NiMH-batterij.

Installatie

Laadhouder aan de wand monteren

De laadhouder kan op een werkvlak worden geplaatst of aan de wand worden gemonteerd, om het apparaat gemakkelijk te kunnen opbergen en opladen.

Waarschuwing! Bevestig uw lader niet boven een stopcontact of een ander elektrisch apparaat voor het geval dat er water uit uw apparaat lekt.

Selecteer bij wandmontage een bevestigingsmethode die geschikt is voor het betreffende wandtype en het gewicht van het apparaat.

Montage

Hulpstukken plaatsen (fig. A & B)

Bij deze modellen worden een of meer van de volgende hulpstukken meegeleverd:

- ◆ Een spleetzuiger (6) voor smalle kieren.
- ◆ Een hulpstuk voor nat opzuigen (7) waarmee u natte plekken kunt opzuigen.

Een hulpstuk aanbrengen:

- ◆ Neem het hulpstuk uit de opberglocatie van het apparaat of de laadhouder (5) (fig. I & J).
- ◆ Plaats het hulpstuk in de voorzijde van het apparaat.

Overige risico's

Er kunnen zich tijdens het gebruik van het gereedschap ook andere risico's voordoen die misschien niet in de bijgevoegde veiligheidswaarschuwingen worden vermeld. Deze risico's kunnen zich voordoen als gevolg van onoordeelkundig gebruik, langdurig gebruik, enz.

Zelfs als de veiligheidsvoorschriften in acht worden genomen en de veiligheidsvoorzieningen worden

geïmplementeerd, kunnen bepaalde risico's niet worden vermeden. Deze omvatten:

- ◆ Verwondingen die worden veroorzaakt door het aanraken van draaiende of bewegende onderdelen.
- ◆ Verwondingen die worden veroorzaakt bij het vervangen van onderdelen, bladen of accessoires.
- ◆ Verwondingen die worden veroorzaakt door langdurig gebruik van het gereedschap. Als u langere periodes met het gereedschap werkt, is het raadzaam om regelmatig een pauze in te lassen.
- ◆ Gehoorbeschadiging.
- ◆ Gezondheidsrisico's als gevolg van het inademen van stof dat door gebruik van het gereedschap wordt veroorzaakt (bijvoorbeeld tijdens het werken met hout, vooral eiken, beuken en MDF).

Gebruik

- ◆ Laad de batterij vóór het eerste gebruik gedurende ten minste 24 uur op.
- ◆ Plaats het apparaat op de laadhouder als dit niet wordt gebruikt.

De accu opladen (fig. C)

Voer de volgende handelingen uit voordat u de batterij oplaadt:

- ◆ Zorg ervoor dat het apparaat uitgeschakeld is. De batterij wordt niet opgeladen als de aan/uit-schakelaar (3) in de aan-stand staat.
- ◆ Plaats het apparaat zoals weergegeven op de laadhouder (5).
- ◆ Plaats de lader in het stopcontact. Schakel zonodig de netspanning in.

De oplaadindicator (4) gaat branden.

- ◆ Laat het apparaat ten minste 24 uur opladen.

Tijdens het opladen kan de lader warm worden. Dit is normaal en wijst niet op een probleem. Het apparaat kan voor onbepaalde tijd met de lader verbonden blijven. De oplaadindicator (4) blijft

branden zo lang het apparaat zich op de laadhouder bevindt en de lader op het stopcontact is aangesloten.

Waarschuwing! Laad de batterij niet op bij omgevingstemperaturen onder 10°C of boven 40°C.

In- en uitschakelen (fig. D)

- ◆ Schuif de aan/uit-schakelaar (3) naar voren in om het apparaat in te schakelen.
- ◆ Schuif de aan/uit-schakelaar (3) naar achteren om het apparaat uit te schakelen.

Nat opzuigen (fig. A)

Gebruik het hulpstuk voor nat opzuigen (7) op niet-absorberende oppervlakken.

- ◆ Voor de beste resultaten met dit hulpstuk houdt u het apparaat in een hoek van 45° en trekt u dit langzaam naar u toe.
- ◆ Op absorberende oppervlakken zoals tapijt kan het apparaat natte plekken beter opzuigen zonder het hulpstuk.

Reiniging en onderhoud

Waarschuwing! Reinig de filter en de deflector regelmatig (8 & 9).

Zuigbuis en filters reinigen (fig. E - H)

Voor een optimale zuigkracht moet de filter tijdens het gebruik regelmatig worden gereinigd.

De filter is herbruikbaar en moet regelmatig worden gereinigd.

- ◆ Druk op de ontgrendelingsknop (2) en verwijder de zuigbuis (1).
- ◆ Verwijder de filter en deflector (8 & 9) uit de zuigbuis (1) (fig. F). Er bevindt zich een lipje (10) onderaan op de deflector (8) waarmee u deze van de zuigbuis (1) kunt verwijderen.
- ◆ Borstel eventueel stof weg van de filter en deflector (8 & 9).
- ◆ Maak de zuigbuis leeg (1) (fig. G).
- ◆ Was de filter en deflector (8 & 9) in een warm sopje uit (fig. H). Indien nodig kan de zuigbuis (1) ook worden gewassen.

Waarschuwing! Dompel het apparaat niet onder in water.

- ◆ Zorg ervoor dat de zuigbuis (1) en de filter en deflector (8 & 9) droog zijn.
- ◆ Plaats de filter en deflector (8 & 9) in de zuigbuis (1). Zorg ervoor dat alles goed vastklikt.
- ◆ Bevestig de zuigbuis (1) weer aan het apparaat. Zorg ervoor dat de buis vastklikt.

Waarschuwing! Gebruik het apparaat nooit zonder de filter. Het apparaat werkt alleen optimaal bij schone filters.

Filters vervangen

De filter moet om de 6 à 9 maanden of bij tussentijdse slijtage of beschadiging worden vervangen. Vervangende filters (8) zijn verkrijgbaar via uw Black & Decker-leverancier (cat. nr. WVF70):

- ◆ Verwijder de oude filter op de hiervoor beschreven wijze.
- ◆ Plaats de nieuwe filter op de hiervoor beschreven wijze.

Hulpstukken opbergen (fig. I & J)

- ◆ Druk de hulpstukken in de toepasselijke houders tot deze vastklikken.

Milieu



Gescheiden inzameling. Dit product mag niet met normaal huishoudelijk afval worden weggegooid.

Mocht u op een dag constateren dat het Black & Decker-product aan vervanging toe is of dat u het apparaat niet meer nodig hebt, gooi het product dan niet bij het restafval. Het product valt onder de categorie voor kleine elektrische apparaten.



Gescheiden inzameling van gebruikte producten en verpakkingsmaterialen maakt het mogelijk materialen te recyclen en opnieuw te gebruiken. Hergebruik van gerecycleerde materialen zorgt voor minder milieuvervuiling en dringt de vraag naar grondstoffen terug.

Plaatselijke verordeningen kunnen voorzien in gescheiden inzameling van huishoudelijke elektrische producten via gemeentelijke stortplaatsen of via de leverancier bij wie u een nieuw product aanschaft.

Black & Decker biedt de mogelijkheid tot het recyclen van afgedankte Black & Decker-producten. Om gebruik te maken van deze service, dient u het product naar een van onze servicecentra te sturen, die de inzameling voor ons verzorgen.

U kunt het adres van het dichtstbijzijnde servicecentrum opvragen via de adressen op de achterzijde van deze handleiding. U kunt ook een lijst van onze servicecentra en meer informatie over onze klantenservice vinden op het volgende internetadres:

www.2helpU.com.

Batterij (fig. K)



Als u het product zelf wilt afvoeren, moet u de accu op de hierna beschreven wijze verwijderen en conform de geldende voorschriften afvoeren.

- ◆ Ontlaad de batterij door het apparaat te laten werken tot de motor stopt.
- ◆ Druk op de ontgrendelingsknop (2) en verwijder de zuigbuis (1).
- ◆ Verwijder de zeven schroeven waarmee de behuizing van het apparaat vastzit.
- ◆ Trek het deksel voorzichtig half los.
- ◆ Bij catalogusnummers WD60XXY & WD72XXY:

- Til de motor/ventilator/batterij-eenheid in zijn geheel uit het apparaat.
- ◆ Haal de batterij los van de hoofdeenheid.
- ◆ Plaats de batterij in een geschikte verpakking om ervoor te zorgen dat

er geen kortsluiting tussen de polen kan ontstaan.

- ◆ Breng de batterij naar het servicecentrum of een inzamellocatie in uw woonplaats.

Plaats een verwijderde batterij niet meer terug in het apparaat.

Technische gegevens

	WD60XXY H2	WD72XXY H2
Spanning	Vdc 6,0	7,2
Type accu	NiCd/NiMH	NiCd/NiMH
Gewicht	kg 1,0	1,1

Lader	*A100015D	*A110020D
Model	WD60XXY	WD72XXY
Ingangsspanning	Vac 230	230
Uitgangsspanning	Vac 10	11
Uitgangsstroom	mA 150	200
Oplaadtijd ca.	h 24	24
Gewicht	kg 0,3	0,3

Geluidsdrukkniveau, volgens EN 60704-1: <70 dB(A)

Garantie

Black & Decker heeft vertrouwen in haar producten en biedt een uitstekende garantie. Deze garantiebepalingen vormen een aanvulling op uw wettelijke rechten en beperken deze niet. De garantie geldt in de lidstaten van de Europese Unie en de Europese Vrijhandelsassociatie.

Mocht uw Black & Decker product binnen 24 maanden na de datum van aankoop defect raken ten gevolge van materiaal- of constructiefouten, dan garanderen wij de kosteloze vervanging van defecte onderdelen, de reparatie van het product of de vervanging van het product, tenzij:

- ◆ Het product is gebruikt voor handelsdoeleinden, professionele toepassingen of verhuurdoeleinden;
- ◆ Het product onoordeelkundig is gebruikt;
- ◆ Het product is beschadigd door invloeden van buitenaf of door een ongeval;

- ◆ Reparaties zijn uitgevoerd door anderen dan onze servicecentra of Black & Decker-personeel.

Om een beroep te doen op de garantie, dient u een aankoopbewijs te overhandigen aan de verkoper of een van onze servicecentra. U kunt het adres van het dichtstbijzijnde servicecentrum opvragen via de adressen op de achterzijde van deze handleiding. U kunt ook een lijst van onze servicecentra en meer informatie m.b.t. onze klantenservice vinden op het volgende internetadres:

www.2helpU.com

Meld u aan op onze website **www.blackanddecker.nl** om te worden geïnformeerd over nieuwe producten en speciale aanbiedingen. Meer informatie over het merk Black & Decker en onze producten vindt u op **www.blackanddecker.nl**.

Uso previsto

La aspiradora de mano Dustbuster® de Black & Decker se ha diseñado para proporcionar una limpieza suave mediante aspiración en seco o húmedo. Este aparato está pensado únicamente para uso doméstico.

Información sobre el diseño y la patente

Números de registro del diseño en la CE:

- ◆ 607643-0001
- ◆ 607668-0001
- ◆ 607650-0001

Instrucciones de seguridad

¡Atención! Si utiliza aparatos que funcionan con batería, es necesario seguir las precauciones de seguridad básicas, incluidas las que se indican a continuación, para reducir el riesgo de incendios, derrame de líquido de baterías, lesiones y daños materiales.

- ◆ Lea todo el manual detenidamente antes de utilizar el aparato.
- ◆ En este manual se describe el uso para el que se ha diseñado el aparato. La utilización de accesorios o la realización de operaciones distintas de las recomendadas en este manual de instrucciones puede presentar un riesgo de lesiones.
- ◆ Conserve este manual para futuras consultas.

Utilización del aparato

- ◆ No utilice el aparato para recoger ningún líquido ni material inflamable.
- ◆ Este producto se ha diseñado para aspirar pequeñas cantidades de líquido y debe vaciarse con regularidad para evitar que el colector se llene demasiado.
- ◆ No introduzca el aparato en agua.
- ◆ No tire del cable para desconectar el cargador de la toma de corriente. Mantenga el cable del cargador alejado de temperaturas elevadas, aceites y bordes afilados.
- ◆ Este aparato no ha sido concebido para ser utilizado por jóvenes ni personas discapacitadas sin

supervisión. Debe vigilarse a los niños para asegurarse de que no jueguen con el aparato.

Después de la utilización

- ◆ Desenchufe el cargador antes de limpiar dicho cargador o su respectiva base.
- ◆ Cuando no esté utilizando el aparato, guárdelo en un lugar seco.
- ◆ Los niños no deben tener acceso a los aparatos guardados.

Inspecciones y reparaciones

- ◆ Antes de utilizarlo, compruebe que el aparato no tiene piezas dañadas o defectuosas. Compruebe que no hay piezas rotas, que los interruptores no están dañados y que no existen otros defectos que puedan afectar al funcionamiento del aparato.
- ◆ No utilice el aparato si presenta alguna pieza dañada o defectuosa.
- ◆ Solicite al servicio técnico autorizado la reparación o sustitución de las piezas dañadas o defectuosas.
- ◆ Compruebe con regularidad que el cable del cargador no ha sufrido daños. Sustituya el cargador si el cable está dañado o es defectuoso.
- ◆ Nunca intente extraer o sustituir piezas no especificadas en este manual.

La seguridad de terceros

- ◆ Ninguna persona (incluidos los niños) con capacidades físicas, sensoriales o mentales disminuidas, o que carezca de experiencia y conocimientos, debe utilizar este aparato, salvo que haya recibido supervisión o formación con respecto al uso del aparato por parte de una persona responsable de su seguridad.
- ◆ Los niños deben vigilarse en todo momento para garantizar que el aparato no se tome como elemento de juego.

Instrucciones de seguridad adicionales: baterías y cargadores

Baterías

- ◆ No intente abrirlas bajo ningún concepto.
- ◆ No exponga la batería al agua.
- ◆ No exponga la batería al calor.
- ◆ No guarde la batería en lugares en los que la temperatura pueda superar los 40 °C.
- ◆ Realice la carga únicamente a una temperatura ambiente de entre 10°C y 40°C.
- ◆ Utilice únicamente el cargador suministrado con el aparato o la herramienta para realizar la carga. La utilización de un cargador incorrecto podría provocar una descarga eléctrica o el recalentamiento de la batería.
- ◆ Para desechar las pilas o las baterías, siga las instrucciones facilitadas en la sección "Protección del medio ambiente".
- ◆ No dañe ni deforme la batería mediante perforaciones o golpes, ya que puede suponer un riesgo de incendio y de lesiones.
- ◆ No cargue baterías dañadas.
- ◆ Es posible que se produzcan fugas en las baterías en condiciones extremas. Cuando observe que se producen fugas en las baterías, limpie cuidadosamente el líquido con un paño. Evite el contacto con la piel.
- ◆ En caso de que se produzca contacto con la piel o los ojos, siga las instrucciones facilitadas a continuación.

¡Atención! El líquido de las baterías puede provocar lesiones personales o daños materiales. En caso de que se produzca contacto con la piel, lave la zona con agua inmediatamente. Si se produce enrojecimiento, dolor o irritación, solicite atención médica. En caso de contacto con los ojos, lave la zona inmediatamente con agua limpia y solicite atención médica.

Cargadores

El cargador se ha diseñado para un voltaje específico. Cada vez que utilice el aparato, debe comprobar que el voltaje de la red eléctrica corresponde con el valor indicado en la placa de características.

¡Atención! No intente sustituir el cargador por un enchufe convencional para la red eléctrica.

- ◆ Para cargar la batería del aparato o herramienta, utilice únicamente el cargador Black & Decker suministrado. En caso de intentar cargar otras baterías, estas podrían explotar, lo que podría provocar lesiones y daños personales.
- ◆ Nunca intente cargar baterías no recargables.
- ◆ Si se dañara el cable de alimentación, deberá ser sustituido por el fabricante o por un centro de asistencia técnica autorizado de Black & Decker para evitar cualquier situación de riesgo.
- ◆ No exponga el cargador al agua.
- ◆ No abra el cargador.
- ◆ No aplique ningún dispositivo para medir la resistencia del cargador.
- ◆ El aparato, la herramienta o la batería debe colocarse en una zona bien ventilada durante la carga.

Seguridad eléctrica

El cargador se ha diseñado para un voltaje específico. Cada vez que utilice el aparato, debe comprobar que el voltaje de la red eléctrica corresponde con el valor indicado en la placa de características. No intente sustituir el cargador por un enchufe convencional para la red eléctrica.

Símbolos del cargador



Lea este manual con atención.



El cargador está provisto de doble aislamiento, por lo que no requiere una toma de tierra.



Transformador con aislamiento a prueba de fallos. El circuito eléctrico de la toma de corriente está aislado de la salida del transformador.



El cargador se apaga automáticamente si detecta que la temperatura ambiente es excesivamente elevada. En este caso, el cargador no se podrá utilizar. Deberá desconectar la base del cargador de la toma de corriente y llevar el cargador a un centro de servicio autorizado.



La base del cargador está pensada únicamente para utilizarla en espacios interiores.

Características

1. Colector de polvo
2. Botón de liberación
3. Interruptor ON/OFF (encendido/apagado)
4. Indicador de carga
5. Base del cargador

Fig. A

6. Accesorio para hendiduras
7. Accesorio de recolección de líquidos

Identificación del producto

Es posible determinar el diseño del modelo por los códigos de sufijo que se utilizan en el número del catálogo. En este manual se describen los siguientes números del catálogo.

- ◆ WD60XXY/WD72XXY.

El código de sufijo XX corresponde a los diseños siguientes:

- ◆ 15: todas las unidades; se suministra con un pequeño accesorio para hendiduras y un accesorio de recolección de líquidos.

El código de sufijo Y se utiliza para identificar la gama de colores y opciones de acabado.

El código de sufijo Y representado por la letra N se utiliza en aquellos modelos que incorporan una batería NiMH.

Instalación

Montaje de la base del cargador en la pared

La base del cargador puede colocarse sobre una superficie o bien en la pared, proporcionando un almacenaje más cómodo y un soporte de carga para el aparato.

¡Atención! Para evitar accidentes en caso de que gotee agua del aparato, no monte el cargador sobre una toma de corriente u otros aparatos eléctricos.

Si fija dicha base a la pared, asegúrese de que el método de fijación sea el adecuado para el tipo de pared y el peso del aparato.

Montaje

Montaje de los accesorios (fig. A y B)

Estos modelos contienen los accesorios siguientes o alguno de ellos:

- ◆ Un accesorio para hendiduras (6), para acceder a los rincones difíciles.
- ◆ Un accesorio de recolección de líquidos (7) para residuos líquidos.

Para montar un accesorio, siga el procedimiento indicado a continuación:

- ◆ Tome el accesorio de su posición de almacenamiento en el aparato o en la base del cargador (5) (fig. I y J).
- ◆ Introduzca el accesorio en la parte frontal del aparato.

Riesgos residuales

El uso de esta herramienta puede producir riesgos residuales adicionales

no incluidos en las advertencias de seguridad adjuntas. Estos riesgos se pueden generar por un uso incorrecto, demasiado prolongado, etc.

El cumplimiento de las normas de seguridad correspondientes y el uso de dispositivos de seguridad no evitan ciertos riesgos residuales. Estos riesgos incluyen:

- ◆ Lesiones producidas por el contacto con piezas móviles o giratorias.
- ◆ Lesiones producidas al cambiar cualquier pieza, cuchilla o accesorio.
- ◆ Lesiones producidas al usar una herramienta por un tiempo demasiado prolongado. Si utiliza una herramienta durante periodos de tiempo demasiado prolongados, asegúrese de realizar pausas con frecuencia.
- ◆ Discapacidad auditiva.
- ◆ Riesgos para la salud producidos al respirar el polvo que se genera al usar la herramienta (por ejemplo: en los trabajos con madera, especialmente de roble, haya y tableros de densidad mediana).

Uso

- ◆ Antes de utilizarlo por primera vez, la batería se debe cargar durante 24 horas como mínimo.
- ◆ Cuando no esté utilizando el aparato, colóquelo en la base del cargador.

Carga de la batería (Fig. C)

Antes de cargar la batería:

- ◆ Compruebe que el aparato está apagado. La batería no se cargará si el interruptor ON/OFF (encendido/apagado) (3) está en la posición de encendido.
- ◆ Coloque el aparato en la base del cargador (5) de la siguiente manera.
- ◆ Conecte el cargador. Conéctelo a la red eléctrica.

Se encenderá el indicador de carga (4).

- ◆ El aparato se debe cargar durante un mínimo de 24 horas.

Durante la carga, es posible que el cargador se caliente. Esto es normal y no indica ningún fallo en el funcionamiento. Se puede dejar el aparato conectado al cargador indefinidamente. El indicador de carga (4) permanecerá encendido siempre que el aparato esté conectado al cargador enchufado.

¡Atención! No cargue la batería a temperatura ambiente si es inferior a 10°C o superior a 40°C.

Encendido y apagado (Fig. D)

- ◆ Para encender el aparato, deslice el interruptor ON/OFF (encendido/apagado) (3) hacia delante.
- ◆ Para apagar el aparato, deslice el interruptor ON/OFF (encendido/apagado) (3) hacia atrás.

Recolección de líquidos (fig. A)

Utilice el accesorio de recolección de líquidos (7) en superficies no absorbentes.

- ◆ Para obtener óptimos resultados al utilizar este accesorio, sujete el aparato con un ángulo de 45° y tire de éste lentamente hacia usted.
- ◆ En superficies absorbentes como, por ejemplo, una alfombra, el aparato aspirará mejor los residuos líquidos sin instalar el accesorio.

Limpieza y mantenimiento

¡Atención! Limpie el filtro y el deflector de forma regular (8 y 9).

Limpieza del colector de polvo y los filtros (fig. E - H)

Para mantener la fuerza de succión del aparato, es necesario limpiar el filtro periódicamente.

El filtro es reutilizable y se debe limpiar con regularidad.

- ◆ Pulse el botón de liberación (2) y extraiga el colector de polvo (1).
- ◆ Extraiga el filtro y el deflector (8 y 9) del colector de polvo (1) (fig. F). En la parte inferior del deflector (8) hay un pequeño orificio (10) que le facilitará la extracción del colector de polvo (1).

- ◆ Limpie los restos de polvo que encuentre en el filtro y el deflector (8 y 9).
- ◆ Vacíe el colector de polvo (1) (fig. G).
- ◆ Lave el filtro y el deflector (8 y 9) en agua caliente con jabón (fig. H). También es posible limpiar el colector de polvo (1) si fuera necesario.

¡Atención! No introduzca el aparato en agua.

- ◆ Asegúrese de que el colector de polvo (1) y el filtro y el deflector (8 y 9) están secos.
- ◆ Vuelva a colocar el filtro y el deflector (8 y 9) en el colector de polvo (1). Asegúrese de que encajan correctamente.
- ◆ Vuelva a colocar el colector de polvo (1) en el aparato. Compruebe que el colector de polvo encaja en su lugar.

¡Atención! No utilice nunca el aparato sin filtro. Sólo conseguirá un óptimo rendimiento del aparato si los filtros están limpios.

Sustitución de los filtros

Es necesario cambiar el filtro cada 6 o 9 meses y cuando se gasten o se dañen. El filtro de repuesto (8) se encuentra disponible en el distribuidor Black & Decker más cercano (número de catálogo WVF70):

- ◆ Extraiga el filtro usado como se ha descrito anteriormente.
- ◆ Coloque el filtro nuevo como se ha descrito anteriormente.

Almacenamiento de los accesorios (fig. I y J)

- ◆ Coloque los accesorios en los soportes correspondientes y presione hasta que oiga un clic.

Protección del medio ambiente



Recogida selectiva. No se debe desechar este producto con el resto de residuos domésticos.

Si llegase el momento en que fuese necesario sustituir su producto Black & Decker o si éste dejase de tener utilidad para usted, no lo deseche junto con los residuos domésticos. Sepárelo para su recogida selectiva.



La recogida selectiva de productos y embalajes usados permite el reciclaje de materiales y su reutilización. La reutilización de materiales reciclados contribuye a evitar la contaminación medioambiental y reduce la demanda de materias primas.

Las normativas municipales deben ofrecer la recogida selectiva de productos eléctricos del hogar, en puntos municipales previstos para ello o a través del distribuidor en el caso en que se adquiera un nuevo producto.

Black & Decker proporciona facilidades para la recogida y reciclado de los productos Black & Decker que hayan llegado al final de su vida útil. Para poder utilizar este servicio, le rogamos entregue el producto a cualquier servicio técnico autorizado que se hará cargo del mismo en nuestro nombre.

Para consultar la dirección del servicio técnico más cercano póngase en contacto con la oficina local de Black & Decker en la dirección que se indica en este manual. Como alternativa, se puede consultar en Internet, en la dirección siguiente, la lista de servicios técnicos autorizados e información completa sobre nuestros servicios de postventa y contactos: www.2helpU.com.

Batería (fig. K)



Para desechar este producto personalmente, debe extraer la batería como se describe a continuación y desecharla según la legislación aplicable.

- ◆ Se recomienda descargar la batería totalmente, utilizando el aparato hasta que se detenga el motor.
- ◆ Pulse el botón de liberación (2) y extraiga el colector de polvo (1).
- ◆ Extraiga los siete tornillos mientras sujeta el cuerpo del aparato para que no se desmonte.

- ◆ Extraiga la cubierta a medias.
- ◆ Para los números de catálogo WD60XXY y WD72XXY,
 - extraiga el ensamblado completo de motor/ventilador/batería.
- ◆ Extraiga la batería del montaje principal.
- ◆ Ubique la batería en un embalaje adecuado para garantizar que no se pueda crear un cortocircuito con los terminales.
- ◆ Llévela a su agente de reparaciones o a un centro de reciclaje local.

Una vez extraída, la batería no se puede volver a colocar.

Características técnicas

	WD60XXY H2	WD72XXY H2
Voltaje	V de cc 6,0	7,2
Tipo de batería	NiCd/NiMH	NiCd/NiMH
Peso	kg 1,0	1,1

Cargador	*A100015D	*A110020D
Modelo	WD60XXY	WD72XXY
Voltaje de entrada	V de ca 230	230
Voltaje de salida	V de ca 10	11
Corriente de salida	mA 150	200
Tiempo de carga aproximado	h 24	24
Peso	kg 0,3	0,3

Nivel de presión de sonora de acuerdo con la directiva EN 60704-1: <70 dB (A)

Garantía

Black & Decker confía plenamente en la calidad de sus productos y ofrece una garantía extraordinaria. Esta declaración de garantía es un añadido, y en ningún caso un perjuicio para sus derechos estatutarios. La garantía es válida dentro de los territorios de los Estados miembros de la Unión Europea y de los de la Zona Europea de Libre Comercio.

Si cualquier producto de Black & Decker resultara defectuoso debido a materiales o mano de obra defectuosos o a la falta de conformidad, Black & Decker garantiza, dentro de los 24 meses posteriores a la fecha de compra, la

sustitución de las piezas defectuosas, la reparación de los productos sujetos a un desgaste y rotura razonables o la sustitución de tales productos para garantizar al cliente el mínimo de inconvenientes, a menos que:

- ◆ El producto se haya utilizado con propósitos comerciales, profesionales o de alquiler.
- ◆ El producto se haya sometido a un uso inadecuado o negligente.
- ◆ El producto haya sufrido daños causados por objetos o sustancias extrañas o accidentes.
- ◆ Se hayan realizado reparaciones por parte de personas que no sean del

servicio técnico autorizado o personal de servicios de Black & Decker.

Para reclamar en garantía, será necesario que presente la prueba de compra al vendedor o al servicio técnico de reparaciones autorizado. Pueden consultar la dirección de su servicio técnico más cercano poniéndose en contacto con la oficina local de Black & Decker en la dirección que se indica en este manual. Como alternativa, se puede consultar en Internet, en la dirección siguiente, la lista de servicios técnicos autorizados e información completa de nuestros servicios de postventa y contactos:

www.2helpU.com

Visite nuestro sitio web

www.blackanddecker.eu para registrar su nuevo producto Black & Decker y mantenerse al día sobre nuestros productos y ofertas especiales.

Encontrará más información acerca de la marca Black & Decker y de la gama de productos que ofrece en la dirección

www.blackanddecker.eu

Utilização

O seu aspirador portátil Black & Decker Dustbuster® foi concebido para limpezas leves de detritos líquidos e sólidos. Este aparelho destina-se apenas a utilização doméstica.

Informações sobre Design e Patentes

Números de Registo de Design CE:

- ◆ 607643-0001
- ◆ 607668-0001
- ◆ 607650-0001

Instruções de segurança

Advertência! Ao utilizar aparelhos alimentados a bateria, deve sempre cumprir medidas de segurança básicas, incluindo as seguintes, de modo a reduzir os riscos de incêndio, fuga do líquido da bateria, lesões pessoais e danos materiais.

- ◆ Leia cuidadosamente o manual completo antes de utilizar este aparelho.
- ◆ A utilização prevista para este aparelho está descrita no manual. A utilização de qualquer acessório ou a realização de qualquer operação com este aparelho que não se inclua no presente manual de instruções poderá representar um risco de ferimentos pessoais.
- ◆ Conserve este manual para referência futura.

Utilizar o seu aparelho

- ◆ Não utilize este aparelho para aspirar líquidos ou quaisquer materiais combustíveis.
- ◆ Este produto foi concebido apenas para pequenos detritos. Deve ser esvaziado regularmente para evitar um enchimento excessivo.
- ◆ Não mergulhe o aparelho em água.
- ◆ Nunca puxe pelo cabo do carregador para desligar o carregador da tomada. Mantenha o cabo do carregador afastado do calor, óleo e esquinas afiadas.
- ◆ Este aparelho não se destina a ser utilizado por jovens ou pessoas doentes sem supervisão. As

crianças deverão ser vigiadas para que não mexam no aparelho.

Após a utilização

- ◆ Desligue o carregador ou a base de carga antes de os limpar.
- ◆ Quando não estiver a ser utilizado, o aparelho deve ser armazenado num local seco.
- ◆ As crianças não devem ter acesso aos aparelhos armazenados.

Inspecção e reparações

- ◆ Antes da utilização, verifique o aparelho quanto a peças danificadas ou avariadas. Verifique se há peças partidas, danos nos interruptores ou outro tipo de condições que possam afectar o seu funcionamento.
- ◆ Não utilize este aparelho se alguma das suas peças estiver danificada ou com defeito.
- ◆ Qualquer peça com dano ou defeito deverá ser reparada ou substituída por um agente autorizado.
- ◆ Verifique regularmente se existem danos no cabo do carregador. Substitua o carregador se o cabo se encontrar danificado ou com defeito.
- ◆ Nunca tente retirar ou substituir quaisquer peças que não as especificadas neste manual.

Segurança de terceiros

- ◆ Este aparelho não deve ser utilizado por pessoas (incluindo crianças) que apresentem capacidades físicas, sensoriais ou mentais reduzidas ou que não possuam os conhecimentos e a experiência necessários, excepto se forem vigiadas e instruídas acerca da utilização do aparelho por uma pessoa responsável pela sua segurança.
- ◆ As crianças deverão ser vigiadas para que não mexam no aparelho.

Instruções de segurança adicionais para baterias e carregadores

Baterias

- ◆ Nunca tente abrir a bateria por motivo algum.

- ◆ Não exponha a bateria à água.
- ◆ Não exponha a bateria ao calor.
- ◆ Não armazene em locais onde a temperatura possa exceder os 40°C.
- ◆ Carregue apenas a temperaturas ambiente entre 10°C e 40°C.
- ◆ Carregue apenas com o carregador fornecido com o aparelho/ferramenta. A utilização do carregador errado pode resultar em choque eléctrico ou sobreaquecimento da bateria.
- ◆ Quando eliminar as baterias, siga as instruções da secção "Protecção do ambiente".
- ◆ Não danifique a bateria por perfuração ou impacto, pois poderá originar risco de ferimentos e incêndio.
- ◆ Não carregue baterias danificadas.
- ◆ Em condições extremas, pode ocorrer uma fuga nas baterias. Se detectar a fuga de líquido das baterias, limpe o líquido cuidadosamente com um pano. Evite o contacto com a pele.
- ◆ Em caso de contacto com a pele ou com os olhos, siga as instruções seguintes.
- ◆ Utilize o seu carregador Black & Decker apenas para carregar a bateria do aparelho/ferramenta com que foi fornecido. Outras baterias poderão rebentar, provocando lesões pessoais e danos.
- ◆ Nunca tente carregar baterias não recarregáveis.
- ◆ Se o cabo de alimentação estiver danificado, terá de ser substituído pelo fabricante ou por um centro de assistência autorizado Black & Decker para evitar acidentes.
- ◆ Não exponha o carregador à água.
- ◆ Não abra o carregador.
- ◆ Não manipule o interior do carregador.
- ◆ O aparelho/ferramenta/bateria deve ser colocado numa área com boa ventilação durante o carregamento.

Segurança eléctrica

O seu carregador foi concebido para uma voltagem específica. Verifique sempre se a voltagem de alimentação corresponde à voltagem da placa de especificações. Nunca tente substituir a unidade do carregador por uma tomada normal de alimentação.

Símbolos no Carregador



Leia cuidadosamente a totalidade deste manual.



O seu carregador tem um isolamento duplo e, por isso, não é necessário um fio de terra.



Transformador de isolamento anti-falha. A alimentação está electricamente separada da saída do transformador.

Advertência! O fluido da bateria pode causar ferimentos pessoais ou danos materiais. Em caso de contacto com a pele, enxágue imediatamente com água. Em caso de vermelhidão, dor ou irritação, contacte um médico. Em caso de contacto com os olhos, enxágue imediatamente com água limpa e contacte um médico.

Carregadores

O seu carregador foi concebido para uma tensão específica. Verifique sempre se a tensão de alimentação corresponde à tensão indicada na placa de especificações.

Advertência! Nunca tente substituir a unidade do carregador por uma tomada normal de alimentação.



O carregador desliga-se automaticamente se a temperatura se tornar demasiado elevada. Consequentemente o carregador fica inoperável. A base de carga deve ser desligada da alimentação e encaminhada para reparação num centro de serviço autorizado.



Apenas deverá ser feita uma utilização interior da base de carga.

Funções

1. Recipiente de poeira
2. Interruptor de desbloqueio
3. Interruptor para ligar/desligar
4. Indicador de carga
5. Base de carga

Fig. A

6. Acessório de ponta chata
7. Acessório de recolha de detritos líquidos

Identificação do produto

O design do modelo pode ser determinado a partir dos sufixos utilizados no número do catálogo. Os seguintes números de catálogo são descritos neste manual:

- ◆ WD60XXY/WD72XXY.

O sufixo XX corresponde aos seguintes designs:

- ◆ 15: Todas as unidades fornecidas com um pequeno acessório de ponta chata e um conjunto de recolha de detritos líquidos.

O sufixo Y é utilizado para identificar a gama de opções de cor/acabamento.

O sufixo Y representado pela letra N é utilizado para modelos com baterias de NiMH.

Instalação

Fixar a base de carga na parede

A base de carga pode ser colocada numa superfície de trabalho ou fixada à parede para proporcionar uma arrumação e um ponto de carga do aparelho práticos.

Advertência! Não instale o seu carregador por cima de uma tomada eléctrica ou qualquer outro aparelho eléctrico, pois poderá verter água do seu aparelho.

Ao fixar o aparelho numa parede, certifique-se de que o método de fixação é adequado ao tipo de parede e ao peso do aparelho.

Montagem

Fixar os acessórios (fig. A e B)

Estes modelos são fornecidos com alguns ou todos os seguintes acessórios:

- ◆ Um acessório de ponta chata (6) para espaços exíguos.
- ◆ Um conjunto de recolha de detritos líquidos (7) para derramamentos de líquidos.

Para ajustar um acessório, proceda da seguinte forma:

- ◆ Retire o acessório da sua posição de armazenamento no aparelho ou na base de carga (5) (fig. I e J).
- ◆ Introduza o acessório na parte frontal do aparelho.

Riscos residuais

Podem surgir riscos residuais adicionais durante a utilização da ferramenta que poderão não constar nos avisos de segurança incluídos. Estes riscos podem resultar de má utilização, uso prolongado, etc.

Mesmo com a aplicação dos regulamentos de segurança relevantes e com a implementação de dispositivos de segurança, alguns riscos residuais não podem ser evitados. Incluem:

- ◆ ferimentos causados pelo contacto com peças em rotação/movimento.
- ◆ ferimentos causados durante a troca de peças, lâminas ou acessórios.

- ◆ ferimentos causados pela utilização prolongada de uma ferramenta. Quando utilizar uma ferramenta por períodos prolongados, faça intervalos regulares.
- ◆ diminuição da audição.

problemas de saúde causados pela inalação de poeiras resultantes da utilização da ferramenta (exemplo: trabalhos em madeira, especialmente carvalho, faia e MDF).

Utilização

- ◆ Antes da primeira utilização, a bateria deve ser carregada durante pelo menos 24 horas.
- ◆ Coloque o aparelho na base de carga quando este não estiver a ser utilizado.

Carregar a bateria (fig. C)

Antes de carregar a bateria:

- ◆ Certifique-se de que o aparelho está desligado. A bateria não carrega com o interruptor para ligar/desligar (3) na posição ligado.
- ◆ Coloque o aparelho na base de carga (5) como é apresentado.
- ◆ Ligue o carregador. Ligue à corrente.

O indicador de carga (4) estará aceso.

- ◆ Deixe o aparelho a carregar pelo menos 24 horas.

Ao carregar, o carregador pode aquecer. Isto é normal e não indicia qualquer problema. O aparelho pode ser deixado sempre ligado ao carregador. O indicador de carga (4) ficará aceso desde que o aparelho esteja fixo ao carregador ligado na tomada.

Advertência! Não carregue a bateria a temperaturas ambientes abaixo de 10°C ou acima de 40°C.

Ligar e desligar (fig. D)

- ◆ Para ligar o aparelho, faça deslizar para a frente o interruptor para ligar/desligar (3).
- ◆ Para desligar o aparelho, faça deslizar para trás o interruptor para ligar/desligar (3).

Recolha de detritos líquidos (fig. A)

Utilize o acessório de recolha de detritos líquidos (7) em superfícies não absorventes.

- ◆ Para melhores resultados ao utilizar este acessório, mantenha o aparelho a um ângulo de 45° e puxe-o lentamente na sua direcção.
- ◆ Em superfícies absorventes, tais como alcatifas, o seu aparelho recolhe derramamentos de líquidos sem o acessório.

Limpeza e manutenção

Advertência! Limpe regularmente o filtro e o deflector (8 e 9).

Limpeza do recipiente de poeira e filtros (fig. E - H)

Para garantir uma potência de sucção otimizada, o filtro deve ser limpo regularmente durante a utilização.

O filtro é reutilizável e deve ser limpo regularmente.

- ◆ Pressione o botão de desbloqueio (2) e retire o recipiente de poeira (1).
- ◆ Retire o filtro e o deflector (8 e 9) do recipiente de poeira (1) (fig. F).
- ◆ Existe um pequeno lábio (10) na extremidade inferior do deflector (8) para o ajudar a retirar o recipiente de poeira (1).
- ◆ Escove quaisquer poeiras soltas do filtro e do deflector (8 e 9).
- ◆ Esvazie o recipiente de poeira (1) (fig. G).
- ◆ Lave o filtro e o deflector (8 e 9) em água quente com sabão (fig. H). O recipiente de poeira (1) também pode ser lavado, se necessário.

Advertência! Não mergulhe o aparelho em água.

- ◆ Certifique-se de que o recipiente de poeira (1), o filtro e o deflector (8 e 9) estão secos.
- ◆ Volte a colocar o filtro e o deflector (8 e 9) no recipiente de poeira (1). Certifique-se de que encaixam na posição.
- ◆ Volte a colocar o recipiente de poeira (1) no aparelho. Certifique-se de que

o recipiente de poeira encaixa na posição.

Advertência! Nunca utilize o aparelho sem o filtro. Apenas será obtida uma excelente recolha das poeiras com os filtros limpos.

Recolocação dos filtros.

O filtro deverá ser substituído em cada 6 a 9 meses e sempre que estiver gasto ou danificado. Um filtro para substituição (8) está disponível junto do seu revendedor Black & Decker (cat. n.º WV70):

- ◆ Retire o filtro usado como indicado acima.
- ◆ Coloque o filtro novo como indicado acima.

Armazenar os acessórios (fig. I e J)

- ◆ Pressione os acessórios nos suportes correspondentes até ouvir um som de encaixe.

Protecção do ambiente



Recolha separada. Este produto não pode ser eliminado juntamente com os resíduos domésticos normais.

Se, em algum momento, verificar que o seu produto Black & Decker precisa de ser substituído ou que deixou de ter utilidade, não o elimine junto com os resíduos domésticos. Coloque-o disponível para uma recolha separada.



A recolha separada de produtos e embalagens usados permite que os materiais sejam reciclados e novamente utilizados. A reutilização de materiais reciclados ajuda a evitar a poluição ambiental e reduz a procura de matérias-primas.

A legislação local poderá prever a recolha separada de produtos domésticos eléctricos, seja em lixeiras municipais ou através do revendedor quando adquire um produto novo.

A Black & Decker dispõe de instalações para recolha e reciclagem de produtos Black & Decker quando estes atingem o fim da sua vida útil. Para usufruir deste serviço, devolva o produto em qualquer agente de reparação autorizado, que os recolherá em seu nome.

Pode verificar a localização do agente de reparação autorizado mais perto de si, contactando os escritórios locais da Black & Decker através do endereço indicado neste manual. Se preferir, pode encontrar na Internet uma lista de agentes de reparação autorizados Black & Decker, detalhes completos e contactos do serviço pós-venda, no endereço: www.2helpU.com.

Bateria (fig. K)



Se pretender eliminar o produto, deverá retirar a bateria tal como abaixo descrito, eliminando-a de acordo com os regulamentos locais.

- ◆ É preferível que descarregue a bateria colocando o aparelho em funcionamento até o motor parar.
- ◆ Pressione o botão de desbloqueio (2) e retire o recipiente de poeira (1).
- ◆ Retire os sete parafusos que fixam a estrutura do aparelho.
- ◆ Puxe metade da tampa para fora da respectiva posição.
- ◆ Para os números de catálogo WD60XXY e WD72XXY, - retire todo o conjunto do motor/ventoinha/bateria.
- ◆ Desligue o conjunto da bateria do conjunto principal.
- ◆ Coloque a bateria numa embalagem adequada, certificando-se de que os terminais não entram em curto-circuito.
- ◆ Leve a bateria ao seu agente de manutenção ou a uma estação de reciclagem local.

Depois de removida, a bateria não pode ser re-inserida.

Dados técnicos

	WD60XXY H2	WD72XXY H2
Tensão	Vcc 6,0	7,2
Tipo de bateria	NiCd/NiMH	NiCd/NiMH
Peso	kg 1,0	1,1

Carregador	*A100015D	*A110020D
Modelo	WD60XXY	WD72XXY
Voltagem de entrada	Vca 230	230
Voltagem de saída	Vca 10	11
Corrente de saída	mA 150	200
Tempo de carga aprox.	h 24	24
Peso	kg 0,3	0,3

Nível de pressão sonora de acordo com EN 60704-1: <70 dB(A)

Garantia

A Black & Decker confia na qualidade dos seus produtos e oferece uma garantia excelente. Esta declaração de garantia é um complemento dos seus direitos estabelecidos por lei, não os prejudicando de forma alguma. A garantia é válida nos territórios dos Estados Membros da União Europeia e da Associação Europeia de Comércio Livre.

Se um produto Black & Decker se avariar devido a defeitos de material, fabrico ou não conformidade, num período de 24 meses após a data da compra, a Black & Decker garante a substituição de peças defeituosas, a reparação de produtos sujeitos a um desgaste aceitável ou a substituição dos mesmos para garantir o mínimo de inconvenientes ao cliente, excepto se:

- ◆ O produto tiver sido utilizado para fins comerciais, profissionais ou de aluguer.
- ◆ O produto tiver sido submetido a utilização indevida ou descuido.
- ◆ O produto tiver sido danificado por objectos estranhos, substâncias ou acidentes.
- ◆ Tiverem sido tentadas reparações por pessoas que não sejam agentes de reparação autorizados ou técnicos de manutenção da Black & Decker.

Para accionar a garantia, terá de apresentar comprovativos de compra ao vendedor ou a um agente de reparação autorizado. Pode verificar a localização do agente de reparação autorizado mais perto de si, contactando os escritórios locais da Black & Decker através do endereço indicado neste manual. Se preferir, pode encontrar na Internet uma lista de agentes de reparação autorizados Black & Decker, detalhes completos e contactos do serviço pós-venda, no endereço:

www.2helpU.com

Visite o nosso website **www.blackanddecker.eu** para registar o novo produto Black & Decker e manter-se actualizado sobre os novos produtos e ofertas especiais. Pode encontrar mais informações sobre a marca Black & Decker e sobre a nossa gama de produtos em **www.blackanddecker.eu**

Användningsområde

Din Black & Decker-handdammsugare Dustbuster® är avsedd för lättare torrdammsugning och uppsugning av mindre vätskemängder. Apparaten är endast avsedd för hemmabruk.

Design- och patentinformation

Designregistreringsnummer inom EG:

- ◆ 607643-0001
- ◆ 607668-0001
- ◆ 607650-0001

Säkerhetsinstruktioner

Varning! För att minska risken för brand, läckande batterier, personskador och materialskador ska du alltid följa grundläggande säkerhetsföreskrifter, inklusive de som följer, vid användning av batteridrivna apparater.

- ◆ Läs den här bruksanvisningen noggrant innan du använder apparaten.
- ◆ Användningsområdet beskrivs i den här bruksanvisningen. Användning av andra tillbehör eller tillsatser eller utförandet av någon annan åtgärd med apparaten än de som rekommenderas i den här bruksanvisningen kan leda till personskador.
- ◆ Behåll bruksanvisningen för framtida referens.

Använda apparaten

- ◆ Använd inte apparaten för att suga upp vätskor eller material som kan fatta eld.
- ◆ Denna produkt är endast avsedd för att suga upp små mängder. Den måste tömmas regelbundet så att den inte överfylls.
- ◆ Doppa aldrig apparaten i vatten.
- ◆ Dra aldrig i sladden till laddaren när du drar ut den från vägguttaget. Håll sladden till laddaren borta från värme, olja och vassa kanter.
- ◆ Ungdomar eller personer med svag hälsa ska inte använda verktyget utan tillsyn. Håll uppsikt över barn så att de inte leker med apparaten.

Efter användning

- ◆ Dra ur sladden till laddaren innan du rengör den.
- ◆ När den inte används bör apparaten förvaras torr.
- ◆ Placera apparaten på ett ställe där barn inte kan komma åt den.

Kontroll och reparationer

- ◆ Kontrollera att apparaten är hel och att den inte innehåller några skadade delar innan du använder den. Kontrollera att inga delar är trasiga, att strömbrytaren fungerar och att inget annat föreligger som kan påverka apparatens funktioner.
- ◆ Använd inte apparaten om någon del har skadats eller gått sönder.
- ◆ Reparera eller byt ut skadade eller trasiga delar på en auktoriserad verkstad.
- ◆ Kontrollera regelbundet att sladden till laddaren inte har skadats. Byt ut laddaren om sladden är skadad eller trasig.
- ◆ Försök aldrig ta bort eller byta ut andra delar än de som anges i den här bruksanvisningen.

Säkerhet för andra

- ◆ Apparaten ska inte användas av personer (inklusive barn) med nedsatt fysisk eller psykisk förmåga eller bristande erfarenhet eller kunskap om de inte får vägledning och övervakas av en person som ansvarar för deras säkerhet.
- ◆ Barn ska hållas under uppsikt så att de inte leker med apparaten.

Ytterligare säkerhetsinstruktioner för batterier och laddare

Batterier

- ◆ Försök aldrig att öppna batterierna.
- ◆ Utsätt inte batteriet för vatten.
- ◆ Utsätt inte batteriet för värme.
- ◆ Förvara inte apparaten på platser där temperaturen kan bli högre än 40°C.
- ◆ Ladda endast vid lufttemperaturer mellan 10°C och 40°C.

- ◆ Ladda endast med hjälp av laddaren som medföljer apparaten. Användning av fel laddare kan resultera i en elektrisk stöt eller att batteriet överhettas.
- ◆ Följ instruktionerna i avsnittet "Miljö" när du gör dig av med batterier.
- ◆ Skydda batteriet från skador/ deformerningar i form av slag och stötar eftersom det kan leda till personskadorna eller eldsvåda.
- ◆ Ladda inte skadade batterier.
- ◆ Under extrema förhållanden kan batterierna läcka. Om det finns vätska på batterierna ska du torka bort vätskan försiktigt med en trasa. Undvik hudkontakt.
- ◆ Vid kontakt med hud eller ögon, följ instruktionerna nedan.

Varning! Batterivätskan kan orsaka person- eller materialskadorna. Vid hudkontakt, skölj genast med vatten. Vid rodnader, smärta eller irritation ska läkare uppsökas. Vid kontakt med ögon, skölj genast med rent vatten, och uppsök läkare.

Laddare

Laddaren är avsedd för en viss spänning. Kontrollera alltid att nätspänningen överensstämmer med värdet på typskylten.

Varning! Försök aldrig byta ut kontakten till laddaren mot en vanlig kontakt.

- ◆ Använd laddaren från Black & Decker endast för att ladda batteriet i den apparat som laddaren levererades med. Andra batterier kan spricka och orsaka personskadorna och andra skador.
- ◆ Försök aldrig att ladda ej uppladdningsbara batterier.
- ◆ Om nätsladden är skadad måste den för undvikande av fara bytas ut av tillverkaren eller en auktoriserad Black & Decker-verkstad.
- ◆ Utsätt inte laddaren för vatten.
- ◆ Öppna inte laddaren.
- ◆ Gör ingen åverkan på laddaren.
- ◆ Apparaten/verktyget/batteriet ska placeras på en plats med god ventilation vid laddning.

Elektrisk säkerhet

Laddaren är avsedd för en viss spänning. Kontrollera alltid att nätspänningen överensstämmer med värdet på typskylten. Försök aldrig byta ut kontakten till laddaren mot en vanlig kontakt.

Symboler på laddaren



Läs noga igenom hela denna bruksanvisning.



Eftersom laddaren är dubbelisolerad behövs ingen jordledare.



Helsäker isoleringstransformator. Elnätet är elektriskt avskilt från transformatorns uteffekt.



Laddaren stängs av automatiskt om temperaturen blir för hög. Den går då inte längre att använda. Laddaren måste kopplas från eluttaget och tas till en auktoriserad verkstad för reparation.



Laddaren är endast avsedd för användning inomhus.

Funktioner

1. Dammuppsamlare
2. Låsknapp
3. Strömbrytare
4. Laddningsindikator
5. Laddare

Bild A

6. Elementmunstycke
7. Munstycke för vätskeuppsugning

Identifiera din produkt

Med hjälp av tilläggskoderna i artikelnumret kan du se vad som gäller för din produkt. Denna bruksanvisning gäller för följande modeller:

- ◆ WD60XXY/WD72XXY.

Tilläggs-koden XX finns i artikelnumren för följande modeller:

- ◆ 15: Alla enheter som är utrustade med ett litet elementmunstycke och ett munstycke för vätskeuppsugning.

Tilläggs-koden Y betecknar färg/yta.

Tilläggs-koden Y som representeras av bokstaven N används för modeller som har ett NiMH-batteri.

Installation

Montera laddaren på väggen

Laddaren kan placeras på ett bord eller monteras på väggen för att du enkelt ska kunna förvara och ladda apparaten.

Varning! Montera inte laddaren ovanför ett eluttag eller en annan elektrisk apparat, eftersom vatten kan droppa från dammsugaren.

Om du monterar den på väggen ska du göra det på ett sätt som är lämpligt för väggtypen och för apparatens vikt.

Montering

Montera tillbehören (bild A och B)

De här modellerna levereras med alla eller några av följande tillbehör:

- ◆ Ett elementmunstycke (6) för trånga utrymmen.
- ◆ Ett munstycke för vätskeuppsugning (7).

Montera tillbehören enligt följande:

- ◆ Ta ut tillbehöret ur förvaringsutrymmet på apparaten eller laddaren (5) (bild I och J).
- ◆ Montera tillbehöret längst fram på apparaten.

Övriga risker

Ytterligare risker som inte finns med i de bifogade säkerhetsföreskrifterna kan uppstå när verktyget används. Dessa risker kan uppstå vid felaktig eller långvarig användning, etc.

Även om alla relevanta säkerhetsföreskrifter följs och säkerhetsanordningar används kan vissa ytterligare risker inte undvikas. Dessa innefattar:

- ◆ Skador orsakade av att roterande/rörliga delar vidrörs.

- ◆ Skador som uppstår vid byte av delar, blad eller tillbehör.
- ◆ Skador som orsakas av långvarig användning av ett verktyg. Se till att ta regelbundna raster när du använder ett verktyg under en längre period.
- ◆ Skador på hörseln.
- ◆ Hälsorfaror orsakade av inandning av damm när verktyget används (exempel: arbete med trä, särskilt ek, bok och MDF).

Användning

- ◆ Innan apparaten används första gången måste batteriet laddas i minst 24 timmar.
- ◆ Placera apparaten i laddaren när den inte används.

Ladda batteriet (bild C)

Innan du laddar batteriet:

- ◆ Kontrollera att apparaten är avstängd. Batteriet laddas inte om strömbrytaren (3) är i läget på.
- ◆ Placera apparaten i laddaren (5) enligt bilden.
- ◆ Anslut laddaren. Slå på den vid eluttaget.

Laddningsindikatorn (4) börjar lysa.

- ◆ Låt apparaten laddas i minst 24 timmar.

Medan apparaten laddas kan laddaren bli varm. Det är normalt och innebär inte att något är fel. Apparaten kan lämnas ansluten till laddaren hur länge som helst. Laddningsindikatorn (4) lyser när apparaten är ansluten till laddaren och laddaren är ansluten till ett eluttag.

Varning! Ladda inte batteriet om temperaturen är lägre än 10°C eller högre än 40°C.

Slå på och av (bild D)

- ◆ Slå på apparaten genom att föra strömbrytaren (3) framåt.
- ◆ Stäng av apparaten genom att föra strömbrytaren (3) bakåt.

Uppsugning av vätska (bild A)

Använd vätskemunstycket (7) på icke-absorberande ytor.

- ◆ För bästa resultat med vätskemunstycket bör apparaten hållas i 45° vinkel. Dra sedan apparaten långsamt mot dig.
- ◆ På absorberande ytor, t.ex. mattor, blir vätskeuppsugningsförmågan bättre om apparaten används utan vätskemunstycket.

Rengöra och underhålla

Varning! Rengör filtret och deflektorn med jämna mellanrum (8 och 9).

Rengöring av dammuppsamlare och filter (bild E–H)

Filtret bör rengöras regelbundet för att optimera sugkraften.

Filtret kan återanvändas och bör rengöras med jämna mellanrum.

- ◆ Tryck på låsknappen (2) och ta av dammuppsamlaren (1).
- ◆ Ta ut filtret och deflektorn (8 och 9) ur dammuppsamlaren (1) (bild F). Längst ner på deflektorn (8) sitter en utskjutande kant (10) som gör det lättare att ta av den från dammuppsamlaren (1).
- ◆ Borsta bort löst damm från filtret och deflektorn (8 och 9).
- ◆ Töm dammuppsamlaren (1) (bild G).
- ◆ Tvätta filtret och deflektorn (8 & 9) i varmt tvålatten (bild H). Dammuppsamlaren (1) kan också tvättas vid behov.

Varning! Doppa aldrig apparaten i vatten.

- ◆ Se till att dammuppsamlaren (1) samt filtret och deflektorn (8 och 9) är helt torra.
- ◆ Sätt tillbaka filtret och deflektorn (8 och 9) i dammuppsamlaren (1) och se till att de klickar på plats.
- ◆ Sätt tillbaka dammuppsamlaren (1) på apparaten och se till att den klickar på plats.

Varning! Använd aldrig apparaten utan filtret. Dammsugning fungerar bäst med rena filter.

Byta filter

Filtret bör bytas ut var sjätte till nionde månad, eller när det är utslitet eller trasigt.

Filter (8) finns att köpa hos Black & Decker-återförsäljare (katalognr. WVF70):

- ◆ Ta loss det gamla filtret enligt beskrivningen ovan.
- ◆ Montera det nya filtret enligt beskrivningen ovan.

Förvaring av tillbehören (bild I och J)

- ◆ Tryck in tillbehören i respektive hållare tills det klickar till.

Miljö



Separat insamling. Produkten får inte kastas i hushållssoptorna.

Tänk på miljön när du slänger denna Black & Decker-produkt. Släng den inte tillsammans med hushållsavfallet. Lämnna produkten för separat insamling.



Insamling av uttjänta produkter och förpackningsmaterial gör att material kan återanvändas. Användning av återvunnet material minskar föroreningar av miljön och behovet av råmaterial.

Lokala föreskrifter kan kräva separat insamling av elprodukter från hushållen, vid kommunala insamlingsplatser eller hos återförsäljaren när du köper en ny produkt.

Black & Decker samlar in och återvinner uttjänta Black & Decker-produkter. Om du vill utnyttja denna tjänst återlämnar du produkten till en auktoriserad verkstad, som samlar in den för vår räkning.

För information om närmaste auktoriserade verkstad, kontakta det lokala Black & Decker-kontoret på den adress som är angiven i bruksanvisningen. En lista över alla auktoriserade verkstäder samt servicevillkor finns även tillgänglig på Internet: www.2helpU.com.

Batteri (bild K)



Om du vill kassera produkten på egen hand måste batteriet tas bort enligt beskrivningen nedan och kastas enligt lokala bestämmelser.

- ◆ Du bör ladda ur batteriet genom att låta dammsugaren vara påslagen tills motorn stannar.
- ◆ Tryck på låsknappen (2) och ta av dammuppsamlaren (1).
- ◆ Ta bort de sju skruvarna som håller ihop apparatens hölje.

- ◆ Dra höljet halvvägs bort från apparatens mitt.
- ◆ Gör följande för produkter med artikelnummer WD60XXY och WD72XXY:
 - ta ut hela motor-/fläkt-/batterienheten.
- ◆ Ta av batterienheten från huvudenheten.
- ◆ Packa in batteriet så att polerna inte kan kortslutas.
- ◆ Ta med batteriet till en verkstad eller en återvinningsstation.

När batteriet har tagits ur går det inte att sätta tillbaka det.

Tekniska data

	WD60XXY H2	WD72XXY H2
Spänning	Vdc 6,0	7,2
Batterityp	NiCd/NiMH	NiCd/NiMH
Vikt	kg 1,0	1,1

Laddare	*A100015D	*A110020D
Modell	WD60XXY	WD72XXY
Inspänning	Vac 230	230
Utspänning	Vac 10	11
Utström	mA 150	200
Laddningstid cirka	tim 24	24
Vikt	kg 0,3	0,3

Ljudnivå, mätt enligt EN 60704-1: <70 dB (A)

Garanti

Black & Decker garanterar att produkten är fri från material- och/eller fabrikationsfel vid leverans till kund. Garantin gäller utöver konsumentens rättigheter enligt lag och påverkar inte dessa. Garantin gäller inom medlemsstaterna i Europeiska Unionen och i det Europeiska Frihandelsområdet. Om en Black & Decker-produkt går sönder på grund av material- och/eller fabrikationsfel eller brister i överensstämmelse med specifikationen, inom 24 månader från köpet, åtar sig Black & Decker att reparera eller byta ut produkten med minsta besvär för kunden, förutom om:

- ◆ Produkten har använts i kommersiellt syfte, yrkesmässigt syfte eller uthyrningssyfte.
- ◆ Produkten har utsatts för felaktig användning eller skötsel.
- ◆ Produkten har skadats av främmande föremål eller ämnen eller genom olyckshändelse.
- ◆ Reparation har utförts av någon annan än en auktoriserad Black & Decker-verkstad.

För att utnyttja garantin skall produkten och inköpskvittot lämnas till återförsäljaren eller till en auktoriserad verkstad. För information om närmaste auktoriserad verkstad, kontakta det lokala Black & Decker-kontoret på den

adress som är angiven i bruksanvisningen. En lista på alla auktoriserade verkstäder samt servicevillkor finns även tillgängliga på Internet:

www.2helpU.com

Besök vår webbplats

www.blackanddecker.se för att registrera din nya Black & Decker-produkt samt för att erhålla information om nya produkter och specialerbjudanden. Vidare information om märket Black & Decker och vårt produktsortiment återfinns på **www.blackanddecker.se**.

Bruksområde

Den håndholdte støvsugeren Dustbuster® fra Black & Decker er konstruert for lett støvsuging på våte eller tørre overflater. Apparatet er beregnet bare for bruk i private hjem.

Konstruksjons- og patentinformasjon

Konstruksjonsregistreringsnumre (EF):

- ◆ 607643-0001
- ◆ 607668-0001
- ◆ 607650-0001

Sikkerhetsinstrukser

Advarsel! Ved bruk av batteridrevne apparater må grunnleggende sikkerhetsforholdsregler (inkludert punktene som er beskrevet nedenfor) alltid følges for å redusere risikoen for brann, batterilekkasje, personskaade og skade på materiell.

- ◆ Les hele håndboken nøye før du bruker apparatet.
- ◆ Tiltent bruk er beskrevet i denne håndboken. Bruk av tilbehør eller utføring av oppgaver som ikke er anbefalt for apparatet i denne håndboken, kan medføre fare for personskaade.
- ◆ Oppbevar håndboken for fremtidig referanse.

Bruk av apparatet

- ◆ Ikke bruk apparatet til å suge opp væske eller materialer som kan ta fyr.
- ◆ Dette produktet er utformet bare for lett søl. Det må tømmes regelmessig så det ikke blir for fullt.
- ◆ Ikke senk apparatet ned i vann.
- ◆ Ikke dra i ledningen når du skal fjerne laderen fra stikkontakten. Hold ledningen til laderen borte fra varmekilder, olje og skarpe kanter.
- ◆ Dette apparatet er ikke beregnet for bruk av unge eller uerfarne personer uten tilsyn. Barn må ha tilsyn for å sikre at de ikke leker med apparatet.

Etter bruk

- ◆ Fjern laderen fra stikkontakten før du rengjør selve laderen eller ladeenheten.
- ◆ Når apparatet ikke er i bruk, skal det oppbevares på et tørt sted.
- ◆ Barn skal ikke ha tilgang til apparater som ikke er i bruk.

Kontroll og reparasjon

- ◆ Kontroller at apparatet ikke er skadet eller har defekte deler før du bruker det. Kontroller om noen av delene har sprekker, om bryterne er skadet eller om det er andre forhold som kan ha innvirkning på driften.
- ◆ Ikke bruk apparatet hvis det har skadde eller defekte deler.
- ◆ Overlat reparasjon eller utskifting av skadde eller defekte deler til et autorisert serviceverksted.
- ◆ Kontroller jevnlig om ledningen til laderen er skadd. Skift ut laderen hvis ledningen har skade eller laderen ikke virker slik den skal.
- ◆ Forsøk aldri å fjerne eller skifte ut andre deler enn de som er oppgitt i denne håndboken.

Andre personers sikkerhet

- ◆ Det er ikke meningen at dette apparatet skal brukes av personer (inkludert barn) med reduserte fysiske, sansemessige eller mentale evner, eller som mangler erfaring og kunnskap, med mindre de har fått oppfølging eller instruksjon når det gjelder bruken av apparatet, fra en person som er ansvarlig for deres sikkerhet.
- ◆ Barn skal være under tilsyn så du er sikker på at de ikke leker med apparatet.

Ytterligere sikkerhetsinstruksjoner for batterier og ladere

Batterier

- ◆ Forsøk aldri å åpne uansett hvilket formål du måtte ha.
- ◆ Ikke utsett batteriet for vann.
- ◆ Ikke utsett batteriet for varme.

- ◆ Skal ikke oppbevares på steder der temperaturen kan overskride 40°C.
- ◆ Skal lades bare ved omgivelsestemperaturer mellom 10°C og 40°C.
- ◆ Bruk bare ladere av typen som følger med maskinen/redskapet. Hvis du bruker feil lader, kan dette føre til et elektrisk støt eller at batteriet overopphetes.
- ◆ Følg instruksjonene i avsnittet "Miljø" når du skal kaste batterier.
- ◆ Ikke skad eller deformer batteripakken ved punktering eller støt, da dette kan føre til risiko for personskade og brann.
- ◆ Ikke lad skadede batterier.
- ◆ Under ekstreme forhold kan det forekomme batterilekkasje. Hvis du oppdager væske på batteriene, må du tørke den forsiktig av med en klut. Unngå kontakt med huden.
- ◆ Hvis væsken kommer i kontakt med huden eller øynene, følger du instruksjonene nedenfor.

Advarsel! Batterivæsken kan føre til personskade eller skade på eiendom. Ved hudkontakt skyller du umiddelbart med vann. Hvis huden blir rød eller irritert eller smerter inntreffer, søk øyeblikkelig medisinsk hjelp. Hvis væsken kommer i kontakt med øynene, skyller du umiddelbart med rent vann og søker øyeblikkelig medisinsk hjelp.

Ladere

Laderen er konstruert for en bestemt spenning. Kontroller alltid at nettspenningen er i overensstemmelse med spenningen på typeskiltet.

Advarsel! Prøv aldri å skifte ut laderen med et vanlig nettstøpsel.

- ◆ Black & Decker-laderen skal bare brukes til å lade batteriet i apparatet/verktøyet som laderen kom sammen med. Andre batterier kan sprekke og føre til personskade og materiell skade.
- ◆ Prøv aldri å lade ikke-oppladbare batterier.

- ◆ Hvis strømledningen blir skadet, må den skiftes av produsenten eller et autorisert Black & Decker-servicesenter for å unngå fare.
- ◆ Ikke utsett laderen for vann.
- ◆ Ikke åpne laderen.
- ◆ Ikke stikk gjenstander eller fingre ned i laderen.
- ◆ Apparatet/verktøyet/batteriet må plasseres på et sted med god gjennomlufting når det lades.

Elektrisk sikkerhet

Laderen er konstruert for en bestemt spenning. Kontroller alltid at nettspenningen er i overensstemmelse med spenningen på typeskiltet. Prøv aldri å skifte ut laderen med en vanlig nettplugg.

Symboler på laderen



Les hele denne bruksanvisningen grundig.



Dette laderen er dobbeltisolert. Jording er derfor ikke nødvendig.



Feilsikker skilletransformator. Nettstrømtilførselen er elektrisk skilt fra transformatorutgangen.



Laderen slår seg av automatisk hvis temperaturen i omgivelsene blir for høy. Som følge av dette vil ikke laderen virke. Ladeenheten må kobles fra strømforsyningen og repareres på et autorisert serviceverksted.



Ladeenheten er bare tiltenkt for bruk innendørs.

Funksjoner

1. Støvpopsamler
2. Utløserknapp
3. Strømbryter
4. Ladningsindikator
5. Ladeenhet

Figur A

6. Smalt sugestykke
7. Tilbehør for våte flater

Identifisere produktet

Modellen kan bestemmes ved hjelp av suffikskodene i katalognumrene. Følgende katalognumre er beskrevet i denne håndboken:

- ◆ WD60XXY/WD72XXY.

Suffikskoden XX svarer til disse modellene:

- ◆ 15: Alle enheter – med smalt sugestykke og tilbehør for våte overflater.

Suffikskoden Y brukes til å identifisere utvalget av farge-/overflatealternativer.

Suffikskoden Y med bokstaven N blir brukt for modeller med NiMH-batteri.

Montering

Montering av ladeenheten på veggen

Ladeenheten kan plasseres på en benkeplate eller festes til veggen for å fungere som praktisk oppbevarings- og ladningssted for apparatet.

Advarsel! Ikke fest laderen over en elektrisk kontakt eller et annet elektrisk apparat, da det kan dryppe vann fra apparatet.

Ved montering på vegg må du sørge for at festemetoden passer til veggtypen og at festet kan bære vekten av apparatet.

Montering

Sette på tilbehør (figur A og B)

Disse modellene leveres med noe eller alt av følgende tilbehør:

- ◆ Et smalt sugestykke (6) for vanskelig tilgjengelige steder.
- ◆ Tilbehør for våte overflater (7) for vått søl.

Når du skal sette på et tilbehør, gjør du følgende:

- ◆ Ta frem tilbehøret fra oppbevaringsplassen på apparatet eller ladeenheten (5) (figur I og J).
- ◆ Sett på det tilbehøret foran på apparatet.

Andre risikoer

Ved bruk av verktøyet kan det oppstå ytterligere risikoer som kanskje ikke er inkludert i sikkerhetsadvarslene som følger med. Disse risikoene kan bli forårsaket av feil bruk, langvarig bruk osv.

Selv om de relevante sikkerhetsbestemmelsene blir fulgt, og sikkerhetstiltakene blir gjennomført, kan visse gjenværende risikoer ikke unngås. Disse omfatter:

- ◆ Personskader som forårsakes av berøring av en roterende/bevegelig del.
- ◆ Personskader som forårsakes av at en del, et blad eller tilbehør endres.
- ◆ Personskader som forårsakes av langvarig bruk av et verktøy. Når du bruker et verktøy i lange perioder, må du sørge for å ta regelmessige pauser.
- ◆ Svekket hørsel.
- ◆ Helsefarer som forårsakes av innånding av støv som dannes når du bruker verktøyet (eksempel: arbeid med tre, spesielt eik, bøk og MDF).

Bruk

- ◆ Før førstegangs bruk skal batteriet lades i minst 24 timer.
- ◆ Sett apparatet i ladeenheten når det ikke er i bruk.

Ladning av batteriet (figur C)

Før du lader batteriet:

- ◆ Forsikre deg om at apparatet er slått av. Batteriet vil ikke bli ladet hvis på/av-bryteren (3) er i på-stillingen.
- ◆ Sett apparatet i ladeenheten (5) som vist.
- ◆ Sett laderen i stikkontakten. Slå på strømmen.

Ladningsindikatoren (4) slår seg på.

- ◆ La apparatet lade i minst 24 timer. Under ladningen kan laderen bli varm. Dette er normalt og betyr ikke at noe er feil. Apparatet kan være tilkoblet laderen uten tidsbegrensning. Ladningsindikatoren (4) vil lyse så lenge apparatet er tilkoblet den strømførende laderen.

Advarsel! Ikke lad batteriet hvis temperaturen i omgivelsene er under 10°C eller over 40°C.

Start og stopp (figur D)

- ◆ Når du skal slå apparatet på, skyver du på/av-bryteren (3) fremover.
- ◆ Når du skal slå apparatet av, skyver du på/av-bryteren (3) tilbake.

Tilbehør for våte flater (figur A)

Bruk tilbehøret for våte flater (7) på ikke-sugende flater.

- ◆ Du får best resultat ved bruk av dette tilbehøret hvis du holder apparatet i en vinkel på 45° og trekker det langsomt mot deg.
- ◆ På sugende flater, for eksempel tepper, vil apparatet suge opp vått søl bedre uten tilbehøret.

Rengjøring og vedlikehold

Advarsel! Rengjør filteret og deflektoren jevnlig (8 og 9).

Rengjøring av støvoppsamleren og filtrene (figur E–H)

Hvis sugekraften skal være best mulig, må filteret renses jevnlig under bruk.

Filteret kan brukes på nytt og bør rengjøres jevnlig.

- ◆ Trykk på utløserknappen (2), og ta av støvoppsamleren (1).
- ◆ Ta ut filteret og deflektoren (8 og 9) fra støvoppsamleren (1) (figur F). Det er en liten kant (10) i bunnen av deflektoren (8), som kan være nyttig når du skal ta den av støvoppsamleren (1).
- ◆ Børst alt løst støv av filter og deflektor (8 og 9).
- ◆ Tøm støvoppsamleren (1) (figur G).

- ◆ Vask filteret og deflektoren (8 og 9) i varmt såpevann (figur H). Støvoppsamleren (1) kan også vaskes om nødvendig.

Advarsel! Ikke senk apparatet ned i vann.

- ◆ Forsikre deg om at støvoppsamleren (1) og filteret og deflektoren (8 og 9) er tørre.
- ◆ Sett filteret og deflektoren (8 og 9) inn i støvoppsamleren (1). Pass på at de klikker på plass.
- ◆ Sett støvoppsamleren (1) tilbake på apparatet. Forsikre deg om at støvoppsamleren klikker på plass.

Advarsel! Bruk aldri apparatet uten filteret. Optimal støvsuging kan bare oppnås med rene filtre.

Utskifting av filtrene

Filteret bør skiftes ut hver 6.–9. måned og ellers hvis det er slitt eller skadet. Du får reservefilter (8) hos din Black & Decker-forhandler (kat.nr. WVF70):

- ◆ Ta ut det gamle filteret som beskrevet ovenfor.
- ◆ Sett inn det nye filteret som beskrevet ovenfor.

Oppbevaring av tilbehør (figur I og J)

- ◆ Trykk tilbehøret på plass i de korresponderende sporene til du hører et klikk.

Miljø



Separat avfallshåndtering. Dette produktet må ikke kastes sammen med vanlig husholdningsavfall.

Når Black & Decker-produktet er utslitt, skal det ikke kastes som husholdningsavfall. Dette produktet må kastes separat.



Hvis brukte produkter og emballasje leveres atskilt, kan materialer resirkuleres og brukes på nytt. Resirkulering av brukte produkter gir redusert

miljøforurensing og mindre behov for råmaterialer.

Det kan være lokale bestemmelser for egen innsamling av elektriske produkter fra husstander, på kommunale avfallsplasser eller hos forhandleren når du kjøper et nytt produkt.

Black & Decker tar i mot brukte Black & Decker-produkter for resirkulering. Du kan levere produktet til et autorisert serviceverksted.

For informasjon om nærmeste autoriserte serviceverksted, kontakt ditt lokale Black & Decker-kontor på den adressen som er angitt i bruksanvisningen. Det finnes også en liste over autoriserte Black & Decker-serviceverksteder og opplysninger om ettersalgsservice og kontakter på Internett:

www.2helpU.com.

Batteri (figur K)



Hvis du vil fjerne produktet selv, må batteriene tas ut som beskrevet nedenfor, og fjernes i henhold til lokale forskrifter.

- ◆ Du bør lade ut batteriet ved å la apparatet gå til motoren stopper.
- ◆ Trykk på utløserknappen (2), og ta av støvoppsamleren (1).
- ◆ Ta ut de syv skruene som holder apparatet sammen.
- ◆ Trekk dekselet halvveis bort fra sokkeldelen.
- ◆ For katalognummer WD60XXY og WD72XXY
 - løfter du ut hele montasjen av motor, vifte og batteri.
- ◆ Ta ut batterimontasjen fra hovedmontasjen.
- ◆ Ha batteriet i passende emballasje for å sikre at ikke terminalene kan kortsluttes.
- ◆ Ta batteriet til et autorisert serviceverksted eller til nærmeste spesialavfallsstasjon.

Når batteriet først er tatt ut, kan det ikke settes inn igjen.

Tekniske data

	WD60XXY H2	WD72XXY H2
Spenning	V DC 6,0	7,2
Batteritype	NiCd/NiMH	NiCd/NiMH
Vekt	kg 1,0	1,1

Lader	*A100015D	*A110020D
Modell	WD60XXY	WD72XXY
Inngangsspenning	V AC 230	230
Utgangsspenning	V AC 10	11
Utgangsstrøm	mA 150	200
Omtrentlig ladetid	t 24	24
Vekt	kg 0,3	0,3

Lydtryknivå i henhold til EN 60704-1: <70 dB(A)

Garanti

Black & Decker er trygg på kvaliteten til sine produkter og tilbyr en enestående garanti. Denne garantierklæringen kommer i tillegg til dine lovbestemte rettigheter, og er ikke i konflikt med disse. Garantien er gyldig i EU- og EFTA-medlemsstatene.

Hvis et Black & Decker-produkt går i stykker på grunn av material- og/eller fabrikkasjonsfeil eller har mangler i forhold til spesifikasjonene, innen 24 måneder fra kjøpet, påtar Black & Decker seg å skifte ut defekte deler, reparere produkter som har vært utsatt for alminnelig slitasje, eller bytte ut slike produkter med minst mulig vanskelighet for kunden, med mindre:

- ◆ produktet har vært brukt i yrkes-/næringsvirksomhet eller til utleie.
- ◆ produktet har vært utsatt for feilaktig bruk eller mislighold.
- ◆ produktet har blitt skadet av fremmede gjenstander eller stoffer eller ved et uhell.
- ◆ reparasjoner er forsøkt utført av andre enn autoriserte serviceverksteder eller Black & Deckers serviceteknikere.

For å ta garantien i bruk skal produktet og kjøpekvittering leveres til forhandleren eller til et autorisert serviceverksted. For informasjon om nærmeste autoriserte serviceverksted, kontakt ditt lokale Black & Decker-kontor på den adressen som er angitt i bruksanvisningen. En oversikt over autoriserte serviceverksteder og opplysninger om ettersalgsservice og kontakter er også tilgjengelig på Internett:

www.2helpU.com

Besøk vårt webområde

www.blackanddecker.no for å registrere ditt nye Black & Decker-produkt og for å holde deg oppdatert om nye produkter og spesialtilbud. Du finner mer informasjon om Black & Decker og produktutvalget vårt på

www.blackanddecker.no.

Anvendelsesområde

Din Black & Decker Dustbuster® håndholdte støvsuger er udviklet til let våd eller tør støvsugning. Apparatet er kun beregnet til brug i husholdninger.

Design- og patentoplysninger

EU-designregistreringsnumre:

- ◆ 607643-0001
- ◆ 607668-0001
- ◆ 607650-0001

Sikkerhedsvejledninger

Advarsel! Ved brug af batteridrevne apparater er det vigtigt, at grundlæggende sikkerhedsforholdsregler, herunder bl.a. nedenstående, altid følges for at mindske risikoen for brand, batterilækage, personskade og tingskade.

- ◆ Læs hele denne vejledning omhyggeligt, før du bruger apparatet.
- ◆ Apparatets påtænkte anvendelse fremgår af vejledningen. Brugen af ekstraudstyr eller tilbehør eller udførelse af opgaver med apparatet ud over de i brugervejledningen anbefalede kan medføre risiko for personskade.
- ◆ Opbevar denne vejledning til fremtidig brug.

Brug af apparatet

- ◆ Brug ikke apparatet til at opsamle væske eller stoffer, der kan være antændelige.
- ◆ Dette produkt er beregnet til lettere spild. Det skal tømmes regelmæssigt, så det ikke overfyldes.
- ◆ Apparatet må ikke nedsænkes i væsker.
- ◆ Træk aldrig i laderens ledning for at afbryde laderen fra stikkontakten. Beskyt laderens ledning imod varmepåvirkninger, olie og skarpe kanter.
- ◆ Dette apparat er ikke beregnet til at blive betjent af unge eller uerfarne personer uden opsyn. Børn skal holdes under opsyn, så det sikres, at de ikke leger med apparatet.

Efter brug

- ◆ Træk laderen ud af stikkontakten, før laderen eller laderens basisenhed rengøres.
- ◆ Når apparatet ikke er i brug, skal det opbevares på et tørt sted.
- ◆ Børn må ikke have adgang til opbevarede apparater.

Eftersyn og reparationer

- ◆ Før brug skal apparatet kontrolleres for beskadigede eller defekte dele. Se efter knækkede dele, skader på kontakter og eventuelle andre tilstande, der kan påvirke apparatets drift.
- ◆ Brug ikke apparatet, hvis nogen del af det er beskadiget eller defekt.
- ◆ Sørg for at få beskadigede eller defekte dele repareret eller udskiftet på et autoriseret værksted.
- ◆ Kontrollér regelmæssigt laderens ledning for skader. Udskift laderen, hvis ledningen er beskadiget eller defekt.
- ◆ Forsøg aldrig at fjerne eller udskifte dele ud over dem, der er beskrevet i denne vejledning.

Andres sikkerhed

- ◆ Dette apparat må ikke bruges af personer (herunder børn) med nedsatte fysiske, sensoriske eller mentale evner eller manglende erfaring og viden, med mindre det sker under overvågning, eller de vejledes i brugen af apparatet af en person, der er ansvarlig for deres sikkerhed.
- ◆ Børn skal holdes under opsyn, så det sikres, at de ikke leger med værktøjet.

Yderligere sikkerhedsvejledninger - batterier og opladere

Batterier

- ◆ Forsøg aldrig at åbne uanset årsag.
- ◆ Batteriet må ikke udsættes for fugt.
- ◆ Batteriet må ikke udsættes for varme.

- ◆ Opbevar ikke batterier på steder, hvor temperaturen kan overstige 40°C.
- ◆ Oplad kun ved omgivelsestemperaturer mellem 10°C og 40°C.
- ◆ Brug kun den oplader, der fulgte med apparatet/værktøjet, til opladning. Brug af den forkerte oplader kan medføre elektrisk stød eller overophedning af batteriet.
- ◆ Følg vejledningen i afsnittet "Miljøbeskyttelse" ved bortskaffelse af batterier.
- ◆ Undgå at beskadige/deformere batteripakken ved at punktere den eller slå på den, da dette kan forårsage risiko for tilskadekomst eller brand.
- ◆ Beskadigede batterier må ikke oplades.
- ◆ Under ekstreme forhold kan der forekomme batterilækage. Hvis du bemærker væske på batterierne, skal du omhyggeligt tørre den af med en klud. Undgå kontakt med huden.
- ◆ I tilfælde af kontakt med hud eller øjne, skal du følge nedenstående anvisninger.

Advarsel! Batterivæsken kan forårsage personskade eller materielle skader. I tilfælde af kontakt med huden skylles straks med vand. Søg læge, hvis der opstår rødme, smerte eller irritation. Skyl straks med rent vand, og søg læge i tilfælde af kontakt med øjnene.

Ladere

Laderen er udviklet til en specifik spænding. Kontroller altid, at netspændingen svarer til spændingen på typeskiltet.

Advarsel! Forsøg aldrig at erstatte laderenheden med et almindeligt netstik.

- ◆ Brug kun din Black & Decker-lader til at oplade batteriet i det apparat/værktøj, som den blev leveret sammen med. Andre batterier kan eksplodere og forårsage personskade og materiel skade.

- ◆ Forsøg aldrig at oplade ikke-gegnopladelige batterier.
- ◆ Hvis netledningen beskadiges, skal den udskiftes af producenten eller et autoriseret Black & Decker-værksted, så farlige situationer undgås.
- ◆ Laderen må ikke udsættes for fugt.
- ◆ Laderen må ikke åbnes.
- ◆ Undersøg ikke laderen.
- ◆ Apparatet/værktøjet/batteriet skal anbringes et sted med god udluftning, når det oplades.

Elektricitet og sikkerhed

Laderen er udviklet til en specifik spænding. Kontrollér altid, at netspændingen svarer til spændingen på typeskiltet. Forsøg aldrig at erstatte laderenheden med et almindeligt netstik.

Symboler på laderen



Læs hele vejledningen omhyggeligt.



Laderen er dobbelt isoleret. Derfor er jordledning ikke nødvendig.



Fejlsikker skilletransformer. Netforsyningen er elektrisk adskilt fra transformer-udgangen.



Laderen slår automatisk fra, hvis omgivelsestemperaturen bliver for høj. Som følge deraf holder laderen op med at fungere. Laderens basisenhed skal afbrydes fra netforsyningen og indleveres til reparation på et autoriseret værksted.



Laderens basisenhed er kun beregnet til indendørs brug.

Funktioner

1. Støvbeholder
2. Udløserknop
3. Tænd/sluk-kontakt
4. Ladeindikator
5. Laderens basisenhed

Fig. A

6. Sprækkeforsats
7. Tilbehør til vådopsamling

Identifikation af produktet

Modellens design kan bestemmes vha. katalognummerets suffiks. Følgende katalognumre er beskrevet i denne vejledning:

- ◆ WD60XXY/WD72XXY.

Suffikset XX svarer til følgende modeller:

- ◆ 15: Alle enheder leveres med en lille sprækkeforsats og en vådopsamler.

Suffikset Y angiver farve/finish.

Suffikset Y repræsenteret af bogstavet N bruges til modeller med NiMH-batteri.

Installation

Vægmontering af basisenheden

Basisenheden kan placeres på en arbejdsflade eller monteres på væggen, hvilket givet et praktisk opbevarings- og opladningssted til apparatet.

Advarsel! Monter ikke opladeren over en elektrisk kontakt eller et andet elektrisk apparat, i tilfælde af at der drypper vand fra apparatet.

Før vægmontering skal det sikres, at fastgøringsmetoden er egnet til væggenstype og tilstrækkelig til at understøtte apparatets vægt.

Montering

Montering af tilbehør (fig. A og B)

Disse modeller leveres med enkelte dele fra eller alt det følgende tilbehør:

- ◆ En sprækkeforsats (6) til arbejde under trange pladsforhold.
- ◆ Vådopsamler (7) til spildt væske.

Påsat tilbehør på følgende måde:

- ◆ Tag tilbehøret ud af maskinens opbevaringsrum eller basisenhed (5) (fig. I og J).
- ◆ Sæt det ønskede tilbehør i forenden af apparatet.

Restrisici

Der kan opstå yderligere restrisici under brugen af værktøjet, som ikke kan medtages i vedlagte sikkerhedsadvarsler. Disse risici kan opstå pga. forkert anvendelse, langvarig brug etc.

Selv ved overholdelse af relevante sikkerhedsforskrifter og anvendelse af sikkerhedsudstyr kan visse restrisici ikke undgås. Disse omfatter:

- ◆ Tilskadekomst forårsaget af berøring af roterende/bevægelige dele.
- ◆ Tilskadekomst forårsaget af udskiftning af dele, blade eller tilbehør.
- ◆ Tilskadekomst forårsaget af langvarig brug af et værktøj. Husk at holde pause jævnlige ved brug af et værktøj i længere tid.
- ◆ Høreskader.
- ◆ Sundhedsrisici forårsaget af indånding af støv, der genereres ved brug af værktøjet (eksempel: Arbejde med træ, især, eg, bøg og MDF).

Anvendelse

- ◆ Forud for første ibrugtagning skal batteriet oplades i mindst 24 timer.
- ◆ Sæt apparatet til basisenheden, når det ikke er i brug.

Opladning af batteriet (fig. C)

Inden batteriet oplades:

- ◆ Sørg for, at apparatet er slukket. Batteriet oplades ikke, når tænd/sluk-kontakten (3) er i tændpositionen.
- ◆ Sæt apparatet i basisenheden (5) som vist.
- ◆ Tilslut laderen. Tænd på stikkontakten.

Ladeindikatoren (4) begynder at lyse.

- ◆ Lad apparatet lade i mindst 24 timer. Under opladningen kan laderen blive varm. Dette er helt normalt og er ikke ensbetydende med et teknisk problem. Apparatet kan være tilsluttet til laderen i længere perioder. Ladeindikatoren (4) lyser, så længe apparatet er tilsluttet til laderen, der er sat i stikkontakten.
- Advarsel!** Batteriet må ikke oplades i omgivelsestemperaturer under 10°C eller over 40°C.

Start og stop (fig. D)

- ◆ Tænd apparatet ved at skubbe tænd/sluk-kontakten (3) fremad.
- ◆ Sluk apparatet ved at skubbe tænd/sluk-kontakten (3) tilbage.

Tilbehør til vådopsamling (fig. A)

Brug tilbehøret til vådopsamling (7) på ikke-absorberende overflader.

- ◆ Det bedste resultat opnås ved at holde apparatet i en vinkel på 45° og trække det langsomt mod dig selv.
- ◆ På ikke-absorberende overflade, f.eks. tæppe, opsamler apparatet bedst væske, der er spildt, uden tilbehøret.

Rengøring og vedligeholdelse

Advarsel! Rengør filteret og deflektoren (8 og 9) regelmæssigt.

Rengøring af mundstykke og filtre (fig. E - H)

For at sikre optimal sugeeffekt skal filteret rengøres regelmæssigt under brug.

Filtret er genanvendeligt og skal rengøres regelmæssigt.

- ◆ Tryk på udløserknappen (2), og fjern støvbeholderen (1).
- ◆ Fjern filteret og deflektoren (8 og 9) fra støvbeholderen (1) (fig. F). Der er en smal kant (10) i bunden af deflektoren (8), som gør det nemmere at fjerne den fra støvbeholderen (1).
- ◆ Børst eventuelt løstsiddende støv af filteret og deflektoren (8 og 9).
- ◆ Tøm støvbeholderen (1) (fig. G).
- ◆ Vask filteret og deflektoren (8 og 9) i varmt sæbevand (fig. H).

Støvbeholderen (1) kan om nødvendigt også vaskes.

Advarsel! Apparatet må ikke nedsænkes i væsker.

- ◆ Sørg for, at støvbeholderen (1), filteret og deflektoren (8 og 9) er tørre.
- ◆ Sæt filteret og deflektoren (8 og 9) i støvbeholderen (1) igen. Sørg for, at det klikker på plads.
- ◆ Sæt støvbeholderen (1) på apparatet. Sørg for, at støvbeholderen klikker på plads.

Advarsel! Apparatet må aldrig bruges uden filter. Optimal støvsugning kan kun opnås med rene filtre.

Udskiftning af filtrene

Filteret skal udskiftes hver 6. til 9. måned og i øvrigt hvis det bliver slidt eller beskadiget. Udskiftningsfiltre (8) fås hos Black & Decker-forhandleren (katalognr. WVF70):

- ◆ Tag det gamle filter ud af apparatet som beskrevet ovenfor.
- ◆ Sæt det nye filter i apparatet som beskrevet ovenfor.

Opbevaring af tilbehøret (fig. I og J)

- ◆ Tryk tilbehøret ind i de tilsvarende holdere, så det låses fast.

Miljø



Separat bortskaffelse. Dette produkt må ikke bortskaffes sammen med almindeligt husholdningsaffald.

Når dit Black & Decker-produkt en dag er udtjent, eller du ikke længere har brug for det, må du ikke smide det ud sammen med det almindelige affald. Produktet skal bortskaffes særskilt.



Ved adskilt bortskaffelse af brugte produkter og emballage bliver der mulighed for at genanvende forskellige stoffer. Genanvendelse af stoffer medvirker til at forebygge miljøforurening og mindsker behovet for råstoffer.

Lokal lovgivning kan kræve separat indsamling af elprodukter fra husholdningen, ved kommunale affaldsdepoter eller af den detailhandlende ved køb af et nyt produkt.

Black & Decker sørger for at indsamle og genanvende Black & Decker-produkter, når disse ikke længere kan bruges. Hvis du vil benytte dig af denne service, skal du returnere produktet til et autoriseret værksted, der indsamler produkterne for os.

Kontakt det lokale Black & Decker-kontor på den adresse, som er opgivet i denne vejledning, for at få oplysninger om det nærmeste autoriserede værksted. En liste over alle autoriserede Black & Decker-serviceværksteder samt servicevilkår og kontaktpersoner er tilgængelig på internettet på adressen: **www.2helpU.com**.

Batteri (fig. K)



Hvis du selv vil bortskaffe produktet, skal batteriet fjernes som beskrevet nedenfor og bortskaffes i overensstemmelse med gældende lovgivning.

- ◆ Det er hensigtsmæssigt at aflade batteriet ved at betjene apparatet, indtil motoren standser.
- ◆ Tryk på udløserknappen (2), og tag mundstykket (1) af.
- ◆ Fjern de syv skruer, der holder apparatets kabinet sammen.
- ◆ Træk dækselhalvdelen af placeringshalvdelen.
- ◆ Hvis det drejer sig om katalognr. WD60XXY og WD72XXY:
 - Løft hele motor-/ventilator-/batteridelen ud.
- ◆ Kobl batteridelen fra hoveddelen.
- ◆ Anbring batteriet i en egnet emballage for at sikre, at terminalerne ikke kortsluttes.
- ◆ Aflever batteriet på et serviceværksted eller på et lokalt opsamlingssted.

Når batteriet er taget ud af apparatet, kan det ikke sættes i igen.

Tekniske data

	WD60XXY H2	WD72XXY H2
Spænding	Vdc 6,0	7,2
Batteritype	NiCd/NiMH	NiCd/NiMH
Vægt	kg 1,0	1,1

Lader	*A100015D	*A110020D
Model	WD60XXY	WD72XXY
Indgangsspænding	Vac 230	230
Udgangsspænding	Vac 10	11
Udgangsstrømstyrke	mA 150	200
Ladetid ca.	t 24	24
Vægt	kg 0,3	0,3

Lydtrykkniveau i henhold til EN 60704-1: <70 dB(A)

Garanti

Black & Decker garanterer, at produktet er fri for materielle skader og/eller fabrikationsfejl ved levering til kunden. Garantien er et tillæg til forbrugers lovsikrede rettigheder og påvirker ikke disse. Garantien gælder inden for medlemsstaterne af den Europæiske Union og i det Europæiske Frihandelsområde.

Hvis et Black & Decker-produkt går i stykker på grund af materiel skade og/eller fabrikationsfejl eller på anden måde ikke fungerer i overensstemmelse med specifikationen inden for 24 måneder fra købsdatoen, påtager Black & Decker sig at reparere eller ombytte produktet med mindst mulig ulempe for kunden. Garantien gælder ikke for fejl og mangler, der er sket i forbindelse med:

- ◆ normal slitage
- ◆ uheldige følger efter unormal anvendelse af værktøjet
- ◆ overbelastning, hærværk eller overdrevent intensiv brug af værktøjet eller ulykkeshændelse
- ◆ Garantien gælder ikke, hvis reparationer er udført af nogen anden end et autoriseret Black & Decker-værksted.

For at udnytte garantien skal produktet og købskvitteringen indleveres til forhandleren eller til et autoriseret værksted. Kontakt det lokale Black & Decker-kontor på den adresse, som er opgivet i denne vejledning, for at få oplysninger om det nærmeste autoriserede værksted. En liste over alle autoriserede Black & Decker-serviceværksteder samt servicevilkår er tilgængelig på internettet på adressen:

www.2helpU.com

Gå venligst ind på vores websted **www.blackanddecker.dk** for at registrere dit nye produkt og for at blive holdt ajour om nye produkter og specialtilbud. Der findes yderligere oplysninger om mærket Black & Decker og vores produktsortiment på adressen **www.blackanddecker.dk**.

Käyttötarkoitus

Black & Decker Dustbuster® -rikkaimuri on tarkoitettu kevyeen märkä- tai kuivaimurointiin. Laite on tarkoitettu ainoastaan kotitalouskäyttöön.

Malli- ja patenttitiedot

Mallin rekisteröintinumero (EU):

- ◆ 607643-0001
- ◆ 607668-0001
- ◆ 607650-0001

Turvallisuusohjeet

Varoitus! Käytettäessä paristokäyttöisiä laitteita on aina noudatettava perusvarotoimenpiteitä palovaaran, vuotavien paristojen, tapaturmien ja aineellisten vaurioiden välttämiseksi.

- ◆ Lue nämä ohjeet huolellisesti ennen laitteen käyttöä.
- ◆ Käyttötarkoitus kuvataan ohjeissa. Muiden kuin ohjeissa suositeltujen lisävarusteiden tai -osien käyttö sekä laitteen käyttö muuhun kuin oppaassa suositeltuun tarkoitukseen voi aiheuttaa henkilövahingon vaaran.
- ◆ Säilytä ohjeet tulevaa tarvetta varten.

Laitteen käyttö

- ◆ Älä käytä laitetta nesteiden tai syttyvien materiaalien keräämiseen.
- ◆ Tämä laite on tarkoitettu vain pienten roskien imurointiin. Jotta laite ei täyty liikaa, se täytyy tyhjentää säännöllisesti.
- ◆ Älä upota laitetta veteen.
- ◆ Älä koskaan irrota laturia pistorasiasta vetämällä virtajohdosta. Pidä laturin virtajohto etäällä lämmönlähteistä, öljystä ja terävistä reunoista.
- ◆ Tätä laitetta ei ole tarkoitettu nuorten tai hyvin heikkokuntoisten henkilöiden käyttöön ilman valvontaa. Muista, ettei laite ole lasten leikkikalua.

Käytön jälkeen

- ◆ Irrota laturi pistorasiasta ennen laturin puhdistamista.

- ◆ Kun laitetta ei käytetä, se on säilytettävä kuivassa paikassa.
- ◆ Pidä laite lasten ulottumattomissa.

Tarkastus ja korjaus

- ◆ Tarkista ennen laitteen käyttöä, ettei laitteessa ole vahingoittuneita tai viallisia osia. Tarkista osien ja kytkimien kunto sekä muut seikat, jotka voivat vaikuttaa laitteen toimintaan.
- ◆ Älä käytä laitetta, jos jokin osa on vahingoittunut tai viallinen.
- ◆ Korjauta tai vaihdata vaurioituneet tai vialliset osat valtuutetussa huoltoliikkeessä.
- ◆ Tarkista säännöllisesti, ettei laturin virtajohto ole vahingoittunut. Vaihda laturi, jos virtajohto on vahingoittunut tai viallinen.
- ◆ Älä koskaan yritä korjata tai vaihtaa muita kuin ohjeissa erikseen määriteltäviä osia.

Muiden turvallisuus

- ◆ Tätä laitetta ei ole tarkoitettu sellaisten henkilöiden käyttöön, joilla on fyysisiä tai älyllisiä rajoitteita tai aistirajoitteita, eikä laitteen toimintaan perehtymättömien henkilöiden käyttöön (lapset mukaan luettuina), paitsi valvonnan alaisina tai jos he ovat saaneet laitteen käyttöön liittyvää opastusta heidän turvallisuudestaan vastaavalta henkilöltä.
- ◆ Lapsia on valvottava ja heitä on estettävä leikkimästä laitteella.

Akkua ja laturia koskevat turvaohjeet

Akku

- ◆ Älä koskaan yritä avata akkua.
- ◆ Älä anna akun kastua.
- ◆ Älä altista akkua kuumuudelle.
- ◆ Älä säilytä akkua tiloissa, joissa lämpötila voi nousta yli 40°C:n.
- ◆ Lataa akku paikassa, jonka lämpötila on vähintään 10°C ja enintään 40°C.

- ◆ Käytä akun lataamiseen vain laitteen mukana toimitettua laturia. Väärän tyyppinen laturi voi aiheuttaa sähköiskun tai akun ylikuumentumisen.
- ◆ Noudata akkujen hävittämisessä kohdassa Ympäristönsuojelu esitettyjä ohjeita.
- ◆ Suojaa akkua vahingoittumiselta niin, ettei sen kotelo rikkoudu eikä siihen kohdistu iskuja, sillä muutoin voi syntyä henkilövahinkojen ja tulipalon vaara.
- ◆ Älä lataa viallisia akkuja.
- ◆ Vaativissa oloissa voi ilmetä akkuvuotoja. Jos havaitset akkujen pinnalla nestettä, pyyhi se huolellisesti pois. Vältä ihokosketusta.
- ◆ Jos nestettä joutuu silmiin tai iholle, noudata alla olevia ohjeita.

Varoitus! Akkuneste voi aiheuttaa aineellisia vahinkoja tai henkilövahinkoja. Jos nestettä joutuu iholle, se on välittömästi huuhdeltava pois vedellä. Jos ihoa kirvelee tai se punottaa tai on muuten ärtynyt, kysy lisäohjeita lääkäriltä. Jos nestettä joutuu silmiin, huuhto välittömästi puhtaalla vedellä ja mene lääkäriin.

Laturit

Laturi on tarkoitettu tietyille jännitteelle. Tarkista aina, että verkkojännite vastaa arvokilvessä ilmoitettua jännitettä.

Varoitus! Älä yritä korvata laturiyksikköä tavallisella verkkopistokkeella.

- ◆ Käytä Black & Deckerin laturia vain laitteen/työkalun mukana toimitetun akun lataamiseen. Muut akut voivat räjähtää ja aiheuttaa henkilövahinkoja tai aineellisia vahinkoja.
- ◆ Älä koskaan yritä ladata akkuja, joita ei ole tarkoitettu ladattaviksi.
- ◆ Jos virtajohto vahingoittuu, sen vaihtaminen tulee turvallisuussyistä jättää valmistajan tai valtuutetun Black & Decker -huollon tehtäväksi.
- ◆ Älä altista laturia vedelle.
- ◆ Älä avaa laturia.

- ◆ Älä työnnä mitään laturin sisään.
- ◆ Lataa laite/työkalu/akku paikassa, jossa on kunnollinen ilmanvaihto.

Sähköturvallisuus

Laturi on tarkoitettu tietyille jännitteelle. Tarkista aina, että verkkojännite vastaa arvokilvessä ilmoitettua jännitettä. Älä yritä korvata laturiyksikköä tavallisella verkkopistokkeella.

Laturin symbolit



Lue tämä käyttöohje huolellisesti.



Laturi on kaksoiseristetty, joten erillistä maadoitusta ei tarvita.



Toimintavarma eristävä muuntaja. Muuntajalähtö on eristetty sähköisesti sähköverkosta.



Laturi kytkeytyy automaattisesti pois päältä, jos ympäröivä lämpötila nousee liian korkeaksi. Tällöin laturia ei voi enää käyttää. Irrota laturi sähköverkosta ja toimita se valtuutettuun huoltoliikkeeseen korjattavaksi.



Laturi on tarkoitettu ainoastaan sisäkäyttöön.

Yleiskuvaus

1. Pölynkerääjä
2. Vapautuspainike
3. Virtakytkin
4. Lataustilan ilmaisim
5. Laturi

Kuva A

6. Rakosuulake
7. Suulake nesteiden imurointiin

Laitteen tunnistetiedot

Luettelonumeron loppuosasta käy ilmi mallin tyyppitunnus. Tässä

käyttöohjeessa käsitellään tuotteita, joiden luettelonumero on seuraava:

- ◆ WD60XXY/WD72XXY.

Koodin loppuosan XX viittaa seuraaviin malleihin:

- ◆ 15: Kaikki laitteet, joiden mukana toimitetaan rakosuulake ja suulake nesteiden imurointiin.

Koodin loppuosan Y ilmoittaa väri- tai pintavaihtoehdon.

Koodin loppuosan Y:n tilalla oleva N viittaa malleihin, joissa on NiMH-akku.

Asennus

Lataustelineen kiinnittäminen seinään

Laturi voidaan asettaa työtasolle tai kiinnittää seinään, ja se on kätevä laitteen säilytys- ja latauspaikka.

Varoitus! Älä kiinnitä laturia pistorasian tai toisen sähkölaitteen yläpuolelle, jotta tästä laitteesta ei tippuisi vettä sen päälle.

Varmista seinäkiinnityksessä, että kiinnitystapa on seinätyyppiin ja laitteen painoon nähden sopiva.

Kokoaminen

Lisälaitteiden kiinnittäminen (kuvat A ja B)

Näihin malleihin kuuluu seuraavia lisävarusteita (osa näistä tai kaikki):

- ◆ rakosuulake (6), tarkoitettu ahtaiden tilojen imurointiin.
- ◆ suulake (7) nesteiden imurointiin.

Kiinnitä lisävaruste seuraavasti:

- ◆ Irrota lisävaruste säilytyspaikastaan joko itse laitteesta tai lataustelineestä (5) (kuvat. I ja J).
- ◆ Kiinnitä lisävaruste laitteen nokkaan.

Jäännösriskit

Jäännösriskit ovat mahdollisia, jos käytät työkalua muulla kuin turvavaroituksissa mainitulla tavalla. Nämä riskit voivat liittyä muun muassa virheelliseen tai pitkäaikaiseen käyttöön.

Tiettyjä jäännösriskejä ei voi välttää, vaikka noudatat kaikkia turvamääräyksiä ja käytät turvalaitteita. Näihin kuuluvat muun muassa

- ◆ pyörivien tai liikkuvien osien koskettamisen aiheuttamat vahingot
- ◆ osia, teriä tai lisävarusteita vaihdettaessa aiheutuneet vahingot
- ◆ työkalun pitkäaikaisen käytön aiheuttamat vahingot Kun käytät työkalua pitkään, varmista, että pidät säännöllisesti taukoja.
- ◆ kuulovauriot
- ◆ työkalua käytettäessä (esimerkiksi puuta, erityisesti tammea, pyökkiiä ja MDF-levyjä, käsiteltäessä) syntyneen pölyn sisäänhengityksen aiheuttamat terveysriskit.

Käyttö

- ◆ Ennen ensimmäistä käyttökertaa akkua on ladattava vähintään 24 tuntia.
- ◆ Aseta laite laturiin aina, kun et käytä laitetta.

Akun lataaminen (kuva C)

Ennen kuin lataat akun:

- ◆ Varmista, että laite on kytketty pois päältä. Akku ei lataudu, jos laitteen virta on kytkettynä virtakytkimestä (3).
- ◆ Aseta laite laturiin (5) kuvan osoittamalla tavalla.
- ◆ Kytke laturi pistorasiaan. Kytke virta.

Lataustilan ilmaisain (4) syttyy.

- ◆ Anna laitteen latautua vähintään 24 tuntia.

Laite saattaa lämmetä latautuessaan.

Tämä on normaalia eikä ole merkki ongelmasta. Laite voidaan jättää kiinni laturiin määräämättömäksi ajaksi.

Lataustilan ilmaisain (4) palaa niin kauan kuin laite on pistorasiaan liitettyssä laturissa.

Varoitus! Älä lataa akkua, jos ympäröivä lämpötila on alle +10°C tai yli +40°C.

Käynnistys ja pysäytys (kuva D)

- ◆ Virta kytketään imuriin työntämällä virtakytkintä (3) eteenpäin.
- ◆ Virta katkaistaan työntämällä virtakytkintä (3) taaksepäin.

Märkien roiskeiden imurointi (kuva A)

Käytä nesteiden imurointiin tarkoitettua suulaketta (7) kosteutta imemättömillä pinnoilla.

- ◆ Parhaat tulokset tätä tarviketta käytettäessä saat pitämällä laitetta 45°:n kulmassa ja vetämällä sitä hitaasti itseäsi kohti.
- ◆ Laite siivoaa märät roiskeet nestettä imeviltä pinnoilta (kuten matolta) paremmin ilman lisäosaa.

Puhdistus ja hoito

Varoitus! Puhdista suodatin ja suojus (8 ja 9) säännöllisesti.

Pölynkerääjän ja suodattimien puhdistaminen (kuvat E - H)

Jotta imuteho pysyisi mahdollisimman hyvänä, suodatin on puhdistettava säännöllisesti käytön aikana.

Suodattimet ovat uudelleen käytettäviä, ja ne on puhdistettava säännöllisesti.

- ◆ Paina vapautuspainiketta (2) ja irrota pölynkerääjä (1).
- ◆ Poista suodatin ja suojus (8 ja 9) pölynkerääjästä (1) (kuva F). Suojuksen (8) alareunassa on pieni kolo, jonka avulla voit poistaa sen pölynkerääjästä (1).
- ◆ Harjaa irtopöly suodattimesta ja suojuksesta (8 ja 9).
- ◆ Tyhjennä pölynkerääjä (1) (kuva G).
- ◆ Pese suodatin ja suojus (8, 9) lämpimällä pesuainevedellä (kuva H). Myös pölynkerääjän (1) voi tarvittaessa pestä.

Varoitus! Älä upota laitetta veteen.

- ◆ Varmista, että pölynkerääjä (1) ja suodatin ja suojus (8 ja 9) ovat kuivia.
- ◆ Kiinnitä suodatin ja suojus (8 ja 9) takaisin pölynkerääjään (1). Varmista, että ne napsahtavat paikalleen.
- ◆ Kiinnitä pölynkerääjä (1) takaisin imuriin. Varmista, että pölynkerääjä napsahtaa paikalleen.

Varoitus! Älä koskaan käytä laitetta ilman suodatinta. Parhaan

puhdistustuloksen saa vain, kun suodattimet ovat puhtaat.

Suodattimien vaihtaminen

Suodatin on hyvä vaihtaa 6-9 kuukauden välein ja aina, kun ne ovat kuluneet tai vahingoittuneet. Vaihtosuodattimia (8) on saatavana Black & Deckerin jälleenmyyjiltä (tuotenro WV70).

- ◆ Poista vanha suodatin yllä kuvatulla tavalla.
- ◆ Aseta uusi suodatin paikalleen yllä kuvatulla tavalla.

Lisävarusteiden säilyttäminen (kuvat I ja J)

- ◆ Paina lisävarustetta pidikettään vasten, kunnes lisävaruste napsahtaa paikalleen.

Ympäristö



Erillinen keräys. Tätä tuotetta ei saa hävittää normaalin kotitalousjätteen mukana.

Kun laitteesi aikanaan täytyy vaihtaa tai ei kelpaa enää käyttöön, ota huomioon ympäristökäytöt. Black & Deckerin valtuutetut huoltoliikkeet ottavat vastaan Black & Decker -työkaluja ja varmistavat, että ne hävitetään ympäristöystävällisesti.



Käytettyjen tuotteiden ja pakkausmateriaalien erilliskeruun avulla materiaalit voidaan kierrättää ja käyttää uudelleen. Kierrätysmateriaalien käyttö auttaa vähentämään ympäristön saastumista ja uusien raaka-aineiden tarvetta.

Paikallisissa säädöksissä voidaan määrätä, että kodin sähkötuotteiden keruu tapahtuu kaupunkien jätteidenkäsittelyasemilla tai laitteita myyvissä liikkeissä uuden tuotteen oston yhteydessä.

Kun laitteesi on käytetty loppuun, älä heitä sitä tavallisten roskien mukana pois, vaan vie se paikkakuntasi

kierrätyskeskukseen tai jätä valtuutettuun Black & Deckerin huoltoliikkeeseen.

Tiedot valtuutetuista huoltoliikkeistä saa ottamalla yhteyttä Black & Decker Oy:hyn sekä Internetistä osoitteesta www.2helpU.com.

Akku (kuva K)



Jos haluat hävittää laitteen itse, akku on ensin poistettava alla kuvatulla tavalla ja hävitettävä jätehuoltomääräyksiä noudattaen.

- On suositeltavaa tyhjentää akku käyttämällä imuria, kunnes sen moottori pysähtyy.

- Paina vapautuspainiketta (2) ja irrota pölynkerääjä (1).
- Avaa laitteen runkoa koossa pitävät seitsemän ruuvia.
- Vedä kansi irti pohjaosasta.
- Imurit, joiden tuotenumero on WD60XXY tai WD72XXY:
 - nosta moottorista, puhaltimesta ja akusta koostuva elementti ylös.
- Irrota akkupaketti tuosta elementistä.
- Sijoita akku sopivaan pakkaukseen siten, etteivät navat pääse keskenään oikosulkuun.
- Toimita akku paikalliseen huoltoliikkeeseen tai kierrätyspisteeseen.

Kun akku on irrotettu, sitä ei voi asettaa enää paikalleen.

Tekniset tiedot

	WD60XXY H2	WD72XXY H2
Jännite	V DC 6,0	7,2
Akun tyyppi	NiCd/NiMH	NiCd/NiMH
Paino	kg 1,0	1,1

Laturi	*A100015D	*A110020D
Mallissa	WD60XXY	WD72XXY
Syöttöjännite	V AC 230	230
Lähtöjännite	V AC 10	11
Latausvirta	mA 150	200
Arvioitu latausaika	h 24	24
Paino	kg 0,3	0,3

Äänenpainetaso mitattuna EN 60704-1:n mukaisesti: <70 dB(A)

Takuu

Black & Decker Oy takaa, ettei tuotteessa ollut materiaali- ja/tai valmistusvikaa silloin, kun se toimitettiin ostajalle. Takuu on lisäys kuluttajan laillisiin oikeuksiin eikä vaikuta niihin. Takuu on voimassa Euroopan unionin jäsenmaissa ja Euroopan vapaakauppa-alueella (EFTA). Mikäli Black & Decker -tuote hajooa materiaali- ja/tai valmistusvirheen tai teknisten tietojen epätarkkuuden vuoksi 24 kk:n kuluessa ostopäivästä, Black & Decker korjaa laitteen ilman kustannuksia ostajalle tai vaihtaa sen uuteen Black & Decker Oy:n valinnan

mukaan. Takuu ei kata vikoja, jotka johtuvat laitteen

- normaalista kulumisesta
- ylikuormituksesta, virheellisestä käytöstä tai hoidosta
- vahingoittamisesta vieraalla esineellä tai aineella tai onnettomuustapauksessa.
- Takuu ei ole voimassa, mikäli laitetta on korjannut joku muu kuin Black & Deckerin valtuuttama huoltoliike.

Edellytyksenä takuun saamiselle on, että ostaja jättää koneen ja ostokuitin jälleenmyyjälle tai valtuutetulle huoltoliikkeelle viimeistään 2 kuukauden kuluessa vian ilmenemisestä. Tiedot valtuutetuista huoltoliikkeistä saa ottamalla yhteyttä Black & Decker Oy:hyn sekä Internetistä osoitteesta

www.2helpU.com, jossa on myös takuehdot.

Rekisteröi uusi Black & Decker -tuotteesi ja katso uusien tuotteiden ja erikoistarjousten tiedot verkkosivuiltamme osoitteesta

www.blackanddecker.fi. Tietoja Black & Decker -tavaramerkistä ja tuotevalikoimastamme on osoitteessa **www.blackanddecker.fi**.

Ενδεδειγμένη χρήση

Το ηλεκτρικό σκουπάκι Black & Decker Dustbuster® Plus έχει σχεδιαστεί για ελαφρύ ηλεκτρικό σκούπισμα στεγνών ή βρεγμένων επιφανειών. Αυτή η συσκευή προορίζεται μόνο για οικιακή χρήση.

Πληροφορίες σχετικά με τη Σχεδίαση και το Δίπλωμα Ευρεσιτεχνίας

Αριθμοί κατάθεσης σχεδίων EC:

- ◆ 607643-0001
- ◆ 607668-0001
- ◆ 607650-0001

Οδηγίες ασφαλείας

Προειδοποίηση! Κατά τη χρήση συσκευών που τροφοδοτούνται με μπαταρίες, θα πρέπει να λαμβάνονται οι βασικές προφυλάξεις ασφαλείας, συμπεριλαμβανομένων των παρακάτω, για τον περιορισμό του κινδύνου πυρκαγιάς, διαρροής των μπαταριών, τραυματισμού προσώπων και υλικών ζημιών.

- ◆ Πριν χρησιμοποιήσετε τη συσκευή διαβάστε προσεκτικά ολόκληρο το εγχειρίδιο.
- ◆ Η ενδεδειγμένη χρήση περιγράφεται σε αυτό το εγχειρίδιο. Τόσο η χρήση εξαρτημάτων ή προσθηκών όσο και η πραγματοποίηση εργασιών με τη συσκευή που δεν συνιστώνται σε αυτό το εγχειρίδιο οδηγούν εγκυμονεί κίνδυνο τραυματισμού.
- ◆ Φυλάξτε αυτό το εγχειρίδιο για μελλοντική αναφορά.

Χρησιμοποίηση της συσκευής

- ◆ Μη χρησιμοποιείτε τη συσκευή για να περισυλλέξετε υγρά ή άλλα υλικά που θα μπορούσαν να πιάσουν φωτιά.
- ◆ Το προϊόν αυτό έχει σχεδιαστεί για τη συλλογή μόνο μικρών ποσοτήτων χυμένων υγρών. Αδειάζετε τακτικά το συγκρότημα συλλογής για να αποφύγετε υπερπλήρωση.
- ◆ Μη βουτάτε τη συσκευή μέσα σε νερό.
- ◆ Ποτέ μην αποσυνδέετε το φορτιστή από την πρίζα τραβώντας τον από καλώδιο του. Διατηρείτε το καλώδιο

φορτιστή σε απόσταση από πηγές θερμότητας, λάδια και κοφτερές αιχμές.

- ◆ Αυτή η συσκευή δεν πρέπει να χρησιμοποιηθεί από νέους ή αδύναμα άτομα χωρίς επιτήρηση. Τα παιδιά πρέπει να επιτηρούνται για να είστε σίγουροι ότι δεν παίζουμε με τη συσκευή.

Μετά τη χρήση

- ◆ Πριν καθαρίσετε τον φορτιστή ή την βάση φόρτισης αποσυνδέστε τον από την πρίζα.
- ◆ Όταν δεν χρησιμοποιείται, η συσκευή πρέπει να φυλάσσεται σε στεγνό μέρος.
- ◆ Τα παιδιά δεν πρέπει να έχουν πρόσβαση σε αποθηκευμένες συσκευές.

Επιθεώρηση και επισκευές

- ◆ Πριν από τη χρήση, ελέγξτε τη συσκευή σας για τυχόν κατεστραμμένα ή ελαττωματικά τμήματα. Ελέγξτε αν υπάρχουν σπασμένα εξαρτήματα, ζημιά στους διακόπτες και οποιεσδήποτε άλλες συνθήκες που θα μπορούσαν να επηρεάσουν τη λειτουργία της.
- ◆ Μη χρησιμοποιείτε τη συσκευή, αν κάποιο εξάρτημά της παρουσιάζει ελάττωμα.
- ◆ Φροντίστε να γίνει η επισκευή ή η αντικατάσταση των τυχόν ελαττωματικών εξαρτημάτων από εξουσιοδοτημένο κέντρο επισκευών.
- ◆ Να ελέγχετε τακτικά την κατάσταση του καλωδίου του φορτιστή. Σε περίπτωση που το καλώδιο του φορτιστή παρουσιάζει ζημιά ή ελάττωμα, αντικαταστήστε τον φορτιστή.
- ◆ Ποτέ μην επιχειρείτε να αφαιρέσετε ή να αντικαταστήσετε εξαρτήματα, άλλα από αυτά που προσδιορίζονται σε αυτό το εγχειρίδιο.

Ασφάλεια τρίτων

- ◆ Αυτή η συσκευή δεν προορίζεται για χρήση από άτομα (στα οποία περιλαμβάνονται και τα παιδιά) με μειωμένες φυσικές, αντιληπτικές ή διανοητικές ικανότητες ή άτομα χωρίς εμπειρία και γνώσεις, παρά μόνο εφόσον επιτηρούνται ή τους έχουν δοθεί οδηγίες σχετικά με τη χρήση της συσκευής από άτομο υπεύθυνο για την ασφάλειά τους.
- ◆ Τα παιδιά πρέπει να επιτηρούνται για να διασφαλίζεται ότι δεν παίζουν με τη συσκευή.

Συμπληρωματικές οδηγίες ασφαλείας - μπαταρίες και φορτιστές**Μπαταρίες**

- ◆ Μην επιχειρήσετε ποτέ να ανοίξετε τις μπαταρίες για οποιοδήποτε λόγο.
- ◆ Μην εκθέτετε την μπαταρία σε νερό.
- ◆ Μην εκθέτετε την μπαταρία σε θερμότητα.
- ◆ Μη φυλάσσετε τις μπαταρίες σε μέρη όπου η θερμοκρασία μπορεί να υπερβεί τους 40°C.
- ◆ Η φόρτιση πρέπει να γίνεται μόνο σε θερμοκρασίες περιβάλλοντος μεταξύ 10°C και 40°C.
- ◆ Η φόρτιση πρέπει να γίνεται μόνο με το φορτιστή που παρέχεται μαζί με τη συσκευή/εργαλείο. Η χρήση άλλου φορτιστή μπορεί να προκαλέσει ηλεκτροπληξία ή υπερθέρμανση της μπαταρίας.
- ◆ Όταν απορρίπτετε τις μπαταρίες, ακολουθήστε τις οδηγίες που δίνονται στην ενότητα "Προστασία του περιβάλλοντος".
- ◆ Μην καταστρέψετε/παραμορφώνετε την μπαταρία είτε τρυπώντας ή χτυπώντας την, διότι μπορεί να προκληθεί κίνδυνος τραυματισμού ή πυρκαγιάς.
- ◆ Μη φορτίζετε τις κατεστραμμένες μπαταρίες.

- ◆ Κάτω από ακραίες συνθήκες, μπορεί να επέλθει διαρροή υγρών μπαταρίας. Αν παρατηρήσετε υγρό πάνω στις μπαταρίες, σκουπίστε το προσεκτικά με ένα πανί. Αποφύγετε την επαφή με το δέρμα.
- ◆ Στην περίπτωση επαφής με το δέρμα ή τα μάτια, ακολουθήστε τις παρακάτω οδηγίες.

Προειδοποίηση! Το υγρό της μπαταρίας μπορεί να προκαλέσει τραυματισμό ή υλικές ζημιές. Στην περίπτωση επαφής με το δέρμα, ξεπλύνετε αμέσως με άφθονο νερό. Αν παρουσιαστεί κοκκίνισμα του δέρματος, πόνος ή ερεθισμός, ζητήστε ιατρική βοήθεια. Στην περίπτωση επαφής με τα μάτια, ξεπλύνετε αμέσως με άφθονο καθαρό νερό και ζητήστε ιατρική βοήθεια.

Φορτιστές

Ο φορτιστής σας είναι σχεδιασμένος για μια συγκεκριμένη ηλεκτρική τάση. Ελέγχετε πάντα αν η τάση τροφοδοσίας αντιστοιχεί σε αυτήν που αναγράφεται στην πινακίδα χαρακτηριστικών.

Προειδοποίηση! Ποτέ μην επιχειρείτε να αντικαταστήσετε τη μονάδα φορτιστή με έναν κανονικό ρευματολήπτη.

- ◆ Ο φορτιστής Black & Decker πρέπει να χρησιμοποιείται αποκλειστικά και μόνο για τη φόρτιση της μπαταρίας της συσκευής/του εργαλείου που συνοδεύει. Αν χρησιμοποιηθεί για άλλες μπαταρίες, αυτές μπορεί να εκραγούν, προκαλώντας τραυματισμό και ζημιές.
- ◆ Μην επιχειρείτε ποτέ να φορτίσετε μη επαναφορτιζόμενες μπαταρίες.
- ◆ Αν το καλώδιο ρεύματος έχει υποστεί φθορά, η αντικατάστασή του πρέπει να γίνει από τον κατασκευαστή ή από ένα εξουσιοδοτημένο κέντρο της Black & Decker, ώστε να μην αποτελέσει κίνδυνο.
- ◆ Μην εκθέτετε το φορτιστή σε νερό.
- ◆ Μην ανοίγετε το φορτιστή.
- ◆ Μην επεμβαίνετε στο φορτιστή.

- ♦ Κατά τη φόρτιση, η συσκευή/ εργαλείο/μπαταρία πρέπει να βρίσκεται σε καλά αεριζόμενο χώρο.

Ασφαλής χρήση του ηλεκτρικού ρεύματος

Ο φορτιστής σας είναι σχεδιασμένος για μια συγκεκριμένη ηλεκτρική τάση. Ελέγχετε πάντα αν η τάση τροφοδοσίας αντιστοιχεί σε αυτήν που αναγράφεται στην πινακίδα χαρακτηριστικών. Ποτέ μην επιχειρείτε να αντικαταστήσετε τη μονάδα φορτιστή με έναν κανονικό ρευματολήπτη.

Σύμβολα επάνω στο φορτιστή



Διαβάστε ολόκληρο το εγχειρίδιο προσεκτικά.



Ο φορτιστής σας φέρει διπλή μόνωση, επομένως δεν απαιτείται σύρμα γείωσης.



Μονωτικός μετασχηματιστής εξασφαλισμένης λειτουργίας. Η τροφοδοσία δικτύου είναι ηλεκτρικά διαχωρισμένη από την έξοδο του μετασχηματιστή.



Ο φορτιστής απενεργοποιείται αυτόματα όταν η θερμοκρασία περιβάλλοντος ανέβει υπερβολικά. Με συνέπεια, ο φορτιστής να αχρηστεύεται. Η βάση φόρτισης θα πρέπει να αποσυνδεθεί από την πρίζα και να μεταφερθεί σε ένα εξουσιοδοτημένο κέντρο.



Η βάση φόρτισης προορίζεται για χρήση σε εσωτερικούς χώρους μόνο.

Χαρακτηριστικά

1. Συλλέκτης σκόνης
2. Πλήκτρο απελευθέρωσης
3. Διακόπτης on/off
4. Ενδεικτική λυχνία φόρτισης
5. Βάση φόρτισης

Εικ. Α

6. Εξάρτημα για χαραμάδες
7. Εξάρτημα υγρής συλλογής

Αναγνώριση του προϊόντος σας

Το σχέδιο του μοντέλου μπορεί να προσδιοριστεί από τους κωδικούς κατάληξης που χρησιμοποιούνται στους αριθμούς καταλόγου. Οι ακόλουθοι αριθμοί καταλόγου περιγράφονται στο παρόν εγχειρίδιο:

- ♦ WD60XXY/WD72XXY.

Ο κωδικός κατάληξης XX αντιστοιχεί στα ακόλουθα σχέδια:

- ♦ 15: Όλες οι συσκευές, οι οποίες συνοδεύονται από ένα μικρό εξάρτημα για χαραμάδες και ένα συγκρότημα υγρής συλλογής.

Ο κωδικός κατάληξης Y χρησιμοποιείται για τον προσδιορισμό της σειράς επιλογών χρώματος/φινιρίσματος.

Ο κωδικός κατάληξης Y που αντιπροσωπεύεται από το γράμμα N χρησιμοποιείται για μοντέλα με μπαταρία NiMH.

Εγκατάσταση

Τοποθέτηση της βάσης φόρτισης στον τοίχο

Η βάση φόρτισης μπορεί να τοποθετηθεί πάνω σε μια επιφάνεια εργασίας ή να εγκατασταθεί πάνω στον τοίχο για εύκολη φύλαξη και φόρτιση της συσκευής.

Προειδοποίηση! Μην τοποθετείτε το φορτιστή πάνω από πρίζες ή άλλες ηλεκτρικές συσκευές. Υπάρχει περίπτωση να στάζουν υγρά από τη συσκευή σας.

Όταν τη στερεώνετε στον τοίχο, να βεβαιώνετε ότι η μέθοδος στερέωσης είναι κατάλληλη για τον τύπο τοίχου και το βάρος της συσκευής.

Συναρμολόγηση

Τοποθέτηση των εξαρτημάτων (εικ. Α & Β)

Με τα μοντέλα αυτά παρέχονται όλα ή μερικά από τα παρακάτω εξαρτήματα:

- ◆ Ένα εξάρτημα για χαραμάδες (6) για περιορισμένους χώρους.
- ◆ Ένα συγκρότημα υγρής συλλογής (7) για χυμένα υγρά.

Για να τοποθετήσετε ένα εξάρτημα, προχωρήστε όπως ακολουθεί:

- ◆ Αφαιρέστε το εξάρτημα από τη θέση αποθήκευσής του στη συσκευή ή στη βάση φόρτισης (5) (εικ. I & J).
- ◆ Εισάγετε το εξάρτημα στο μπροστινό μέρος της συσκευής.

Αναπόφευκτοι κίνδυνοι

Μπορεί να προκληθούν επιπρόσθετοι αναπόφευκτοι κίνδυνοι όταν χρησιμοποιείτε το εργαλείο οι οποίοι μπορεί να μη συμπεριλαμβάνονται στις προειδοποιήσεις ασφαλείας που εσωκλείονται. Αυτοί οι κίνδυνοι μπορεί να προκληθούν από κακή χρήση, παρατεταμένη χρήση κτλ.

Ακόμα και με την τήρηση των σχετικών κανονισμών ασφαλείας και τη χρήση μέσων προστασίας, ορισμένοι κίνδυνοι δεν είναι δυνατό να εξαλειφθούν. Αυτοί περιλαμβάνουν:

- ◆ Τραυματισμούς από το άγγιγμα των περιστρεφόμενων/κινούμενων μερών.
- ◆ Τραυματισμούς από αλλαγή οποιωνδήποτε εξαρτημάτων, λεπίδων ή αξεσουάρ.
- ◆ Τραυματισμούς από παρατεταμένη χρήση του εργαλείου. Όταν χρησιμοποιείτε οποιοδήποτε εργαλείο για παρατεταμένες χρονικές περιόδους βεβαιωθείτε ότι κάνετε τακτικά διαλείμματα.
- ◆ Προβλήματα ακοής.
- ◆ Κίνδυνοι στην υγεία που προκαλούνται από την εισπνοή σκόνης όταν χρησιμοποιείτε το εργαλείο (παράδειγμα:- όταν επεξεργάζεστε ξύλο, ειδικά δρυς, οξιά και MDF).

Χρήση

- ◆ Πριν από την πρώτη χρήση, η μπαταρία θα πρέπει να έχει φορτιστεί για 24 ώρες τουλάχιστον.
- ◆ Όταν η συσκευή δεν χρησιμοποιείται θα πρέπει να τοποθετείται πάνω στη βάση φόρτισης.

Φόρτιση της μπαταρίας (εικ. C)

Πριν τη φόρτιση της μπαταρίας:

- ◆ Βεβαιωθείτε ότι η συσκευή είναι απενεργοποιημένη. Η μπαταρία δε φορτίζεται όταν ο διακόπτης λειτουργίας (3) είναι στη θέση 'on'.
- ◆ Τοποθετήστε τη συσκευή πάνω στη βάση φόρτισης (5) όπως υποδεικνύεται.
- ◆ Βάλτε τον φορτιστή στην πρίζα. Ενεργοποιήστε από το δίκτυο.

Η ενδεικτική λυχνία φόρτισης (4) θα ανάψει.

- ◆ Αφήστε τη συσκευή να φορτίσει για τουλάχιστον 24 ώρες.

Κατά τη φόρτιση, ο φορτιστής μπορεί να θερμανθεί. Αυτό είναι φυσιολογικό και δεν υποδεικνύει κάποιο πρόβλημα. Η συσκευή μπορεί να μείνει συνδεδεμένη με τον φορτιστή για αόριστο χρονικό διάστημα. Η ενδεικτική λυχνία φόρτισης (4) μένει αναμμένη εφόσον η συσκευή είναι συνδεδεμένη με τον ενσωματωμένο φορτιστή.

Προειδοποίηση! Μη φορτίζετε την μπαταρία σε θερμοκρασίες περιβάλλοντος κάτω από 10°C ή πάνω από 40°C.

Ενεργοποίηση και απενεργοποίηση (εικ. D)

- ◆ Για να ενεργοποιήσετε τη συσκευή, σπρώξτε το διακόπτη λειτουργίας (3) προς τα εμπρός.
- ◆ Για να απενεργοποιήσετε τη συσκευή, σπρώξτε το διακόπτη λειτουργίας (3) προς τα πίσω.

Υγρή συλλογή (εικ. A)

Χρησιμοποιήστε το εξάρτημα υγρής συλλογής (7) σε μη απορροφητικές επιφάνειες.

- ♦ Για καλύτερα αποτελέσματα όταν χρησιμοποιείτε το εξάρτημα, κρατάτε τη συσκευή υπό γωνία 45° και τραβήξτε το απαλά προς το μέρος σας.
- ♦ Σε απορροφητικές επιφάνειες, όπως χαλιά, η συσκευή σας θα συλλέξει τα χυμένα υγρά καλύτερα χωρίς το εξάρτημα.

Καθαρισμός και συντήρηση

Προειδοποίηση! Καθαρίζετε τακτικά το φίλτρο και τον εκτροπέα ρινισμάτων (8 & 9).

Καθαρισμός του συλλέκτη σκόνης και των φίλτρων (εικ. E - H)

Για να κρατήσετε τη βέλτιστη δύναμη αναρρόφησης, καθαρίζετε το φίλτρο τακτικά κατά τη χρήση.

Το φίλτρο είναι επαναχρησιμοποιήσιμο και θα πρέπει να καθαρίζεται τακτικά.

- ♦ Πιέστε το κουμπί αποδέσμευσης (2) και αφαιρέστε το συλλέκτη σκόνης (1).
- ♦ Αφαιρέστε το φίλτρο και τον εκτροπέα ρινισμάτων (8 & 9) από το συλλέκτη σκόνης (1) (εικ. F). Κάτω από τον εκτροπέα ρινισμάτων (8) υπάρχει μια προεξοχή (10) που σας βοηθά να τον αφαιρέσετε από το συλλέκτη σκόνης (1)
- ♦ Αφαιρέστε με τη βούρτσα την υπόλοιπη σκόνη από το φίλτρο και τον εκτροπέα ρινισμάτων (8 & 9).
- ♦ Αδειάστε το συλλέκτη σκόνης (1) (εικ. G).
- ♦ Πλύνετε το φίλτρο και τον εκτροπέα ρινισμάτων (8 & 9) σε ζεστή σαπουνάδα (εικ. H). Εάν χρειάζεται, μπορεί να πλυθεί και ο συλλέκτης σκόνης (1).

Προειδοποίηση! Μην βουτάτε τη συσκευή μέσα σε νερό.

- ♦ Βεβαιωθείτε ότι έχουν στεγνώσει ο συλλέκτης σκόνης (1) το φίλτρο και ο εκτροπέας σκόνης (8 & 9).
- ♦ Επανατοποθετήστε το φίλτρο και τον εκτροπέα ρινισμάτων (8 & 9) στο συλλέκτη σκόνης (1). Βεβαιωθείτε ότι έχουν ασφαλίσει στη θέση τους.

- ♦ Επανατοποθετήστε στη συσκευή το συλλέκτη σκόνης (1). Βεβαιωθείτε ότι ο συλλέκτης σκόνης ασφαλίσει στη θέση του.

Προειδοποίηση! Μη χρησιμοποιείτε ποτέ τη συσκευή χωρίς το φίλτρο. Η βέλτιστη περισυλλογή της σκόνης επιτυγχάνεται μόνο με καθαρά φίλτρα.

Αντικατάσταση των φίλτρων

Το φίλτρο θα πρέπει να αλλάζεται κάθε 6 με 9 μήνες και όταν έχει φθαρεί ή καταστραφεί. Ανταλλακτικά φίλτρα (8) διατίθενται από τα εμπορικά σημεία πώλησης προϊόντων Black & Decker (αρ. κατ. WVF70):

- ♦ Αφαιρέστε το παλιό φίλτρο όπως περιγράφεται παραπάνω.
- ♦ Τοποθετήστε το καινούριο φίλτρο όπως περιγράφεται παραπάνω.

Αποθήκευση των εξαρτημάτων (εικ. I & J)

- ♦ Σπρώξτε τα εξαρτήματα μέσα στις αντίστοιχες υποδοχές μέχρι να ασφαλισουν.

Προστασία του περιβάλλοντος



Ξεχωριστή περισυλλογή. Αυτό το προϊόν δεν πρέπει να απορρίπτεται μαζί με τα κοινά οικιακά απορρίμματα.

Εάν κάποια μέρα διαπιστώσετε ότι το προϊόν σας Black & Decker χρειάζεται αντικατάσταση, ή ότι δεν το χρειάζεστε άλλο, μην το απορρίψετε μαζί με τα κοινά οικιακά απορρίμματα αλλά κάντε αυτό το προϊόν διαθέσιμο για ανεξάρτητη αποκομιδή.



Η ανεξάρτητη συλλογή των μεταχειρισμένων προϊόντων και των υλικών συσκευασίας δίνει τη δυνατότητα ανακύκλωσης και επαναχρησιμοποίησης των υλικών. Με την επαναχρησιμοποίηση των ανακυκλωμένων υλικών αποτρέπεται η μόλυνση του

περιβάλλοντος και μειώνεται η ζήτηση πρώτων υλών.

Οι κανονισμοί που ισχύουν στην περιοχή σας ενδέχεται να προβλέπουν την επιλεκτική περισυλλογή των ηλεκτρικών συσκευών που προέρχονται από νοικοκυριά σε κρατικές εγκαταστάσεις ή από τον έμπορο όταν αγοράσετε ένα καινούργιο προϊόν.

Η Black & Decker δίνει τη δυνατότητα ανακύκλωσης των προϊόντων της που έχουν συμπληρώσει τη διάρκεια ζωής τους. Για να χρησιμοποιήσετε αυτήν την υπηρεσία, επιστρέψτε το προϊόν σας σε οποιοδήποτε εξουσιοδοτημένο κέντρο επισκευών, όπου θα το παραλάβουν εκ μέρους μας.

Ενημερωθείτε για το πλησιέστερο εξουσιοδοτημένο κέντρο επισκευών της περιοχής σας, επικοινωνώντας με τα γραφεία της Black & Decker στη διεύθυνση που αναγράφεται στο εγχειρίδιο. Επίσης, για να πληροφορηθείτε για τα εξουσιοδοτημένα κέντρα επισκευών της Black & Decker και τους αρμόδιους των υπηρεσιών που παρέχονται μετά την πώληση, μπορείτε να ανατρέξετε στο Διαδίκτυο, στη διεύθυνση: www.2helpU.com.

Μπαταρία (εικ. Κ)



Εάν θέλετε να απορρίψετε μόνοι σας την μπαταρία, η μπαταρία θα πρέπει να αφαιρεθεί όπως περιγράφεται παρακάτω και να απορριφθεί σύμφωνα με τους κανονισμούς που ισχύουν στην περιοχή σας.

- ◆ Να αποφορτίζετε κατά προτίμηση την μπαταρία λειτουργώντας τη συσκευή μέχρι να σταματήσει το μοτέρ.
- ◆ Πιέστε το κουμπί αποδέσμευσης (2) και αφαιρέστε το συλλέκτη σκόνης (1).
- ◆ Αφαιρέστε τις επτά βίδες που συγκρατούν το σώμα της συσκευής.

- ◆ Τραβήξτε το κάλυμμα κατά το ήμισυ από τη θέση του.
- ◆ Για τους αριθμούς καταλόγου WD60XXY & WD72XXY,
 - ανασηκώστε ολόκληρη τη συναρμογή μοτέρ/ανεμιστήρα/ μπαταρίας.
- ◆ Αποσυνδέστε τη συναρμογή της μπαταρίας από την κύρια συναρμογή.
- ◆ Τοποθετήστε την μπαταρία σε κατάλληλη συσκευασία, ώστε να είναι αδύνατο το βραχυκύκλωμα των πόλων.
- ◆ Παραδώστε την μπαταρία στον αντιπρόσωπο επισκευών σας ή σε ένα σταθμό ανακύκλωσης της περιοχής σας.

Αφού αφαιρεθεί, η μπαταρία δεν μπορεί να επαναποθετηθεί.

Τεχνικά χαρακτηριστικά

	WD60XXY H2	WD72XXY H2
Τάση	Vdc 6,0	7,2
Τύπος μπατα-ρίας	NiCd/NiMH	NiCd/NiMH
Βάρος	kg 1,0	1,1

Φορτιστής	*A100015D	*A110020D
Μοντέλα	WD60XXY	WD72XXY
Τάση εισόδου	Vac 230	230
Τάση εξόδου	Vac 10	11
Ρεύμα εξόδου	mA 150	200
Χρόνος φόρτισης κατά προσέγγιση	h 24	24
Βάρος	kg 0,3	0,3

Στάθμη ηχητικής πίεσης, μετρημένης σύμφωνα με το πρότυπο EN 60704-1: <70 dB(A)

Εγγύηση

Η Black & Decker είναι σίγουρη για την ποιότητα των προϊόντων της και παρέχει σημαντική εγγύηση. Η παρούσα γραπτή εγγύηση αποτελεί πρόσθετο δικαίωμά σας και δεν ζημιώνει τα νόμιμα δικαιώματά σας. Η εγγύηση ισχύει εντός της επικράτειας των Κρατών Μελών της Ευρωπαϊκής Ένωσης και της Ευρωπαϊκής Ζώνης Ελευθέρων Συναλλαγών.

Σε περίπτωση που κάποιο προϊόν της Black & Decker παρουσιάσει βλάβη εξαιτίας ελαττωματικών υλικών, ποιότητας εργασίας ή έλλειψης συμφωνίας με τις προδιαγραφές εντός 24 μηνών από την ημερομηνία αγοράς, η Black & Decker εγγυάται την αντικατάσταση των ελαττωματικών τμημάτων, την επισκευή προϊόντων που έχουν υποστεί εύλογη φθορά λόγω χρήσης ή την αντικατάσταση των προϊόντων προκειμένου να εξασφαλίσει την ελάχιστη ενόχληση στους πελάτες της, εκτός εάν:

- ◆ Το προϊόν έχει χρησιμοποιηθεί σε εργασιακό, επαγγελματικό περιβάλλον ή αν έχει ενοικιαστεί.
- ◆ Έχει γίνει εσφαλμένη χρήση του προϊόντος ή έχει παραμεληθεί.
- ◆ Το προϊόν έχει υποστεί βλάβη από άλλα αντικείμενα, από ουσίες ή λόγω ατυχήματος.

- ◆ Έχει γίνει προσπάθεια επισκευής από μη εξουσιοδοτημένα κέντρα επισκευών ή από προσωπικό που δεν ανήκει στο προσωπικό της Black & Decker.

Για να ισχύσει η εγγύηση, πρέπει να υποβάλετε απόδειξη αγοράς στον πωλητή ή το εξουσιοδοτημένο κέντρο επισκευών. Ενημερωθείτε για το πλησιέστερο εξουσιοδοτημένο κέντρο επισκευών της περιοχής σας, επικοινωνώντας με τα γραφεία της Black & Decker στη διεύθυνση που αναγράφεται στο εγχειρίδιο. Επίσης, για να πληροφορηθείτε για τα εξουσιοδοτημένα κέντρα επισκευών της Black & Decker και τους αρμόδιους των υπηρεσιών που παρέχονται μετά την πώληση, μπορείτε να ανατρέξετε στο Διαδίκτυο, στη διεύθυνση:

www.2helpU.com

Παρακαλούμε επισκεφθείτε την ιστοσελίδα μας

www.blackanddecker.eu για να καταχωρήσετε το νέο σας προϊόν Black & Decker και για να ενημερώνεστε για τα νέα προϊόντα και τις ειδικές προσφορές. Περισσότερες πληροφορίες σχετικά με τη μάρκα Black & Decker και τη σειρά των προϊόντων μας θα βρείτε στη διεύθυνση **www.blackanddecker.eu**.

Kullanım amacı

Black & Decker Dustbuster® markalı elektrikli el süpürge vakumlu ıslak ya da kuru temizleme işlerinin kolayca yapılması için tasarlanmıştır. Bu cihaz yalnızca ev temizliğinde kullanılır.

Tasarım ve Patent Bilgileri

Avrupa Topluluğu Tasarım Tescil Numaraları:

- ◆ 607643-0001
- ◆ 607668-0001
- ◆ 607650-0001

Güvenlik talimatları

Uyarı! Pille çalışan cihazlar kullanılırken yangın tehlikesini, pillerin akmasını, fiziksel yaralanmaları ve maddi zararları azaltmak için aşağıda belirtilen talimatların yanı sıra temel güvenlik önlemlerine de her zaman uyulmalıdır.

- ◆ Cihazı kullanmadan önce bu elkitabını baştan sona dikkatle okuyun.
- ◆ Cihazın kullanım amacı bu elkitabında açıklanmıştır. Cihazın çeşitli talimatları içeren bu elkitabında önerilenlerden başka yardımcı veya ek parçalarla birlikte kullanılması ya da farklı amaçlarla çalıştırılması fiziksel yaralanmaya yol açabilir.
- ◆ İleride başvurmak üzere bu elkitabını saklayın.

Cihazınızın kullanılması

- ◆ Cihazı, sıvıları veya herhangi bir yanıcı maddeyi çekmek için kullanmayın.
- ◆ Bu ürün yalnızca küçük miktardaki döküntülerin temizlenmesi için tasarlanmıştır. Aşırı şekilde dolmasını önlemek için düzenli olarak boşaltılmalıdır.
- ◆ Cihazı suya batırmayın.
- ◆ Şarj cihazını prizden çıkarırken asla kablосundan tutarak çekmeyin. Şarj cihazı kablosunu ısıdan, yağdan ve keskin kenarlı cisimlerden uzak tutun.

- ◆ Erişkin olmayanlar veya fiziksel, duyuşal ya da zihinsel kapasiteleri kısıtlı olan kişiler bu cihazı tek başlarına kullanmamalıdır. Çocuklar gözetim altında tutulmalı, böylece cihazla oynamamaları sağlanmalıdır.

Kullanım sonrası

- ◆ Şarj cihazını veya şarj ana ünitesini temizlemeden önce şarj cihazını prizden çekin.
- ◆ Cihaz, kullanılmadığı zaman kuru bir yerde saklanmalıdır.
- ◆ Cihazlar çocukların ulaşamayacağı yerlere kaldırılmalıdır.

İnceleme ve onarımlar

- ◆ Kullanmadan önce cihazı kontrol ederek hasarlı ya da arızalı parça olup olmadığına bakın. Parçalarda kırılma, düğmelerde hasar ve cihazın çalışmasını etkileyebilecek başka durumlar olup olmadığını kontrol edin.
- ◆ Hasarlı veya arızalı parça varsa, cihazı kullanmayın.
- ◆ Hasarlı veya arızalı parçaların onarım ya da değiştirme işlemlerini yetkili serviste yaptırın.
- ◆ Şarj cihazı kablosunun hasar görüp görmediğini düzenli aralıklarla kontrol edin. Kablo hasar görmüşse veya arızalıysa, şarj cihazını değiştirin.
- ◆ Bu elkitabında belirtilenler dışında, hiçbir parçayı yerinden çıkarmayın ya da değiştirmeyin.

Diğer kişilerin güvenliği

- ◆ Bu cihaz, güvenliklerinden sorumlu bir kişi tarafından gerekli denetim ve yönlendirme uygulanmadıkça, (çocuklar dahil) fiziksel, duyuşal ya da zihinsel kapasiteleri kısıtlı olan veya yeterli deneyim ve bilgiye sahip olmayan kişilerce kullanılmamalıdır.
- ◆ Çocuklar gözetim altında tutulmalı, böylece cihazla oynamamaları sağlanmalıdır.

Piller ve şarj cihazları ile ilgili ek güvenlik talimatları

Piller

- ◆ Hangi nedenle olursa olsun pillerin içini açma girişiminde bulunmayın.
- ◆ Pili su ile temas ettirmeyin.
- ◆ Pili ısıya maruz bırakmayın.
- ◆ Sıcaklığın 40°C'yi geçebileceği ortamlarda saklamayın.
- ◆ Yalnızca 10 °C ile 40 °C arasındaki ortam sıcaklıklarında şarj edin.
- ◆ Yalnızca cihazla/araçla birlikte sağlanan şarj cihazlarını kullanın. Yanlış şarj cihazının kullanımı, elektrik çarpmasına veya pilin aşırı ısınmasına yol açabilir.
- ◆ Pilleri atarken "Çevrenin korunması" başlıklı bölümde verilen talimatları uygulayın.
- ◆ Yaralanma ve yangın riski oluşturabileceğinden, pil takımına delerek veya darbe ile zarar vermeyin ya da pil takımını bu şekilde deforme etmeyin.
- ◆ Hasarlı pilleri şarj etmeyin.
- ◆ Aşırı derecede zorlayıcı koşullarda pillerde akma olabilir. Pillerin üzerinde sıvı olduğunu fark ederseniz bu sıvıyı bir bez yardımıyla dikkatli bir biçimde silin. Ciltle temas ettirmekten kaçının.
- ◆ Sıvının cildinize veya gözünüze temas etmesi durumunda aşağıdaki talimatları uygulayın.

Uyarı! Pilden akan sıvı, fiziksel yaralanmalara veya maddi zarara neden olabilir. Cildinizle teması durumunda cildinizi hemen bol suyla durulayın. Kızarıklık veya tahriş meydana gelirse ya da acı duyarsanız tıbbi yardım alın. Sıvının gözle temas etmesi durumunda gözünüzü hemen temiz suyla yıkayın ve vakit kaybetmeden tıbbi yardım alın.

Şarj cihazları

Şarj cihazınız belirli bir voltajda kullanılmak üzere tasarlanmıştır. Şebeke voltajının, cihazın teknik özelliklerinin bulunduğu etikette belirtilen voltaj değerine uyup uymadığını her zaman kontrol edin.

Uyarı! Asla şarj cihazı ünitesini normal bir şebeke fişiyle değiştirme girişiminde bulunmayın.

- ◆ Black & Decker şarj cihazınızı yalnızca cihazla/araçla birlikte sağlanan pili şarj etmek için kullanın. Başka piller patlayarak fiziksel yaralanmalara ve hasara neden olabilir.
- ◆ Tek kullanımlık pilleri şarj etmeye çalışmayın.
- ◆ Besleme kablosu zarar görürse, tehlikeli bir durum oluşmasını önlemek için üretici veya yetkili bir Black & Decker Servis Merkezi tarafından değiştirilmesi gerekir.
- ◆ Şarj cihazını su ile temas ettirmeyin.
- ◆ Şarj cihazının içini açmayın.
- ◆ Şarj cihazını kurcalamayın.
- ◆ Cihaz/araç/pil, havadar bir yerde şarj edilmelidir.

Elektrik güvenliği

Şarj cihazınız belirli bir voltajda kullanılmak üzere tasarlanmıştır. Şebeke voltajının, cihazın teknik özelliklerinin bulunduğu etikette belirtilen voltaj değerine uyup uymadığını her zaman kontrol edin. Asla şarj cihazı ünitesini normal bir şebeke fişiyle değiştirme girişiminde bulunmayın.

Şarj cihazı üzerindeki semboller

Bu elkitabını baştan sona dikkatle okuyun.



Şarj cihazınız çift yalıtım ile donatılmıştır, bu nedenle topraklama kablosuna gerek yoktur.



Arıza emniyetli izolasyon transformatörü. Şebeke kaynağı, transformatör çıkışından elektriksel olarak ayrılmıştır.



Ortam sıcaklığı aşırı derecede yükselirse, şarj cihazı otomatik olarak kapanır. Sonuç olarak, şarj cihazı çalışamaz hale gelir. Şarj ana ünitesinin şebeke kaynağı ile olan bağlantısı kesilmeli ve ünite, onarım için yetkili bir servis merkezine götürülmelidir.



Şarj ana ünitesi yalnızca ev içi kullanım içindir.

Özellikler

1. Toz toplayıcı
2. Serbest bırakma düğmesi
3. Açma/Kapatma düğmesi
4. Şarj göstergesi
5. Şarj ana ünitesi

Şek. A

6. Dar alan başlığı
7. Sıvı emme aksesuarı

Ürününüzün tanımlanması

Model tasarımı, katalog numarasında kullanılan sonek kodlarından belirlenebilir. Bu elkitabında aşağıdaki katalog numaraları açıklanmaktadır:

- ◆ WD60XXY/WD72XXY.

XX sonek kodu aşağıdaki tasarımlara karşılık gelir:

- ◆ 15: Küçük bir dar alan başlığı ve sıvı emme düzeneği ile birlikte sağlanan tüm birimler.

Y sonek kodu, renk/cila seçenekleri aralığını tanımlamak için kullanılır.

N harfiyle gösterilen Y sonek kodu, NiMH pili içeren modeller için kullanılır.

Kurulum**Şarj ana ünitesinin duvara takılması**

Şarj ana ünitesi, cihaz için kullanışlı bir saklama yeri ve şarj noktası oluşturmak üzere bir tezgah üzerine koyulabilir veya duvara takılabilir.

Uyarı! Cihazınızdan su damlayabileceği için, şarj cihazınızı bir elektrik çıkışı ya da diğer elektrik cihazlarının üzerine monte etmeyin.

Üniteyi duvara takarken, kullandığınız yöntemin duvar tipine ve cihazın ağırlığına uygun olduğundan emin olun.

Cihazın kurulması**Aksesuarların takılması (şek. A ve B)**

Bu modeller aşağıdaki aksesuarların bazıları veya tümü ile birlikte sağlanır:

- ◆ Sıkışık alanlar için bir dar alan başlığı (6).
- ◆ Dökülen sıvılar için bir sıvı emme düzeneği (7).

Bir aksesuarı takmak için, aşağıdaki talimatları uygulayın:

- ◆ Aksesuarı cihazın üzerindeki saklama konumundan veya şarj ana ünitesinden (5) çıkarın (şek. I ve J).
- ◆ Aksesuarı cihazın ön kısmına takın.

Kalıntı riskleri

Araç kullanılırken, araçla birlikte gönderilen güvenlik uyarılarında yer almayan ek kalıntı riskleri ortaya çıkabilir. Bu riskler yanlış kullanım, uzun süreli kullanım, vb. nedenlerden kaynaklanabilir.

İlgili güvenlik düzenlemelerine uyulması ve güvenlik cihazlarının uygulanması durumunda dahi, bazı kalıntı riskleri önlenemeyebilir. Bu riskler arasında aşağıdakiler bulunur:

- ◆ Dönen/hareket eden parçalara dokunulmasından kaynaklanan yaralanmalar.
- ◆ Parça, bıçak veya aksesuar değiştirilirken ortaya çıkan yaralanmalar.
- ◆ Bir aracın uzun süre kullanılmasından kaynaklanan yaralanmalar. Herhangi bir aracı uzun süre kullanıyorsanız, düzenli olarak kullanıma ara vermeyi unutmayın.
- ◆ İşıtmeye güçlüğü.
- ◆ Aracınızı kullanırken ortaya çıkan tozu solumanızdan kaynaklanan sağlık tehlikeleri (örneğin, tahta, özellikle de meşe, kayın ve MDF ürünleri ile çalışırken).

Kullanım

- ◆ İlk kullanımdan önce pilin en az 24 saat şarj edilmesi gerekmektedir.
- ◆ Kullanılmadığı zamanlarda, cihazı şarj ana ünitesi üzerine yerleştirin.

Pilin şarj edilmesi (şek. C)

Pili şarj etmeden önce:

- ◆ Cihazın kapalı olduğundan emin olun. Açma/kapatma düğmesi (3) açık konumundayken pil şarj olmayacaktır.
- ◆ Cihazı burada gösterildiği şekilde şarj ana ünitesine (5) yerleştirin.
- ◆ Şarj cihazını prize takın. Şebeke elektriği ile çalıştırın.

Şarj göstergesi (4) yanacaktır.

- ◆ Cihazı en az 24 saat boyunca şarj edin.

Şarj sırasında şarj cihazı ısınabilir. Bu normal bir durumdur ve bir sorun olduğuna işaret etmez. Cihaz süresiz olarak şarj cihazına bağlı şekilde bırakılabilir. Cihaz, prize takılı olan şarj cihazına bağlı olduğu sürece şarj göstergesi (4) yanacaktır.

Uyarı! Ortam sıcaklığı 10°C'den düşük veya 40°C'den yüksekse pili şarj etmeyin.

Cihazın açılması ve kapatılması (şek. D)

- ◆ Cihazı çalıştırmak için, açma/kapatma düğmesini (3) ileriye kaydırın.
- ◆ Cihazı kapatmak için, açma/kapatma düğmesini (3) geriye kaydırın.

Sıvı emme özelliği (şek. A)

Uyarı! Ürününüz, yalnızca küçük miktardaki döküntülerin temizlenmesi için tasarlanmıştır, lütfen XXX miktarından fazla su çekmeyin.

Emici olmayan yüzeylerde sıvı emme aksesuarını (7) kullanın.

- ◆ Bu aksesuarı kullanırken en iyi sonucu elde etmek için, cihazı 45° açıyla tutun ve kendinize doğru yavaşça çekin.
- ◆ Halı gibi emici yüzeylerde cihazınız, aksesuar olmadan ıslak döküntüleri daha iyi çekecektir.

Temizlik ve bakım

Uyarı! Filtre ve yön değiştiricileri (8 ve 9) düzenli aralıklarla temizleyin.

Toz toplayıcının ve filtrelerin temizlenmesi (şek. E - H)

Emiş gücünü en iyi durumda tutmak için, filtrelerin kullanım sırasında düzenli aralıklarla temizlenmesi gerekir.

Filtre yeniden kullanılabilir ve düzenli aralıklarla temizlenmelidir.

- ◆ Serbest bırakma düğmesine (2) basın ve toz toplayıcıyı (1) çıkarın.
- ◆ Filtreyi ve yön değiştiriciyi (8 ve 9) toz toplayıcıdan (1) çıkarın (şek. F). Yön değiştiricinin (8) en alt kısmında bu parçayı toz toplayıcıdan (1) çıkarmanıza yardımcı olan küçük bir ağız (10) vardır.
- ◆ Filtre ve yön değiştiricinin (8 ve 9) üzerindeki tozları fırçayla temizleyin.
- ◆ Toz toplayıcıyı (1) boşaltın (şek. G).
- ◆ Filtreyi ve yön değiştiriciyi (8 ve 9) ılık, sabunlu su ile yıkayın (şek. H). Gerekirse toz toplayıcı da (1) yıkanabilir.

Uyarı! Cihazı suya batırmayın.

- ◆ Toz toplayıcının (1), filtrenin ve yön değiştiricinin (8 ve 9) kuru olduğundan emin olun.
- ◆ Filtreyi ve yön değiştiriciyi (8 ve 9) yeniden toz toplayıcıya (1) takın. Klik sesiyle yerine oturduğundan emin olun.
- ◆ Toz toplayıcıyı (1) cihaza yeniden takın. Toz toplayıcının klik sesiyle yerine oturduğundan emin olun.

Uyarı! Cihazı asla filtre olmadan kullanmayın. En iyi toz toplama performansını ancak temiz filtreler ile elde edebilirsiniz.

Filtrelerin değiştirilmesi

Filtre, her 6 ila 9 ayda bir değiştirilmenin yanı sıra, yıprandığında veya hasar gördüğünde de değiştirilmelidir. Yedek filtreyi (8) Black & Decker bayinizden temin edebilirsiniz (kat. no. WVF70):

- ◆ Eski filtreyi yukarıda açıklandığı gibi çıkarın.
- ◆ Yeni filtreyi yukarıda açıklandığı gibi takın.

Aksesuarların saklanması (şek. I ve J)

- ◆ Aksesuarları klik sesiyle yerlerine oturana kadar kendi yuvalarının içine doğru bastırın.

Çevrenin korunması



Ayrı toplanması gerekir. Bu ürün, normal ev çöpleriyle birlikte atılmamalıdır.

İleride Black & Decker ürününü değiştirmeye ya da cihazınızın artık kullanılmaz duruma geldiğine karar vererseniz, bu ürünü ev atıklarıyla birlikte atmayın. Bu ürünün ayrıca toplanmasını sağlayın.



Kullanılmış ürün ve ambalajların ayrı ayrı toplanması, bu maddelerin geri dönüştürülerek yeniden kullanılmasına olanak tanır. Geri dönüştürülmüş maddelerin yeniden kullanılması çevre kirliliğinin önlenmesine yardımcı olur ve hammadde talebini azaltır.

Belediyeler, elektrikli ev aletlerinin, yasal düzenlemelerle kendi gösterecekleri atık alanlarında ya da yeni bir ürün alındığında satıcı aracılığıyla ev çöplerinden ayrı toplanmasını sağlayabilir.

Black & Decker, sattığı ürünler kullanım ömürlerini tamamladığında, bu ürünlerin toplanıp geri dönüştürülmesine yönelik bir hizmet sunmaktadır. Bu hizmetten yararlanmak için, ürününüzü bir yetkili servise götürebilirsiniz. Yetkili servisler bu ürünleri bizim adımıza kabul etmektedir.

Bu elkitabında adresi bulunan yerel Black & Decker bürosuyla bağlantı kurarak size en yakın yetkili servisin yerini öğrenebilirsiniz. Ayrıca, yetkili Black & Decker servislerinin listesini, satış sonrası hizmetlerine ilişkin tüm ayrıntıları ve bağlantı bilgilerini www.2helpU.com adresindeki İnternet sitesinden edinebilirsiniz.

Pil (şek. K)



Ürünü kendiniz atmak istiyorsanız, pil aşağıda anlatıldığı gibi çıkarılmalı ve yerel düzenlemelere uygun şekilde atılmalıdır.

- ◆ Cihazı motoru durana kadar çalıştırarak pilin boşalmasını sağlamanız önerilir.
- ◆ Serbest bırakma düğmesine (2) basın ve toz toplayıcıyı (1) çıkarın.
- ◆ Cihazın gövdesini bir arada tutan yedi vidayı çıkarın.
- ◆ Kapak yarısını gövde yarısından ayırın.
- ◆ WD60XXY ve WD72XXY katalog numaraları için,
 - tüm motor/fan/pil düzeneğini çıkarın.
- ◆ Pil düzeneğini ana gövdeden çıkarın.
- ◆ Pili, uçları birbiriyle kısa devre yapmayacak biçimde uygun bir ambalaja koyun.

- ◆ Pili servisimize veya bir yerel geri dönüşüm birimine ulaştırın.

Pil bir kere çıkarıldıktan sonra yeniden yerine takılamaz.

Teknik bilgiler

	WD60XXY H2	WD72XXY H2
Voltaaj	Vda 6.0	7.2
Pil tipi	NiCd/NiMH	NiCd/NiMH
Ağırlık	kg 1.0	1.1

Şarj cihazı	*A100015D	*A110020D
Model	WD60XXY	WD72XXY
Giriş voltaajı	Vaa 230	230
Çıkış voltaajı	Vaa 10	11
Çıkış akımı	mA 150	200
Yaklaşık şarj süresi	s 24	24
Ağırlık	kg 0.3	0.3

Ses basıncı düzeyi EN60704-1 direktifine uygun olarak ölçülmüştür: <= 70 dB(A)

Garanti

Black & Decker kalitesine güvendiği ürünleri için seçkin bir garanti sunmaktadır. Bu garanti bildirim yasal haklarınıza hiçbir şekilde zarar vermemekte, aksine katkı sağlamaktadır. Bu garanti Avrupa Birliği'ne Üye Ülkelerde ve Avrupa Serbest Ticaret Bölgesi'nde geçerlidir.

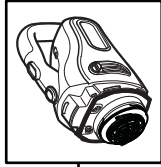
Bir Black & Decker ürünü, satın alma tarihinden itibaren 24 ay içinde hatalı malzeme, işçilik ya da standartlara uygun olmama nedeniyle bozulursa, Black & Decker arızalı parçaların değiştirilmesi, makul ölçüde aşınmış ve yıpranmış ürünlerin onarılması ya da bu ürünlerin müşteri için sağlanabilecek en uygun koşullarda değiştirilmesi garantisini vermektedir. Aşağıda belirtilen koşullar garanti kapsamında değildir:

- ◆ Ürün ticari veya mesleki amaçlarla ya da kiralama amacıyla kullanılmışsa.
- ◆ Ürün yanlış ya da dikkatsiz kullanılmışsa.
- ◆ Yabancı cisimlerle, maddelerle ya da kazayla ürüne zarar verilmişse.
- ◆ Yetkili servis ya da Black & Decker servis elemanları dışındaki kişilerce onarılmaya çalışılmışsa.

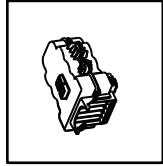
Garanti kapsamında talepte bulunmak için satıcıya ya da yetkili servise faturanızı göstermeniz gerekmektedir. Bu elkitabında adresi bulunan yerel Black & Decker bürosuyla bağlantı kurarak size en yakın yetkili servisin yerini öğrenebilirsiniz. Ayrıca, yetkili Black & Decker servislerinin listesini, satış sonrası hizmetlerine ilişkin tüm ayrıntıları ve bağlantı bilgilerini www.2helpU.com adresindeki İnternet sitesinden edinebilirsiniz.

Satın aldığınız Black & Decker ürünü kaydettirmek, ayrıca yeni ürünlerden ve özel fırsatlardan haberdar edilmek için lütfen www.blackanddecker.eu adresindeki Web sitemizi ziyaret ediniz. Black & Decker markasına ve ürün çeşitlerimize ilişkin daha ayrıntılı bilgiyi www.blackanddecker.eu adresinden edinebilirsiniz.

Partial support - Only parts shown available
Nur die aufgeführten Teile sind lieferbar
Reparation partielle - Seules les piéces indiquées sont disponibles
Supporto parziale - Sono disponibili soltanto le parti evidenziate
Solo estan disponibles las pezas listadas
So se encontram disponibles as peças listadas
Gedeeltelijke ondersteuning - alleen de getoonde onderdelen zijn beschikbaar



1



3



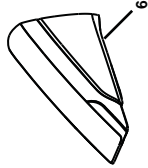
5



4



16



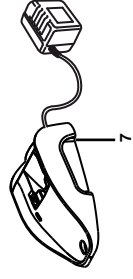
6



22



23



7

ENGLISH

Do not forget to register your product!
www.blackanddecker.co.uk/productregistration

Register your product online at www.blackanddecker.co.uk/productregistration or send your name, surname and product code to Black & Decker in your country.

DEUTSCH

Vergessen Sie nicht, Ihr Produkt registrieren zu lassen!
www.blackanddecker.de/productregistration

Lassen Sie Ihr Produkt unter www.blackanddecker.de/productregistration online registrieren oder schicken Sie Ihren Nachnamen, Vornamen und den Produktcode an Black & Decker in Ihrem Land.

FRANÇAIS

N'oubliez pas d'enregistrer votre produit !
www.blackanddecker.fr/productregistration

Enregistrez votre produit en ligne sur www.blackanddecker.fr/productregistration ou envoyez vos nom, prénom et code produit à Black & Decker dans votre pays.

ITALIANO

Non dimenticate di registrare il prodotto!
www.blackanddecker.it/productregistration

Registrate il prodotto online su www.blackanddecker.it/productregistration o inviate nome, cognome e codice del prodotto al centro Black & Decker del vostro paese.

NEDERLANDS

Vergeet niet uw product te registreren!
www.blackanddecker.nl/productregistration

U kunt uw product online registreren op www.blackanddecker.nl/productregistration of u kunt uw voornaam, achternaam en productcode opsturen naar Black & Decker in uw land.

ESPAÑOL

¡No olvide registrar su producto!
www.blackanddecker.es/productregistration

Registre su producto on-line en www.blackanddecker.es/productregistration o envíe su nombre, apellidos y código de producto a Black & Decker en su país.

PORTUGUÊS

Não se esqueça de registar o seu produto!
www.blackanddecker.pt/productregistration

Registe o seu produto online em www.blackanddecker.pt/productregistration ou envie o seu nome, apelido e código do produto para a Black & Decker no seu país.

SVENSKA

Glöm inte att registrera produkten!
www.blackanddecker.se/productregistration

Registrera produkten online på www.blackanddecker.se/productregistration eller skicka namn och produktkod till Black & Decker i landet du bor i.

NORSK

Ikke glem å registrere produktet ditt!
www.blackanddecker.no/productregistration

Registrer produktet ditt online på www.blackanddecker.no/productregistration, eller send ditt navn, etternavn og produktkode til Black & Decker i ditt eget land.

DANSK

Glem ikke at registrere dit produkt!
www.blackanddecker.dk/productregistration

Registrer dit produkt på internettet på: www.blackanddecker.dk/productregistration eller send dit navn, efternavn og produktkode til Black & Decker i dit eget land.

SUOMI

Muistathan rekisteröidä tuotteesi!
www.blackanddecker.fi/productregistration

Rekisteröi tuotteesi verkossa osoitteessa www.blackanddecker.fi/productregistration tai lähetä etunimesi, sukunimesi ja tuotekoodi oman maasi Black & Decker -edustajalle.

ΕΛΛΗΝΙΚΑ

Μην ξεχάσετε να καταχωρίσετε το προϊόν σας!
www.blackanddecker.gr/productregistration

Καταχωρίστε το προϊόν σας σε σύνδεση στη σελίδα www.blackanddecker.gr/productregistration ή στείλετε το όνομα, επίθετο σας και τον κωδικό προιοντός στη Black & Decker στη χώρα σας.

Australia	Black & Decker (Australia) Pty. Ltd. 20 Fletcher Road, Mooroolbark, Victoria, 3138	Tel. 03-8720 5100 Fax 03-9727 5940
België/Belgique	Black & Decker (Belgium) N.V. Nieuwlandlaan 321 3200 Aarschot	Tel. 016 68 91 00 Fax 016 68 91 11
Danmark	Black & Decker Sluseholmen 2-4, 2450 København SV Internet: www.blackanddecker.dk	Tel. 70 20 15 10 Fax 70 22 49 10
Deutschland	Black & Decker GmbH Black & Decker Str. 40, D - 65510 Idstein	Tel. 06126/21 - 0 Fax 06126/21 29 80
Ελλάδα	Black & Decker (Ελλάς) A.E Στράβωνος 7 & Λεωφ. Βουλιαγμένης 159 166 74 Γλυφάδα - Αθήνα	Τηλ. 210 8981616 Φαξ 210 8983285 www.blackanddecker.gr
España	Black & Decker Ibérica, S.C.A. Parc de Negocis "Mas Blau" Edificio Muntadas, c/Bergadá, 1, Of. A6 08820 El Prat de Llobregat (Barcelona)	Tel. 934 797 400 Fax 934 797 419
France	Black & Decker (France) S.A.S. B.P. 21, 69571 Dardilly Cédex	Tel. 04 72 20 39 20 Fax 04 72 20 39 00
Helvetia	ROFO AG Gewerbezone Seeblick 3213 Kleinbödingen	Tel. 026-6749391 Fax 026-6749394
Italia	Black & Decker Italia SpA Viale Elvezia 2 20052 Monza (MI)	Tel. 039-23871 Fax 039-2387592/2387594 Numero verde 800-213935
Nederland	Black & Decker Benelux Joulehof 12, 4622 RG Bergen op Zoom	Tel. 0164 - 283000 Fax 0164 - 283100
New Zealand	Black & Decker 81 Hugo Johnston Drive Penrose, Auckland, New Zealand	Tel. 09 579 7600 Fax 09 579 8200
Norge	Black & Decker (Norge) A/S Postboks 4814, Nydalen, 0422 Oslo Internet: www.blackanddecker.no	Tif. 22 90 99 00 Fax 22 90 99 01
Österreich	Black & Decker Vertriebsges.m.b.H Oberlaaerstraße 246, A1100 Wien	Tel. 01 66116-0 Fax 01 66116-14
Portugal	Black & Decker Rua Egas Moniz 173 S. João do Estoril 2766-651 Estoril	Tel. 214667500 Fax 214667580
Suomi	Black & Decker Oy Keilasatama 3, 02150 Espoo Black & Decker Oy, Kägelhamnen 3, 02150 Esbo	Puh. 010 400 430 Faksi (09) 2510 7100 Tel. 010 400 430 Fax (09) 2510 7100
Sverige	Black & Decker AB Fabriksg. 7, 412 50 Göteborg	Tel. 031-68 60 60 Fax 031-68 60 80
Türkiye	İntratek Mühendislik ve Dış Tic. A.Ş. Atatürk Mah. Girne Cad. No. 45 34750 Küçükbakkalköy Kadıköy İstanbul	Tel. 0216 456 60 60 Faks 0216 456 60 84
United Kingdom	Black & Decker 210 Bath Road Slough, Berkshire SL1 3YD	Tel. 01753 511234 Fax 01753 551155 Helpline 01753 574277
Middle East & Africa	Black & Decker (Overseas) A.G. PB 5420, Dubai, United Arab Emirates	Tel. +971 4 2826464 Fax +971 4 2826466