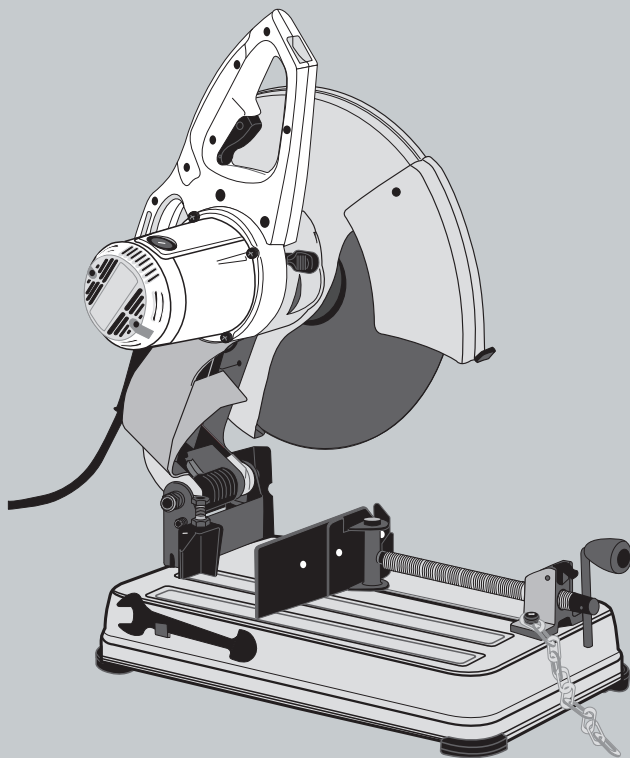
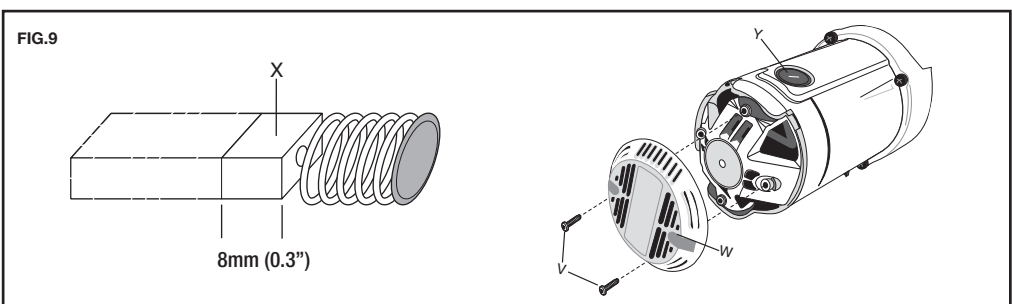
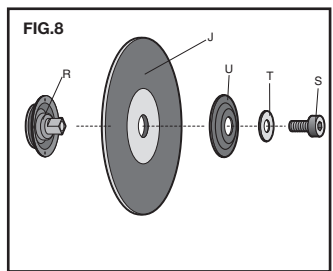
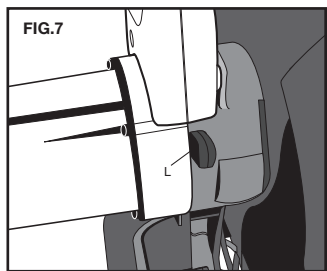
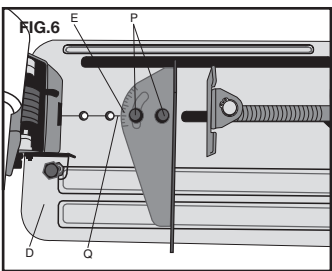
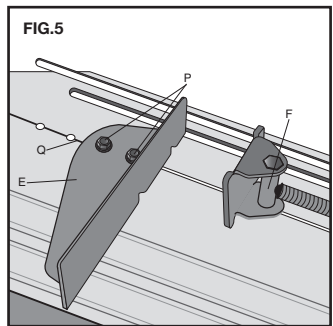
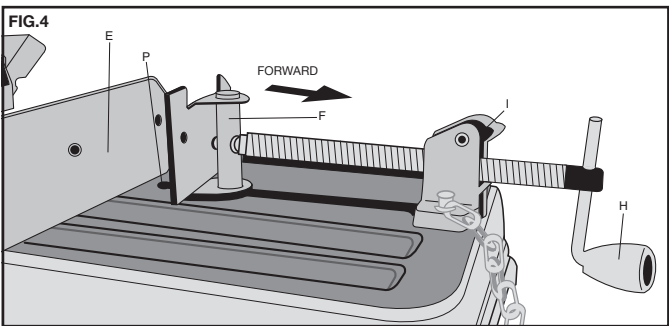
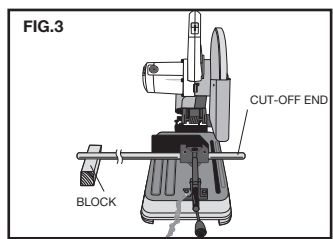
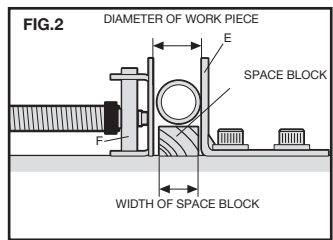
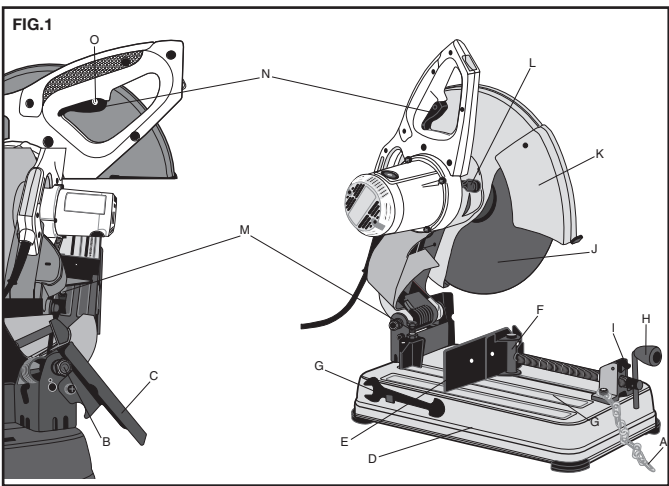


# PORTER CABLE®



**PCM355**



# PCM355 2300W Chop Saw

## TECHNICAL DATA


SPECIFICATION	PCM355-XE	
POWER	W	2300
VOLTAGE	V	230
FREQUENCY	Hz	50
NO-LOAD SPEED	/min	3800
MAX. DIAMETER	mm	355
WEIGHT	kg	17.5

## INTENDED USE

Your Porter-Cable chop saw has been designed for metal cutting only. This tool is intended for consumer use only.

## SAFETY INSTRUCTIONS

General power tool safety warnings

 **Warning!** Read all safety warnings and all instructions. Failure to follow all instructions may result in electric shock, fire and/or serious injury.

### Save all warnings and instructions for future reference.

The term "power tool" in all of the warnings listed below refers to your mains operated (corded) power tool or battery operated (cordless) power tool.

#### 1. Work area safety

- Keep work area clean and well lit.** Cluttered or dark areas invite accidents.
- Do not operate power tools in explosive atmospheres. Such as in the presence of flammable liquids, gases or dust.** Power tools create sparks which may ignite the dust or fumes.
- Keep children and bystanders away while operating a power tool.** Distractions can cause you to lose control.

#### 2. Electrical safety

- Power tool plugs must match the outlet. Never modify the plug in any way.** Do not use any adapter plugs with earthed (grounded) power tools. Unmodified plugs and matching outlets will reduce risk of electric shock.
- Avoid body contact with earthed or grounded surfaces such as pipes, radiators, ranges and refrigerators.** There is an increased risk of electric shock if your body is earthed or grounded.
- Do not expose power tools to rain or wet conditions.** Water entering a power tool will increase the risk of electric shock.
- Do not abuse the cord. Never use the cord for carrying, pulling or unplugging the power tool.** Keep cord away from heat, oil, sharp edges or moving parts.

Damaged or entangled cords increase the risk of electric shock.

- When operating a power tool outdoors, use an extension cord suitable for outdoor use.** Use of a cord suitable for outdoor use reduces the risk of electric shock.
- If operating a power tool in a damp location is unavoidable, use a residual current device (RCD) protected supply.** Use of an RCD reduces the risk of electric shock.
- Recommendation for the use of a residual current device with a rated residual current of 30 mA or less.**

#### 3. Personal safety

- Stay alert, watch what you are doing and use common sense when operating a power tool. Do not use a power tool while you are tired or under the influence of drugs, alcohol or medication.** A moment of inattention while operating power tools may result in serious personal injury.
- Use personal protective equipment. Always wear eye protection.** Protective equipment such as dust mask, non-skid safety shoes, hard hat, or hearing protection used for appropriate conditions will reduce personal injuries.
- Prevent unintentional starting. Ensure the switch is in the off-position before connecting to power source and/or battery pack, picking up or carrying the tool.** Carrying power tools with your finger on the switch or energising power tools that have the switch on invites accidents.
- Remove any adjusting key or wrench before turning the power tool on.** A wrench or a key left attached to a rotating part of the power tool may result in personal injury.
- Do not overreach. Keep proper footing and balance at all times.** This enables better control of the power tool in unexpected situations.
- Dress properly. Do not wear loose clothing or jewellery. Keep your hair, clothing and gloves away from moving parts.** Loose clothes, jewellery or long hair can be caught in moving parts.
- If devices are provided for the connection of dust extraction and collection facilities, ensure these are connected and properly used.** Use of these devices can reduce dust related hazards.

#### 4. Power tool use and care

- Do not force the power tool. Use the correct power tool for your application.** The correct power tool will do the job better and safer at the rate for which it was designed.
- Do not use the power tool if the switch does not turn it on and off.** Any power tool that cannot be controlled with the switch is dangerous and must be repaired.
- Disconnect the plug from the power source and/or**

the battery pack from the power tool before making any adjustments, changing accessories, or storing power tools. Such preventive safety measures reduce the risk of starting the power tool accidentally.

- d. **Store idle power tools out of the reach of children and do not allow persons unfamiliar with the power tool or these instructions to operate the power tool.** Power tools are dangerous in the hands of untrained users.
  - e. **Maintain power tools. Check for misalignment or binding of moving parts, breakage of parts and any other condition that may affect the power tools operation. If damaged, have the power tool repaired before use.** Many accidents are caused by poorly maintained power tools.
  - f. **Keep cutting tools sharp and clean.** Properly maintained cutting tools with sharp cutting edges are less likely to bind and are easier to control.
  - g. **Use the power tool, accessories and tool bits etc. in accordance with these instructions, taking into account the working conditions and the work to be performed.** Use of the power tool for operations different from those intended could result in a hazardous situation.
5. **Service**
- a. **Have your power tool serviced by a qualified repair person using only identical replacement parts.** This will make sure that the safety of the power tool is maintained.

## ADDITIONAL SAFETY INSTRUCTIONS FOR AUSTRALIA AND NEW ZEALAND

- a. Young children and the infirm. This appliance is not intended for use by young children or infirm persons without supervision. Young children should be supervised to ensure they do not play with this appliance.
- b. Replacement of the supply cord. If the supply cord is damaged, it must be replaced by the manufacturer or an authorised Porter-Cable Service Centre in order to avoid a hazard.


## ADDITIONAL SAFETY INSTRUCTION FOR CHOPSAWS


- **Always wear proper eye and respiratory protection.**
- **Before using, inspect the cutting wheel for cracks or flaws. If such a crack or flaw is evident, discard the wheel. The wheel should also be inspected whenever you think the tool may have been dropped.** Flaws may cause wheel breakage.
- **When starting the tool with a new or replacement wheel or if you are unsure of the condition**


**of the wheel, hold the tool in a well protected area and let it run for one minute.** If the wheel has an undetected crack or flaw, it should burst in less than one minute. Never start the tool with a person in line with the wheel. This includes the operator.

- **In operation, avoid bouncing the wheel or giving it rough treatment.** If this occurs, stop the tool and inspect the wheel for cracks or flaws.
- Clean your chop saw periodically following the procedure in this manual.
- Do not remove wheel guards or base.
- **ALWAYS USE THE VISE OR SPECIAL FIXTURE TO CLAMP WORK SECURELY.** Other aids such as spring, bar, or C-clamps may be appropriate for certain sizes and shapes of workpiece. Use care in selecting and placing these clamps and make a dry run before making a cut.
- Use only 355mm (14") type 1 wheels rated at 4100 rpm or higher.
- Allow cut off parts to cool before handling.
- Do not attempt to cut wood or plastic with this tool.
- **NEVER CUT MAGNESIUM WITH THIS TOOL.**
- Use chop saw in a well-ventilated area.
- Turn chop saw off before removing any pieces from the base.
- **DO NOT CUT ELECTRICALLY LIVE MATERIAL.**
- **Do not use circular saw blades or any other toothed blades with this tool.** Serious injury may result.
- **DO NOT OPERATE THIS TOOL NEAR FLAMMABLE LIQUIDS, GASES OR DUST.** Sparks or hot chips from cutting or arcing motor brushes may ignite combustible materials.
- Do not use the side of the abrasive wheel as a deburring grinder. This will substantially weaken the wheel creating an unsafe condition. The wheel may come apart.

 **CAUTION: Wear appropriate hearing protection during use.** Under some conditions and duration of use, noise from this product may contribute to hearing loss.

 **CAUTION: Spark deflector will get hot. Avoid touching or adjusting while hot. Keep cordset and materials away from spark deflector.**

 **WARNING: Ensure that ventilation openings are kept clean when working in dusty conditions. Disconnect the machine from the mains supply before conducting maintenance.**

 **WARNING: The wheel continues to rotate after the machine is switched off.**

- **Avoid prolonged contact with dust from power sanding, sawing, grinding, drilling, and other construction activities. Wear protective clothing and wash exposed areas with soap and water.**  
Allowing dust to get into your mouth, eyes, or lay on the skin may promote absorption of harmful chemicals.

**⚠ WARNING: Always use NIOSH/OSHA approved respiratory protection appropriate for the dust exposure. Direct particles away from face and body. For your convenience and safety, the following warnings are on your Heavy-Duty 355mm (14") Chop Saw:**

- FOR SAFE OPERATION READ THE INSTRUCTION MANUAL.**
- **DO NOT USE TOOTHED BLADES.**
  - **USE ONLY REINFORCED WHEELS RATED 4100 RPM OR HIGHER.**
  - **WHEN SERVICING USE ONLY IDENTICAL REPLACEMENT PARTS.**
  - **ALWAYS: WEAR EYE PROTECTION, USE GUARDS, CLAMP WORK IN VISE, USE PROPER RESPIRATORY PROTECTION.**
  - **DO NOT EXPOSE TO RAIN OR USE IN DAMP LOCATIONS.**
  - **ONLY USE CHOP SAW WHEEL OF A MAX. THICKNESS OF 2.8MM AND A MAX. DIAMETER OF 355mm.**

**SYMBOLS**

The label on your tool may include the following symbols:

- .....Read Instruction Manual
- .....Use Ear Protection
- .....Use Eye Protection
- V .....Volts
- A .....Amperes
- Hz .....Hertz
- W .....Watts
- min.....minutes
- ~ .....Alternating current
- .....Direct current
- n<sub>0</sub> .....No load speed
- .....Class II Construction
- .....Earthing terminal
- .....Safety alert symbol
- .../min.....Revolutions or reciprocations per minute

**ELECTRICAL SAFETY**

**⚠ Warning!** If the power cord is damaged, it must be replaced by the manufacturer, authorized Porter-Cable Service Center or an equally qualified person in order to avoid damage or injury. If the power cord is replaced by an equally qualified person, but not authorized by Porter-Cable, the warranty will not be valid.

**FEATURES (fig. 1, 4)**

- A. Lock Chain
- B. Spark Deflector Screw
- C. Spark Deflector
- D. Base
- E. Fence
- F. Vise
- G. Flat Wrench
- H. Crank
- I. Vise Lever
- J. Wheel
- K. Guard
- L. Spindle Lock
- M. Depth Stop Bolt and lock Nut
- N. Trigger Switch
- O. Padlock Hole
- P. Fence Bolts

**POWER SUPPLY**

Be sure your power supply agrees with the nameplate marking. A voltage decrease of more than 10% will cause a loss of power and overheating.

**CUTTING CAPACITY**

The wide vise opening and high pivot point provide cutting capacity for many large pieces. Use the cutting capacity chart to determine total maximum size of cuts that can be made with a new wheel.

**⚠ CAUTION: CERTAIN LARGE, CIRCULAR OR IRREGULARLY SHAPED OBJECTS MAY REQUIRE ADDITIONAL HOLDING MEANS IF THEY CANNOT BE HELD SECURELY IN VISE.**

**⚠ CAUTION: DO NOT CUT MAGNESIUM WITH THIS TOOL.**

**Maximum Cutting Capacity**

**NOTE:** Capacity shown on chart assumes no wheel wear and optimum fence position.

Workpiece Shape:				
90° Cutting Angle	A = 125mm (4-7/8")	A = 115mm (4-1/2")	115mm x 130mm (4-1/2" x 5-1/8") 102mm x 188mm (4" x 7-5/8") 76mm x 229mm (3" x 7-3/8")	A = 115mm x 137mm (4-1/2" x 5-3/8")
45° Cutting Angle	A = 115mm (4-1/2")	A = 98mm (3-13/16")	115mm x 98mm (4-1/2" x 3-13/16") 105mm x 95mm (4-1/8" x 3-3/4")	A = 98mm (3-13/16") 95mm (3-3/4")

## USE

### Standard Equipment

- 1 355mm (14") Metal Cutting Abrasive Wheel
- 1 Wheel Wrench
- 1 Instruction manual

### To Carry (fig. 1)

Fold down unit to position where you can carry the saw. Push in lock chain (A) to lock arm down.

### UnLocking (fig. 1)


To unlock tool and raise head, depress motor arm slightly and pull lock chain (A) out. Motor arm will then pivot upward.

### Spark Deflector Adjustment (fig. 1)

To best deflect sparks away from surrounding persons and materials, loosen the screw (B), adjust the spark deflector (C) and then retighten screw. Do not allow cordset to come into contact with deflector or sparks as damage to cordset may occur.

### Depth Stop (fig. 1)

Depth stop is set at the factory for a new 355mm (14") wheel to prevent wheel from cutting into the supporting surface. To allow more depth of cut, use the flat wrench provided (G) to loosen the depth stop bolt (M) and raise bolt to desired height and then turn lock nut (N) clockwise until seated firmly on the casting. Securely tighten the depth stop bolt before use.

 **CAUTION:** When changing to a new wheel, readjust depth stop to original position to prevent cutting into supporting surface.

### Trigger Switch (fig. 1)

To start the tool, depress the trigger switch (N). To turn the tool off, release the trigger switch. Keep hands and material from wheel until it has coasted to a stop. To prevent unauthorized use of tool, install a standard padlock (not included) into the padlock hole (O) located in the trigger.

### Material Clamping and Supporting


- Angles are best clamped and cut with both legs resting against base.
- A spacer block slightly narrower than the work piece can be used to increase wheel utilization (Fig. 2).
- Long work pieces must be supported by a block so it will be level with top of base (Fig. 3). The cut off end should be free to fall downward to avoid wheel binding.

### Vise Operation (fig. 4)

The vise (F) has a quick-travel feature. To release the vise when it is clamped tightly, turn the crank (H) counterclockwise one or two times to remove clamping pressure. Lift vise lever (I) up. Pull crank assembly out as far as desired. Vise may be pushed forward into work without

cranking. Lower vise lever (I) then tighten vise (F) on work by using crank (H).

### Fence Operation (fig. 5, 6)

 **CAUTION:** Turn off and unplug the tool before making any adjustments or removing or installing attachments or accessories. Be sure the trigger switch is in the OFF position. The fence (E) can be adjusted two ways: to change desired cutting angle and to change spacing between the fence and vise.


### To Change the Desired Cutting Angle

Use the wrench provided to loosen (do not remove) the two fence bolts (P). Align the desired angle indicator line with the slot line (Q) in the base (D). Securely tighten both fence bolts before use. For more accurate square cuts, disconnect the power supply, loosen the two fence bolts, push arm down until wheel extends into base. Place a square against the wheel and adjust fence against the square. Securely tighten both fence bolts before use. When making a miter cut, the vise (F) may not clamp securely, depending on the thickness of the workpiece and the miter angle. Other aids (such as spring, bar or C-clamps) will be necessary to secure the work piece to the fence when making these cuts.

### To Change Spacing between The Fence and Vise

Using the wrench provided, loosen and remove the two fence bolts (P). Adjust the fence (E) to desired locations. Insert both fence bolts in provided locations. Securely tighten both fence bolts before use.

### Removal and Installation of Wheels (fig. 7, 8)

 **CAUTION:** Turn off and unplug the tool before making any adjustments or removing or installing attachments or accessories. Be sure the trigger switch is in the OFF position. Do not make any adjustment while the wheel is in motion. Do not make any adjustment while chop saw is plugged into power supply.

1. Push in spindle lock (L) and rotate wheel (J) by hand until wheel lock lever engages slot in inside flange (R) to lock wheel. Loosen the bolt (S) counterclockwise in the center of the abrasive wheel with the 8mm hex wrench (G). Bolt has right-hand thread.
2. Remove the bolt (S), washer (T), outside flange (U) and old wheel (J).
3. Make sure flange surfaces are clean and flat. Install the new abrasive wheel by reversing the above steps.
4. Do not overtighten bolt.

**⚠ WARNING:** Check the work surface that the chop saw rests on when replacing with a new abrasive wheel. It is possible that the wheel may contact ANY ITEMS OR STRUCTURE THAT EXTENDS ABOVE work surface (under the base) when the arm is fully lowered.

## OPERATION TIPS FOR MORE ACCURATE CUTS

- Allow the wheel to do the cutting. Insufficient force will cause the wheel to glaze reducing cutting efficiency. Excessive force will cause the wheel to deflect causing inaccurate cuts.
- Properly adjust fence angle.
- Make sure material is laying flat across base.
- Properly clamp material to avoid movement and vibration.

## MOTOR BRUSH INSPECTION AND REPLACEMENT (FIG.9)

**⚠ WARNING:** Turn off and unplug the tool. Be sure the trigger switch is in the OFF position.

Brushes should be regularly inspected for wear. To inspect brushes, unscrew the two end cap screws (V) and remove end cap (W). Remove brush cap (Y). Brushes (X) should slide freely in brush box. If brushes are worn down to 8mm (0.3") as shown in Figure 9 they should be replaced. To reinstall, push new brush back into brushbox. If replacing existing brush, maintain same orientation as when removed. Replace the brush cap (do not overtighten). Replace end cap and two screws. Tighten securely.

## MAINTENANCE

Your Porter-Cable tool has been designed to operate over a long period of time with a minimum of maintenance. Continuous satisfactory operation depends upon proper tool care and regular cleaning.

- Regularly clean the ventilation slots in your tool using a soft brush or dry cloth.
- Regularly clean the motor housing using a damp cloth. Do not use any abrasive or solvent-based cleaner. Never let any liquid get inside the tool and never immerse any part of the tool into liquid.

## PROTECTING THE ENVIRONMENT



Separate collection. This product must not be disposed of with normal household waste.

Should you find one day that your Porter-Cable product needs replacement, or if it is of no further use to you, do not dispose of it with household waste. Make this product available for separate collection.



Separate collection of used products and packaging allows materials to be recycled and used again. Re-use of

recycled materials helps prevent environmental pollution and reduces the demand for raw materials.

## NOTE

Local regulations may provide for separate collection of electrical products from the household, at municipal waste sites or by the retailer when you purchase a new product. Porter-Cable provides a facility for the collection and recycling of Porter-Cable products once they have reached the end of their working life. To take advantage of this service please return your product to any authorised repair agent who will collect them on our behalf. You can check the location of your nearest authorised repair agent by contacting your local Porter-Cable office at the address indicated in this manual. Alternatively, a list of authorised Porter-Cable repair agents and full details of our after-sales service and contacts are available on the Internet at [www.2helpU.com](http://www.2helpU.com).

## GUARANTEE

### Three Year Limited Warranty

Porter-Cable will repair, without charge, any defects due to faulty materials or workmanship for three years from the date of purchase. Please return the complete unit, transportation prepaid, to any Porter-Cable Service Centre, or any authorised service station.

For warranty repair information, call (Australia) 1800 654 155 or (New Zealand) 0800 339 258. This warranty does not apply to:

- Accessories
- Damage caused where repairs have been made or attempted by others.
- Damage due to misuse, neglect, wear and tear, alteration or modification.

This warranty gives you specific legal rights and you may have other rights under the provisions of the Consumer Guarantee Act 1993 (New Zealand only), Trade Practices Act 1974 and State Legislation (Australia only). In addition to the warranty, Porter-Cable tools are covered by our:

### Free One Year Service Contract

Porter Cable will also maintain the tool for free at any time during the first year of purchase. This includes labour, parts and lubrication required to restore the product to sound mechanical and/or electrical condition. Normal wear parts are not covered in this service. Carbon brushes worn more than 50% will be replaced.

**NOTE:** 3 Year warranty is not applicable to items deemed as consumables. Porter Cable Reserves the right to review its warranty policy prior to launch of any new business development products.

## Contact Information

## Australia

Porter-Cable

20 Fletcher Road, Mooroolbark,  
Victoria, 3138

Tel. 03-8720 5100

Fax. 03-9727 5940

## New Zealand

Porter-Cable

5 Te Apunga Place

Mt Wellington

Auckland 1060

Tel. 0800 339 258

Fax. 09 259 1122

Contact your local council for disposal information.