
DEWALT®

WWW.DEWALT.COM

D28715

Figure 1

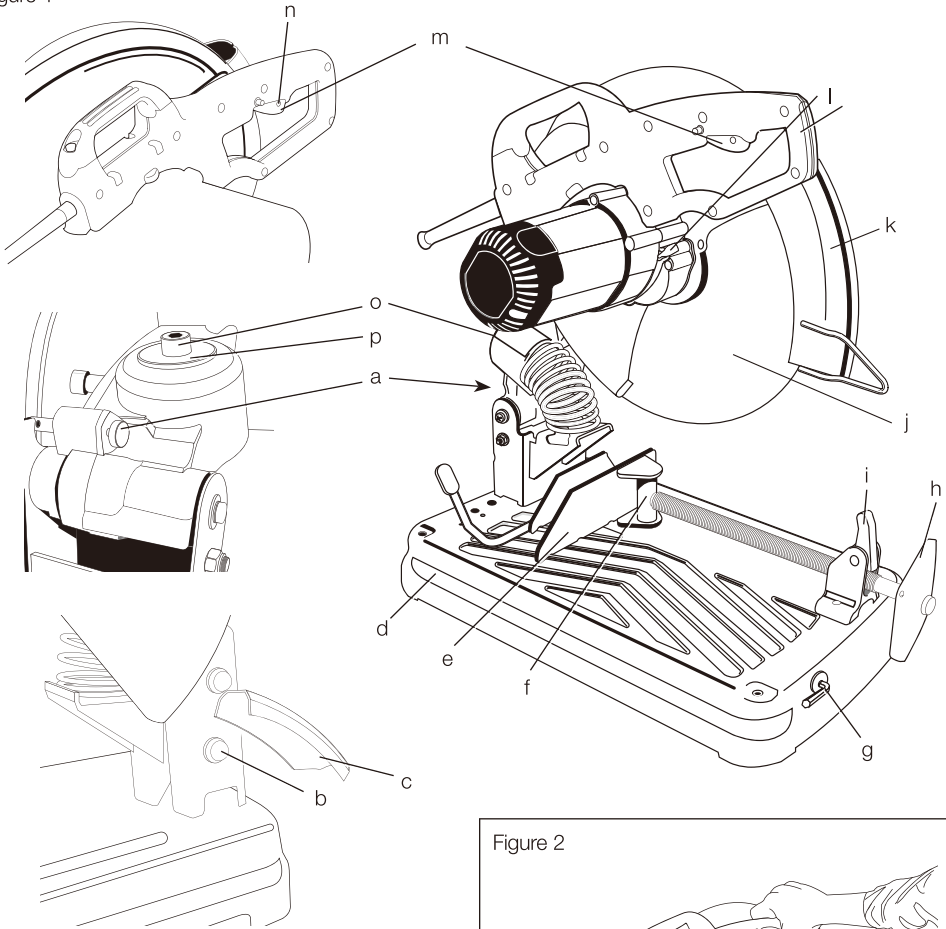


Figure 2

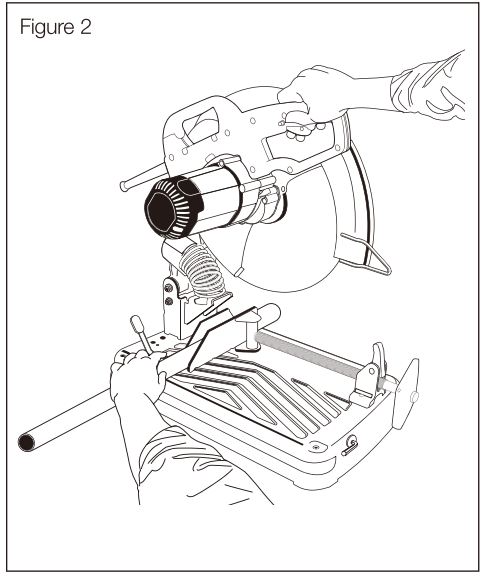


Figure 3

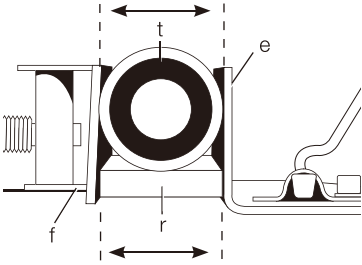


Figure 4

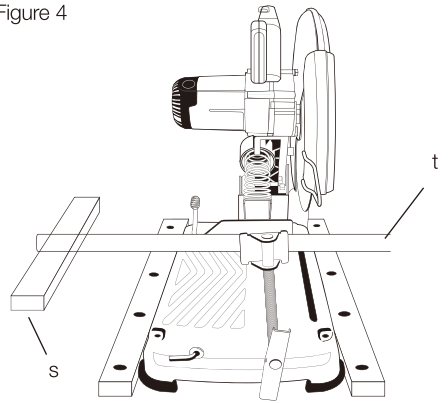


Figure 5

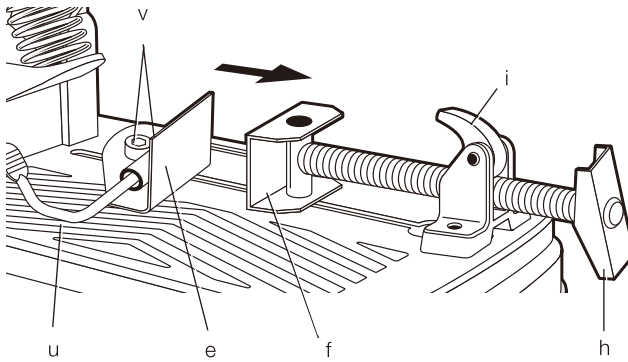


Figure 6

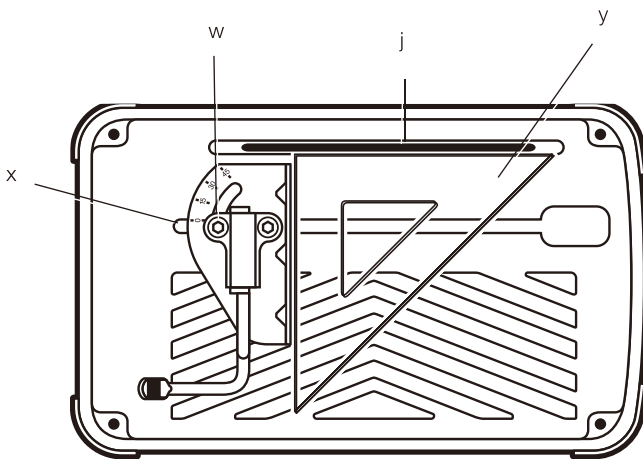


Figure 7

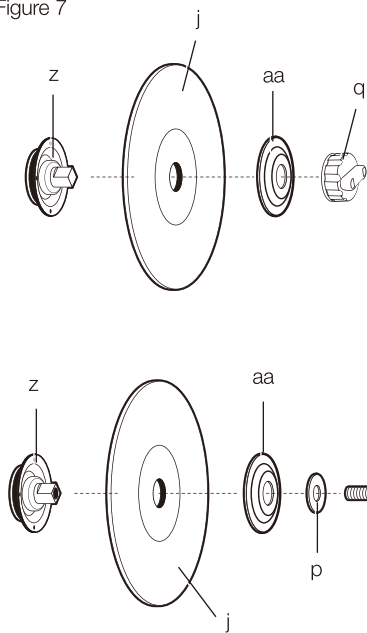


Figure 8

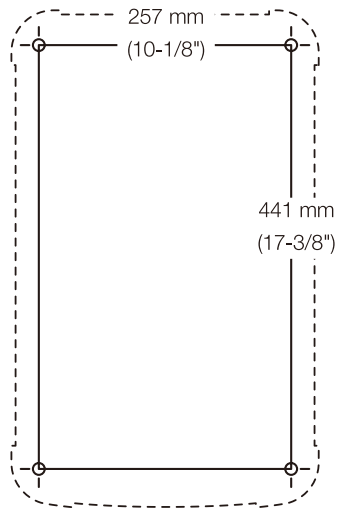
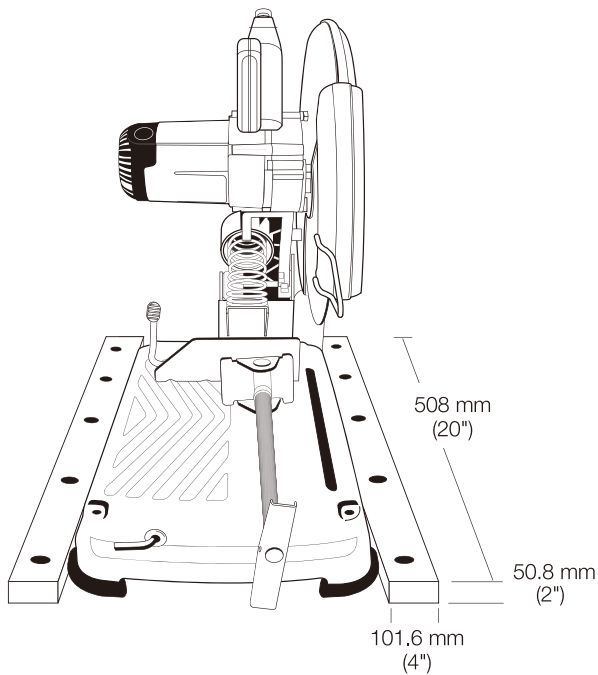


Figure 9



HEAVY-DUTY 355 MM (14") CHOP SAW WITH QUICK-CHANGE CLAMP D28715

Congratulations!

You have chosen a DEWALT tool. Years of experience, thorough product development and innovation make DEWALT one of the most reliable partners for professional power tool users.

Technical data

		D28715
Voltage	V	220-240
Power Input	W	2,200
No-load speed	min ⁻¹	3,800
Min.peripheral speed cutting disc	m/s	80
Disc diameter	mm	355
Disc bore	mm	25.4
Disc body thickness	mm	2.66
Type of cutting disc	straight, non-recessed	
Cross-cutting capacity at 90°		
circular	mm	130
square	mm	120 x 120
rectangular	mm	100 x 200
angular	mm	140 x 140
Cross-cutting capacity at 45°		
circular	mm	130
square	mm	110 x 110
rectangular	mm	100 x 140
angular	mm	120 x 120
Weight	kg	18.5

Definitions: Safety Guidelines

The definitions below describe the level of severity for each signal word. Please read the manual and pay attention to these symbols.



DANGER: Indicates an imminently hazardous situation which, if not avoided, **will** result in **death or serious injury**.



WARNING: Indicates a potentially hazardous situation which, if not avoided, **could** result in **death or serious injury**.



CAUTION: Indicates a potentially hazardous situation which, if not avoided, **may** result in **minor or moderate injury**.

CAUTION: Used without the safety alert symbol indicates a potentially hazardous situation which, if not avoided, **may** result in **property damage**.



Denotes risk of electric shock.



Denotes risk of fire.

Safety instructions

When using power tools, always observe the safety regulations applicable in your country to reduce the risk of fire, electric shock and personal injury.

Read all of this manual carefully before operating the tool.

SAVE THIS MANUAL FOR FUTURE REFERENCE.

General Safety Rules

1. Keep work area clean.

Cluttered areas and benches can cause accidents.

2. Consider work area environment.

Do not expose the tool to rain. Do not use the tool in damp or wet conditions. Keep the work area well lit (250 - 300 Lux). Do not use the tool where there is a risk of causing fire or explosion, e.g., in the presence of flammable liquids and gases.

3. Keep children away.

Do not allow children, visitors or animals to come near the work area or to touch the tool or the mains cable.

4. Dress properly.

Do not wear loose clothing or jewellery, as these can be caught in moving parts. Wear protective hair covering to keep long hair out of the way. When working outdoors, preferably wear suitable gloves and non-slip footwear.

5. Personal protection.

Always use safety glasses. Use a face or dust mask whenever the operations may produce dust or flying particles. If these particles might be considerably hot, also wear a heat-resistant apron. Wear ear protection at all times. Wear a safety helmet at all times.

6. Guard against electric shock.

Prevent body contact with earthed surfaces (e.g., pipes, radiators, cookers and refrigerators). When using the tool under extreme conditions (e.g., high humidity, when metal swarf is being produced, etc.), electric safety can be improved by inserting an isolating transformer or a (FI) earth-leakage circuit-breaker.

7. Do not overreach.

Keep proper footing and balance at all times.

8. Stay alert.

Watch what you are doing. Use common sense. Do not operate the tool when you are tired.

9. Secure work piece.

Use clamps or a vice to hold the work piece. It is safer and it frees both hands to operate the tool.

10. Connect dust extraction equipment.

If devices are provided for the connection of dust extraction and collection facilities, ensure that these are connected and properly used.

11. Remove adjusting keys and wrenches.

Always check that adjusting keys and wrenches are removed from the tool before operating the tool.

12. Extension cables.

Before use, inspect the extension cable and replace if damaged. When using the tool outdoors, only use extension cables intended for outdoor use and marked accordingly.

13. Use appropriate tool.

The intended use is described in this instruction manual. Do not force small tools or attachments to do the job of a heavy-duty tool. The tool will do the job better and safer at the rate for which it was intended. Do not force the tool.



WARNING! The use of any accessory or attachment or performance of any operation with this tool other than those recommended in this instruction manual may present a risk of personal injury.

14. Check for damaged parts.

Before use, carefully check the tool and mains cable for damage. Check for misalignment and seizure of moving parts, breakage of parts, damage to guards and switches and any other conditions that may affect its operation. Ensure that the tool will operate properly and perform its intended function. Do not use the tool if any part is damaged or defective. Do not use the tool if the switch does not turn it on and off. Have any damaged or defective parts replaced by an authorised D&WALT repair agent. Never attempt any repairs yourself.

15. Unplug tool.

Switch off and wait for the tool to come to a complete standstill before leaving it unattended. Unplug the tool when not in use, before changing any parts of the tools, accessories or attachments and before servicing.

16. Avoid unintentional starting.

Do not carry the tool with a finger on the switch. Be sure that the tool is switched off before plugging in.

17. Do not abuse cord.

Never carry the tool by its cord. Never pull the cord to disconnect from the socket. Keep the cord away from heat, oil and sharp edges.

18. Store idle tools.

When not in use, tools must be stored in a dry place and locked up securely, out of reach of children.

19. Maintain tools with care.

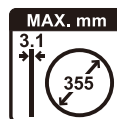
Keep the tools in good condition and clean for better and safer performance. Follow the instructions for maintenance and changing accessories. Keep all handles and switches dry, clean and free from oil and grease.

20. Repairs.

This tool is in accordance with the relevant safety regulations. Have your tool repaired by an authorised D&WALT repair agent. Repairs should only be carried out by qualified persons using original spare parts; otherwise this may result in considerable danger to the user.

Additional Safety Instructions for Chop Saws

- Always wear regular working gloves while operating this tool.
- Keep hands away from the cutting disc. Never cut workpieces that require manual action closer than 15 cm from the rotating cutting disc.
- Do not cut workpieces less than 1.2 mm in thickness when using the cutting disc supplied with this tool.
- Do not operate this tool without guards in place.
- Do not perform any operation freehand. Use the material clamp to clamp the workpiece securely.
- Never reach in the back of the cutting disc.
- Always position the tool on a flat, stable surface that is well maintained and free of loose materials, e.g., chips and cut-offs.
- Before using, inspect the cutting disc for cracks or flaws. Discard the cutting disc if a crack or flaw is evident.
- Make sure the cutting disc is not contacting the workpiece before the tool is switched on.
- In operation, avoid bouncing the cutting disc or giving it rough treatment. If this occurs, stop the tool and inspect the cutting disc.
- Do not operate the tool while standing in line with the cutting disc. Keep other persons away from the work area.
- Be aware of cutting chips and the material being cut. They may be sharp and hot. Allow cut off parts to cool before handling.
- The spark deflector becomes hot during use. Avoid touching or adjusting the spark deflector immediately after operation.
- Switch off the tool and wait for the cutting disc to stop before moving the workpiece or changing the settings.
- After switching off, never attempt to stop the cutting disc by pressing against the side of the disc.
- Do not use cutting fluids. These fluids could ignite or cause electrical shock.
- Check that the workpiece is properly supported.
- Use the cutting discs recommended by the manufacturer only. Do not use tools for purposes not intended; for example do not use circular saws to cut tree limbs or logs.
- The max. allowable speed of the cutting disc must always be equal to or greater than the no-load speed of the tool specified on the nameplate.
- Do not use cutting discs that do not conform to the dimensions stated in the technical data.
- Read the operating instructions supplied by the wheel manufacturer.
- Ensure that the abrasive wheel is correctly fitted and tightened before use.
- Let the tool run at no-load in a safe position for at least 30 seconds. If there is a considerable vibration or if any other defect occurs, stop the tool and check it to determine the cause.
- Do not use cutting discs for side grinding.
- Do not cut concrete, brick, tile or ceramic materials.
- Do not cut wood, plastic or synthetic materials.
- Do not cut cast-iron materials.
- Never cut magnesium materials.
- Do not cut electrically live material.
- Use this tool in a well-ventilated area. Do not operate the tool near flammable liquids, gases or dust. Sparks or hot chips from cutting or arcing motor brushes may ignite combustible materials.
- Regularly clear the ventilation slots when working in dusty conditions. If it should become necessary to clean the slots, remember to unplug the tool first.
- Always store cutting discs well-protected and in a dry place, out of reach of children.
- Faults in machine, including guards or cutter blades, should be reported as soon as they are discovered.
- Only use chop saw wheel of a max. thickness of 3.1 mm and a max. diameter of 355 mm.



WARNING! Use of this tool can generate dust containing chemicals known to cause cancer, birth defects or other reproductive harm. Use appropriate respiratory protection.

- The following factors are of influence to noise production:
 - the material to be cut
 - the type of the cutting disc
 - the feed force. Take appropriate measures for the protection of hearing.

Residual risks

- The following risks are inherent to the use of these machines:
 - injuries caused by touching the rotating parts.
 - injuries caused by disruption of the cutting disc.
- These risks are most evident:
 - within the range of operation
 - within the range of the rotating machine parts
- In spite of the application of the relevant safety regulations and the implementation of safety devices, certain residual risks cannot be avoided.

These are:

 - Impairment of hearing.
 - Risk of accidents caused by the uncovered parts of the rotating cutting disc.
 - Risk of injury when changing the disc.
 - Risk of squeezing fingers when opening the guards.

- a. Lock pin
- b. Spark deflector screw
- c. Spark deflector
- d. Base
- e. Fence
- f. Vise
- g. 8mm hex wrench
- h. Crank
- i. Vise lever
- j. Wheel
- k. Spark guard
- l. Wheel lock lever
- m. Trigger switch
- n. Padlock hole
- o. Extra blade bolt
- p. Extra blade bolt washer
- q. Quick-Change blade clamp (fig. 7)

Package contents

The package contains:

- 1 Chopsaw
 - 1 Cutting disc
 - 1 hex key
 - 1 Instruction manual
- Check for damage to the tool, parts or accessories which may have occurred during transport.
 - Take the time to thoroughly read and understand this manual prior to operation.

Description (fig. 1)



WARNING: Never modify the power tool or any part of it. Damage or personal injury could result.

INTENDED USE

Your D28715 chop saw has been designed for the cutting of variously shaped steel materials.

The D28715 chop saw is a professional power tool.

DO NOT let children come into contact with the tool. Supervision is required for those under 16 years of age.

Electrical safety

The electric motor has been designed for one voltage only. Always check that the power supply corresponds to the voltage on the rating plate.



Your tool is double insulated in accordance with EN 61029; therefore no earth wire is required.

Using an extension cable

If an extension cable is required, use an approved extension cable suitable for the power input of this tool (see technical data).

The minimum conductor size is 1.5 mm². When using a cable reel, always unwind the cable completely. Also refer to the table below.

Conductor size (mm ²)		Cable rating (Amperes)							
0.75		6							
1.00		10							
1.50		15							
2.50		20							
4.00		25							
Cable length (m)									
		7.5	15	25	30	45	60		
Voltage	Amperes	Cable rating (Amperes)							
115	0 – 2.0	6	6	6	6	6	6	10	
	2.1 – 3.4	6	6	6	6	6	6	15	
	3.5 – 5.0	6	6	10	15	20	20	20	
	5.1 – 7.0	10	10	15	20	20	20	25	
	7.1 – 12.0	15	15	20	25	25	–	–	–
230	12.1 – 20.0	20	20	25	–	–	–	–	–
	0 – 2.0	6	6	6	6	6	6	6	
	2.1 – 3.4	6	6	6	6	6	6	6	
	3.5 – 5.0	6	6	6	6	10	15	15	
	5.1 – 7.0	10	10	10	10	15	15	15	
7.1 – 12.0	7.1 – 12.0	15	15	15	15	20	20	20	
	12.1 – 20.0	20	20	20	20	25	–	–	

Connecting to the mains

The mains supply to be used for this machine must be equipped with a 16 A cut-out fuse with time delay.

Voltage drops

In rush currents cause short-time voltage drops. Under unfavourable power supply conditions, other equipment may be affected. If the system impedance of the power supply is lower than 0.25 Ω, disturbances are unlikely to occur.

ASSEMBLY



WARNING: Prior to assembly and adjustment, always unplug the tool.

OPERATION

Instructions for use



WARNING: Always observe the safety instructions and applicable regulations.

Cutting Capacity

The wide vise opening and high pivot point provide cutting capacity for many large pieces. Use the cutting capacity chart to determine total maximum size of cuts that can be made with a new wheel.



CAUTION: Certain large, circular or irregularly shaped objects may require additional holding means if they cannot be held securely in vise.



CAUTION: Do not cut magnesium with this tool. Damage to the saw and personal injury may result.

To Carry (Fig. 1)

Fold down unit to position where you can carry the saw. Push in lock pin (A) to lock arm down.

Unlocking (Fig. 1)

To unlock tool and raise head, depress motor arm slightly and pull lock pin (A) out. Motor arm will then pivot upward.

Material Clamping and Supporting

- Angles are best clamped and cut with both legs resting against base.
- A spacer block (r) slightly narrower than the workpiece (t) can be used to increase wheel utilization (Fig. 3).

- Long workpieces must be supported by a block (s) so it will be level with top of base (Fig. 4). The cut-off end (t) should be free to fall downward to avoid wheel binding.

Spark Deflector Adjustment (Fig. 1)

To best deflect sparks away from surrounding persons and materials, loosen the screw (b), adjust the spark deflector (c) and then retighten screw.

CAUTION: Risk of property damage. Do not allow cordset to come into contact with deflector or sparks as damage to cordset may occur.

Vise Operation (Fig. 5)

The vise has a quick travel feature. To release the vise (f) when it is clamped tightly, turn the crank (h) counterclockwise one or two times to remove clamping pressure. Lift the vise lever (i) up. Pull crank assembly out as far as desired. The vise may be shoved into work without cranking. Lower vise lever then tighten vise on work by using crank.

Fence Operation (Fig. 5)



WARNING: To reduce the risk of injury, turn unit off and disconnect machine from power source before installing and removing accessories, before adjusting or changing set-ups or when making repairs. Be sure the trigger switch is in the OFF position. An accidental start-up can cause injury.

The fence (e) requires no tools to adjust. The quick-release clamp lever (u) unlocks and locks the fence. When the lever is rotated fully forward, the fence is unlocked. The fence can then be freely moved forward, backward or rotated to allow for the best cutting position for a new wheel and as the wheel wears.

Rotating the lever fully to the rear locks the fence in position selected. If the bottom leg of the lever is not horizontal (parallel to the base), the fence is not locked. Lever will only lock fence when there is strong resistance to moving it to rear. If resistance is light, adjust clamping force by tightening slightly the two bolts (v) holding the fence to the base. Test by reclamping and attempt to move fence.

Fence Angle Adjustment (Fig. 6)



WARNING: To reduce the risk of injury, turn unit off and disconnect machine from power source before installing and removing accessories, before adjusting or changing set-ups or when making repairs. Be sure the trigger switch is in the OFF position. An accidental start-up can cause injury.

The angle adjustment indicator (w) is part of fence clamping system. Align the desired angle indicator line with the edge of the slot (x) in base.

FOR A MORE ACCURATE SQUARE CUT

1. Unlock the fence.
2. Push the arm down until the wheel extends into the base.
3. Place a square (y) against the wheel and adjust the fence against the square.
4. Lock the fence into position.

Usage (Fig. 1, 2)

Refer to Figure 2 for proper body positioning during use.

To start the tool, depress the trigger switch (m). To turn the tool off, release the trigger switch. Keep hands and material from wheel until it has coasted to a stop.

To prevent unauthorized use of tool, install a standard padlock (not included) into the padlock hole (n) located in the trigger.

Removal and Installation of Wheels (Fig. 7)



WARNING: To reduce the risk of injury, turn unit off and disconnect machine from power source before installing and removing accessories, before adjusting or changing set-ups or when making repairs. Be sure the trigger switch is in the OFF position. An accidental start-up can cause injury.

The Quick-Change blade clamp requires no tools to change the blade.

1. Push in wheel lock lever (l) and rotate wheel (j) by hand until wheel lock lever engages slot in inside flange (z) to lock wheel. Loosen the Quick-Change blade clamp (q) counterclockwise. Clamp has right-hand thread.
2. Remove the Quick-Change blade clamp (q), blade clamp washer (aa) and old wheel (j) by hand.

3. Make sure flange surfaces are clean and flat. Install the new abrasive wheel by reversing the above steps.
4. Tighten the Quick-Change blade clamp clockwise until the knob clicks as least three times to ensure the knob is tight. The Quick-Change blade clamp cannot be overtightened.

NOTE: Do not overtighten bolt. An extra blade bolt (o) and blade bolt washer (p) is stored on the back of the motor arm. The bolt and washer must be used together to safely clamp blade.



WARNING: Risk of personal injury. Check the work surface that the chop saw rests on when replacing with a new abrasive wheel. It is possible that the wheel may contact ANY ITEMS OR STRUCTURE THAT EXTENDS ABOVE work surface (under the base) when the arm is fully lowered.

Mounting (Fig. 8, 9)



CAUTION: Tool must be supported on stable, level, non-skid surface to prevent unexpected movement when operating.

PROCEDURE FOR PERMANENT MOUNTING

1. Drill four holes 8 mm (5/16") through the work surface (Fig. 8).
2. Insert 1/4-20 screws down through the holes in the base and through holes in mounting surface. The approximate length of the screws should be the thickness of the mounting surface plus 102 mm (4").

CRADLE MOUNTING

1. Cut two boards approximately 508 x 50.8 x 101.6 mm (20" long x 2" high x 4") wide.
2. Place chop saw at desired work location.
3. Place boards tightly along side, and nail to work surface (Fig. 9).

Operation Tips for More Accurate Cuts

- Allow the wheel to do the cutting. Excessive force will cause the wheel to glaze reducing cutting efficiency and/or to deflect causing inaccurate cuts.
- Properly adjust fence angle.
- Make sure material is laying flat across base.
- Properly clamp material to avoid movement and vibration.

MAINTENANCE

Your D^EWALT power tool has been designed to operate over a long period of time with a minimum of maintenance. Continuous satisfactory operation depends upon proper tool care and regular cleaning.



WARNING: To reduce the risk of injury, turn unit off and disconnect machine from power source before installing and removing accessories, before adjusting or changing set-ups or when making repairs. Be sure the trigger switch is in the OFF position. An accidental start-up can cause injury.

NOTE: Unit may be converted to a three-wire twist lock cord set at an authorized service center.



Lubrication

Closed-type, grease-sealed ball bearings are used throughout. These bearings have sufficient lubrication packed in them at the factory to last the life of the chop saw.



Cleaning



WARNING: Blow dirt and dust out of the main housing with dry air as often as dirt is seen collecting in and around the air vents. Wear ANSI Z87.1 (CAN/CSA Z94.3) approved eye protection when performing this procedure.



CAUTION: When cleaning, use only mild soap and a damp cloth on plastic parts. Many household cleaners contain chemicals which could seriously damage plastic. Also, do not use gasoline, turpentine, lacquer or paint thinner, dry cleaning fluids or similar products which may seriously damage plastic parts. Never let any liquid get inside the tool; never immerse any part of the tool into a liquid.

Optional accessories



WARNING: Since accessories, other than those offered by D^EWALT, have not been tested with this product, use of such accessories with this tool could be hazardous. To reduce the risk of injury, only D^EWALT, recommended accessories should be used with this product.

Consult your dealer for further information on the appropriate accessories.

Use only high-strength Type 1 organic bonded wheels rated 4100 rpm or higher.

Protecting the environment



Separate collection. This product must not be disposed of with normal household waste.

Should you find one day that your D^EWALT product needs replacement, or if it is of no further use to you, do not dispose of it with household waste. Make this product available for separate collection.



Separate collection of used products and packaging allows materials to be recycled and used again. Re-use of recycled materials helps prevent environmental pollution and reduces the demand for raw materials.

Service Information

D^EWALT offers a full network of company-owned and authorized service locations throughout Asia. All D^EWALT Service Centers are staffed with trained personnel to provide customers with efficient and reliable power tool service. Whether you need technical advice, repair, or genuine factory replacement parts, contact the D^EWALT location nearest to you.

Notes

- DEWALT's policy is one of continuous improvement to our products and, as such, we reserve the right to change product specifications without prior notice.
- Standard equipment and accessories may vary by country.
- Product specifications may differ by country.
- Complete product range may not be available in all countries. Contact your local DEWALT dealers for range availability.