
DEWALT®

XR LI-ION

WWW.DEWALT.COM

DCF815

English (original)	3
中文 (简体)	13
中文 (繁體)	23
한글판	33
ภาษาไทย	43

Figure 1

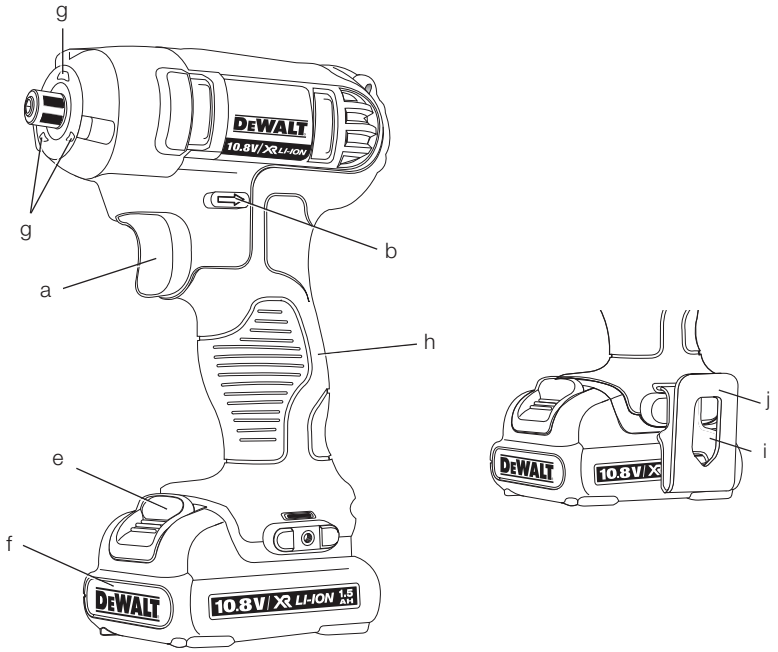


Figure 2

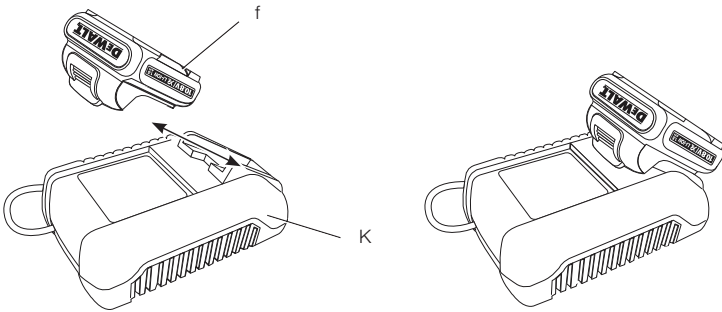


Figure 3

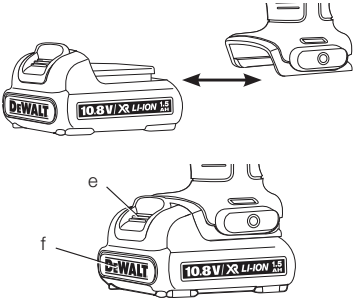


Figure 4

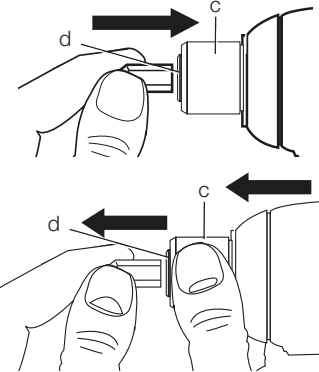
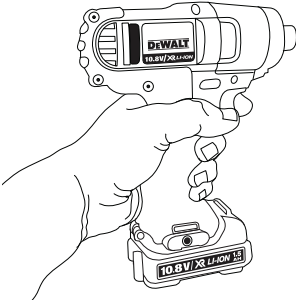


Figure 5



10.8 V CORDLESS IMPACT DRIVER

DCF815

Congratulations!

You have chosen a DEWALT tool. Years of experience, thorough product development and innovation make DEWALT one of the most reliable partners for professional power tool users.

Technical Data

DCF815		
Voltage	V	10,8
Type		1
Battery Type		Li-Ion
No load speed	min ⁻¹	0–2450
Max torque	Nm	107
Tool holder		1/4" (6,35 mm)
Weight (without battery pack)	kg	0,8
<hr/>		
L _{PA} (sound pressure)	dB(A)	88
K _{PA} (sound pressure uncertainty)	dB(A)	3
L _{WA} (sound power)	dB(A)	99
K _{WA} (sound power uncertainty)	dB(A)	3

Vibration total values (triax vector sum) determined according to EN 60745:

Vibration emission value a _h		
a _h =	m/s ²	7.5
Uncertainty K =	m/s ²	1.7

The vibration emission level given in this information sheet has been measured in accordance with a standardised test given in EN 60745 and may be used to compare one tool with another. It may be used for a preliminary assessment of exposure.



WARNING: The declared vibration emission level represents the main applications of the tool. However if the tool is used for different applications, with different accessories or poorly maintained, the vibration emission may differ. This may significantly increase the exposure level over the total working period.

An estimation of the level of exposure to vibration should also take into account the times when the tool is switched off or when it is running but not actually doing the job. This may significantly

reduce the exposure level over the total working period.

Identify additional safety measures to protect the operator from the effects of vibration such as: maintain the tool and the accessories, keep the hands warm, organisation of work patterns.

Battery pack		DCB121	DCB123		
Battery type		Li-Ion	Li-Ion		
Voltage	V _{DC}	10.8	10.8		
Capacity	A _h	1.3	1.5		
Weight	kg	0.2	0.2		
<hr/>					
Charger		DCB100	DCB105		
Mains voltage	V _{AC}	220-240	220-240		
Battery type		Li-Ion	Li-Ion		
Approx. charging time	min	40	40	30	30
		(1.3 Ah battery packs)	(1.5 Ah battery packs)	(1.3 Ah battery packs)	(1.5 Ah battery packs)
Weight	kg	0.3	0.49		

Definitions: Safety Guidelines

The definitions below describe the level of severity for each signal word. Please read the manual and pay attention to these symbols.



DANGER: Indicates an imminently hazardous situation which, if not avoided, **will** result in **death or serious injury**.



WARNING: Indicates a potentially hazardous situation which, if not avoided, **could** result in **death or serious injury**.



CAUTION: Indicates a potentially hazardous situation which, if not avoided, **may** result in **minor or moderate injury**.

NOTICE: Indicates a practice **not related to personal injury** which, if not avoided, **may** result in **property damage**.



Denotes risk of electric shock.



Denotes risk of fire.



WARNING: To reduce the risk of injury, read the instruction manual.

General Power Tool Safety Warnings



WARNING! Read all safety warnings and all instructions. Failure to follow the warnings and instructions may result in electric shock, fire and/or serious injury.

SAVE ALL WARNINGS AND INSTRUCTIONS FOR FUTURE REFERENCE

The term "power tool" in the warnings refers to your mains-operated (corded) power tool or battery-operated (cordless) power tool.

1) WORK AREA SAFETY

- a) **Keep work area clean and well lit.** Cluttered or dark areas invite accidents.
- b) **Do not operate power tools in explosive atmospheres, such as in the presence of flammable liquids, gases or dust.** Power tools create sparks which may ignite the dust or fumes.
- c) **Keep children and bystanders away while operating a power tool.** Distractions can cause you to lose control.

2) ELECTRICAL SAFETY

- a) **Power tool plugs must match the outlet. Never modify the plug in any way. Do not use any adapter plugs with earthed (grounded) power tools.** Unmodified plugs and matching outlets will reduce risk of electric shock.
- b) **Avoid body contact with earthed or grounded surfaces such as pipes, radiators, ranges and refrigerators.** There is an increased risk of electric shock if your body is earthed or grounded.

- c) **Do not expose power tools to rain or wet conditions.** Water entering a power tool will increase the risk of electric shock.
- d) **Do not abuse the cord. Never use the cord for carrying, pulling or unplugging the power tool. Keep cord away from heat, oil, sharp edges or moving parts.** Damaged or entangled cords increase the risk of electric shock.
- e) **When operating a power tool outdoors, use an extension cord suitable for outdoor use.** Use of a cord suitable for outdoor use reduces the risk of electric shock.
- f) **If operating a power tool in a damp location is unavoidable, use a residual current device (RCD) protected supply.** Use of an RCD reduces the risk of electric shock.

3) PERSONAL SAFETY

- a) **Stay alert, watch what you are doing and use common sense when operating a power tool. Do not use a power tool while you are tired or under the influence of drugs, alcohol or medication.** A moment of inattention while operating power tools may result in serious personal injury.
- b) **Use personal protective equipment. Always wear eye protection.** Protective equipment such as dust mask, non-skid safety shoes, hard hat, or hearing protection used for appropriate conditions will reduce personal injuries.
- c) **Prevent unintentional starting. Ensure the switch is in the off position before connecting to power source and/or battery pack, picking up or carrying the tool.** Carrying power tools with your finger on the switch or energising power tools that have the switch on invites accidents.
- d) **Remove any adjusting key or wrench before turning the power tool on.** A wrench or a key left attached to a rotating part of the power tool may result in personal injury.

- e) **Do not overreach. Keep proper footing and balance at all times.** This enables better control of the power tool in unexpected situations.
- f) **Dress properly. Do not wear loose clothing or jewellery. Keep your hair, clothing and gloves away from moving parts.** Loose clothes, jewellery or long hair can be caught in moving parts.
- g) **If devices are provided for the connection of dust extraction and collection facilities, ensure these are connected and properly used.** Use of dust collection can reduce dust-related hazards.

4) POWER TOOL USE AND CARE

- a) **Do not force the power tool. Use the correct power tool for your application.** The correct power tool will do the job better and safer at the rate for which it was designed.
- b) **Do not use the power tool if the switch does not turn it on and off.** Any power tool that cannot be controlled with the switch is dangerous and must be repaired.
- c) **Disconnect the plug from the power source and/or the battery pack from the power tool before making any adjustments, changing accessories, or storing power tools.** Such preventive safety measures reduce the risk of starting the power tool accidentally.
- d) **Store idle power tools out of the reach of children and do not allow persons unfamiliar with the power tool or these instructions to operate the power tool.** Power tools are dangerous in the hands of untrained users.
- e) **Maintain power tools. Check for misalignment or binding of moving parts, breakage of parts and any other condition that may affect the power tool's operation. If damaged, have the power tool repaired before use.** Many accidents are caused by poorly maintained power tools.
- f) **Keep cutting tools sharp and clean.** Properly maintained cutting tools with sharp cutting edges are less likely to bind and are easier to control.

- g) **Use the power tool, accessories and tool bits etc., in accordance with these instructions taking into account the working conditions and the work to be performed.** Use of the power tool for operations different from those intended could result in a hazardous situation.

5) BATTERY TOOL USE AND CARE

- a) **Recharge only with the charger specified by the manufacturer.** A charger that is suitable for one type of battery pack may create a risk of fire when used with another battery pack.
- b) **Use power tools only with specifically designated battery packs.** Use of any other battery packs may create a risk of injury and fire.
- c) **When battery pack is not in use, keep it away from other metal objects like paper clips, coins, keys, nails, screws or other small metal objects that can make a connection from one terminal to another.** Shorting the battery terminals together may cause burns or a fire.
- d) **Under abusive conditions, liquid may be ejected from the battery, avoid contact. If contact accidentally occurs, flush with water. If liquid contacts eyes, additionally seek medical help.** Liquid ejected from the battery may cause irritation or burns.

6) SERVICE

- a) **Have your power tool serviced by a qualified repair person using only identical replacement parts.** This will ensure that the safety of the power tool is maintained.

Additional Specific Safety Rules for Impact Wrenches

- **Hold power tool by insulated gripping surfaces when performing an operation where the fastener may contact hidden wiring.** Fasteners contacting a "live" wire may make exposed metal parts of the power tool "live" and could give the operator an electric shock.

Residual Risks

In spite of the application of the relevant safety regulations and the implementation of safety devices, certain residual risks cannot be avoided.

These are:

- Impairment of hearing .
- Risk of personal injury due flying particles.
- Risk of burns due to accessories becoming hot during operation.
- Risk of personal injury due to prolonged use.

Unplug charger before attempting to clean.

Markings on Tool

The following pictograms are shown on the tool:



Read instruction manual before use.

DATE CODE POSITION

The Date Code, which also includes the year of manufacture, is printed into the housing surface that forms the mounting joint between tool and battery.

Example:

2011 XX XX

Year of Manufacture

Important Safety Instructions for All Battery Chargers

SAVE THESE INSTRUCTIONS: This manual contains important safety and operating instructions for the DCB100 and DCB105 battery chargers.

- Before using charger, read all instructions and cautionary markings on charger, battery pack, and product using battery pack.



WARNING: Shock hazard. Do not allow any liquid to get inside charger. Electric shock may result.



CAUTION: Burn hazard. To reduce the risk of injury, charge only DEWALT rechargeable batteries. Other types of batteries may burst causing personal injury and damage.



CAUTION: Children should be supervised to ensure that they do not play with the appliance.

NOTICE: Under certain conditions, with the charger plugged in to the power supply, the charger can be shorted by foreign material. Foreign materials of a conductive nature such as, but not limited to, grinding dust, metal chips, steel wool, aluminum foil, or any buildup of metallic particles should be kept away from charger cavities. Always unplug the charger from the power supply when there is no battery pack in the cavity.

- **DO NOT attempt to charge the battery pack with any chargers other than the ones in this manual.** The charger and battery pack are specifically designed to work together.
- **These chargers are not intended for any uses other than charging DEWALT rechargeable batteries.** Any other uses may result in risk of fire, electric shock or electrocution.
- **Do not expose charger to rain or snow.**
- **Pull by plug rather than cord when disconnecting charger.** This will reduce risk of damage to electric plug and cord.
- **Make sure that cord is located so that it will not be stepped on, tripped over, or otherwise subjected to damage or stress.**
- **Do not use an extension cord unless it is absolutely necessary.** Use of improper extension cord could result in risk of fire, electric shock, or electrocution.
- **Do not place any object on top of charger or place the charger on a soft surface that might block the ventilation slots and result in excessive internal heat.** Place the charger in a position away from any heat source. The charger is ventilated through slots in the top and the bottom of the housing.
- **Do not operate charger with damaged cord or plug** — have them replaced immediately.
- **Do not operate charger if it has received a sharp blow, been dropped, or otherwise damaged in any way.** Take it to an authorised service centre.
- **Do not disassemble charger; take it to an authorised service centre when service or repair is required.** Incorrect reassembly may result in a risk of electric shock, electrocution or fire.
- In case of damaged power supply cord the supply cord must be replaced immediately by the manufacturer, its service agent or similar qualified person to prevent any hazard.
- **Disconnect the charger from the outlet before attempting any cleaning. This will reduce the risk of electric shock.** Removing the battery pack will not reduce this risk.
- **NEVER attempt to connect 2 chargers together.**
- **The charger is designed to operate on standard 220-240V household electrical**

power. Do not attempt to use it on any other voltage. This does not apply to the vehicular charger.

SAVE THESE INSTRUCTIONS

Chargers

The DCB100 and DCB105 chargers accept 10.8 V Li-Ion batteries.

These chargers require no adjustment and are designed to be as easy as possible to operate.

Charging Procedure (fig. 2)

1. Plug the charger (k) into an appropriate outlet before inserting battery pack.
2. Insert the battery pack (f) into the charger. The red (charging) light will blink continuously indicating that the charging process has started.
3. The completion of charge will be indicated by the red light remaining ON continuously. The pack is fully charged and may be used at this time or left in the charger.

NOTE: To ensure maximum performance and life of Li-Ion batteries, charge the battery pack fully before first use.

Charging Process

State of charge	
charging	- - - -
fully charged	_____
hot/cold pack delay	- - - -
replace battery pack	●●●●●●●●

Hot/Cold Pack Delay

When the charger detects a battery that is too hot or too cold, it automatically starts a Hot/Cold Pack Delay, suspending charging until the battery has reached an appropriate temperature. The charger then automatically switches to the pack charging mode. This feature ensures maximum battery life.

LI-ION BATTERY PACKS ONLY

Li-Ion batteries are designed with an Electronic Protection System that will protect the battery against overloading, overheating or deep discharge.

The tool will automatically turn off if the Electronic Protection System engages. If this occurs, place the Li-Ion battery on the charger until it is fully charged.

Important Safety Instructions for All Battery Packs

When ordering replacement battery packs, be sure to include catalog number and voltage.

The battery pack is not fully charged out of the carton. Before using the battery pack and charger, read the safety instructions below. Then follow charging procedures outlined.

READ ALL INSTRUCTIONS

- **Do not charge or use battery in explosive atmospheres, such as in the presence of flammable liquids, gases or dust.** Inserting or removing the battery from the charger may ignite the dust or fumes.
- **NEVER force battery pack into charger. DO NOT modify battery pack in any way to fit into a non-compatible charger as battery pack may rupture causing serious personal injury.**
- Charge the battery packs only in DEWALT chargers.
- **DO NOT splash or immerse in water or other liquids.**
- **Do not store or use the tool and battery pack in locations where the temperature may reach or exceed 40° C (105° F) (such as outside sheds or metal buildings in summer).**



WARNING: Never attempt to open the battery pack for any reason. If battery pack case is cracked or damaged, do not insert into charger. Do not crush, drop or damage battery pack. Do not use a battery pack or charger that has received a sharp blow, been dropped, run over or damaged in any way (i.e., pierced with a nail, hit with a hammer, stepped on). Damaged battery packs should be returned to service centre for recycling.



CAUTION: When not in use, place tool on its side on a stable surface where it will not cause a tripping or falling hazard. Some tools with large battery packs will stand upright on the battery pack but may be easily knocked over.

SPECIFIC SAFETY INSTRUCTIONS FOR LITHIUM ION (Li-Ion)

- **Do not incinerate the battery pack even if it is severely damaged or is completely worn out.** The battery pack can explode in a fire. Toxic fumes and materials are created when lithium ion battery packs are burned.
- **If battery contents come into contact with the skin, immediately wash area with mild soap and water.** If battery liquid gets into the

eye, rinse water over the open eye for 15 minutes or until irritation ceases. If medical attention is needed, the battery electrolyte is composed of a mixture of liquid organic carbonates and lithium salts.

- **Contents of opened battery cells may cause respiratory irritation.** Provide fresh air. If symptoms persists, seek medical attention.



WARNING: Burn hazard. Battery liquid may be flammable if exposed to spark or flame.

Battery Pack

BATTERY TYPE

The DCF815 operates on a 10.8 V battery pack.

Storage Recommendations

1. The best storage place is one that is cool and dry away from direct sunlight and excess heat or cold. For optimum battery performance and life, store battery packs at room temperature when not in use.
2. For long storage, it is recommended to store a fully charged battery pack in a cool, dry place out of the charger for optimal results.

NOTE: Battery packs should not be stored completely depleted of charge. The battery pack will need to be recharged before use.

Labels on Charger and Battery Pack

In addition to the pictographs used in this manual, the labels on the charger and the battery pack show the following pictographs:



Read instruction manual before use.



Battery charging.



Battery charged.



Battery defective.



Hot/cold pack delay.



Do not probe with conductive objects.



Do not charge damaged battery packs.



Use only with DEWALT battery packs, others may burst, causing personal injury and damage.



Do not expose to water.



Have defective cords replaced immediately.



Charge only between 4° C and 40° C.



LI-ION

Discard the battery pack with due care for the environment.



Do not incinerate the battery pack.



See technical data for charging time.



Only for indoor use.

Package Contents

The package contains:

- 1 Impact Driver
- 1 Charger
- 2 Batteries
 - 1 Impact rated screwdriver bit
- 1 Instruction manual
- 1 Belt hook
- 1 Belt hook screw

NOTE: Battery packs and chargers are not included with N-models.

- Check for damage to the tool, parts or accessories which may have occurred during transport.
- Take the time to thoroughly read and understand this manual prior to operation.

Description (fig. 1)



WARNING: Never modify the power tool or any part of it. Damage or personal injury could result.

- Trigger switch
- Forward/reverse button
- Chuck collar
- 1/4" (6.35 mm) hex quick-release chuck
- Battery release button
- Battery pack
- Worklight
- Main handle
- Belt hook screw
- Belt hook

INTENDED USE

These impact wrench/drivers are designed for professional impact screwdriving applications. The impact function makes this tool particularly useful for driving fasteners in wood, metal and concrete.

DO NOT use under wet conditions or in presence of flammable liquids or gases.

This impact wrench/driver is a professional power tool.

DO NOT let children come into contact with the tool. Supervision is required when inexperienced operators use this tool.

- This product is not intended for use by persons (including children) suffering from diminished physical, sensory or mental abilities, or for lack of experience and/or for want of knowledge or skills unless they are supervised by a person responsible for their safety. Children should never be left alone to play with this product.

Belt Hook (Optional Accessory)



WARNING: To reduce the risk of serious personal injury, place the forward/reverse button in the lock-off position or turn tool off and disconnect battery pack before making any adjustments or removing/installing attachments or accessories.



WARNING: To reduce the risk of serious personal injury, DO NOT suspend tool overhead or suspend objects from the belt hook. ONLY hang tool's belt hook from a work belt.



WARNING: To reduce the risk of serious personal injury, ensure the screw holding the belt hook is secure.

IMPORTANT: When attaching or replacing the belt hook, use only the screw (l) that is provided. Be sure to securely tighten screw.

The belt hook (J) can be attached to either side of the tool using only the screw (l) provided, to accommodate left- or right- handed users. If the hook is not desired at all, it can be removed from the tool.

To move belt hook, remove the screw (l) that holds the belt hook in place then reassemble on the opposite side. Be sure to securely tighten screw.

Electrical Safety

The electric motor has been designed for one voltage only. Always check that the battery pack voltage corresponds to the voltage on the rating plate. Also make sure that the voltage of your charger corresponds to that of your mains.



Your DEWALT charger is double insulated in accordance with EN 60335; therefore no earth wire is required.

If the supply cord is damaged, it must be replaced by a specially prepared cord available through the DEWALT service organisation.

Using an Extension Cable

An extension cord should not be used unless absolutely necessary. Use an approved extension cable suitable for the power input of your charger (see technical data). The minimum conductor size is 1 mm²; the maximum length is 30 m.

When using a cable reel, always unwind the cable completely.

ASSEMBLY AND ADJUSTMENTS



WARNING: Prior to assembly and adjustment, always remove the battery pack. Always switch off the tool before inserting or removing the battery pack.



WARNING: Use only DEWALT battery packs and chargers.

Inserting and Removing the Battery Pack from the Tool (fig. 2)



WARNING: To reduce the risk of serious personal injury, place the forward/reverse button in the lock-off position or turn tool off and disconnect battery pack before making any adjustments or removing/installing attachments or accessories.

NOTE: Make sure your battery pack (f) is fully charged.

TO INSTALL THE BATTERY PACK INTO THE TOOL HANDLE

1. Align the battery pack with the rails inside the handle.
2. Slide it firmly into place until you hear the lock snap into place.

TO REMOVE THE BATTERY PACK FROM THE TOOL

1. Press the release button (e) and firmly pull the battery pack out of the tool handle.
2. Insert battery pack into the charger as described in the charger section of this manual.

OPERATION

Instructions for Use



WARNING: Always observe the safety instructions and applicable regulations.



WARNING: To reduce the risk of serious personal injury, place the forward/reverse button in the lock-off position or turn tool off and disconnect battery pack before making any adjustments or removing/installing attachments or accessories.

Proper Hand Position (fig. 1, 6)



WARNING: To reduce the risk of serious personal injury, **ALWAYS** use proper hand position as shown.



WARNING: To reduce the risk of serious personal injury, **ALWAYS** hold securely in anticipation of a sudden reaction.

Proper hand position requires one hand on the main handle (h).

Variable Speed Trigger Switch (fig. 1)

To turn the tool on, squeeze the trigger switch (a). To turn the tool off, release the trigger switch. Your tool is equipped with a brake. The chuck will stop when the trigger switch is fully released.

The variable speed switch enables you to start the application at a slow speed. The further you squeeze the trigger, the faster the tool will operate. For maximum tool life, use variable speed only for starting holes or fasteners.

NOTE: Continuous use in variable speed range is not recommended. It may damage the switch and should be avoided.

Forward/Reverse Control Button (fig. 1)

A forward/reverse control button (b) determines the direction of the tool and also serves as a lock-off button.

To select forward rotation, release the trigger switch and depress the forward/reverse control button on the right side of the tool.

To select reverse, depress the forward/reverse control button on the left side of the tool. The center position of the control button locks the tool in the off position. When changing the position of the control button, be sure the trigger is released.

NOTE: The first time the tool is run after changing the direction of rotation, you may hear a click on start up. This is normal and does not indicate a problem.

Worklights (fig. 1)

There are three worklights (g) located around the chuck collar (c). The worklights will be activated when the trigger switch is squeezed.

NOTE: The worklights are for lighting the immediate work surface and are not intended to be used as a flashlight.

Quick-Release Chuck (Fig. 1, 4)

NOTE: The chuck accepts 1/4" (6.35 mm) hex accessories and 1" (25.4 mm) bit tips only. Using 1" (25.4 mm) bits allows better access in tight spaces.

Place the forward/reverse button (b) in the locked off (center) position or remove battery pack before changing accessories.

To install an accessory, push accessory to fully insert into chuck. The chuck collar does not need to be pulled up to lock accessory in place.

To remove an accessory, pull the chuck collar away from the front of the tool. Remove the accessory and release the collar.

Usage

Your impact tool generates the following output torque:

DCF815	Ft.-Lbs.	In.-Lbs.	Nm
DCF815	79	950	107



CAUTION: Ensure fastener and/or system will withstand the level of torque generated by the tool. Excessive torque may cause breakage and possible personal injury.

1. Place the socket on the fastener head. Keep the tool pointed straight at the fastener.
2. Press switch to start operation. Always check torque with a torque wrench, as the fastening torque is affected by many factors including the following:
 - **Voltage:** Low voltage, due to a nearly discharged battery, will reduce fastening torque.
 - **Socket size:** Failure to use the correct socket size will cause a reduction in fastening torque.
 - **Bolt Size:** Larger bolt diameters generally require higher fastening torque. Fastening torque will also vary according to length, grade, and torque coefficient.
 - **Bolt:** Ensure that all threads are free of rust and other debris to allow proper fastening torque.
 - **Material:** The type of material and surface finish of the material will affect fastening torque.
 - **Fastening Time:** Longer fastening time results in increased fastening torque. Using a longer fastening time than recommended could cause the fasteners to be overstressed, stripped or damaged.

MAINTENANCE

Your DEWALT power tool has been designed to operate over a long period of time with a minimum of maintenance. Continuous satisfactory operation depends upon proper tool care and regular cleaning.



WARNING: To reduce the risk of serious personal injury, place the forward/reverse button in the lock-off position or turn tool off and disconnect battery pack before making any adjustments or removing/installing attachments or accessories.

The charger and battery pack are not serviceable. There are no serviceable parts inside.



Lubrication

Your power tool requires no additional lubrication.



Cleaning



WARNING: Blow dirt and dust out of the main housing with dry air as often as dirt is seen collecting in and around the air vents. Wear approved eye protection and approved dust mask when performing this procedure.



WARNING: Never use solvents or other harsh chemicals for cleaning the non-metallic parts of the tool. These chemicals may weaken the materials used in these parts. Use a cloth dampened only with water and mild soap. Never let any liquid get inside the tool; never immerse any part of the tool into a liquid.

CHARGER CLEANING INSTRUCTIONS



WARNING: Shock hazard. Disconnect the charger from the AC outlet before cleaning. Dirt and grease may be removed from the exterior of the charger using a cloth or soft non-metallic brush. Do not use water or any cleaning solutions.

Optional Accessories



WARNING: Since accessories, other than those offered by DEWALT, have not been tested with this product, use of such accessories with this tool could be hazardous. To reduce the risk of injury, only DEWALT, recommended accessories should be used with this product.

Consult your dealer for further information on the appropriate accessories.

Protecting the Environment



Separate collection. This product must not be disposed of with normal household waste.



Should you find one day that your DEWALT product needs replacement, or if it is of no further use to you, do not dispose of it with household waste. Make this product available for separate collection.



Separate collection of used products and packaging allows materials to be recycled and used again. Re-use of recycled materials helps prevent environmental pollution and reduces the demand for raw materials.

Local regulations may provide for separate collection of electrical products from the household, at municipal waste sites or by the retailer when you purchase a new product.

DEWALT provides a facility for the collection and recycling of DEWALT products once they have reached the end of their working life. To take advantage of this service please return your product to any authorised repair agent who will collect them on our behalf.

You can check the location of your nearest authorised repair agent by contacting your local DEWALT office at the address indicated in this manual. Alternatively, a list of authorised DEWALT repair agents and full details of our after-sales service and contacts are available on the Internet at: www.2helpU.com.



Rechargeable Battery Pack

This long life battery pack must be recharged when it fails to produce sufficient power on jobs which were easily done before. At the end of its technical life, discard it with due care for our environment:

- Run the battery pack down completely, then remove it from the tool.
- Li-Ion cells are recyclable. Take them to your dealer or a local recycling station. The collected battery packs will be recycled or disposed of properly.

DCF815 10.8伏特无绳冲击扳手

祝贺您！

您已选择了得伟工具。凭借多年的经验和在产品开发和创新方面的不断努力，得伟已经成为专业电动工具用户的可靠伙伴之一。

技术数据

DCF815		
电压	伏	10.8
类型		1
电池类型		锂电池
空载速度	转/分	0-2450
最大扭矩	牛顿米	107
夹头		1/4"(6.35mm)
重量（不含电池组）	千克	0.8
L _{PA} （声压）	分贝	88
K _{PA} （声压不确定度）	分贝	3
L _{WA} （声功率）	分贝	99
K _{WA} （声功率不确定度）	分贝	3

根据EN60745确定振动总值（triax向量和）：

振动发射值 安时		
a _h =	m/s ²	< 7.5
不确定度 K=	m/s ²	1.5

本信息表中所载的振动发射级依据 EN 60745 提供的标准测试测量并且可用于另一个工具与其他工具的比较。它可用于噪音的初步评估。



警告：声明的振动发射级适用于工具的主要应用。然而，如果该工具用于其他应用、使用不同的附件或保养不当，则振动发射可能会有所不同。这可能会大幅度提高总工作期间的噪音级。

在关闭工具电源或当运行中的工具实际上并未工作时，也应考虑到其噪音级或振动。这可能会大幅度降低总工作期间的噪音级。

确定额外的安全措施以保护操作员免受振动影响，例如：保养工具和附件、保持双手温暖、组织工作模式。

电池组		DCB121	DCB123
电池类型		锂离子	锂离子
电压	伏	10.8	10.8
容量	安时	1.3	1.5
重量	千克	0.2	0.2

充电器		DCB100	DCB105
电源电压	伏	220	220
电池类型		锂离子	锂离子
大约充电时间	分钟	40	40
		(1.3安时 电池组)	(1.5安时 电池组)
		30	30
		(1.3安时 电池组)	(1.5安时 电池组)
重量	千克	0.3	0.49

定义：安全准则

下列定义解释了各标志术语的严重程度。请仔细阅读本手册并注意这些标志。



危险：表示紧急的危险情形，如不加以阻止，将导致死亡或严重伤害。



警告：表示潜在的危险情形，如不加以阻止，可能导致死亡或严重伤害。



注意：表示潜在的危险情形，如不加以阻止，可能导致轻度或中度伤害。

注意：表示与人身伤害无关的情形，如不加以阻止，可能导致财产损失。



表示有触电危险。



表示火灾危险。



警告：为降低伤害风险，请阅读使用手册。

电动工具一般安全警告



警告！请阅读所有安全警告和守则。不遵循下列的警告和守则可能会导致触电、火灾和/或严重伤害。

请保存好所有警告和守则
以备将来查阅

警告中的术语“电动工具”是指电源驱动（有线）电动工具，或者电池驱动（充电）电动工具。

1) 工作区域安全

- a) **保持工作区域清洁、通亮。**混乱或黑暗的场地会引发事故。
- b) **不要在易燃液体、气体或粉尘等存在的易爆环境中操作电动工具。**电动工具产生的火花会点燃粉尘或气体。
- c) **操纵电动工具时请让儿童和旁观者离开。**分心会使你放松控制。

2) 电气安全

- a) **电动工具的插头必须与插座相配。切勿以任何方式改装插头。需接地的电动工具不能使用任何转换插头。**未经改装的插头和相配的插座将减少触电危险。
- b) **避免人体接触接地表面，如管道、散热片、炉灶和冰箱等。**如果您的身体接地会增加触电危险。
- c) **不得将电动工具暴露在雨中或潮湿环境中。**水进入电动工具将增加触电危险。
- d) **不得滥用电源线。绝不能用电线搬运、拉动电动工具或拔出其插头。让电线远离热、油、锐边或运动部件。**受损或缠绕的电线会增加触电危险。
- e) **在户外使用电动工具时，使用适合户外使用的外接电线。**适合户外使用的电线将减

少触电危险。

- f) **如果必须在潮湿场合使用电动工具，请使用漏电保护器(RCD)。**使用RCD可降低触电危险。

3) 人身安全

- a) **保持警觉。**操作电动工具时，关注所从事的操作并保持清醒。切勿在疲倦、药物、酒精或治疗反应的情况下操作电动工具。操作电动工具期间精力分散会导致严重人身伤害。
- b) **使用安全装置。始终佩戴护目镜。**安全装置，诸如适当条件下的防全面具、防滑安全鞋、安全帽或听力保护等装置能减少人身伤害。
- c) **避免意外启动。连接电源和/或电池组、拿起或搬动电动工具之前，请确保开关处于 off（关断）位置。**手指放在开关上搬运电动工具，或开关处于接通状态时插入插头均可引发危险。
- d) **在电动工具接通之前，取下所有调整键或扳手。**遗留在电动工具旋转零件上的扳手可能会导致人身伤害。
- e) **手不要伸得太长。时刻注意脚下和身体平衡。**这样在意外情况下才能更好地控制电动工具。
- f) **着装适当。不要穿宽松衣服或佩戴饰品。让您的头发、衣服和手套远离运动部件。**宽松衣服、佩饰或长发可能会卷入运动部件。
- g) **如果提供了与排屑装置、除尘设备连接的装置，请确保他们连接完好且使用得当。**使用这些装置可减少粉尘引起的危险。

4) 电动工具使用以及注意事项

- a) **不要强制使用电动工具。根据用途使用适当的电动工具。**选用设计额值的适当电动工具会让您更有效、更安全地执行工作。

- b) **工具开关不能接通或关断电源时，请勿使用工具。**不能用开关来控制的电动工具是危险的且必须进行修理。
- c) **在进行任何调节、更换附件或存放工具之前，必须从电源上拔掉插头和/或取下电池组。**这种防护性措施将降低电动工具意外启动的风险。
- d) **将闲置的电动工具存放在儿童所及范围之外，并且不要让不熟悉电动工具或对这些使用须知不了解的人操作电动工具。**电动工具在未经培训的用户手中会发生危险。
- e) **保养电动工具。检查运动部件是否对正或卡住，检查零件破损情况以及是否存在影响电动工具运行的其它情况。如有损坏，必须在使用前修理电动工具。**许多事故原因都是电动工具电瓶不良。
- f) **保持刀具锋利和清洁。**保养良好、切削锋利的刀具不易卡住而且更易于控制。
- g) **按照使用说明书以及作业条件和具体进行的工作使用电动工具、附件和工具刀头等。**电动工具用于设计之外的目的时，可能发生危险。

5) 电池工具使用以及注意事项

- a) **只能使用制造商指定的充电器为电池充电。**使用一种电池组的适用充电器为其它类型的电池组充电，会造成火灾危险。
- b) **电动工具只能配备明确指定的电池组。**使用其它类型的电池组会造成人身伤害和火灾危险。
- c) **电池组放置不用时，要远离回形针、硬币、钥匙、钉子、螺丝以及其它可连通电池两极的金属物品。**将电池两极短路会造成灼伤或火灾。
- d) **滥用电池的情况下，液体会从电池中喷出；要避免与液体接触。如果不小心接触到液体，要用清水冲洗。如果液体喷溅到眼睛**

上，冲洗之后还要进行治疗。从电池喷出的液体会刺激皮肤或造成灼伤。

6) 维修

- a) **本电动工具必须由合格的保养人员维修，并采用相同的备件。**这将确保电动工具的安全性。

电钻/起子/冲击钻附加安全细则

- 如果在执行操作时钻具可能会接触隐藏的电线，请握住绝缘手柄表面。钻具如果接触到“带电”导线，电动工具金属部件表面就会“带电”并使操作人员触电。

残余风险

尽管遵守相关安全规章并采用安全装备，一些残余风险是不可避免的，

它们是：

- 听力损伤。
- 更换附件时扭伤手指的风险。
- 吸入在木材钻孔时产生的粉尘所导致的健康风险。
- 飞散颗粒的人身伤害风险。
- 长时间使用导致的人身伤害风险。

工具上的标识

本工具上有下列图形：



使用前阅读使用手册。

日期码的位置

包含制造年份的日期码印在工具外壳上，位置介于工具和电池之间的接合处。

例如：

2011 XX XX
制造年份

适用于所有电池充电器的重要安全守则

请妥善保管好这些说明： 本手册含有适用于 DCB100 和 DCB105 电池充电器的重要安全和操作守则。

- 使用充电器之前，请阅读充电器、电池组以及使用电池组的产品的所有守则和注意标示。



警告： 触电危险。切勿使任何液体进入充电器。这可能导致触电。



注意： 灼伤危险。要降低受伤的风险，只使用得伟充电式电池充电。其他类型的电池可能会爆裂，导致人身伤害和损害。



注意： 请看护儿童，确保他们不摆弄本工具。

注意： 在某些情况下，当充电器的插头插入电源插座时，充电器内部裸露的充电接触点可能因为外来物件而短路。带有导电性质的外来物件，包括但不限于，例如钢材、木材、铝箔或任何金属颗粒堆积物等都不应出现在充电器内。当槽中不含电池组时，始终断开充电器的电源连接。尝试清洁之前请拔下充电器电源线。

- 切勿尝试使用本手册说明以外的任何充电器为电池组充电。充电器和电池组经特别设计以便配合工作。
- 除了为得伟充电式电池充电以外，这些充电器并非设计用于其他用途。任何其他用途可能导致火灾、触电或电击的风险。
- 不得将充电器暴露在雨或雪中。
- 断开充电器连接时应拔下插头，切勿拉拽电线。这将减低对电插头和电源线的损害风险。
- 确保电源线布置在不易踩踏、踢绊、拉扯或会受到损害或压力的位置。
- 不得使用延长电源线，除非有绝对的必要。使用不正确的延长电源线可能导致火灾、触电或电击的风险。
- 不得将任何物件放在充电器顶端或将充电器置放在软表面上，这可能阻挡通风槽和导致内部过热。将充电器置放在远离任何热源的位置。充电器外壳顶端和底端具有通风槽。
- 操作充电器时，不得使用损坏的电源线或插头 — 必须立即将其更换。
- 若充电器遭受重击、掉落或因任何方式引起的损坏，切勿操作该充电器。将它送往授权的检修中心。
- 不得拆卸充电器；在需要检修或维修时将它送往授权的检修中心。错误的重装可能导致触电、电击或火灾的风险。
- 为避免发生危险，电源线一旦损坏，必须立即联系厂商、服务代理或类似有资质的人员更换。
- 尝试进行任何清洁之前将充电器从插座上断开。这将降低触电的风险。取出电池组将不会降低此风险。
- 禁止尝试将两个充电器连接在一起。
- 充电器设计用于采用220V家用电源操作。不得尝试使用任何其他电压操作。上述不适用于车用充电器。

请妥善保管好这些说明

充电器

DCB100和DCB105充电器接受10.8 V锂离子电池。这些充电器无需调整，专为简易操作而设计。

充电程序（图2）

1. 安装电池组之前，将充电器(k)插头插入适当的插座。
2. 将电池组(f)插入充电器。红色（充电中）指示灯将持续闪烁，表示已开始充电程序。
3. 充电完成时将会以持续亮起的红色指示灯表示。电池组已完全充电，已可以使用或留在充电器中。

注意：为了确保锂离子电池的效能和使用寿命最大化，在首次使用电池组之前必须将它完全充电。

充电程序

有关电池组的充电状态，请参阅下表。

充电状态	
充电中	- - - -
已完全充电	————
热/冷电池组延迟	— - — -
替换电池组	●●●●●●●●
出错	●●●●●●

热/冷电池组延迟

当充电器检测到电池过热或过冷，它会自动开始“热/冷电池组延迟”，中止充电直到电池恢复适当的温度。然后充电器会自动切换至电池组充电模式。此功能确保最长的电池使用寿命。

仅限锂离子电池组

锂离子电池具有“电子保护系统”设计，可保护电池免受过载、过热或过度放电之害。

如果“电子保护系统”激活，将会自动关闭工具。

如果出现此情况，将

锂离子电池放在充电器上直至它完全充电。

适用于所有电池组的重要安全守则

在订购替换电池组时，请提供产品目录号和电压。从包装箱取出的电池组并非完全充电。使用电池组和充电器之前，请阅读下列安全守则。然后遵循所述的充电程序。

请阅读所有守则

- 不要在易燃液体、气体或粉尘等存在的易爆环境中充电或使用电池。在充电器中插入或取出电池会点燃粉尘或气体。
- 勿将电池强行放入充电器。不得以任何方式改动电池来放入不兼容的充电器，否则电池会破裂并导致严重的人身伤害
- 电池组只可在得伟充电器中充电。
- 切勿喷溅或沉浸在水或其他液体中。
- 勿在温度达到或超过40° C (105° F)（例如夏天的室外凉棚或金属建筑物）存放或使用电池组。



危险：不论基于任何理由，都不要尝试打开电池组。如果电池组外壳破裂或受损，不要将它插入充电器。不得挤压、掉落或损坏电池组。

若电池组或充电器遭受重击、掉落、被碾过或因任何方式引起的损坏（例如，指甲刺破、锤子打击、踩踏），切勿操作该电池组或充电器。这可能导致触电或电击。损坏的电池组应送返检修中心再循环利用。



注意：放置不用时，将工具侧放在平稳的表面上，确保不会导致踢绊或掉落的风险。一些具有大型电池组的工具的电池组可以直立但可能会轻易被撞倒。

锂离子的附加安全守则(Li-Ion)

- 不论电池组是严重受损或完全损坏，切勿焚化电池组。电池组会在火中爆炸。锂离子电池在燃烧时会释放有毒烟雾和物质。
- 如果皮肤接触到电池内含物质，应立即用温和肥皂和水清洗。如果电池液沾到眼睛，应睁开眼睛用清水冲洗至少15分钟或直到眼睛不会感到刺激为止。若需要医疗帮助，电池电解液是由液状有机碳酸盐和锂盐混合组成的。
- 已打开电池的内含物质可能导致呼吸道刺激。提供新鲜空气。如果症状持续，请寻求医疗帮助。



警告：灼伤危险。如果暴露在火花或火焰中，电池液可能会燃烧。

电池组 电池类型

DCF815采用10.8 伏特的电池组操作。

储存建议

1. 最佳的储存地点应凉爽干燥，远离直射阳光和热源或冷源的位置。为了优化电池的效能和使用寿命，在不使用时应将电池组存放在室温环境。
2. 欲长期存放，建议将已完全充电的电池组从充电器取出，存放在凉爽、干燥的地点，以确保最佳效能。

注意：电池组不应在电池耗尽的情况下存放。在使用之前，电池组必须重新充电。

充电器和电池组上的标签

除了本手册中使用的图形符号外，充电器和电池组上的标签会显示下列图形符号：



使用前阅读使用手册。



电池充电中。



电池已充电。



电池故障。



热/冷电池组延迟。



切勿插入任何导电物件。



不要对损坏的电池组充电。



只能使用得伟电池组，使用其他电池组可能会爆裂，导致人身伤害和损害。



不要暴露在水中。



应立即替换故障的电源线。



只在介于4° C和40° C的环境中充电。



弃置电池组时，请妥善处理以保护我们的环境。



切勿焚化电池组。



充电时间请参阅技术数据。



仅限室内使用。

包装内容

本包装含有：

- 1台冲击起子机
- 1台充电器
- 2块电池
- 1支额定冲击起子头
- 1本使用手册
- 1个皮带钩
- 1个皮带钩螺钉

注意：N-型号不包括电池组和充电器。

- 检查工具、部件或附件是否在运输过程中损坏。
- 使用前，请抽空彻底阅读并掌握本手册内容。

说明（图1）



警告：切勿修改本电动工具或其任何部件。否则，可能造成人身伤害或工具损坏。

- a. 触发开关
- b. 正/反转按钮
- c. 夹头轴环
- d. 1/4英寸（6.35毫米）六角快速释放夹头
- e. 电池释放按钮
- f. 电池组
- g. 工作灯
- h. 主手柄
- i. 皮带钩螺钉
- j. 皮带钩

预期用途

这些冲击扳手/起子机的设计用途是专业冲击拧螺丝。其冲击功能特别适用于在木材、金属及混凝土中安装紧固件。

不得在潮湿或存在易燃液体、气体的环境中使用本工具。

本冲击扳手起子机属于专业的电动工具。

不得让儿童接触本工具。无使用经验的人必须在监督下使用。

皮带钩（备选配件）



警告：为避免严重人身伤害，在进行任何调整、拆/装附件或配件之前，请将正/倒转按钮置于锁定位置，或者关闭工具并取下电池组。



警告：为避免严重人身伤害，禁止将工具悬空或使用皮带钩悬挂其它物体。皮带钩仅可悬挂于工作皮带上。



警告：为避免严重人身伤害，请确保固定皮带钩的螺钉牢固可靠。

重要提示：安装或更换皮带钩时，仅可使用随工具提供的螺钉(I)。请确保螺钉牢牢紧固。仅可使用随工具提供的螺钉(I)，把皮带钩(J)连接到工具的任一侧，无论是惯用右手或左手的人均可方便使用。如果根本不需要皮带钩，可从工具上取下。

要取下皮带钩，取下紧固螺钉(I)，然后重新组装到另一侧上。请确保拧紧螺钉。

电气安全性

电动马达仅设计为一种电压。请务必检查电池组电压是否与铭牌一致。请确保您的充电器电压与您的主电源一致。



您的得伟充电器依据EN 60335进行双重绝缘，因此无须接地线。

如果电源线损坏，必须采用得伟维修机构提供的专用线。

使用延长线

仅在绝对必要时使用延长线。使用的延长线必须经过批准并满足您充电器的功率输入（见“技术参数”）要求。最小导体面积为1平方毫米，最大长度为30米。

使用电缆卷筒时，请确保电缆完全展开。

组装与调整



警告：组装与调整之前，必须取出电池组。插入或取出电池组之前，请关闭工具电源。



警告：只能使用得伟电池组和充电器。

插入或取出工具上的电池组

(图2)



警告：为降低严重的人身伤害风险，在进行任何调整或取出/安装附加装置或附件之前，请关闭工具电源和断开电池组连接。意外启动容易造成人身伤害。

注意：请确保您的电池组(f)已完全充电。

要将电池组安装在工具手柄中

1. 将工具底座与工具手柄内的凹口对齐
2. 将电池组稳定滑入手柄中直至它锁定到位。

要从工具中取出电池组

1. 按下释放按钮(e)，然后稳定地将电池组从工具手柄中拉出。
2. 按照本手册中“充电器”一节所述，将电池组装入充电器。

操作 使用说明



警告：请始终遵守安全守则以及适用规则的要求。



警告：为降低严重的人身伤害风险，在进行任何调整或取出/安装附加装置或附件之前，请关闭工具电源和断开工具电源连接。

正确手部位置 (图1,6)



警告：为降低严重的人身伤害风险，始使用正确的手部位置。



警告：为降低严重的人身伤害风险，始终紧握工具预防意外事件。

正确的手部位置要求一只手握住主手柄 (e)。

变速开关 (图1)

要开启工具电源，压下触发开关(a)。要关闭工具电源，则释放触发开关(a)。您的工具配备制动器。当触发开关被完全释放时，夹头将立即停止。

注意：不建议持续使用变速。它可能会损坏开关，应加以避免。

正反转控制按钮 (图1)

正反转控制按钮(b)可确定工具方向，并且也可锁定按钮使用。

要选择向前旋转，释放触发按钮然后将正反转控制按钮按压至工具右边。

要选择向后旋转，释放触发按钮然后将正反转控制按钮按压至工具左边。

控制按钮的中间位置将把工具锁定在关闭位置。在更换控制按钮的位置时，请确定已释放触发按钮。

注意：更换旋转方向后首次运行工具时，您肯能会在启动时听到咔哒声。这是正常现象，而且并不表示出现问题。

工作灯 (图1)

工作灯(g)位于触发按钮(c)上方。工作灯将在按压处罚按钮时被启动。

注意：工作灯用于照明直接的工作表面，并非设计作为闪光灯使用。

快速释放夹头（图1，4）

说明：夹头仅可使用1/4英寸（6.35毫米）六角头配件或1英寸（25.4毫米）起子头。1英寸（25.4毫米）起子头便于在狭小空间内使用。

在更换配件前，将正/倒转按钮（b）置于锁定（中心）位置，或者取下电池组。

要安装配件，将配件完全插入夹头即可。不必拉起夹头轴环来锁定配件。

要取下配件，把夹头轴环拉离工具前部，取下配件后释放轴环。

使用方法

本冲击工具可产生如下输出扭矩：

DCF815	Ft.-Lbs.	In.-Lbs.	牛顿米
DCF815	79	950	107



注意：请确保紧固件和/或系统能够承受工具产生的扭矩。扭矩过大会引起断裂，也可能导致人身伤害。

1. 将插槽置于紧固件头部。工具保持指向紧固件。
2. 按下开关启动工具。务必检查扭矩扳手的扭矩，因为紧固扭矩受诸多因素影响，包括如下内容：
 - **电压：** 电池电量即将用尽时会出现低电压，进而降低紧固扭矩。
 - **插槽尺寸：** 如果尺寸不正确，会降低紧固扭矩。
 - **螺栓尺寸：** 较大的螺栓直径通常需要较大扭矩。紧固扭矩还将随长度、等级及扭矩系数的不同而变化。
 - **螺栓：** 确保所有螺纹无锈蚀或其它碎屑，以便达到正确的紧固扭矩。
 - **材料：** 材料类型和表面粗糙度会影响紧固扭矩。
 - **紧固时间：** 紧固时间越长，紧固扭矩越大。如果紧固时间超过建议时间，会导致紧固件过应力、剥离或损坏。

保养

您的得伟电动工具设计精良，可以长期使用，仅需极少维护。要连续获得令人满意的工作效果，需要您进行正确的保养和定期的清洁。



警告： 为降低严重的人身伤害风险，在进行任何调整或取出/安装附加装置或附件之前，请关闭工具电源和断开电池组连接。意外启动容易造成人身伤害。

充电器和电池组不是可检修的器具。充电器和电池组内不含可检修的部件。



润滑

本电动工具无须另行润滑。



清洁



警告： 一旦通风口及其周围积聚可见的粉尘，请即用干燥的压缩空气吹走主机外壳内的粉尘和灰尘。进行这一步骤时，请佩戴经认可的护目装备和认可的面罩。



警告： 切勿使用溶剂或其它刺激性化学品来清洁工具的非金属部件。这些化学品可能削弱零件中使用的材料。只能使用抹布蘸中性肥皂水进行清洁。勿使任何液体进入工具；勿使工具的任何部分浸入液体中。

充电器清洁说明



警告： 触电危险。清洁之前将充电器从交流电插座上断开。使用软布或非金属软刷，去除充电器外部的污垢和油脂。请勿使用水或任何清洁剂。

附件的选择



警告：由于非得伟附件未经本产品匹配测试，本工具若使用此类附件，将存在隐患。为降低人身伤害风险，本产品仅可使用得伟推荐的附件。

请向零售商咨询合适附件的更多信息。

保护环境



个别收集。本产品必须与一般家庭废物分开处理。

如果您发现您的得伟产品需要进行替换，或您已经不再需要使用这些产品，请不要将它们与家庭废物一起处理。务必将本产品送往个别收集处。



个别收集用过的产品和包装允许材料再循环利用。重新使用循环利用的材料有助于防止环境污染，并减少原始材料的需求。

当您购买新产品时，可能提供从家用、城市垃圾站或通过零售商个别收集电气产品的当地法规。

得伟提供设施收集和再循环利用使用寿命到期的得伟产品。要利用这项服务，请将您的产品送往任何授权的维修代理，他们将协助我们收集这些回收产品。

要查询最靠近您的授权维修代理，您可联络本手册中所载的

您当地的得伟办事处。您也可以通过网站获得授权的得伟维修代理列表以及我们售后服务与联络人的完整详情，网站：

www.2helpU.com



充电式电池组

此长寿命电池组在它无法如以往般提供足够电源完成类似工作时应重新充电。在电池技术寿命结束时，请妥善处理以保护我们的环境。

- 使电池组完全放电，然后将它从工具中取出。
- 锂离子、镍镉和镍氢电池可再循环利用。请将它们送往您的代理商或当地的回收站。收集的电池组将会再循环利用或正确处理。

DCF815 10.8 伏特無繩衝擊扳手

恭喜！

感謝您選擇得偉工具。憑藉多年的經驗以及全面的產品發展與創新，得偉已成為專業電動工具使用者最值得信賴的夥伴之一。

技術資料

DCF815		
電壓	伏	10.8
類型		1
電池類型		鋰電池
空載速度	轉/分	0-2450
最大扭矩	牛頓米	107
夾頭		1/4" (6.35 mm)
重量 (不含電池組)	千克	0.8
<hr/>		
L _{PA} (聲壓)	分貝	88
K _{PA} (聲壓不確定度)	分貝	3
L _{WA} (聲功率)	分貝	99
K _{WA} (聲功率不確定度)	分貝	3

根據EN60745確定振動總值 (triax向量和)：

振動發射值 安時		
a _h =	m/s ²	7.5
不確定度 K =	m/s ²	1.7

本資訊表中的振動振幅根據EN 60745標準所述的標準測驗方法來測量，並且可以用於比較不同工具的振動振幅。該數值也可以用來初步評估暴露水平。



警告： 資訊表中的振動振幅僅反映工具在主要用途中的振動。然而，如果工具用於不同用途，使用不同配件或維護不良，其振幅將可能有所不同。操作人員在總體的工作週期中所受到的暴露水平也可能會大幅提高。

在評估暴露水平時，還應考慮工具關閉或空轉的時間。這將能大幅降低操作人員在總體的工作週期中所受到的暴露水平。

採取其他安全措施以保護操作人員免受振動的影響，例如：維護工具和配件、手部保暖、安排合理的工作時間。

電池組			
		DCB121	DCB123
電池類型		鋰離子	鋰離子
電壓	伏	10.8	10.8
容量	安時	1.3	1.5
重量	千克	0.2	0.2

充電器			
		DCB100	DCB105
電源電壓	伏	110	110
電池類型		鋰離子	鋰離子
大約充電時間	分鐘	40 (1.3 Ah 電池組)	40 (1.5 Ah 電池組)
		30 (1.3 Ah 電池組)	30 (1.5 Ah 電池組)
重量	千克	0.3	0.49

定義：安全準則

下列定義描述每個標誌術語的嚴重程度。請仔細閱讀本手冊並注意這些標誌。



危險： 標示緊急的危險情形，若不加以避免，將導致死亡或嚴重傷害



警告： 標示潛在的危險情形，若不加以避免，可能導致死亡或嚴重傷害



小心： 標示潛在的危險情形，若不加以避免，可能導致輕度或中度傷害
注意： 標示該操作不會導致人身傷害，但若不加以避免，可能導致財產損失。



標示有觸電危險。



標示有火災危險。



警告：若要降低傷害風險，請閱讀使用手冊。

電動工具一般安全規則



警告！請閱讀所有安全警告和指示。不遵循警告和指示可能會導致觸電、火災和/或嚴重傷害。

請妥善保存所有的警告和指示以備將來查閱

下列所有警告中的名詞「電動工具」是指電源驅動（插電）電動工具，或者電池驅動（充電）電動工具。

1) 工作場地安全

- 保持工作場地清潔和明亮。**混亂或黑暗的場地會引發事故。
- 不要在易爆環境，如有易燃液體、氣體或塵埃的環境中操作電動工具。**電動工具產生的火花會點燃塵埃或氣體。
- 請等待兒童和旁觀者離開之後才操縱電動工具。**分心會導致您疏於控制。

2) 電力安全

- 電動工具插頭必須與插座相符。**切勿以任何方式改裝插頭。需接地的電動工具不能使用任何配接器插頭。未經改裝的插頭和相符的插座可以減少觸電危險。
- 避免人體接觸接地表面，如管道、散熱片、爐灶和冰箱。**若您的身體接地可增加觸電危險。
- 不得將電動工具暴露在雨中或潮濕環境中。**水進入電動工具會增加觸電危險。
- 請勿濫用電線。**切勿使用電線來搬運、拉動電動工具或拔出插頭。讓電線遠離熱、油、銳邊或活動部件。受損或纏繞的電線可增加觸電危險。

- 若要在戶外使用電動工具，請使用適合戶外使用的延長電線。**使用適合戶外使用的電線可減少觸電危險。
- 若必須在潮濕場合使用電動工具，請使用漏電保護器(RCD)。**使用RCD可降低觸電危險。

3) 人身安全

- 保持警覺；在操作電動工具時，請留意所執行的操作並按照一般的程式執行。**切勿在疲倦，或受到藥物、酒精或治療的影響下操作電動工具。操作電動工具期間注意力分散會導致嚴重人身傷害。
- 使用個人防護裝置。始終佩戴護目鏡。**防護裝置，例如在適當條件下可使用的防塵面具、防滑安全鞋、安全帽或聽力保護等裝置可減少人身傷害。
- 避免意外啟動。連接電源/或電池組、檢取或搬運電動工具之前，請確定開關處於off（關閉）位置。**搬運電動工具時若將手指放在開關上，或是在接通開關電源時插入插頭都會引發危險。
- 接通電動工具之前，請卸下所有的調整鑰匙或扳手。**遺留在電動工具旋轉零件上的扳手或要會導致人身傷害。
- 不要過度伸張雙手。時刻注意腳下和身體的平衡。**如此即可在發生意外的情況下更好地控制電動工具。
- 適當穿著。不要穿寬鬆衣服或佩戴飾品。**讓您的頭髮、衣服和手套遠離活動部件。寬鬆衣服、佩飾或長髮可能會捲入活動部件。
- 若配備用於連接排屑裝置、集塵設備的裝置，請確定正確連接和使用這些裝置。**使用集塵設備可減少與塵埃有關的危險。

4) 電動工具的使用與注意事項

- a) **不要超負荷使用電動工具。**根據您的用途使用適當的電動工具。使用電動工具在其設計可負荷的應用內，會讓您更有效、更安全地執行工作。
- b) **若開關不能開啟或關閉電源，請勿使用該電動工具。**不能用開關來控制的電動工具將存在危險，因此必須進行修理。
- c) **在執行任何調整、更換配件或儲存工具之前，必須從電源上拔掉插頭及/或卸下電池組。**這類防護性措施可降低電動工具意外啟動的風險。
- d) **將閒置的電動工具儲存在兒童無法接觸的地方，並且不要讓不熟悉電動工具或對這些使用指示不瞭解的人員操作電動工具。**電動工具在未經培訓的使用者手中會發生危險。
- e) **維護電動工具。**檢查活動部件是否對準或卡住、破損情況以及是否存在影響電動工具運行的其他情況。若有損毀，必須在使用之前修理電動工具。許多事故都是由於欠缺維護電動工具所導致。
- f) **保持刀具鋒利和清潔。**妥善維護、切削鋒利的刀具不會輕易卡住並可更輕鬆控制。
- g) **遵循使用指示以及工作條件和所要執行的工作使用電動工具、配件和工具刀頭等。**不按照設計目的使用電動工具會導致危險。

5) 電池工具的使用與注意事項

- a) **只能使用製造廠商指定的充電器為電池充電。**使用僅適合一種電池組的充電器為其他類型的電池組充電會導致火災危險。
- b) **請使用原廠的電動工具電池組。**使用其他非原廠的的電池組會導致人身傷害和火災危險。

- c) **不使用電池組時，請將其遠離如迴紋針、硬幣、鑰匙、釘子、螺絲以及其他可連通電池兩極的金屬物品。**將電池兩極短路會導致灼傷或火災。
- d) **濫用電池的情況下，液體會從電池中噴出；避免與液體接觸。**若不小心接觸液體，請用清水沖洗。若液體噴濺到眼睛上，沖洗之後還要進行治療。從電池噴出的液體會刺激皮膚或造成灼傷。

6) 檢修

- a) **本電動工具必須由合格的維修人員並只採用相同的原廠零件來執行檢修。**這將確保電動工具的安全性。

電鑽起子機的附加特殊安全規則

- **執行操作時扣件可能會接觸隱藏的電線，請從絕緣手柄表面握住電動工具。**若扣件接觸到「帶電」導線，電動工具金屬部件表面就會「帶電」，或會導致操作人員觸電。

剩餘風險

即使應用有關的安全規定並採用安全設備，仍然還有一些無法避免的剩餘風險。

這包括：

- 聽力受損。
- 飛散的碎片引起的人身傷害風險。
- 配件在操作時變熱引起的火災風險。
- 長時間使用引起的人身傷害風險。

工具上的標記

您的工具上可能會附帶下列圖示：



使用前請閱讀指示手冊。

日期碼的位置

日期碼也包括製造年份，已經印刷在工具外殼上電池安裝接口的表面上。

範例：

2011 XX XX

製造年份

所有電池充電器的重要安全指示

請保存這些安全指示：本說明書提供有關 DCB100 和 DCB105 充電器重要的安全和操作指示。

- 使用充電器之前，請閱讀充電器、電池組和使用電池組之產品上的所有指示和注意標記。



警告：觸電危險。切勿讓任何液體滲入充電器。否則，可能會導致觸電。



小心：灼傷危險。為了降低傷害風險，請只為為偉充電電池充電。其他類型的電池可能會爆裂，從而導致人身傷害和損害。



小心：必須監督小孩，確保他們沒有耍玩該電器。

注意：在某些情況下，將充電器插入電源供應器時，充電器會因為外來異物而導致短路。應該使具有傳導性質的外來異物遠離電池腔，例如但不限於，粉塵、金屬片、鋼絲絨、鋁箔，或任何金屬微粒的集聚物。當電池腔內沒有電池組時，請務必將充電器插頭從電源供應器拔出。嘗試執行清潔工作之前請將充電器插頭拔出。

- 除了為偉充電電池充電之外，這些充電器不設計用於其他任何用途。任何其他用途可能會導致火災、觸電或電殛的危險。
- 請勿將充電器暴露在雨中或雪中。
- 中斷充電器的電源連接時，請握住插頭將它拉出，而不是拉扯電源線。這將可降低導致電源插頭和電源線損壞的風險。
- 確定將電源線放置在不會被踩踏，或容易受損或承受壓力的地方。
- 除非絕對必要，否則請勿使用延長電線。使用不正確的延長電線會導致火災、觸電或電殛的危險。
- 不要將任何物件放在充電器的上面，或將充電器放在柔軟的表面上，這樣做可能會阻塞通風槽從而導致內部過熱。將充電器放置在遠離任何熱源的地方。充電器透過機殼頂部和底部的槽孔通風。
- 切勿操作電源線或插頭已損壞的充電器——請立即予以更換。
- 切勿操作曾經被猛擊、墜落或在任何形式下損壞的充電器。請將它們送往授權的檢修中心。
- 切勿拆卸充電器；若需要檢修或維修，請將它們送往授權的檢修中心。不正確的拆卸可能會導致觸電、電殛或火災的危險。
- 若電源線損壞，必須讓製造廠商、檢修代理或類似合格人員立即更換以避免發生任何危險。
- 嘗試執行任何清潔工作之前，請將充電器插頭從插座上拔下。這將可以降低觸電危險。取出電池組並不會降低此危險。

- 切勿嘗試將2個充電器連接在一起。
- **充電器設計為在標準的110V 住家電源功率下操作。請勿將它用於任何其他電壓。此項不適用於車輛充電器。**

請妥善保存這些指示

充電器

DCB100和DCB105充電器接受10.8 V鋰離子電池。

這些充電器不需要執行任何調整，且設計便於儘可能簡化操作。

充電步驟（圖2）

1. 插入電池組之前，請將充電器(k)插入適當的插座。
2. 將電池組(f)插入充電器。紅色（充電）指示燈將會連續閃爍，標示充電程序已經開始。
3. 完成充電將以連續亮起的紅色指示燈標示。電池組在此時已完全充電並準備就緒使用或保留在充電器內。

注意：為了確保鋰離子電池的效能和使用壽命最大化，在第一次使用電池組之前必須將它完全充電。

充電程序

電池組充電狀態參照表。

充電狀態	
充電中	- - - -
充電完畢	_____
高/低溫電池組延遲充電	- - - -
更換電池組	●●●●●●●●

高/低溫電池組延遲充電

當充電器偵測到電池過高或過低，則會自動啟動「高/低溫電池組延遲充電」功能，暫停充電，直到電池到達適當的溫度為止。然後，充電器將自動切換到電池組充電模式。此功能可確保最長的電池使用壽命。

僅適用於鋰離子電池組

鋰離子電池使用「電子保護系統」設計，可防止電池超載、過熱或過度放電。

工具會在啟用「電子保護系統」時自動關閉。若發生此情況，請將鋰離子電池放在充電器上直到充電完畢為止。

所有電池組之重要安全指示

訂購更換電池組時，務必提供目錄編號和電壓規格。有關充電器和電池組的相容性，請查看本說明書末尾所附上的圖表。

包裝箱中的電池組並未完全充電。使用電池組和充電器之前，請閱讀下列安全指示。然後根據所述的充電程序進行充電。

請閱讀所有指示

- **不要在易爆環境，如有易燃液體、氣體或塵埃的環境中充電或使用電池組。**在充電器安裝或卸下電池組時，可能會點燃塵埃或氣體。
- **切勿將電池組強制插入充電器。請勿將電池組以任何方式插入不匹配的充電器中，否則可能破裂造成嚴重的人身傷害。**
- 僅使用得偉充電器為電池組充電。
- 切勿將水或其他液體噴濺到電池組上，也不得將電池組浸入其中。
- **不要在溫度可達到或超過40°C（105°F）（例如夏季時的室外棚屋或金屬建築物內）貯存或使用工具和電池組。**



警告：不論任何理由，都不要嘗試打開電池組。如果電池組外殼的裂開或損壞，切勿將其插入充電器中。請勿擠壓、摔落或損壞電池組。如果電池組或充電器已受到猛烈敲擊、摔落、輾壓或受到任何形式的損壞（例如針刺、錘擊和腳踏等），則不得使用。損壞的電池組應退還給維修中心，以便進行迴圈利用。



注意：不使用工具時，將其側放於穩固的表面上，以避免絆倒或摔落的風險。一些工具的電池組外形尺寸較大，可以直立在電池組上，但這卻很容易被打翻。

鋰離子 (LI ION) 電池組之特殊安全指示

- **即使電池組已被嚴重損壞或完全報廢，也不得焚化電池組。**電池組在火中會發生爆炸。焚燒鋰離子電池組將會產生有毒的煙霧和物質。
- **如果電池內的物質接觸到您的皮膚，立即使用中性和清水沖洗有關部位。**如果眼睛接觸到電池液，則睜眼用清水沖洗至少15分鐘或直到刺激症狀消失為止。如果需要求醫，電池電解質為液狀有機碳酸鹽和鋰鹽的混合物。
- **電池打開後，其內含物質可能會刺激呼吸系統。**呼吸新鮮空氣。若症狀持續，則必須求醫。



警告：火災危險。電池液遇火花或火焰可能會燃燒。

電池組

電池類型

DCF815需要10.8伏特電壓的電池組操作。

推薦的儲存措施

1. 最好儲存於涼爽、乾燥處，而且遠離直射陽光和過熱或過冷的地方。為了使電池效能最佳且使用壽命最長，請在不使用電池組時將它儲存在室溫下。
2. 欲長期儲存，建議將電力全滿的電池組從充電器卸下，儲存於涼爽、乾燥處，使電池組效能最佳。

注意：電池組不應在電力耗盡的情況下儲存。在使用之前，電池組必須再次充電。

充電器和電池組上的標籤

除了本手冊中使用的圖畫文字之外，充電器和電池組上的標籤也顯示下列圖畫文字：



請在使用之前閱讀使用手冊。



電池充電中。



電池已充電。



電池有缺陷。



高/低溫電池組延遲充電。



請勿使用導電物件探測。



請不要對損壞的電池組充電。



請使用得偉原廠電池組，其他非原廠可能會爆裂，導致人身傷害和損害。



DCB100 ✓



請勿將電池組暴露在水中。



請勿將電池組暴露在水中。



必須立即更換損壞的電線。



只在環境溫度介於4°C和40°C之間的情況下充電。



請妥善處置損壞的電池組以保護環境。



請勿焚化電池組。



請勿焚化電池組。



如需充電時間的資訊，請參閱技術資料。



如需充電時間的資訊，請參閱技術資料。



僅限於室內使用。

套件內容

本套件包括：

- 衝擊起子機 1個
- 充電器 1個
- 電池 2顆
- 額定衝擊起子頭 1個
- 說明書 1本
- 皮帶鉤 1個
- 皮帶鉤螺釘 1個

注意：N型號不隨附電池組和充電器。

- 檢查工具、部件或配件有否在運送途中損壞。
- 操作前，請詳細地耐心閱讀和掌握本說明書的內容。

描述 (圖1)



警告：切勿修改本工具或其任何部件，否則可能會導致損毀或人身傷害。

- a. 觸發開關
- b. 正/反轉按鈕
- c. 夾頭軸環
- d. 1/4英寸 (6.35毫米) 六角快速釋放夾頭
- e. 電池釋放按鈕
- f. 電池組
- g. 工作燈
- h. 主手柄
- i. 皮帶鉤螺釘
- j. 皮帶鉤

設計用途

本衝擊扳手起子機屬於專業的電動工具。這些衝擊扳手/起子機的設計用途是專業衝擊擰螺絲。其衝擊功能特別適用於在木材、金屬及混凝土中安裝緊固件。

切勿在潮濕有水或存有易燃液體或氣體的環境下使用本工具。

本衝擊扳手起子機屬於專業的電動工具。

切勿讓兒童接觸工具。經驗不足的操作者必須在指導下才可以使本電鑽起子機。

皮帶鉤 (備選配件)



警告：為避免嚴重人身傷害，在進行任何調整、拆/裝附件或配件之前，請把正/倒轉按鈕置於鎖定位置，或者關閉工具並取下電池組。



警告：為避免嚴重人身傷害，禁止將工具懸空或使用皮帶鉤懸掛其它物體。皮帶鉤僅可懸掛於工作皮帶上。



警告：為避免嚴重人身傷害，請確保固定皮帶鉤的螺釘牢固可靠。

重要提示：安裝或更換皮帶鉤時，僅可使用隨工具提供的螺釘(I)。請確保螺釘牢牢緊固。僅可使用隨工具提供的螺釘(I)，把皮帶鉤(J)連接到工具的任一側，無論是慣用右手或左手的人均可方便使用。如果根本不需要皮帶鉤，可從工具上取下。要取下皮帶鉤，取下緊固螺釘(I)，然後重新組裝到另一側上。請確保擰緊螺釘。

電力安全

電動馬達僅設計為一種電壓。請務必檢查電池組電壓是否與銘牌一致。同時確定充電器的電壓符合電源的電壓。



您的得偉充電器依據EN 60335 採用雙重絕緣，因此不需要使用接地線。

若電源線損壞，必須採用得偉檢修機構提供的專用電線來更換。

使用延長電纜

除非絕對必要，否則請勿使用延長電纜。請使用與充電器功率輸入（請參閱技術資料）相符且認可的延長電纜。最小導體大小為1mm²，最大長度為30公尺。

使用電纜捲筒時，請始終保持電纜完全展開。

組裝與調整



警告：每次進行組裝和調整之前，切記取出電池組。放進或取出電池組之前，請務必關掉工具的電源。



警告：只可以使用得偉電池組和充電器。

正確手勢（圖1、6）



警告：為了減低造成嚴重人身傷害的風險，時刻使用圖示的正確手勢。



警告：為了減低造成嚴重人身傷害的風險，時刻緊握工具，避免突然的反作用力動作。

正確手勢包括單手緊握主手柄（e）

從工具放進及取出電池組（圖2）



警告：為了減低造成嚴重人身傷害的風險，在進行任何調整或卸下或安裝附件或配件前，請切記將正/反轉開關撥到「鎖定到關閉」位置，並取出電池組。

注意：請確保電磁組(f)已充電至電力全滿。

將電池組安裝到工具手柄中

1. 將電池組對齊手柄內的鐵軌。
2. 將電池組緊緊地滑入適當位置，直到聽到鎖定到位的聲音。

從工具取出電池組

1. 按下釋放按鈕(e)，將電池組從工具手柄中穩妥地拉出。
2. 按照本說明書有關充電器的章節所述，將電池組放進充電器。

操作

使用說明



警告：請時刻遵守安全指示和適用的規則。



警告：為了減低造成嚴重人身傷害的風險，在進行任何調整或卸下或安裝附件或配件前，請切記將正/反轉開關撥到「鎖定到關閉」位置，並取出電池組。

變速觸發開關（圖1）

若要啟動工具，請緊壓觸發開關(a)。若要把工具關掉，請放開觸發開關。本工具配有制動器，一旦完全鬆開觸發開關，夾頭就會馬上停止。

注意：不建議長期使用變速範圍。這會損壞開關，應當避免。

正/反轉控制按鈕（圖1）

正/反轉控制按鈕(b)決定工具的方向，同時具備鎖定關閉功能。

若要選擇正轉，請放開觸發開關，然後按下工具右邊的正/反轉控制按鈕。

若要選擇反轉，請按下工具左邊的正/反轉控制按鈕。當控制按鈕處於中心位置時，工具會被鎖定在OFF（關閉）位置。要改變控制按鈕的位置時，請確定已經鬆開觸發器。

注意：當您改變轉動方向後第一次操作工具，您會在啟動時聽到卡嗒聲。這是正常現象，不代表工具故障。

工作燈（圖1）

在扭力調整環(g)下設有工作燈(c)。緊壓觸發開關時，工作燈就會亮起。

注意：工作燈用於照亮緊鄰的工作表面，而不是設計作為手電筒。

快速釋放夾頭（圖1，4）

說明：夾頭僅可使用1/4英寸（6.35毫米）六角頭配件或1英寸（25.4毫米）起子頭。1英寸（25.4毫米）起子頭便於在狹小空間內使用。

在更換配件前，將正/倒轉按鈕（b）置於鎖定（中心）位置，或者取下電池組。

要安裝配件，將配件完全插入夾頭即可。不必拉起夾頭軸環來鎖定配件。

要取下配件，把夾頭軸環拉離工具前部，取下配件後釋放軸環。

使用方法

衝擊工具可產生如下輸出扭矩：

DCF815	Ft.-Lbs.	In.-Lbs.	牛頓米
DCF815	79	950	107



注意：請確保緊固件和/或系統能夠承受工具產生的扭矩。扭矩過大會引起斷裂，也可能導致人身傷害。

1. 將插槽置於緊固件頭部。工具保持指向緊固件。
2. 按下開關啟動工具。務必檢查扭矩扳手的扭矩，因為緊固扭矩受諸多因素影響，包括如下內容：
 - **電壓：**電池電量即將用盡時會出現低電壓，進而降低緊固扭矩。
 - **插槽尺寸：**如果尺寸不正確，會降低緊固扭矩。
 - **螺栓尺寸：**較大的螺栓直徑通常需要較大扭矩。緊固扭矩還將隨長度、等級及扭矩係數的不同而變化。
 - **螺栓：**確保所有螺紋無鏽蝕或其它碎屑，以便達到正確的緊固扭矩。
 - **材料：**材料類型和表面粗糙度會影響緊固扭矩。
 - **緊固時間：**緊固時間越長，緊固扭矩越大。如果緊固時間超過建議時間，會導致緊固件過应力、剝離或損壞。

維護

您的得偉電動工具採用卓越的設計，能夠長時間使用，並且只需最少的維護。若要持續獲得滿意的操作效果，需要您進行正確的維護和定期的清潔。



警告：為了降低嚴重人身傷害的風險，請在執行任何調整或者拔下/安裝附件或配件之前，關閉工具並拔下電池組插頭。

充電器和電池組是不可檢修的裝置。充電器和電池組內不含可檢修的部件。



潤滑

本電動工具無須另行潤滑。



清潔



警告：一旦通風口及其周圍積聚可見的塵埃，請立即使用乾燥的壓縮空氣吹掉主機外殼內的塵埃和灰塵。執行此步驟時，請佩戴經認可的護目裝備和認可的面罩。



警告：切勿使用溶劑或其他刺激性化學品來清潔工具的非金屬部件。這些化學品可能削弱零件中使用的材料。只能使用抹布蘸中性肥皂水進行清潔。不要讓任何液體進入工具；不要讓工具的任何部分浸入液體中。

充電器清潔指示



警告：觸電危險。清潔之前，從交流電插座上拔下充電器。使用軟布或非金屬軟刷，去除充電器外部的污垢和油脂。請勿使用水或任何清潔劑。

可選配件



警告：由於非得偉配件未經本產品匹配測試，使用此類配件可能存在隱患。為降低人身傷害風險，本產品僅可使用得偉推薦的配件。

如需關於適當配件的詳細資訊，請洽詢您的代理商。

保護環境



個別收集。本產品必須與一般家庭廢物分開處置。

若您發現您的得偉產品需要進行替換，或您已經不再需要使用這些產品，請不要將它們與家庭廢物一起處置。請務必將本產品送往個別收集處。



個別收集用過的產品和包裝能讓材料再迴圈利用。重新使用迴圈利用的材料有助於防止環境污染，並減少原始材料的需求。

根據當地規定，市政廢棄物場址或售賣新產品給您的經銷商將會負責的家電個別收集，以進行迴圈利用。

得偉也為操作壽命終止的產品提供收集和迴圈利用的服務。若要充分利用這項服務，請把您的產品交還給任何授權的維修代理，他們將代得偉收集這些產品。

您可以透過本說明書內所列的地址聯絡您當地的得偉營業處，以查找您鄰近的授權維修代理。

或者，您也可以從下列網址取得得偉維修代理名單，以及售後服務和聯絡方式的詳情：

www.2helpU.com



充電式電池組

這款壽命較長的充電式電池組，一旦無法為原本能夠輕鬆完成的工作提供足夠的電力，則必須進行充電。在電池組技術壽命結束時，請妥善處置以保護我們的環境。

- 使電池組完全放電，然後將它從工具中卸下。
- 鋰離子、鎳鎘和鎳氫電池均能夠進行回收利用。請將它們交還給您的代理商或送往當地的回收站。所收集到的電池組將會進行回收利用或受到妥善的處置。

10.8 V 충전식 충격 렌치 DCF815

축하합니다!

DEWALT 공구를 선택해 주셔서 감사합니다. DEWALT는 오랜 경험과 제품 개발 및 혁신을 통해 전문 전동 공구 사용자들이 인정하는 기업으로 자리잡아 왔습니다.

기술자료

DCF815		
전압	V	10.8
타입		1
건전지 타입		Li-Ion
무부하상태 속도	min ⁻¹	0-2450
최대 토크	Nm	107
툴 홀더		1/4"(6.35mm)
무게(건전지조 무게 제외)	kg	0.8
L _{PA} (음압)	dB(A)	88
K _{PA} (불확정 음압)	dB(A)	3
L _{WA} (음능)	dB(A)	99
K _{WA} (불확정 음능)	dB(A)	3

총 진동수치(삼축 벡터 총합)는 EN 60745의 규정 에 의해 결정된것입니다.

진동 송출 수치 a _h		
a _h =	m/s ²	7.5
불확정 K=	m/s ²	1.7

이 정보 사이트에 나와 있는 진동 배출 수준은 EN 60745에서 정한 표준화된 테스트에 의해 측정되었으며, 한 공구를 다른 공구와 비교할 때 사용할 수 있습니다. 또한 노출에 대한 예비 평가에도 사용할 수 있습니다.



경고: 표시된 진동 배출 수준은 공구가 기본 작동할 때를 기준으로 합니다. 그러나 액세서리가 다르거나 잘못 유지 관리되는 등 공구가 다른 용도로 사용된 경우 진동 배출 수준은 달라질 수 있습니다. 이런 경우에는 총 작업 기간 대비 노출 수준이 크게 증가할 수 있습니다.

진동에 대한 노출 수준 예상치는 공구 스위치가 꺼지거나 공구가 실행 중이긴 하지만 실제로 작업 수행 중이 아닌 시기도 고려해야 합니다. 이런 경우에는 총 작업 기간 대비 노출 수준이 크게 감소할 수 있습니다.

공구와 액세서리를 유지 보수하고, 손을 따뜻하게 유지하며 작업 패턴을 구성하는 등 작업자가 진동의 영향을 받지 않도록 추가 안전 조치를 마련하십시오.

건전지조	DCB121	DCB123	
전지 타입	Li-Ion	Li-Ion	
전압	V _{DC}	10.8	10.8
용량	A _h	1.3	1.5
무게	kg	0.2	0.2

충전기	DCB100	DCB105			
전원전압	V _{AC}	220	220		
전지 타입	Li-Ion	Li-Ion			
대략 충전 소요시간	분	40	40	30	30
		(1.3 Ah 배터리 팩)	(1.5 Ah 배터리 팩)	(1.3 Ah 배터리 팩)	(1.5 Ah 배터리 팩)
무게	kg	0.3	0.49		

정의: 안전 지침

다음 정의는 각 경고 문구의 심각도를 설명합니다. 사용 설명서를 읽고 다음과 같은 기호들에 유의하십시오.



위험: 절박한 위험 상태를 나타내며, 방지하지 않으면 **사망 또는 심각한 부상을 초래합니다.**



경고: 잠재적으로 위험한 상태를 나타내며, 방지하지 않으면 **사망 또는 심각한 부상을 초래할 수도 있습니다.**



주의: 잠재적으로 위험한 상태를 나타내며, 방지하지 않으면 **경미하거나 가벼운 부상을 초래할 수 있습니다.**

참고: 신체 부상을 초래하지 않는 행위를 나타내며, 방지하지 않으면 **재산상의 손해가 발생할 수 있습니다.**



감전 위험을 나타냅니다.



화재 위험을 나타냅니다.



경고: 부상 위험을 줄이려면 사용 설명서를 숙지하십시오.

전동 공구에 관한 일반 안전 경고



경고! 안전에 관한 모든 경고 및 지시 사항을 숙지하십시오. 이러한 경고 및 지시 사항을 따르지 않으면 감전, 화재 및/또는 심각한 부상을 초래할 수 있습니다.



경고: 부상 위험을 줄이려면 사용 설명서를 숙지하십시오.

전동 공구에 관한 일반 안전 경고



경고! 안전에 관한 모든 경고 및 지시 사항을 숙지하십시오. 이러한 경고 및 지시 사항을 따르지 않으면 감전, 화재 및/또는 심각한 부상을 초래할 수 있습니다.

항후 참고할 수 있도록 모든 경고 및 지시 사항을 보관해두십시오.

경고에서 사용된 "전동 공구"라는 말은 주 공급 전원에 의해 전기 공급되는(코드 있음) 전동 공구 또는 충전식(코드 없음) 전동 공구를 의미합니다.

1) 작업 영역 안전

- a) **작업 영역을 청결하고 밝게 유지하십시오.** 혼잡하거나 어두운 작업 영역에서는 사고가 발생하기 쉽습니다.
- b) **가연성 액체, 가스 또는 먼지 등 폭발성 분위기에서 전동 공구를 사용하지 마십시오.** 전동 공구에 먼지나 연기를 발화시킬 수 있는 불꽃이 될 수 있습니다.
- c) **전동 공구를 사용하는 동안에는 어린이와 주변 사람들이 작업 영역에 가까이 들어오지 못하도록 하십시오.** 주변이 산만해져 통제력을 잃을 수 있습니다.

2) 전기 안전

- a) **전동 공구의 플러그는 콘센트와 형식이 일치해야 합니다.** 플러그를 어떤 방식으로든 절대 개조하지 마십시오. 접지된(지면 접지) 전동 공구와 함께 어댑터 플러그도 사용하지 마십시오. 개조되지 않은 플러그 및 형식이 일치하는 콘센트를 사용하면 감전 위험이 줄어듭니다.

- b) **파이프, 라디에이터, 렌치 및 냉장고 등과 같이 접지된 표면에 몸이 닿지 않도록 하십시오.** 신체가 접지되어 있으면 감전 위험이 높아집니다.
- c) **전동 공구를 비 또는 습한 환경에 노출하지 않도록 주의하십시오.** 전동 공구에 물이 들어가면 감전 위험이 높아집니다.
- d) **코드를 할부로 다루지 마십시오.** 코드를 사용하여 전동 공구를 운반하거나 잡아당기거나 플러그를 빼지 마십시오. 열, 오일, 날카로운 모서리 또는 움직이는 부품에서 멀리 떨어진 장소에 코드를 보관하십시오. 코드가 손상되거나 뒤얽혀 있으면 감전 위험이 높아집니다.
- e) **전동 공구를 실외에서 사용할 때는 실외 사용에 적합한 연장 코드를 사용하십시오.** 실외 사용에 적합한 코드를 사용하면 감전 위험이 줄어듭니다.
- f) **어쩔 수 없이 습한 장소에서 전동 공구를 사용해야 하는 경우에는 누전 차단기(RCD)로 보호된 전원 공급 장치를 사용하십시오.** RCD를 사용하면 감전 위험이 줄어듭니다.

3) 신체 안전

- a) **전동 공구로 작업할 때는 방심하지 말고 작업에 주의하면서 상식에 따르십시오.** 피곤한 상태이거나 약물, 술, 치료제를 복용한 상태에서는 전동 공구를 사용하지 마십시오. 전동 공구를 사용하는 중에 주의력을 잃어 순간적으로 부상을 당할 수 있습니다.
- b) **신체 보호 장구를 착용하십시오.** 항상 보안경을 착용하십시오. 전동 공구를 사용하는 중에 적합한 상황에서 방진 마스크, 미끄럼 방지 안전화, 안전모 또는 청력 보호 기구 등의 보호 장비를 사용하면 신체 부상 위험이 줄어듭니다.
- c) **의도하지 않은 장비 가동 방지.** 전원 및/또는 배터리 팩에 연결한 상태로 공구를 선택 때는 운반할 때는 사전에 스위치가 꺼짐 위치에 있는지 반드시 확인하십시오. 스위치가 켜짐 위치에 있는 상태에서 스위치에 손가락이 닿은 상태로 전동 공구를 운반하거나 전동 공구에 전원을 공급하면 사고가 발생할 수 있습니다.
- d) **전동 공구를 켜기 전에 모든 조정 키 또는 렌치를 제거하십시오.** 전동 공구의 회전 부품에 렌치나 키가 부착되어 있으면 부상을 당할 수 있습니다.

- e) **무리하게 팔을 뻗지 마십시오. 항상 올바른 자세로 서서 균형을 유지하십시오.** 그러면 예기치 않은 상황에서 전동 공구에 대한 제어력이 향상됩니다.
- f) **적절한 의복을 착용합니다. 헐렁한 옷이나 장신구를 착용하지 마십시오. 머리카락, 옷 및 장갑이 움직이는 부품에 닿지 않도록 유의하십시오.** 헐렁한 옷, 장신구 또는 긴 머리가 움직이는 부품에 낄 수 있습니다.
- g) **먼지 배출 및 집진 시설 연결을 위한 장치가 제공된 경우, 이들 장치가 연결되어 적절히 사용되고 있는지 반드시 확인하십시오.** 집진 장치를 사용하면 먼지와 관련된 위험을 줄일 수 있습니다.
- 4) 전동 공구 사용 및 주의 사항**
- a) **전동 공구에 무리한 힘을 가하지 마십시오. 해당 용도에 맞는 올바른 전동 공구를 사용하십시오.** 올바른 전동 공구를 사용해야 설계된 속도로 작업을 더욱 안전하고 정확하게 수행할 수 있습니다.
- b) **스위치로 켜지고 꺼지지 않는 전동 공구는 사용하지 마십시오.** 스위치로 제어되지 않는 전동 공구는 위험하며 수리해야 합니다.
- c) **전동 공구를 조정하거나 액세서리를 변경하거나 보관하기 전에 전원 및/또는 배터리 팩에서 플러그를 뽑으십시오.** 이러한 예방적 안전 조치를 따라야 전동 공구가 갑자기 작동할 위험이 줄어듭니다.
- d) **사용하지 않는 전동 공구는 어린이의 손이 닿지 않는 곳에 보관하고, 전동 공구나 본 지시 사항에 익숙하지 않은 사람이 전동 공구를 절대 사용하지 못하게 하십시오.** 전동 공구는 훈련을 받지 않은 사용자가 다루면 위험합니다.
- e) **전동 공구 유지 보수. 움직이는 부품의 잘못된 정렬이나 바인딩, 부품 파손 및 기타 전동 공구의 작동에 영향을 미칠 수 있는 상태가 있는지 확인하십시오.** 손상된 부분이 있는 경우 사용하기 전에 전동 공구를 수리하십시오. 많은 사고는 전동 공구를 제대로 유지 보수하지 않아 발생합니다.
- f) **절삭 공구를 예리하고 깨끗한 상태로 유지하십시오.** 유지 보수를 올바르게 수행하여 절삭 가장자리가 예리한 절삭 공구를 사용하면 바인딩이 적고 다루기가 용이합니다.
- g) **작업 환경과 수행할 작업을 고려하여, 본 지시 사항에 따라 전동 공구, 액세서리 및 볼트 등을 사용하십시오.** 본 사용 설명서의 내용과 다른 용도로 전동 공구를 사용하면 위험한 상황이 발생할 수 있습니다.

5) 배터리 공구 사용 및 주의 사항

- a) **다시 충전할 때는 제조업체에서 지정한 충전기만 사용하십시오.** 한 배터리 팩 유형에 적합한 충전기를 다른 배터리 팩과 함께 사용하면 화재의 위험이 있습니다.
- b) **전동 공구를 사용할 때는 특수 설계된 배터리 팩을 함께 사용하십시오.** 다른 배터리 팩을 사용하면 부상을 입거나 화재의 위험이 있습니다.
- c) **배터리 팩을 사용하지 않을 때에는 클림, 동전, 키, 못, 나사 등의 금속 물체나, 단자 간에 연결할 수 있는 작은 금속 물체가 닿지 않도록 멀리 두십시오.** 배터리 단자가 단락되면 화상을 입거나 화재의 위험이 있습니다.
- d) **배터리를 과다 사용하면 액체가 배터리에서 흘러 나올 수 있으므로 접촉을 피하십시오.** 실수로 접촉한 경우에는 물로 씻으십시오. 액체가 눈에 들어가면 치료를 받으십시오. 배터리에서 나온 액체는 통증을 유발하거나 화상을 입힐 수 있습니다.

6) 정비

- a) **자격을 갖춘 기술자가 동일 교체 부품을 사용하여 정비 작업을 수행해야 합니다.** 그래야 전동 공구의 안전이 보장됩니다.

드릴/드라이버/해머 드릴에 특정하게 적용되는 추가 안전 규칙

- **절삭 도구가 숨겨진 배선에 접촉할 수 있는 작업을 수행할 때는 절연된 그림핑 표면이 닿도록 하여 전동 공구를 잡으십시오.** "전류가 흐르는" 전선에 접촉된 절삭 액세서리는 전동 공구의 노출된 금속 부품을 "전류가 흐르는" 상태로 만들어 작업자를 감전시킬 수 있습니다.

기타 잔류 위험

관련된 안전 규정을 준수하고 안전 장치를 사용한다고 해도 특정한 위험은 피할 수 없습니다. 이러한 위험은 다음과 같습니다.

- 청력 손상
- 액세서리를 교체할 때 손가락이 끼일 위험
- 나무 가공 시 발생한 먼지를 들이마셔서 발생할 수 있는 건강 위험
- 파편 날림으로 인한 신체 부상 위험
- 장시간 사용으로 인한 신체 부상의 위험

공구에 표시된 마크

공구에는 다음과 같은 그림이 있습니다.



사용 전에 사용 설명서의 내용을 숙지하십시오.

날짜 코드 위치

날짜 코드에는 제조년도가 포함되어 이 제조년도는 공구와 배터리의 탑재 이음부가 되는 케이스에 인쇄되어 있습니다.

예 :

2011 XX XX

제조년도

모든 배터리 충전기에 대한 중요한 안전 지침

본 지침을 잘 보관해 두십시오. 본 사용 설명서에는 DCB100 및 DCB105 배터리 충전기에 대한 중요한 안전 및 작업 지침이 포함되어 있습니다.

- 충전기를 사용하기 전에 충전기, 배터리 팩, 그리고 배터리 팩 관련 제품에 대한 지침과 주의 표시를 숙지하십시오.



경고: 감전 위험. 충전기 내부에 액체가 들어가지 않도록 하십시오. 감전의 위험이 있습니다.



주의: 화상 위험. 신체 부상의 위험을 줄이려면 DEWALT 충전용 배터리로만 충전하십시오. 다른 유형의 배터리는 폭발로 인한 신체 부상과 손상을 초래할 수 있습니다.



경고: 아이들이 본 제품을 가지고 놀지않게끔 감독하셔야 합니다.

주의: 특정 조건에서, 충전기가 전원 공급기에 연결되어 있으면 충전기 내부에 노출된 충전 접점이 이물질에 의해 단락될 수 있습니다. 스틸 울(steel wool), 알루미늄 호일, 금속 입자 축적물 등의 전도성 이물질은 충전기 캐비티에 닿지 않게 두어야 합니다. 캐비티 안에 배터리 팩이 없을 경우, 항상 배터리 전원 공급기에서 충전기의 플러그를 뽑으십시오. 충전기를 청소할 때는 플러그를 뽑아야 합니다.

- **본 사용 설명서에 명시된 충전기 외의 다른 충전기로 배터리 팩을 충전하지 마십시오.** 본 충전기와 배터리 팩은 함께 사용하도록 특수 설계되었습니다.
- **이러한 충전기는 DEWALT 충전용 배터리 충전 이외의 용도로는 사용할 수 없습니다.** 다른 용도로 사용하면 화재, 감전 또는 감전사의 위험이 있습니다.
- **충전기가 비나 눈을 맞지 않도록 하십시오.**
- **충전기를 분리할 경우 코드가 아니라 플러그를 뽑으십시오.** 그래야만 전기 플러그 및 코드 손상의 위험이 줄어듭니다.
- **코드가 밟히거나 걸리거나 기타 원인에 의해 손상되거나 압박을 받지 않도록 유의하십시오.**
- **불가피한 경우가 아니면 연장 코드를 사용하지 마십시오.** 연장 코드를 잘못 사용하면 화재, 감전 또는 감전사의 위험이 있습니다.
- **충전기 위에 물건을 올려놓거나 부드러운 표면에 충전기를 두면 환기 슬롯이 막혀 내부가 과열될 수 있습니다.** 충전기는 열원에 가까이 두지 마십시오. 충전기는 하우징의 상단과 하단에 있는 슬롯을 통해 환기됩니다.
- **코드나 플러그가 손상된 충전기를 작동시키지 마십시오.** — 즉시 교체하십시오.
- **심한 충격을 받았거나 떨어뜨렸거나 기타의 방식으로 손상된 경우에는 충전기를 작동시키지 마십시오.** 공인 서비스 센터로 가져가십시오.
- **충전기를 분해하지 마십시오.** 서비스나 수리가 필요한 경우에는 **공인 서비스 센터로 가져가십시오.** 잘못 재조립하면 화재, 감전 또는 감전사의 위험이 있습니다.
- **청소하려면 먼저 충전기를 콘센트에서 분리하십시오.** 그래야 감전 위험이 줄어듭니다. 배터리 팩을 제거하는 것만으로 이러한 위험이 줄어들지는 않습니다.
- **절대로 충전기 두 개를 함께 연결하지 마십시오.**
- **충전기는 가정용 표준 전력(220V)에서 작동하도록 설계되어 있습니다.** 다른 전압에서는 사용하지 마십시오. 공용 충전기는 제외됩니다.

본 지침을 잘 보관해 두십시오.

충전기

DCB100 및 DCB10 5 충전기는 10.8 V 리튬 이온 배터리를 사용합니다.

이러한 충전기는 어떠한 조절 작업도 필요 없으며 최대한 작동하기 쉽게 설계되었습니다.

충전 절차(그림 2)



위험: 감전사 위험. 단자 충전 시에는 230V로 표시됩니다. 전도성 있는 물체로 시험하지 마십시오. 감전 또는 감전사의 위험이 있습니다.

1. 배터리 팩을 넣기 전에 충전기(I)를 적절한 콘센트에 꽂습니다.
2. 배터리 팩을 충전기에 넣습니다. 빨간색(충전 중) 불이 계속 깜박이면서 충전 프로세서가 시작되었음을 알립니다.
3. 충전이 완료되면 빨간색 불이 계속 켜져 있습니다. 팩이 완전히 충전되면 바로 사용하거나 충전기에 그대로 둡니다.

참고: 리튬이온 배터리의 성능과 수명을 극대화하려면 처음 사용하기 전에 배터리 팩을 완전히 충전시키십시오.

충전 프로세스

배터리 팩의 충전 상태는 아래 표를 참조하십시오.

충전 상태	
충전 중	- - - -
완전 충전됨	_____
냉/온 팩 지연	- - - -
배터리 팩 교체	●●●●●●●●

냉/온 팩 지연

충전기에서 너무 뜨겁거나 차가운 배터리가 감지되면, 냉/온 팩 지연이 자동으로 시작되어 배터리가 적절한 온도가 될 때까지 충전이 중단됩니다. 이 과정이 끝나면 충전기가 자동으로 팩 충전 모드로 전환됩니다. 이 기능은 배터리 수명을 최대한으로 보장하기 위한 것입니다.

리튬이온 배터리 팩에만 해당

리튬이온 배터리는 배터리에 과부하가 걸리거나 과열 또는 완전 방전되는 것을 방지하는 전자 보호 시스템으로 설계되었습니다.

이 공구는 전자 보호 시스템이 작동하면 자동으로 꺼집니다. 그러면 리튬이온 배터리가 완전히 충전될 때까지 충전기에 놓으십시오.

모든 배터리 팩에 대한 중요한 안전 지침

배터리 팩 교체를 주문할 때는 카탈로그 번호와 전압을 반드시 포함시켜야 합니다.

배터리 팩은 카톤에서 꺼낼 때 완전히 충전된 상태가 아닙니다. 배터리 팩과 충전기를 사용하기 전에 아래 안전 지침을 숙독하십시오. 그런 다음 설명된 충전 절차를 따르십시오.

모든 지침을 숙지하십시오.

- **가연성 액체, 가스 또는 먼지 등 폭발성 분위기에서 배터리를 충전하거나 사용하지 마십시오.** 배터리를 삽입하거나 충전기에서 제거할 때 먼지나 가스에 불이 붙을 수 있습니다.
- 건전지조를 강제로 충전기에 끼워넣으시면 안됩니다. 그 어떤 방식의 건전지조 변경은 절대 금지입니다. 건전지조를 변경하여 호환 충전기가 아닌 충전기에 넣으려고 시도하시다가 건전지조가 파열되면서 엄청난 신체 상해를 일으키는 경우가 있기 때문입니다.
- DEWALT 충전기에서만 배터리 팩을 충전하십시오.
- 물이나 기타 액체가 튀어 묻거나 액체에 빠지지 **않도록** 하십시오.
- 온도가 40°(105° F) 초과될 수 있는 곳(어름철 허름한 창고 또는 금속 건물 등)에 공구와 배터리 팩을 보관하거나 사용하지 마십시오.



위험: 어떤 이유로든 배터리 팩을 절대 열려고 하지 마십시오. 배터리 팩 케이스가 깨지거나 손상되면 충전기에 넣지 마십시오. 배터리 팩을 문개거나 떨어뜨리거나 손상시키지 마십시오. 강한 충격을 받았거나, 떨어뜨렸거나, 차에 치였거나 기타의 원인으로 어떤 방식으로든 손상된(못이 박히거나 망치로 맞았거나 밟힘) 배터리 팩이나 충전기는 사용하지 마십시오. 감전 또는 감전사의 위험이 있습니다. 손상된 배터리 팩은 재활용을 위해 서비스 센터에 반환해야 합니다.



주의: 사용하지 않는 공구는 걸려 넘어지거나 떨어질 위험이 없는 안정된 표면에 놓혀 두십시오. 배터리 팩이 큰 일부 공구들은 배터리 팩 위에 바로 서었지만 쉽게 넘어질 수 있습니다.

Li-Ion(리튬이온)에 대한 추가 안전 지침

- **배터리 팩이 심하게 손상되거나 완전히 낡았다 라도 절대 소각하지 마십시오.** 배터리 팩이 불 속에서 폭발할 수 있습니다. 리튬이온 배터리 팩은 연소되면서 독성 연기와 물질을 발생시킵니다.
- **배터리 내용물이 피부에 닿으면 즉시 증성 세척제로 해당 부위를 씻으십시오.** 배터리액이 눈에 들어갔을 경우, 15분 정도 또는 통증이 가실 때까지 눈을 뜨고물로 씻어냅니다. 치료가 필요한 경우를 위해, 배터리 전해질은 액체 유기 탄산염과 리튬염의 혼합물로 구성되어 있음을 알아 두십시오.
- **열린 배터리 셀의 내용물은 호흡기 질환을 일으킬 수 있습니다.** 신선한 공기를 흡입하십시오. 증상이 계속되면 치료를 받으십시오.



경고: 화상 위험. 배터리액은 불꽃이나 화염에 노출되면 연소될 수 있습니다.

배터리 팩

배터리 유형

DCD710은 10,8V 배터리 팩에서 작동합니다.

보관 권장 사항

1. 보관 장소로는 직사광선을 받지 않고 지나치게 덥거나 춥지 않은 시원하고 건조한 곳이 가장 좋습니다. 최적의 배터리 성능과 수명을 위해, 사용하지 않을 때에는 배터리 팩을 실온에서 보관하십시오.
2. 오랫동안 보관할 때는 최적의 결과를 위해 완전 충전된 배터리 팩을 충전기에서 꺼내 건넨한 장소에 보관하는 것이 좋습니다.

참고: 완전 방전 상태로 배터리 팩을 보관해서는 안됩니다. 사용 전에 배터리 팩을 재충전해야 합니다.

충전기 및 배터리 팩에 부착된 레이블

본 설명서에 사용된 그림 외에도 충전기 및 배터리 팩에 부착된 레이블에는 다음과 같은 그림이 표시됩니다.



사용 전에 사용 설명서의 내용을 숙지하십시오.



배터리 충전 중



배터리 충전 완료



배터리에 결합 있음



냉/온 팩 지원



전도성 있는 물체에 시험하지 마십시오.



손상된 배터리 팩을 충전하지 마십시오.



DEWALT 배터리 팩만 사용하십시오. 다른 유형의 배터리 팩은 폭발로 인한 신체 부상과 손상을 초래할 수 있습니다.



물에 닿지 않도록 하십시오.



손상된 코드는 즉시 교체하십시오.



온도가 4°C ~ 40°C 사이일 때에만 충전하십시오.



환경 보호 차원에서 배터리 팩을 폐기하십시오.



건전지에 불사르시면 안됩니다.



충전 시간은 기술 데이터를 참조하십시오.



실외사용은 금지입니다.

포장물 내역

포장물속에 든 품목들은 아래와 같습니다:

- 1충격 드라이버
- 1충전기
- 2건전지
- 1정격 충격 드라이버 비트
- 1설명서
- 1벨트고리나사
- 1벨트고리

주의: N-모델인 경우 위의 내역속의 건전지조 및 충전기가 포함되지 않습니다.

- 운수도중에 도구, 부품 혹은 액세서리등이 파손될 수도 있으니 물품을 받으신후 자세히 체크바랍니다.
- 본 설명서를 자세히 읽고 사용방법을 확실히
- 특하기전에는 절대로 드라이버를 사용하지
- 말아주십시오

분석(그림1)



- 경고: 본 동력도구 혹은 어느한 부품을 변경 하거나하는 일은 절대로 금지입니다. 도구가 고장나거나 사용자한테 위험을 초래하는등 나쁜결과를 피면하기위해서입니다.
- a. 방아쇠 스위치
 - b. 전진/후퇴 방향조절 단추
 - c. 척 이음고리
 - d. 1/4"(6.35mm) 6각 신속-이탈 척
 - e. 건전지 제거 단추
 - f. 건전지조
 - g. 작업 라이트
 - h. 주 핸들
 - i. 벨트고리
 - j. 벨트고리나사

용도

본 제품은 전문적인 충격 나사돌림 작업을 위하여 설계된 도구입니다. 본 제품의 충격 기능은 나무, 금속 및 콘크리트의 파스터 조임작업에 특별히 유용합니다.

물기 또는 가연성 액체 혹은 가스가 존재하는 환경에서는 **절대로 사용금지**입니다.

이 충격 렌치/드라이버는 전문용 전력도구입니다.

어린이가 이 공구를 만지지 **않도록 하십시오**. 경험이 없는 작업자가 이 공구를 사용할 때는 감독자의 지도가 필요합니다.



경고: 엄청난 신체상해의 위험을 피면키위하여 부품을 장치하거나 제거하기전에 반드시 전진/후퇴 단추를 잠금위치에 놓거나, 도구의 스위치를 끄거나 전지조를 도구에서 제거합니다.



경고: 엄청난 신체상해의 위험을 피면키위하여 도구를 머리위로 추켜들지마시고, 다른 물품을 벨트고리에 걸거나하시지 말아야합니다. 벨트고에는 오로지 도구벨트만 장치하여야지 다른 벨트를 걸면 안됩니다.



경고: 엄청난 신체상해의 위험을 피면키위하여 벨트고리가 나사에 제대로 걸리게끔 하셔야 합니다.

주의점: 벨트고리를 장치하거나 제거할때 반드시 제공된 벨트고리나사(I)를 사용하셔야 합니다. 그리고 나사를 안전하게 고정시키셔야 합니다. 왼손잡이 및 오른손잡이 사용자들을 모두 고려해서 벨트고리(J)는 도구 양면에 장치가능하도록 설계되었습니다. 단지 제공된 벨트고리나사(I)를 사용하셔야 합니다. 벨트고리가 필요하지 않은경우 그냥 제거하시면 됩니다. 벨트고리를 반대편으로 이동시키려는 경우 벨트고리나사(I)를 돌려서 벨트고리를 제거하여 반대편에 설치하고 다시 나사를 돌려서 고정시킵니다. 나사를 안전하게 고정시키셔야 합니다

전기 안전

전기 모터는 한 가지 전압에만 맞추어 설계되었습니다. 배터리 팩 전압이 명판에 기재된 전압과 일치하는지 항상 확인하십시오. 또한 충전기의 전압이 주전원의 전압과도 일치하는지 확인하십시오.



DEWALT 충전기는 EN 60335에 따라 이중 절연되어 있습니다. 따라서 접지선이 필요하지 않습니다.

전원 코드가 손상된 경우에는 DEWALT 서비스 센터를 통해 특수 제작된 코드로 교체해야만 합니다.

조립 및 조정



경고: 조립 및 조정 작업 전에는 항상 배터리 팩을 분리하십시오. 배터리 팩을 삽입하거나 분리하기 전에 항상 공구 스위치를 끄십시오.



경고: DEWALT 배터리 팩과 충전기만 사용하십시오.

연장 케이블의 사용

절대 필요할때만이 연장선의 사용을 허용합니다.

품질보증에 있고 충전기의 파워 수출에 적합한 (기술자료 참고) 연장 케이블의 사용만 허용합니다.

도체의 최소 사이즈는 1mm²에 도달하여야하고, 길이는 30m를 초과하지말아야 합니다. 케이블 릴인 경우, 감긴 케이블을 릴에서 완전히 풀고 작업을 시작하여야 합니다.

배터리 팩 삽입 및 공구에서 배터리 팩 분리(그림 3)



경고: 심각한 신체 부상의 위험을 줄이려면 공구를 조정하거나 부착물 또는 액세서리를 제거/설치하기 전에 공구를 끄고 배터리 팩을 분리하십시오. 공구가 갑자기 작동하여 신체 부상을 당할 수 있습니다.

참고: 배터리 팩(9)이 완전히 충전되었는지 확인하십시오.

배터리 팩을 도구 핸들에 설치하려면 다음과 같이 조치합니다.

1. 공구 베이스를 공구 핸들 안쪽의 새김눈과 맞춥니다(그림 2).
2. '짹'하고 잠기는 소리가 들릴 때까지 배터리 팩을 핸들로 완전히 밀어 넣습니다.

공구에서 배터리 팩을 분리하려면 다음과 같이 조치합니다.

1. 해제 버튼(f)을 누르고 배터리 팩을 공구 핸들에서 완전히 빼냅니다.
2. 본 사용 설명서의 충전기 섹션에 설명된 대로 배터리 팩을 충전기에 삽입합니다.

작업

사용 지침



경고: 안전 지시 사항과 해당 규정을 항상 준수하십시오.



경고: 심각한 신체 부상의 위험을 줄이려면 부착물 또는 액세서리를 조정하거나 제거/설치하기 전에 공구를 끄고 전원에서 공구 플러그를 빼십시오.

올바른 손 위치(그림1,8)



경고: 심각한 신체 부상의 위험을 줄이려면 항상 그림 13에 표시된 대로 올바른 손 위치를 사용하십시오



경고: 심각한 신체 부상의 위험을 줄이려면 항상 갑작스런 행동에 대비하여 단단히 잡으십시오.

손 위치는 한 손을 기본 핸들(i) 위에 놓고 다른 손을 사이드 핸들(h) 위에 놓는 것이 바람직합니다.

가변 속도 스위치(그림 1)

공구를 켤 때는 트리거 스위치를 돌립니다(a). 공구를 끌 때는 트리거 스위치를 놓습니다. 공구에는 브레이크가 장착되어 있습니다. 트리거 스위치가 완전히 해제되는 즉시 척은 중지됩니다.

참고: 가변 속도 범위의 지속적 사용은 권장되지 않습니다. 지속적 사용은 스위치를 손상시킬 수 있으므로 피해야 합니다

전진/후진 제어 버튼(그림 1)

전진/후진 제어 버튼(b)은 공구 방향을 결정하며 잠금(lock-off) 버튼 역할도 합니다.

전진 회전을 선택하려면 트리거 스위치를 놓고 공구 오른쪽에서 전진/후진 제어 버튼을 눌러줍니다.

후진을 선택하려면 트리거 스위치를 놓고 공구 왼쪽에서 전진/후진 제어 버튼을 눌러줍니다.

제어 버튼이 중앙에 있으면 공구가 꺼진 상태로 잠기게 됩니다. 제어 버튼의 위치를 변경할 때는 반드시 트리거를 놓아야 합니다.

참고: 회전 방향을 변경한 후 처음으로 공구를 실행하면 작동 시 '짹' 소리가 들립니다. 이는 정상적 현상이며 고장이 아닙니다.

작업등(그림 1)

작업등(h)은 트리거 스위치(c) 바로 위에 있습니다. 작업등은 트리거 스위치를 돌릴 때 켜집니다.

참고: 작업등은 인접한 작업대를 비추기 위한 것이며 손전등으로 사용하기 위한 것이 아닙니다.

신속-이탈 척 (그림.1,4)

주의: 본 제품의 척은 1/4”(6.35mm)의 6각 부품 혹은 1”(25.4mm)의 비트의 사용만 가능합니다. 제한된 공간에서는1”(25.4mm)의 비트의 사용이 더 편리할것입니다.

전진/후퇴 방향조절 단추(b)를 잠금 위치(가운데)에 놓거나 건전지조를 도구에서 빼내기전에는 절대로 부품 교환을 진행해서는 안됩니다.

부품을 장치할때에는, 부품을 척속으로 충분히 깊이 끼워넣습니다. 부품을 제자리로 끼워넣기 위해서 척 이음고리를 이동하거나 하실 필요가 없 습니다.

부품을 제거할때에는, 척 이음고리를 도구 맨 앞으로부터 당겨냅니다. 제거하려면 부품을 빼고 이음고리를 풀어줍니다.

사용방법

본 충격 도구는 아래와 같은 출력토크를 발생합니다.

DCF815	Ft.-Lbs.	In.-Lbs.	Nm
DCF815	79	950	107



경고: 우선 파스너와/혹은 작업대상물이 도구가 발생하는 출력토크를 견뎌낼 수 있을지 확인해야 합니다. 지나치게 큰 토크는 대상물에 손상을 주거나 작업자한테 위험할 수가 있습니다.

1. 소켓을 파스너 머리부분에 놓습니다. 드라이버가 파스너와 일직선으로 되게 방향을 잡습니다.
2. 스위치를 눌러서 작업을 시작합니다. 토크가 변하지않게 항상 토크 렌치를 검사합니다. 조임 토크가 아래에 열거된 여러가지 원인으로 수시로 변동될수있기때문입니다:
 - **전압:** 거의 방전된 건전지의 원인으로 전압이 낮아질때 조임 토크가 작아집니다.
 - **소켓 사이즈:** 정확한 사이즈의 소켓을 사용 하지않으면 조임 토크가 작아집니다.
 - **볼트 사이즈:** 볼트사이즈가 클수록 큰 조임 토크가 필요합니다. 조임 토크는 또한 길이, 품질 및 합동계수에 따라 변동됩니다.
 - **볼트:** 볼트의 나사산에 녹이 쓸거나 다른 이물이 끼어있는경우 작업과정에서 정확한 조임 토크를 보장할수가없습니다.
 - **재료:** 작업대상물의 재료와 대상물의 표면가공상황도 조임 토크에 영향을 줄 수가 있습니다.
 - **조임 시간:** 조임작업 시간이 길면 길수록 조임 토크가 커집니다. 권장 조임시간보다 조임작업이 길어지면 파스너가 너무 깊이 파이거나, 파열되거나 손상될수가 있습니다.



경고: 심각한 신체 부상의 위험을 줄이려면 공구를 조정하거나 부착물 또는 액세서리를 제거/설치하기 전에 공구를 끄고 배터리 팩을 분리하십시오. 공구가 갑자기 작동하여 신체 부상을 당할 수 있습니다.

충전기 및 배터리 팩은 수리할 수 없습니다. 내부에는 수리할 수 있는 부품이 없습니다.



윤활 작업

전동 공구는 별도의 윤활 작업이 필요하지 않습니다.



청소



경고: 통풍구 속이나 주변에 먼지가 쌓여있는 것이 보이면 가능한 한 자주 건조한 공기를 이용하여 몸체에서 먼지를 불어내십시오. 이 절차를 수행할 때에는 승인된 보안경 및 승인된 방진 마스크를 착용하십시오.



경고: 공구의 금속 이외 부품을 청소할 때는 용제 등의 강력한 화학약품을 절대 사용하지 마십시오. 그렇지 않으면 이러한 부분에 사용된 재료가 약해질 수 있습니다. 형광에 물과 연한 비누를 적셔 닦아주십시오. 공구 내부에 액체를 넣거나 공구 부품을 액체에 담그는 행동은 절대 금물입니다.

충전기 청소 지시 사항



경고: 감전 위험. 청소하려면 먼저 충전기를 콘센트에서 분리하십시오. 형광이나 부드러운 금속 이외 브러시로 충전기 외관 부분에 묻은 먼지 및 기름을 제거할 수 있습니다. 물이나 세척제를 사용하지 마십시오.

유지 보수

DEWALT 전동 공구는 최소한의 유지 보수로 장기간에 걸쳐 작업이 가능하도록 설계되어 있습니다. 연속 작동은 적절한 공구 관리와 정기적인 청소에 따라 그 성능이 달라질 수 있습니다.

옵션 액세서리



경고: DEWALT에서 제공하지 않은 액세서리는 본 제품에서 테스트되지 않았으므로 본 제품에서 이러한 액세서리를 사용하면 위험할 수 있습니다. 신체 부상의 위험을 줄이려면 본 제품에 DEWALT 권장 액세서리만 사용해야 합니다.

해당 액세서리에 대한 자세한 정보는 판매 대리점으로 문의하십시오.

환경 보호



분리 수거. 본 제품을 일반 가정용 쓰레기로 처리하면 안됩니다.

DEWALT 제품을 교체해야 하거나 더 이상 쓸모가 없어졌다고 판단되면 본 제품을 가정용 쓰레기로 처리하지 마십시오. 이 제품은 분리 수거하십시오.



사용하던 제품과 포장물 분리 수거하면 자원을 재활용 및 재사용할 수 있습니다. 재활용 자원을 이용하면 환경 오염이 방지되고 고철 자원에 대한 수요를 줄일 수 있습니다.

지역에 따라 가정용 가전제품을 분리 수거하는 규정이 마련되어 있거나 새로운 제품을 구입할 때 판매점에서 폐기 방법을 알려줄 수 있습니다.

DEWALT는 사용이 끝난 DEWALT 제품을 수집하여 재활용하기 위한 시설을 운영하고 있습니다. 이 서비스를 활용하려면 당사가 폐제품 수거를 위임한 공인 수리 대리점에 제품을 반환해 주십시오.

본 사용 설명서에 기재된 연락처로 가까운 DEWALT 영업소에 연락하면 가까운 공인 수리 대리점 위치를 확인할 수 있습니다. 또는 다음 웹 사이트를 방문하여 DEWALT 공인 수리 대리점 목록과 애프터 서비스 및 연락처에 대한 자세한 정보를 찾아볼 수 있습니다.

www.dewalt.co.kr



충전용 배터리 팩

이전에 쉽게 수행했던 작업에 대해 충분한 힘을 발휘하지 못하는 배터리 팩은 재충전해야 합니다. 배터리 수명이 다하면 환경 보호 차원에서 배터리 팩을 폐기하십시오.

- 배터리 팩을 완전히 사용하고 난 후 공구에서 분리하십시오.
- 리튬이온, NiCd 및 NiMH 셀은 재활용할 수 있습니다. 이 셀을 판매점이나 지역 재활용 센터로 가져가십시오. 수집된 배터리 팩은 재활용되거나 적절히 폐기됩니다.

สว่านขันกระแทกแบบไร้สาย 10.8 V DCF815

ขอแสดงความยินดี!

ท่านได้เลือกใช้เครื่องมือจาก DEWALT ด้วยประสบการณ์อันยาวนานในการพัฒนาผลิตภัณฑ์และนวัตกรรมขั้นเลิศ ทำให้ DEWALT เป็นหนึ่งในเครื่องมือไฟฟ้าที่น่าเชื่อถือสำหรับผู้ใช้งานระดับมืออาชีพมากที่สุด

ข้อมูลทางด้านเทคนิค

		DCF815
แรงดันไฟฟ้า	โวลต์	10.8
ประเภท		1
ชนิดแบตเตอรี่		ลิเทียมไอออน
รอบทำงานขณะไม่มีภาระ	นาที ¹	0–2450
แรงบิดสูงสุด	Nm	107
ที่จับอุปกรณ์		1/4" (6.35 มม.)
น้ำหนัก (ไม่รวมแบตเตอรี่)	กก.	0.8
<hr/>		
L _{pa} (แรงดันเสียง)	dB(A)	88
K _{pa} (ความไม่แน่นอนของแรงดันเสียง)	dB(A)	3
L _{wa} (กำลังเสียง)	dB(A)	99
K _{wa} (ความไม่แน่นอนของกำลังเสียง)	dB(A)	3

ค่ารวมของการสั่นสะเทือน (Triax vector sum) ตามมาตรฐาน EN 60745:

ค่าการปล่อยแรงสั่นสะเทือน a _h		
a _h =	m/s ²	7.5
ความไม่แน่นอน K =	m/s ²	1.7

ค่าความสั่นสะเทือนที่ระบุไว้ในคู่มือเล่มนี้ใช้การวัดตามมาตรฐานที่ระบุไว้ใน EN 60745 จึงสามารถใช้เปรียบเทียบค่ากับเครื่องมือรุ่นอื่นได้ ทั้งนี้ ค่าที่ระบุไว้เป็นเพียงค่าสำหรับการประเมินระดับค่าความสั่นสะเทือนเบื้องต้นเท่านั้น



คำเตือน: ค่าความสั่นสะเทือนที่ระบุไว้เป็นค่าที่ได้จากการใช้งานเครื่องมือตามปกติ หากมีการใช้งานเครื่องมือกับงานที่แตกต่างออกไปหรือใช้กับอุปกรณ์เสริมอื่นๆ หรือไม่ได้รับการบำรุงรักษาอย่างเหมาะสม ค่าความสั่นสะเทือนอาจแตกต่างจากที่ระบุไว้ อย่างไรก็ตาม ในการใช้งานจริงผู้ใช้งานไม่ได้ใช้งานเครื่องมือตลอดเวลา จึงต้องคำนึงถึงระยะเวลาที่เปิดเครื่องอยู่ หรือเมื่อเปิดเครื่องอยู่แต่ยังไม่ได้เริ่มใช้งานด้วย ซึ่งค่าความสั่นสะเทือนจริงๆ ตลอดเวลาที่ผู้ใช้งานจะได้รับนั้นอาจจะต่ำกว่าค่าที่ระบุไว้มาก

หามาตรการป้องกันความปลอดภัยเพิ่มเติมเพื่อป้องกันไม่ให้ผู้ใช้งานได้รับผลกระทบจากการสั่นสะเทือน เช่น บำรุงรักษาเครื่องมือและอุปกรณ์เสริมอย่างเหมาะสม ทำให้มีอยู่ก่อนใช้เครื่องมือ จัดรูปแบบการใช้งานเครื่องมือให้เหมาะสม

แบตเตอรี่	DCB121	DCB123
ชนิดแบตเตอรี่	Li-Ion	Li-Ion
แรงดันไฟฟ้า	โวลต์	10.8
ความจุ	Ah	1.3
น้ำหนัก	กก.	0.2
<hr/>		
เครื่องชาร์จ	DCB100	DCB100
แรงดันไฟฟ้าหลัก	โวลต์ _a	220
ชนิดแบตเตอรี่	Li-Ion	Li-Ion
เวลาการชาร์จ	นาที	40
โดยประมาณ	(แบตเตอรี่ (แบตเตอรี่ (แบตเตอรี่ (แบตเตอรี่	40 30 30 30
	1.3 Ah) 1.5 Ah) 1.3 Ah) 1.5 Ah)	
น้ำหนัก	กก.	0.3
		0.49

คำจำกัดความ: ข้อแนะนำด้านความปลอดภัย

คำจำกัดความด้านล่างอธิบายถึงระดับความรุนแรงของความเสี่ยงที่เรียกสัญลักษณ์ต่างๆ โปรดอ่านคู่มือและทำความเข้าใจกับสัญลักษณ์เหล่านี้



อันตราย: หมายถึงสถานการณ์ที่ก่อให้เกิดอันตรายได้อย่างฉับพลัน ซึ่งหากไม่ระวังจะทำให้เสียชีวิตหรือบาดเจ็บสาหัสได้



คำเตือน: หมายถึงสถานการณ์ที่มีแนวโน้มว่าจะก่อให้เกิดอันตราย ซึ่งหากไม่ระวังสามารถทำให้เสียชีวิตหรือบาดเจ็บสาหัสได้



ข้อควรระวัง: หมายถึงสถานการณ์ที่มีแนวโน้มว่าจะก่อให้เกิดอันตราย ซึ่งหากไม่ระวัง อาจทำให้ได้รับบาดเจ็บเล็กน้อยถึงปานกลาง

ข้อสังเกต: หมายถึงข้อปฏิบัติที่ไม่ส่งผลให้บุคคลได้รับบาดเจ็บ แต่หากไม่ระวัง อาจทำให้ทรัพย์สินได้รับความเสียหายได้



แสดงถึงอันตรายจากการถูกไฟฟ้าดูด



แสดงถึงอันตรายจากการเกิดเพลิงไหม้



คำเตือน: เพื่อลดความเสี่ยงต่อการบาดเจ็บ โปรดอ่านคู่มือการใช้งานเสมอ

คำเตือนด้านความปลอดภัยทั่วไป จากการใช้เครื่องมือไฟฟ้า



คำเตือน! อ่านคำเตือนและคำแนะนำด้านความปลอดภัยทั้งหมด การไม่ปฏิบัติตามคำเตือนและคำแนะนำเหล่านี้ อาจทำให้ถูกไฟฟ้าดูด เกิดเพลิงไหม้และ/หรือบาดเจ็บสาหัสได้

จัดเก็บเอกสารคำเตือนและคำแนะนำทั้งหมดไว้ เพื่อการอ้างอิงในภายหลัง

คำว่า “เครื่องมือไฟฟ้า” ในคำเตือน หมายถึง เครื่องมือไฟฟ้าที่ทำงานผ่านสายเมน (มีสาย) หรือแบตเตอรี่ (ไม่มีสาย)

1) ความปลอดภัยในพื้นที่ทำงาน

- รักษาพื้นที่ทำงานให้สะอาดและมีแสงสว่างเพียงพอ พื้นที่ที่ระเกะระกะและมีอากาจก่อให้เกิดอุบัติเหตุได้
- ห้ามใช้เครื่องมือไฟฟ้าในพื้นที่ที่มีโอกาสระเบิดได้ เช่น ในที่มีขี้ของเหลว แก๊ส หรือผงวัสดุที่ติดไฟได้ เครื่องมือก่อให้เกิดประกายไฟซึ่งอาจทำให้ฝุ่นละอองหรือสารเคมีติดไฟได้
- ขณะที่กำลังใช้งานเครื่องมือ ให้ระมัดระวังเด็กและผู้ที่อยู่ข้างเคียง การสูญเสียสมาธิอาจทำให้สูญเสียการควบคุมได้

2) ความปลอดภัยทางไฟฟ้า

- ปลั๊กของเครื่องมือไฟฟ้าจะต้องเป็นแบบที่ตรงกับเต้าเสียบ ห้ามทำการดัดแปลงปลั๊กเสียบ ไม่ว่าในกรณีใดๆ ห้ามใช้ตัวแปลงปลั๊กเข้ากับเครื่องมือไฟฟ้าที่มีสายดิน การใช้ปลั๊กที่ไม่มีการดัดแปลง และการใช้เต้าเสียบที่มีประเภทตรงกันจะช่วยลดความเสี่ยงในการเกิดไฟฟ้าดูดได้
- หลีกเลี่ยงไม่ให้ร่างกายสัมผัสกับพื้นผิวที่มีการต่อลงดิน เช่น ท่อเครื่องทำความร้อน เตา และตู้เย็น ถ้าร่างกายของสัมผัสโดยตรงกับพื้นดินจะมีความเสี่ยงต่อไฟฟ้าดูดเพิ่มมากขึ้น

- อย่าให้เครื่องมือที่ใช้ไฟฟ้าถูกฝนหรือเปียกน้ำ น้ำที่เข้าไปในเครื่องมือไฟฟ้าจะเพิ่มความเสี่ยงต่อการเกิดไฟฟ้าดูดได้
- ห้ามใช้งานสายไฟของเครื่องมืออย่างผิดวิธี ห้ามใช้สายไฟของเครื่องมือในการหิ้ว ดึง หรือถอยลิ้นเครื่องมือไฟฟ้า เก็บสายไฟให้ห่างจากความร้อน น้ำมัน และวัตถุเคมี สายไฟที่มีความเสียหายจะเพิ่มความเสี่ยงที่อาจเกิดไฟฟ้าดูดได้
- เมื่อใช้งานเครื่องมือไฟฟ้ากลางแจ้ง ให้ใช้สายพ่วงที่เหมาะสมกับการใช้งานกลางแจ้ง การใช้สายพ่วงที่เหมาะสมกับการใช้งานกลางแจ้งจะช่วยลดอันตรายจากไฟฟ้าดูดได้
- หากไม่สามารถหลีกเลี่ยงการใช้เครื่องมือไฟฟ้าในบริเวณที่ชื้นแฉะได้ ให้ใช้อุปกรณ์ป้องกันไฟฟ้าสะสม (RCD) ที่จัดให้ ใช้ RCD เพื่อลดความเสี่ยงจากการถูกไฟดูด

3) ความปลอดภัยส่วนบุคคล

- มีความตื่นตัวและมีสติในสิ่งที่ทำ รวมทั้งใช้วิจารณญาณขณะที่กำลังใช้งานเครื่องมือไฟฟ้า ห้ามใช้เครื่องมือขณะที่ร่างกายอ่อนล้าหรือได้รับผลกระทบจากของมีนเมาหรือยาต่างๆ ความพลั่งเปลอไม่ระมัดระวังตัวแม้เพียงชั่วคราวขณะที่กำลังใช้งานเครื่องมือไฟฟ้าอยู่ อาจก่อให้เกิดการบาดเจ็บอย่างรุนแรงได้
- ใช้อุปกรณ์ในการป้องกันอันตราย สวมอุปกรณ์ป้องกันดวงตาเสมอ การใช้อุปกรณ์ในการป้องกันอันตรายที่เหมาะสม เช่น หมวกกันน็อก ฝุน รองเท้านิรภัย หมวกนิรภัย หรืออุปกรณ์ป้องกันจะช่วยลดการบาดเจ็บได้
- ป้องกันการสาร์ทเครื่องโดยไม่ได้ตั้งใจ สวิตช์ต้องอยู่ในตำแหน่งปิดก่อนเสียบปลั๊กของเครื่องเข้ากับแหล่งจ่ายไฟ และ/หรือแบตเตอรี่ ยกหรือหัวเครื่องมือ การยกเครื่องมือด้วยนิ้วมือบริเวณสวิตช์เปิดปิด หรือเสียบปลั๊กขณะที่สวิตช์เปิดอยู่ อาจก่อให้เกิดอุบัติเหตุได้
- เอาประแจปรับตั้งหรือประแจต่างๆ ออกก่อนที่จะเปิดเครื่องมือให้ทำงาน ประแจที่ยังค้างอยู่บริเวณชิ้นส่วนที่เคลื่อนไหวได้ของเครื่องมือ อาจก่อให้เกิดการบาดเจ็บได้
- อย่าใช้งานในลักษณะของการเอื้อมมือ ขณะใช้เครื่องมือควรยืนให้มั่นคงและมีความสมดุลอยู่ตลอดเวลา ซึ่งจะช่วยให้สามารถควบคุมเครื่องมือได้ดีกว่าเมื่อเกิดเหตุการณ์ไม่คาดฝันขึ้น

- ๘) แดงกายให้เหมาะสม อย่าสวมเสื้อผ้าที่หลวมหรือเครื่องประดับ ระวังไม่ให้ผมทียาว เสื้อผ้าหรือถุงมือ เข้าใกล้ชิ้นส่วนที่เคลื่อนไหวได้ เสื้อผ้าที่หลวม เครื่องประดับ หรือผมทียาว อาจจะถูกเกี่ยวเข้าไปในส่วนที่เคลื่อนไหวได้ของเครื่องมือ
- ๙) ถ้าเครื่องมือมีอุปกรณ์ที่ขัดกับและกำจัดฝุ่น ดูให้แน่ใจว่าอุปกรณ์เหล่านี้ต้องอยู่และใช้อย่างเหมาะสม การใช้อุปกรณ์เหล่านี้จะช่วยลดอันตรายที่เกี่ยวข้องกับฝุ่น

4) การใช้งานและการดูแลเครื่องมือไฟฟ้า

- ก) อย่าใช้แรงฝืนเครื่องมือ ใช้เครื่องมือให้เหมาะสมกับลักษณะของงานที่จะทำ เครื่องมือจะทำงานได้ดีและปลอดภัยกว่าหากใช้งานตามที่กำหนดที่ได้กำหนดให้ใช้
- ข) ห้ามใช้เครื่องมือนี้ถ้าสวิทช์เปิดปิดมีความบกพร่อง เครื่องมือไฟฟ้าที่ไม่สามารถควบคุมด้วยสวิทช์ได้ เป็นอันตรายอย่างยิ่ง และจะต้องได้รับการซ่อมแซมโดยด่วน
- ค) ถอดปลั๊กของเครื่องมือไฟฟ้าออกจากแหล่งจ่ายไฟ และ/หรือ แบตเตอรี่ก่อนทำการปรับแต่ง เปลี่ยนอุปกรณ์เสริม หรือจัดเก็บ มาตรการเพื่อความปลอดภัยเชิงการป้องกันนี้จะช่วยลดความเสี่ยงในการปล่อยเปิดเครื่องให้ทำงานโดยไม่ตั้งใจ
- ง) เก็บเครื่องมือไฟฟ้าที่พร้อมใช้งานไว้ให้พ้นมือเด็ก และไมอนุญาตให้บุคคลที่ไม่คุ้นเคยกับเครื่องมือไฟฟ้าหรือคำแนะนำเหล่านี้เป็นผู้ใช้เครื่องมือ เนื่องจากเครื่องมืออาจจะก่อให้เกิดอันตรายได้ถ้าอยู่ในมือผู้ใช้ที่ไม่ได้รับการฝึกฝนในการใช้งาน
- จ) ดูแลรักษาเครื่องมือไฟฟ้า ตรวจสอบว่ามีความผิดปกติหรือมีการติดขัดในส่วนที่เคลื่อนไหวได้ มีชิ้นส่วนที่แตกหักหรือมีสภาพอื่นใดที่อาจมีผลต่อการใช้งานของเครื่องมือหรือไม่ ถ้าเสียหาย จะต้องแก้ไขเครื่องมือให้เรียบร้อยก่อนใช้งาน เนื่องจากอุบัติเหตุส่วนใหญ่เกิดจากการขาดการบำรุงรักษาเครื่องมือให้ดี
- ฉ) เก็บรักษาเครื่องมือสำหรับตัดให้คมและสะอาดอยู่เสมอ การดูแลเครื่องมือสำหรับตัดที่มีคมตัดอย่างเหมาะสมจะช่วยให้เครื่องมือไม่ติดขัดและง่ายต่อการควบคุม
- ช) ใช้เครื่องมือไฟฟ้า อุปกรณ์เสริม และดอกสว่านต่างๆ ตามข้อแนะนำการใช้งานและด้วยวิธีใช้งานที่กำหนด สำหรับเครื่องมือไฟฟ้าชนิดนี้ๆ โดยคำนึงถึงสภาพการใช้งานและลักษณะของงาน การใช้เครื่องมือไฟฟ้าในการทำงานที่นอกเหนือจากที่ได้กำหนดให้ใช้งานอาจจะทำให้เกิดอันตรายได้

5) การใช้งานและการดูแลแบตเตอรี่

- ก) ชาร์จไฟแบตเตอรี่ด้วยเครื่องชาร์จที่ระบุโดยผู้ผลิตเท่านั้น เครื่องชาร์จที่เหมาะสมกับแบตเตอรี่ชนิดหนึ่งอาจจะทำให้มีความเสี่ยงต่อการเกิดไฟไหม้ขึ้นได้ เมื่อนำไปใช้กับแบตเตอรี่อีกชนิดหนึ่ง
- ข) ใช้แบตเตอรี่ชนิดที่กำหนดมาให้ใช้กับเครื่องมือไฟฟ้าชนิดๆ เท่านั้น การใช้แบตเตอรี่ชนิดอื่นๆ อาจจะก่อให้เกิดความเสี่ยงต่อการบาดเจ็บและไฟไหม้ได้
- ค) เมื่อไม่ได้ใช้งานแบตเตอรี่ เก็บแบตเตอรี่ให้ห่างจากวัตถุที่เป็นโลหะ เช่น คลิปหนีบกระดาษ เหรียญ กุญแจ ตะปู สกรู หรือวัตถุที่เป็นโลหะขนาดเล็กที่สามารถสัมผัสขั้วทั้งสองของแบตเตอรี่ได้ ถ้าขั้วทั้งสองของแบตเตอรี่ถูกลัดวงจร อาจจะก่อให้เกิดการไหม้ได้
- ง) ในสภาพแวดล้อมที่อาจทำให้มีของเหลวออกมาจากแบตเตอรี่ได้ หลีกเลี่ยงอย่าสัมผัสของเหลวดังกล่าว ถ้าของเหลวถ้าสัมผัสสัมผัสให้รีบล้างออกด้วยน้ำ ถ้าของเหลวนั้นเข้าตา จะต้องรีบไปหาแพทย์โดยเร็ว ของเหลวที่ออกมาจากแบตเตอรี่อาจสร้างความระคายเคืองหรือเกิดการไหม้ต่อผิวหนังได้

6) การแก้ไข

- ก) การแก้ไขเครื่องมือจะต้องทำโดยช่างที่เชี่ยวชาญและใช้ชิ้นส่วนที่เหมือนกันในการเปลี่ยนเท่านั้น ซึ่งจะช่วยให้อุปกรณ์มีความปลอดภัยในการใช้งานอยู่เสมอ

กฎเกณฑ์เพิ่มเติมด้านความปลอดภัยเฉพาะสำหรับประแจกระแทก

- จับเครื่องมือไฟฟ้าที่พื้นผิวส่วนที่ใช้จับซึ่งมีฉนวนป้องกันในขณะที่ใช้งานเครื่องซึ่งตัวขนแน่นอาจสัมผัสกับสายไฟที่ซ่อนอยู่ ตัวขนแน่นที่สัมผัสกับสายไฟ “มีไฟฟ้า” อาจทำให้ส่วนของโลหะที่ถูกสัมผัส “มีไฟฟ้า” และทำให้ผู้ใช้เครื่องมือถูกไฟฟ้าดูดได้

ความเสี่ยงสะสม

แม้จะปฏิบัติตามข้อกำหนดด้านความปลอดภัยที่เกี่ยวข้องและใช้อุปกรณ์ที่รักษา แต่ยังไม่สามารถหลีกเลี่ยงความเสี่ยงสะสมบางประเภทได้ ความเสี่ยงเหล่านี้ได้แก่:

- ความบกพร่องในการเดินเสียง
- ความเสี่ยงที่จะได้รับบาดเจ็บจากเศษชิ้นงานที่ปลิวว่อน
- ความเสี่ยงที่จะเกิดรอยไหม้เนื่องจากอุปกรณ์เสริมที่ร้อนขึ้นในระหว่างใช้งาน
- ความเสี่ยงที่จะได้รับบาดเจ็บเนื่องจากการใช้งานติดต่อกันเป็นเวลานาน

สัญลักษณ์บนเครื่องมือ

รูปภาพต่อไปนี้จะปรากฏบนเครื่องมือ:



อ่านคู่มือการใช้งานก่อนใช้เครื่อง

ตำแหน่งของรหัสวันที่

รหัสวันที่ ซึ่งรวมถึงปีที่ผลิต จะถูกพิมพ์ไว้ที่พื้นผิวของส่วน ตัวเครื่องซึ่งเป็นจุดเชื่อมต่อระหว่างเครื่องมือกับแบตเตอรี่ ตัวอย่างเช่น:

2011 XX XX

ปีที่ผลิต

คำแนะนำด้านความปลอดภัยที่สำคัญสำหรับ เครื่องชาร์จแบตเตอรี่ทั้งหมด

เก็บรักษาคำแนะนำเหล่านี้ไว้: คู่มือนี้ประกอบด้วยข้อมูล ความปลอดภัยที่สำคัญและขั้นตอนการใช้งานเครื่องชาร์จ แบตเตอรี่ DCB100 และ DCB105

- ก่อนใช้งานเครื่องชาร์จ โปรดอ่านคำแนะนำและสัญลักษณ์ เตือนทั้งหมดบนเครื่องชาร์จ แบตเตอรี่ และผลิตภัณฑ์ ที่ใช้แบตเตอรี่



คำเตือน: อันตรายจากการถูกไฟดูด อย่าให้มี ของเหลวเข้าไปภายในเครื่องชาร์จ เพราะอาจ ทำให้เกิดไฟฟ้าดูดได้



ข้อควรระวัง: อันตรายจากไฟลวก เพื่อลด ความเสี่ยงจากการได้รับบาดเจ็บ ให้ชาร์จเฉพาะ แบตเตอรี่แบบชาร์จได้ของ DEWALT เท่านั้น แบตเตอรี่ชนิดอื่นอาจทำให้เกิดการระเบิด ซึ่งเป็นสาเหตุของการบาดเจ็บและความเสียหาย



ข้อควรระวัง: เด็กควรอยู่ภายใต้การดูแล เพื่อให้แน่ใจว่าเด็กจะไม่เล่นเครื่องมือ **ข้อสังเกต:** ภายใต้อาณัติบางอย่าง เครื่องชาร์จที่เสียบปลั๊กไฟ อาจเกิดการลัด วงจรได้โดยมีสาเหตุจากวัตถุแปลกปลอม ซึ่งเป็นสื่อนำไฟฟ้าโดยธรรมชาติ เช่น (แต่ไม่ จำกัดเฉพาะ) ฝุ่นทรายจากการสกัดเจาะ เศษโลหะ ฝอยขี้ดโลหะ ฝอยลึ่อะลูมิเนียม หรือผงโลหะสะสม ทั้งหมดนี้ควรระวังไม่ให้ เข้าไปในช่องเสียบของเครื่องชาร์จ เมื่อไม่มี แบตเตอรี่อยู่ในช่องเสียบให้ดึงปลั๊กเครื่องชาร์จ ออกจากแหล่งจ่ายไฟทุกครั้ง และถอดปลั๊ก เครื่องชาร์จออกก่อนทำความสะอาด

- ห้ามชาร์จแบตเตอรี่ด้วยเครื่องชาร์จชนิดอื่นนอกเหนือ จากที่กำหนดไว้ในคู่มือนี้ เครื่องชาร์จและแบตเตอรี่ได้ รับการออกแบบมาให้ใช้ด้วยกันโดยเฉพาะเท่านั้น

- เครื่องชาร์จเหล่านี้มีไว้สำหรับชาร์จแบตเตอรี่แบบ ชาร์จได้ของ DEWALT เท่านั้น ไม่ได้มีวัตถุประสงค์ สำหรับการใช้งานประเภทอื่น หากใช้งานผิดวัตถุประสงค์ อาจทำให้เกิดไฟไหม้ ไฟฟ้าดูด หรือเป็นอันตรายถึงชีวิตได้
- อย่าให้เครื่องชาร์จถูกฝนหรือหิมะ
- ขณะปลดสายเครื่องชาร์จ ให้ดึงที่หัวปลั๊ก ไม่ควรดึง ที่สายไฟ เพื่อป้องกันไม่ให้ปลั๊กไฟและสายไฟชำรุด เสียหาย
- ตรวจสอบตำแหน่งสายไฟเพื่อดูว่าสายไฟจะไม่ถูกทับ หรือทำให้เกิดการสะดุดล้ม มีเดันนั้นอาจทำให้เกิดความ เสียหายหรือเกิดความเค้นของอุปกรณ์ได้
- ห้ามใช้สายพ่วงเว้นแต่จำเป็นจริงๆ หากใช้สายพ่วงที่ไม่เหมาะสม อาจทำให้เกิดไฟไหม้ ไฟฟ้าดูด หรือเป็น อันตรายถึงชีวิตได้
- ห้ามวางวัตถุใดๆ บนเครื่องชาร์จ หรือวางเครื่องชาร์จ บนพื้นผิวที่อ่อนนุ่ม เพราะอาจไปกีดขวางการระบาย อากาศของลม และเป็นสาเหตุให้เกิดความร้อนภายใน สูงเกิน วางเครื่องชาร์จให้ห่างจากแหล่งกำเนิดความร้อน ความร้อนจากเครื่องชาร์จจะระบายออกผ่านทางช่องลม ที่อยู่ด้านบนและด้านล่างของตัวเครื่อง
- ห้ามใช้เครื่องชาร์จหากสายไฟหรือปลั๊กชำรุดเสียหาย ให้ทำการเปลี่ยนโดยทันที
- ห้ามใช้เครื่องชาร์จหากเกิดการกระแทกอย่างแรง เครื่องตกหล่น หรือเมื่อเครื่องชำรุดเสียหายไม่ว่าด้วย เหตุใดๆ ให้นำเครื่องชาร์จเข้าศูนย์บริการที่ได้รับอนุญาต
- ห้ามถอดประกอบเครื่องชาร์จ หากต้องการซ่อมแซม ให้นำเครื่องไปที่ศูนย์บริการที่ได้รับอนุญาต เพราะการ ถอดประกอบเครื่องที่ไม่ถูกต้อง อาจทำให้เกิดไฟไหม้ ไฟฟ้าดูด หรือเป็นอันตรายถึงชีวิตได้
- ในกรณีที่สายไฟชำรุด จะต้องให้บริษัทผู้ผลิต ตัวแทน ศูนย์บริการ หรือช่างซ่อม ที่มีความเชี่ยวชาญ เป็นผู้ เปลี่ยนสายไฟในทันที เพื่อป้องกันอันตรายที่อาจเกิดขึ้น
- ปลดสายเครื่องชาร์จออกจากเต้ารับก่อนที่จะทำความสะอาด การทำเช่นนี้จะช่วยลดความเสี่ยงจากการเกิด ไฟฟ้าดูด การถอดแบตเตอรี่ออกเพียงอย่างเดียวไม่ช่วย ให้ความเสี่ยงดังกล่าวลดลง
- ห้ามต่อเครื่องชาร์จ 2 เครื่องเข้าด้วยกัน
- เครื่องชาร์จได้รับการออกแบบมาเพื่อใช้งานกับไฟฟ้า อาคารขนาด 220V ห้ามใช้กับแหล่งไฟฟ้าที่มีแรงดัน ไฟฟ้าขนาดอื่น ยกเว้นกรณีของเครื่องชาร์จที่ต่อกับ รถยนต์

โปรดเก็บคำแนะนำเหล่านี้ไว้

เครื่องชาร์จ

เครื่องชาร์จ DCB100 และ DCB10 5 รองรับแบตเตอรี่ Li-Ion 10.8 V

เครื่องชาร์จเหล่านี้ได้รับการออกแบบให้้ง่ายต่อการใช้งาน และไม่จำเป็นต้องทำการปรับตั้งใดๆ เพิ่มเติมอีก

ขั้นตอนการชาร์จ (ภาพ 2)

1. เสียบปลั๊กเครื่องชาร์จ (K) เข้ากับเต้ารับที่เหมาะสม ก่อนที่จะเสียบแบตเตอรี่
2. เสียบแบตเตอรี่ลงในเครื่องชาร์จ หากไฟสีแดง (กำลังชาร์จ) จะพริบต่อเนื่อง แสดงว่า เครื่องชาร์จเริ่มทำการชาร์จแล้ว
3. หากไฟสีแดงติดสว่างค้างอยู่ แสดงว่าการชาร์จเสร็จสิ้นแล้ว แบตเตอรี่ได้รับการชาร์จไฟเต็มแล้วและสามารถนำไปใช้งานได้ทันทีหรืออาจปล่อยให้ในเครื่องชาร์จก็ได้

หมายเหตุ: เพื่อให้แบตเตอรี่ Li-Ion มีประสิทธิภาพและอายุการใช้งานสูงสุด โปรดชาร์จแบตเตอรี่ให้เต็มก่อนใช้งานครั้งแรก

กระบวนการชาร์จ

โปรดดูตารางด้านล่างสำหรับสถานะการชาร์จแบตเตอรี่

สถานะการชาร์จ	
กำลังชาร์จ	- - - - -
ชาร์จเต็มแล้ว	_____
หยุดรอเนื่องจากแบตเตอรี่ร้อน/เย็น	--- --- ---
เปลี่ยนแบตเตอรี่	●●●●●●●●

หยุดรอเนื่องจากแบตเตอรี่ร้อน/เย็น

เมื่อเครื่องชาร์จตรวจพบว่าแบตเตอรี่ร้อนหรือเย็นเกินไป เครื่องชาร์จจะหยุดรอเนื่องจากแบตเตอรี่ร้อน/เย็น โดยอัตโนมัติ โดยชะลอการชาร์จจนกว่าแบตเตอรี่จะมีอุณหภูมิที่เหมาะสม จากนั้นเครื่องชาร์จจะเปลี่ยนไปที่โหมดการชาร์จโดยอัตโนมัติ คุณลักษณะนี้ช่วยให้แบตเตอรี่มีอายุการใช้งานยาวนานสูงสุด

เฉพาะแบตเตอรี่ลิเทียมไอออนเท่านั้น

แบตเตอรี่ลิเทียมไอออนได้รับการออกแบบด้วยระบบป้องกันอิเล็กทรอนิกส์ (Electronic Protection System) ที่ช่วยปกป้องแบตเตอรี่จากการโอเวอร์โวลต์ โอเวอร์ฮีท หรือการคายประจุไฟจนเหลือต่ำกว่า 20%

เครื่องมือนี้จะปิดการทำงานโดยอัตโนมัติหากระบบป้องกันอิเล็กทรอนิกส์ทำงาน หากเกิดการแจ้งเตือนแล้ว ให้เสียบแบตเตอรี่ลิเทียมไอออนไว้ในเครื่องชาร์จจนกว่าจะชาร์จไฟเต็ม

ข้อควรปฏิบัติทางด้านความปลอดภัยในการใช้งานแบตเตอรี่ทุกประเภท

ในการสั่งซื้อแบตเตอรี่รุ่นใหม่ ให้ระบุรหัสสินค้าและระดับแรงดันให้ถูกต้อง

แบตเตอรี่ใหม่ที่เพิ่งแกะกล่องเป็นแบตเตอรี่ที่ยังไม่ได้ชาร์จไฟจนเต็ม ก่อนการใช้งานแบตเตอรี่กับเครื่องชาร์จ ให้ศึกษาข้อควรปฏิบัติเพื่อความปลอดภัยด้านล่างนี้ หลังจากนั้น จึงค่อยทำการชาร์จไฟตามขั้นตอนที่กำหนด

อ่านข้อควรปฏิบัติทั้งหมด

- ห้ามทำการชาร์จไฟหรือใช้งานแบตเตอรี่ในพื้นที่ที่มีโอกาสระเบิด เช่น มีของเหลวที่ติดไฟ แก๊ส หรือฟอสฟอรัสติดไฟได้ เครื่องมือไฟฟ้าจะก่อให้เกิดประกายไฟ ซึ่งอาจทำให้ฝุ่นละอองหรือสารเคมีเหล่านี้ติดไฟได้
- อย่าฝืนออกแรงกดแบตเตอรี่ลงในเครื่องชาร์จ และห้ามไม่ให้รับแรงแบตเตอรี่ไม่เข้าด้วยวิธีใดๆ เพื่อให้สามารถใส่ลงในเครื่องชาร์จที่ไม่รองรับแบตเตอรี่ชนิดนั้น เพราะอาจทำให้แบตเตอรี่แตกหักและเป็นสาเหตุทำให้เกิดการบาดเจ็บสาหัสได้
- ให้ชาร์จไฟแบตเตอรี่ด้วยเครื่องชาร์จของ DEWALT เท่านั้น
- อย่าให้น้ำหรือของเหลวกระเซ็นใส่หรือนำแบตเตอรี่ไปแช่น้ำ
- ห้ามเก็บหรือใช้งานเครื่องมือและแบตเตอรี่ในสถานที่อุณหภูมิอาจขึ้นสูงถึงหรือเกิน 40°C (105°F) (เช่น ในโรงเรือนกลางแจ้งหรือโรงเรือนที่สร้างจากโลหะในช่วงฤดูร้อน)



คำเตือน: การเสียชีวิตจากกระแสไฟฟ้า ห้ามแกะแบตเตอรี่ไม่ว่าในกรณีใดๆ โดยเด็ดขาด หากพบว่าโครงแบตเตอรี่มีรอยร้าวหรือชำรุดเสียหาย ห้ามใส่แบตเตอรี่เข้าไปในเครื่องชาร์จ เนื่องจากอาจเกิดการบาดเจ็บหรือเสียชีวิตเนื่องจากไฟฟ้าดูดได้ ควรส่งแบตเตอรี่ที่ชำรุดเสียหายกลับไปยังศูนย์บริการเพื่อนำไปรีไซเคิล



ข้อควรระวัง: เมื่อไม่ได้ใช้งาน ให้วางเครื่องมือบนถาดบนพื้นราบ เพื่อไม่ให้เกิดอันตรายจากการสะดุดหรือหล่น ทั้งนี้เนื่องจากเครื่องมือบางรุ่นที่มีแบตเตอรี่ขนาดใหญ่อาจวางตั้งได้ แต่ก็จะมีสิ่งง่ายเช่นกัน

ขอแนะนำเพิ่มเติมด้านความปลอดภัยในการใช้งานแบตเตอรี่แบบลิเทียมไอออน (Li-Ion)

- ห้ามนำแบตเตอรี่ไปเผาไฟ แม้จะเป็นแบตเตอรี่ที่เสียหายหรือแตกหักแล้วก็ตาม เนื่องจากแบตเตอรี่นั้นสามารถระเบิดได้เมื่ออยู่ในเปลวไฟ เมื่อแบตเตอรี่แบบลิเทียมไอออนถูกเผาไหม้จะก่อให้เกิดควันพิษและสารพิษ
- หากผิวหนังของท่านสัมผัสกับสารที่อยู่ในแบตเตอรี่ ให้ล้างออกทันทีโดยใช้น้ำและสบู่ที่มีฤทธิ์อ่อน หากของเหลวจากแบตเตอรี่เข้าไปในดวงตาของท่าน ให้ล้างออกด้วยน้ำสะอาดเป็นเวลาอย่างน้อย 15 นาที หรือจนกว่าจะหยุดระคายเคืองในดวงตา หากจำเป็นต้องให้ข้อมูลกับแพทย์ สารละลายในแบตเตอรี่ประกอบด้วยส่วนผสมของคาร์บอนเตตระไฮไดรด์และเกลือลิเทียม

- **สารที่อยู่ในแบตเตอรี่ที่ถูกแกะออกมาจากก่อให้เกิดการระคายเคืองต่อทางเดินหายใจได้** ในกรณีดังกล่าว ต้องทำให้ผู้ที่สูดดมสารดังกล่าวนั้นได้รับอากาศที่บริสุทธิ์ หากอาการยังไม่ดีขึ้น ให้รีบไปพบแพทย์



คำเตือน: อันตรายจากการเผาไหม้ของเหลวที่อยู่ในแบตเตอรี่ อาจเกิดการติดไฟได้ หากโดนสะเก็ดไฟหรือเปลวไฟ

แบตเตอรี่

ชนิดแบตเตอรี่

เครื่อง DCD815 ทำงานโดยใช้แบตเตอรี่ขนาด 10.8 โวลต์

ข้อแนะนำในการเก็บรักษา

1. สถานที่สำหรับการเก็บรักษาที่ดีที่สุดคือ บริเวณที่แห้งและเย็น ไม่มีแสงแดดส่องถึง และไม่ร้อนหรือเย็นจนเกินไป หากไม่ได้ใช้งานแบตเตอรี่ โปรดเก็บไว้ในบริเวณที่มีอุณหภูมิห้องปกติ ทั้งนี้เพื่อประสิทธิภาพสูงสุดของการทำงานและอายุการใช้งานของแบตเตอรี่
2. กรณีที่จะเก็บแบตเตอรี่ไว้โดยไม่ใช้งานเป็นเวลานาน เพื่อให้ได้ผลดีที่สุดแนะนำให้เก็บแบตเตอรี่ที่ชาร์จเต็มแล้ว นอกเครื่องชาร์จในสถานที่แห้งและเย็น

หมายเหตุ: ไม่ควรเก็บรักษาแบตเตอรี่ในสภาพที่ไม่มีประจุเหลืออยู่เลย ต้องชาร์จแบตเตอรี่ใหม่ก่อนนำกลับมาใช้อีกครั้ง

ป้ายฉลากบนเครื่องชาร์จและแบตเตอรี่

นอกจากภาพสัญลักษณ์ที่ใช้ในคู่มือเล่มนี้แล้ว ยังมีป้ายฉลากบนเครื่องชาร์จและแบตเตอรี่ที่แสดงภาพสัญลักษณ์ต่อไปนี้อีกด้วย:



อ่านคู่มือการใช้งานก่อนใช้เครื่อง



แบตเตอรี่กำลังชาร์จ



แบตเตอรี่ชาร์จเต็มแล้ว



แบตเตอรี่ผิดปกติ



หยุดรอนเนื่องจากแบตเตอรี่ร้อน/เย็น



ห้ามต่อเข้ากับวัตถุตัวนำ



ห้ามชาร์จหากแบตเตอรี่ชำรุด



ใช้กับแบตเตอรี่ DEWALT เท่านั้น หากใช้แบตเตอรี่ชนิดอื่น อาจทำให้เกิดการระเบิด เป็นสาเหตุให้ร่างกายบาดเจ็บและทรัพย์สินเสียหายได้



ห้ามทำให้เปียกน้ำ



เปลี่ยนสายไฟที่ใช้งานไม่ได้ตามปกติโดยทันที



ชาร์จที่อุณหภูมิระหว่าง 4°C และ 40°C เท่านั้น



กำจัดถังแบตเตอรี่โดยคำนึงถึงสิ่งแวดล้อม

LI-ION



ห้ามเผาแบตเตอรี่



โปรดอ้างอิงระยะเวลาในการชาร์จจากข้อมูลทางด้านเทคนิค



ใช้ภายในอาคารเท่านั้น

รายการส่วนประกอบบรรจุภัณฑ์

ภายในบรรจุภัณฑ์ประกอบด้วย:

- ไขควงกระแทก 1 เครื่อง
- เครื่องชาร์จ 1 เครื่อง
- แบตเตอรี่ 2 ก้อน
- ดอกไขควงกระแทก 1 ชิ้น
- คู่มือการใช้งาน 1 เล่ม
- ตะขอเข็มขัด 1
- สกรูตะขอเข็มขัด 1

หมายเหตุ: แบตเตอรี่และเครื่องชาร์จจะไม่รวมอยู่ในรุ่น N

- ตรวจสอบร่องรอยความเสียหายของเครื่องมือ ชิ้นส่วนหรืออุปกรณ์เสริม ที่อาจเกิดขึ้นในระหว่างการขนส่ง
- อ่านและทำความเข้าใจคู่มือเล่มนี้ก่อนการใช้งาน

คำอธิบาย (ภาพ 1)



คำเตือน: ห้ามดัดแปลงเครื่องมือไฟฟ้าหรือส่วนประกอบต่างๆ เพราะอาจทำให้เครื่องมือชำรุดหรือได้รับบาดเจ็บได้

- a. สวิตช์ปรับระดับความเร็ว
- b. ปุ่มเดินหน้า/ถอยหลัง
- c. ป्लอกปรับแรงบิด
- d. ตัวจับดอกสว่านหกเหลี่ยมแบบปลดเร็ว 1/4" (6.35 มม.)
- e. ปุ่มปลดแบตเตอรี่
- f. แบตเตอรี่
- g. ไฟส่องพื้นที่ทำงาน
- h. ด้ามจับตัวหลัก
- i. สกรูตะขอเข็มขัด
- j. ตะขอเข็มขัด

วัตถุประสงค์ในการใช้งาน

ประแจไขควงกระแทกนี้ออกแบบมาสำหรับการใช้งานแบบมืออาชีพ คุณสมบัติการกระแทกทำให้เครื่องมือนี้เหมาะสำหรับการขันตัวยึดในไม้ โลหะ และคอมกรีตโดยเฉพาะ

ห้ามใช้ในบริเวณที่เปียกชื้น หรือมีของเหลวไวไฟหรือแก๊ส อยู่ในบริเวณดังกล่าว

ประแจไขควงกระแทกนี้เป็นเครื่องมือไฟฟ้าสำหรับมืออาชีพ

ห้ามให้เด็กสัมผัสกับเครื่องมือไฟฟ้านี้ ผู้ใช้ที่ไม่มีประสบการณ์มาก่อน ต้องได้รับการแนะนำในขณะที่ใช้เครื่องมือนี้

- ผลักดันที่นี้ไม่ได้มีไว้เพื่อการใช้งานโดยบุคคล (รวมถึงเด็ก) ที่มีความบกพร่องในด้านสมรรถภาพทางกาย การรับความรู้สึก หรือสมรรถภาพทางจิตใจ หรือผู้ที่ขาดประสบการณ์ และ/หรือผู้ที่ต้องการความช่วยเหลือ เว้นแต่บุคคลเหล่านี้จะได้รับการควบคุมดูแลโดยบุคคลที่มีหน้าที่รับผิดชอบต่อความปลอดภัย อย่าปล่อยให้เด็กทิ้งไว้ให้เล่น ผลักดันที่นี้โดยลำพัง

ตะขอเข็มขัด (ตัวเลือกอุปกรณ์เสริม)



คำเตือน: เพื่อลดความเสี่ยงจากการบาดเจ็บที่รุนแรงต่อบุคคล ให้ตั้งปุ่มเดินหน้า/ ย้อนกลับในตำแหน่งล็อกหรือปิดเครื่องมือและถอดแบตเตอรี่ออกก่อนทำการปรับใดๆ หรือทำการถอด / ติดตั้งอุปกรณ์ตัดตัดหรืออุปกรณ์เสริม



คำเตือน: เพื่อลดความเสี่ยงจากการบาดเจ็บที่รุนแรงต่อบุคคล ห้ามแขวนเครื่องมือเหนือศีรษะหรือแขวนวัตถุจากตะขอเข็มขัด ให้แขวนตะขอเข็มขัดของเครื่องมือจากเข็มขัดทำงานเท่านั้น



คำเตือน: เพื่อลดความเสี่ยงจากการบาดเจ็บที่รุนแรงต่อบุคคล ให้มั่นใจว่าสกรูยึดตะขอเข็มขัดมันคงปลอดภัยดี

ข้อสำคัญ: เมื่อติดตั้งหรือเปลี่ยนตะขอเข็มขัดให้ใช้สกรู (I) ที่ให้มา ให้แน่ใจว่าได้ขันสกรูแน่นดี สามารถติดตั้งตะขอเข็มขัด (J) เข้ากับข้างใดข้างหนึ่งของเครื่องมือโดยใช้เพียงสกรู (I) ที่ให้มา เพื่ออำนวยความสะดวกให้กับผู้ใช้ถนัดซ้ายหรือขวามือ ถ้าไม่ต้องการตะขอเลย ก็สามารถถอดออกจากเครื่องมือ

เมื่อต้องการย้ายตะขอ ให้ถอดสกรู (I) ที่ยึดตะขอเข็มขัด แล้วประกอบอีกด้านหนึ่ง ให้แน่ใจว่าได้ขันสกรูแน่นดี

ความปลอดภัยทางไฟฟ้า

มอเตอร์ไฟฟ้าออกแบบมาเพื่อใช้กับแรงดันไฟฟ้าขนาดเดียวเท่านั้น ห้ามตรวจสอบแรงดันไฟฟ้าของแบตเตอรี่ให้ตรงกับแรงดันไฟฟ้าบนแผ่นแสดงพิกัด และแรงดันไฟฟ้าของเครื่องชาร์จจะต้องตรงกับแรงดันไฟฟ้าหลักของคุณ



เครื่องชาร์จ DEWALT มีฉนวนสองชั้น

ตามมาตรฐานของ EN 60335

ดังนั้น จึงไม่จำเป็นต้องต่อสายดิน

ถ้าสายไฟที่หักทำให้เกิดความชำรุดเสียหาย ต้องเปลี่ยนเป็นสายไฟที่จัดเตรียมเป็นพิเศษ ซึ่งสั่งซื้อได้จากศูนย์บริการของ DEWALT

การใช้สายพ่วง

ไม่ควรใช้สายพ่วงเว้นแต่จำเป็นจริงๆ ควรใช้สายพ่วงที่ผ่านการรับรองและเหมาะสมกับกำลังไฟเข้าของเครื่องชาร์จ (ดูข้อมูลทางด้านเทคนิค) ขนาดของลวดนำไฟฟ้าต่ำสุดคือ 1 ตร.มม. ความยาวสูงสุดคือ 30 ม.

เมื่อใช้อุปกรณ์ม้วนเก็บสายไฟ ให้คลายสายไฟออกจนหมดก่อน

การประกอบและการปรับแต่ง



คำเตือน: ก่อนการประกอบและการปรับแต่ง ให้ถอดแบตเตอรี่ออกทุกครั้ง ปิดสวิตช์เครื่องมือทุกครั้งก่อนใส่หรือถอดแบตเตอรี่ออก



คำเตือน: ใช้แบตเตอรี่และเครื่องชาร์จของ DEWALT เท่านั้น

การใส่และการถอดแบตเตอรี่ออกจากเครื่องมือ (ภาพ 2)



คำเตือน: เพื่อลดความเสี่ยงจากการบาดเจ็บสาหัส ให้ปรับปุ่มเดินหน้า/ถอยหลังให้อยู่ในตำแหน่งล็อก หรือปิดเครื่องมือและถอดแบตเตอรี่ออกก่อนทำการปรับแต่ง หรือการถอด/การติดตั้งอุปกรณ์ประกอบหรืออุปกรณ์เสริม

หมายเหตุ: ตรวจสอบให้แน่ใจว่าแบตเตอรี่ของคุณชาร์จเต็มแล้ว

การใส่แบตเตอรี่ในมือจับของเครื่องมือ

1. วางแบตเตอรี่ให้ตรงกับรางภายในมือจับ
2. เลื่อนแบตเตอรี่เข้าที่จนกระทั่งคุณได้ยินเสียงล็อกเข้าที่

การถอดแบตเตอรี่ออกจากเครื่องมือ

1. กดปุ่มปลด (f) และถอดแบตเตอรี่ออกจากมือจับของเครื่องมือ
2. ใส่แบตเตอรี่ในเครื่องชาร์จตามที่อธิบายไว้ในส่วนของเครื่องชาร์จในคู่มือนี้

การใช้งานเครื่อง

วิธีการใช้เครื่อง



คำเตือน: ทำตามคำแนะนำด้านความปลอดภัย และข้อกำหนดที่ให้เสมอ



คำเตือน: เพื่อลดความเสี่ยงจากการบาดเจ็บสาหัส ให้ปรับปุ่มเดิหน้า/ถอยหลังให้อยู่ในตำแหน่งล็อค หรือปิดเครื่องและถอดแบตเตอรี่ก่อนทำการปรับแต่ง หรือการถอด/การติดตั้งอุปกรณ์ประกอบหรืออุปกรณ์เสริม

ตำแหน่งของการจับที่ถูกต้อง (ภาพ 1, 6)



คำเตือน: เพื่อลดความเสี่ยงจากการบาดเจ็บสาหัส ควรใช้ตำแหน่งของการจับที่ถูกต้องทุกครั้งตามที่แสดงในภาพ



คำเตือน: เพื่อลดความเสี่ยงจากการได้รับบาดเจ็บสาหัส จะต้องจับเครื่องมือให้แน่นทุกครั้ง เพื่อในกรณีที่เกิดการตอบสนองขึ้นแบบทันทีทันใด

ตำแหน่งของการจับที่ถูกต้องคือ มือหนึ่งอยู่บนมือจับหลัก (h)

สวิตช์ปรับระดับความเร็ว (ภาพ 1)

การเปิดเครื่อง ให้บีบที่สวิตช์เปิดปิดเครื่อง (a) การปิดเครื่อง ให้ปล่อยสวิตช์เปิดปิดเครื่อง เครื่องมือของคุณจะมีเบรกติดตั้งมาด้วย ตัวจับดอกสว่านจะหยุดเมื่อปล่อยมือจากสวิตช์เปิดปิดเครื่อง

สวิตช์ปรับระดับความเร็วช่วยให้คุณเลือกความเร็วที่ดีที่สุดสำหรับการใช้งานแต่ละอย่าง ยิ่งคุณบีบสวิตช์เปิดปิดเครื่องแรงมากขึ้น เครื่องมือก็จะทำงานเร็วขึ้น เพื่ออายุการใช้งานของเครื่องมือสูงสุด ให้ใช้ความเร็วแบบปรับได้สำหรับการเริ่มเจาะรูหรือตัวชิ้นแน่นเท่านั้น

หมายเหตุ: ไม่แนะนำให้ใช้ช่วงความเร็วแบบปรับได้อย่างต่อเนื่อง เพราะอาจทำให้สวิตช์ชำรุดเสียหายและควรหลีกเลี่ยง

ปุ่มควบคุมเดิหน้า/ถอยหลัง (ภาพ 1)

ปุ่มควบคุมเดิหน้า/ถอยหลัง (b) กำหนดทิศทางของเครื่องมือ และทำหน้าที่เป็นปุ่มล็อคอีกด้วย

หากต้องการเลือกการหมุนเดิหน้า ให้ปล่อยสวิตช์เปิดปิดเครื่อง และกดปุ่มควบคุมเดิหน้า/ถอยหลังทางด้านขวาของเครื่องมือ

หากต้องการเลือกถอยหลัง ให้กดปุ่มควบคุมเดิหน้า/ถอยหลังทางด้านซ้ายของเครื่องมือ ตำแหน่งกลางของปุ่มควบคุมจะล็อคเครื่องมือในตำแหน่งปิด ขณะเปลี่ยนตำแหน่งของปุ่มควบคุม ต้องแน่ใจว่าได้ปล่อยสวิตช์เปิดปิดเครื่องแล้ว

หมายเหตุ: ครั้งแรกที่เครื่องมือทำงาน หลังจากเปลี่ยนทิศทาง

ของการหมุน คุณอาจได้ยินเสียงคลิกเมื่อเริ่มเดินเครื่อง นี่เป็นเรื่องปกติและไม่ได้บ่งบอกว่ามีปัญหา

ไฟส่องพื้นที่ทำงาน (ภาพ 1)

มีไฟส่องพื้นที่ทำงาน (g) อยู่ใต้ปลอกปรับแรงบิด (c) ไฟส่องพื้นที่ทำงานจะทำงานเมื่อบีบสวิตช์เปิดปิดเครื่อง

หมายเหตุ: ไฟส่องพื้นที่ทำงานมีไว้เพื่อส่องพื้นที่ทำงานโดยตรงและไม่ได้มีจุดประสงค์เพื่อใช้แทนไฟฉาย

ตัวจับดอกสว่านแบบปลดเร็ว (ภาพ 1, 4)

หมายเหตุ: ตัวจับดอกสว่านรองรับอุปกรณ์เสริมทั่วทุกเหลี่ยม Hex ขนาด 1/4" (6.35 มม.) หรือดอกสว่านขนาด 1" (25.4 มม.) เท่านั้น ดอกสว่านขนาด 1" (25.4 มม.) ให้ใช้เฉพาะในบริเวณที่เข้าถึงได้ยาก

เลื่อนปุ่มเดิหน้า/ถอยหลัง (b) ให้อยู่ในตำแหน่งล็อค (ตรงกลาง) หรือถอดแบตเตอรี่ออกก่อนเปลี่ยนอุปกรณ์เสริม

การติดตั้งอุปกรณ์เสริม ดันอุปกรณ์เสริมเข้าไปในตัวจับดอกสว่านจนสุด ไม่จำเป็นต้องดึงปลอกตัวจับดอกสว่านขึ้นเพื่อล๊อคอุปกรณ์เสริมให้เข้าที่

การถอดอุปกรณ์เสริม ดึงปลอกตัวจับดอกสว่านออกทางด้านหน้าของตัวเครื่อง ถอดอุปกรณ์เสริม และคลายปลอกสว่าน

วิธีใช้

เครื่องมือของคุณมีแรงบิดเอาต์พุตดังนี้:

DCF815	ฟุต-ปอนด์	นิว-ปอนด์	Nm
DCF815	79	950	107



ข้อควรระวัง: ตัวชิ้นแน่นและ/หรือระบบต้องสามารถทนต่อระดับแรงบิดของเครื่องได้ แรงบิดที่มากเกินไปอาจเป็นสาเหตุให้เกิดความเสียหายและทำให้เกิดการบาดเจ็บได้

1. เสียบตัวรับบนหัวของตัวชิ้นแน่น ให้เครื่องมืออยู่ตรงกับตัวชิ้นแน่น
2. กดสวิตช์เพื่อเริ่มการทำงาน ตรวจสอบแรงบิดอย่างสม่ำเสมอด้วยประแจวัดแรงบิด เนื่องจากแรงบิดในการขันจะได้รับผลกระทบจากหลายปัจจัยรวมถึงสิ่งต่อไปนี้:
 - **แรงดันไฟฟ้า:** แรงดันไฟฟ้าที่ต่ำเนื่องจากแบตเตอรี่ใกล้หมดจะทำให้แรงบิดในการขันลดลง
 - **ขนาดของตัวรับ:** การใช้ตัวรับผิดขนาดจะส่งผลให้แรงบิดในการขันลดลง
 - **ขนาดของโบลต์:** เส้นผ่าศูนย์กลางของโบลต์ที่ใหญ่ขึ้นโดยทั่วไปแล้วจะต้องการแรงบิดในการขันสูงชันด้วย แรงบิดในการขันจะแปรผันตามความยาว ชนิด และสัมประสิทธิ์แรงบิด
 - **โบลต์:** เกลียวทั้งหมดจะต้องไม่เป็นสนิม และไม่มีเศษชิ้นส่วนอื่นใดที่จะส่งผลต่อแรงบิดในการขันที่เหมาะสม

- **วัสดุ:** ชนิดของวัสดุและพื้นผิวของวัสดุจะส่งผลต่อแรงบิดในการขัน
- **เวลาที่ใช้ในการขัน:** เวลาที่ใช้ในการขันที่มากขึ้นจะทำให้แรงบิดในการขันเพิ่มสูงขึ้นด้วย การขันสกรูที่นานเกินกว่าเวลาที่แนะนำจะส่งผลให้ตัวขันแน่นถูกขันแน่นเกินไป มีอาการเกลียวหวาน หรือเสียหายได้

การบำรุงรักษา

เครื่องมือไฟฟ้า DEWALT ออกแบบมาเพื่อให้สามารถใช้งานได้อย่างยาวนานต่อเนื่อง ด้วยการบำรุงรักษาที่ดีที่สุด การใช้งานตามที่ต้องการได้อย่างต่อเนื่อง จะขึ้นอยู่กับการดูแลรักษาเครื่องมือที่เหมาะสมและการทำความสะอาดอย่างสม่ำเสมอ



คำเตือน: เพื่อลดความเสี่ยงจากการได้รับบาดเจ็บสาหัส ให้ปิดสวิตช์เครื่องมือและถอดแบตเตอรี่ออกก่อนทำการปรับตั้งใดๆ หรือก่อนการถอดประกอบ/ติดตั้งเครื่องประกอบหรืออุปกรณ์เสริม การเปิดเครื่องโดยไม่ได้ตั้งใจอาจทำให้เกิดการบาดเจ็บได้

เครื่องชาร์จและแบตเตอรี่ไม่สามารถซ่อมแซมได้ ภายในอุปกรณ์ทั้งสองไม่มีชิ้นส่วนใดที่สามารถซ่อมแซมได้



การหล่อลื่น

ไม่ต้องใช้สารหล่อลื่นเพิ่มเติมกับเครื่องมือไฟฟ้านี้



การทำความสะอาด



คำเตือน: เป่าสิ่งสกปรกและฝุ่นละอองที่สะสมออกจากตัวเครื่องเป็นประจำด้วยลมแห้ง เนื่องจากสิ่งสกปรกมักสะสมอยู่ภายในและรอบๆ ซ่อระบายอากาศ สวมอุปกรณ์ป้องกันดวงตาและหน้ากากกันฝุ่นที่ได้มาตรฐานในขณะดำเนินการขันต่อนี้



คำเตือน: ห้ามใช้สารที่เป็นตัวทำละลายหรือสารเคมีที่มีฤทธิ์กัดกร่อนรุนแรงอื่นๆ ทำความสะอาดชิ้นส่วนของเครื่องมือที่ไม่ใช่โลหะ สารเคมีเหล่านี้อาจส่งผลต่อวัสดุที่ใช้ในชิ้นส่วนเหล่านี้ ใช้เฉพาะผ้าชุบน้ำสบู่อ่อนๆ เท่านั้น อย่าให้มีของเหลวค้างอยู่ภายในเครื่อง ห้ามจุ่มส่วนใดๆ ของเครื่องมือลงในของเหลว

คำแนะนำในการทำความสะอาดเครื่องชาร์จ



คำเตือน: อันตรายจากการถูกไฟดูด ถอดเครื่องชาร์จออกจากตัวรับ AC ก่อนที่จะ

ทำความสะอาด กำจัดฝุ่นละอองและคราบมัน ออกจากภายนอกของเครื่องชาร์จโดยใช้ผ้าหรือแปรงขนอ่อนที่ไม่ใช่โลหะ ห้ามใช้น้ำหรือน้ำยาทำความสะอาดทุกชนิด

อุปกรณ์เสริม



คำเตือน: เนื่องจากอุปกรณ์เสริมอื่นนอกเหนือจากที่ DEWALT มีจำหน่าย ไม่ได้ผ่านการทดสอบร่วมกับผลิตภัณฑ์นี้ จึงอาจเป็นอันตรายหากใช้อุปกรณ์เสริมดังกล่าวร่วมกับเครื่องมือนี้ เพื่อเป็นการลดความเสี่ยงจากการได้รับบาดเจ็บ ให้ใช้อุปกรณ์เสริมเฉพาะที่ DEWALT แนะนำให้ใช้ร่วมกับผลิตภัณฑ์นี้เท่านั้น

โปรดติดต่อตัวแทนจำหน่ายหากต้องการข้อมูลเพิ่มเติมเกี่ยวกับอุปกรณ์เสริมที่เหมาะสม

การปกป้องสิ่งแวดล้อม



การแยกเพื่อการจัดเก็บ ผลิตภัณฑ์ชิ้นนี้จะต้องไม่นำไปทิ้งปนกับขยะตามบ้านเรือนโดยทั่วไป

เมื่อท่านต้องการเปลี่ยนผลิตภัณฑ์จาก DEWALT เป็นเครื่องใหม่ หรือถ้าท่านไม่ต้องการใช้งานเครื่องนี้อีกต่อไป กรุณายำนำไปทิ้งปนกับขยะตามบ้านเรือนโดยทั่วไป แยกผลิตภัณฑ์นี้เพื่อการจัดเก็บต่างหาก



การแยกผลิตภัณฑ์และบรรจุภัณฑ์ที่ใช้แล้วเพื่อการจัดเก็บต่างหาก จะช่วยให้สามารถนำวัสดุไปรีไซเคิลและนำกลับมาใช้ได้อีกครั้ง การนำวัสดุที่ผ่านการรีไซเคิลกลับมาใช้ใหม่เป็นการช่วยป้องกันมลพิษต่อสิ่งแวดล้อมและลดปริมาณความต้องการวัตถุดิบจากธรรมชาติลง

เมื่อท่านซื้อผลิตภัณฑ์ใหม่ อาจจะมีข้อกำหนดในท้องถิ่นๆ ในการแยกการจัดเก็บผลิตภัณฑ์เครื่องใช้ไฟฟ้าจากบ้านเรือน โดยสถานที่กำจัดขยะของเทศบาลหรือโดยร้านค้าเอง

DEWALT มีบริการในการเก็บและการรีไซเคิลผลิตภัณฑ์ของ DEWALT ที่หมดอายุการใช้งานแล้ว ท่านสามารถใช้บริการนี้ได้ด้วยการนำสินค้าที่ไม่ใช้แล้วส่งไปยังตัวแทนให้บริการซ่อมที่ได้รับอนุญาต ซึ่งจะเป็นผู้เก็บสินค้าส่งคืนให้แก่เรา

ท่านสามารถสอบถามที่ตั้งของตัวแทนให้บริการซ่อมที่ได้รับอนุญาตที่อยู่ใกล้ท่านได้จากศูนย์ของ DEWALT ตามที่อยู่ที่ได้ระบุไว้ในคู่มือเล่มนี้ หรือสามารถดูรายชื่อตัวแทนให้บริการซ่อมที่ได้รับอนุญาตของ DEWALT รวมทั้งรายละเอียดทางด้านบริการหลังการขายและรายละเอียดในการติดต่อผ่านทางอินเทอร์เน็ทได้ที่: www.2helpU.com



แบตเตอรี่แบบชาร์จไฟใหม่ได้

แบตเตอรี่ชนิดที่มีอายุการใช้งานยาวนานนี้จำเป็นต้องได้รับการชาร์จไฟใหม่เมื่อไม่มีกำลังเพียงพอต่องานที่เคยทำได้ง่ายๆ เมื่อแบตเตอรี่หมดอายุการใช้งาน ให้กำจัดทิ้งโดยคำนึงถึงสิ่งแวดล้อมเป็นหลัก:

- ให้ใช้แบตเตอรี่ให้หมด แล้วถอดแบตเตอรี่ออกจากเครื่อง
- แบตเตอรี่แบบลิเธียมไอออน สามารถนำไปรีไซเคิลได้นำแบตเตอรี่ไปยังสถานบริการรีไซเคิลใกล้บ้านท่าน แบตเตอรี่ที่นำส่งดังกล่าวจะได้รับการรีไซเคิลหรือกำจัดทิ้งอย่างเหมาะสมต่อไป

