

DEWALT®

www.DEWALT.com

DCF6201

Figure 1

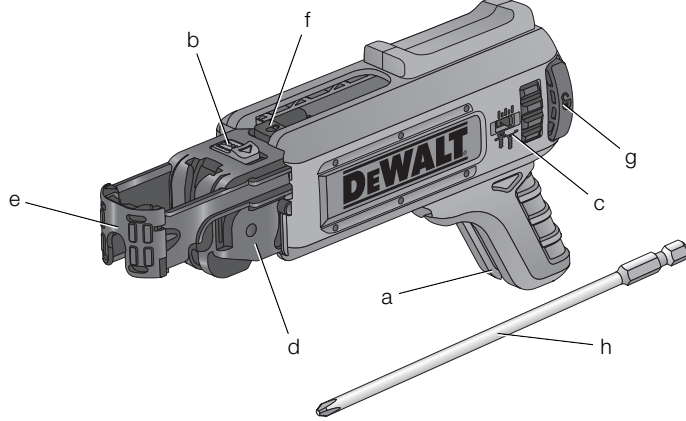


Figure 2

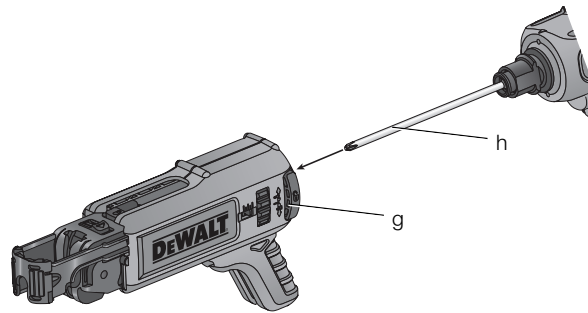


Figure 3

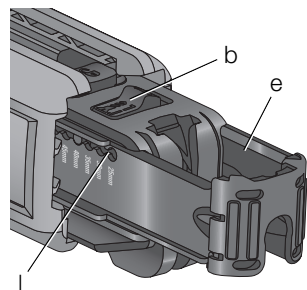


Figure 4

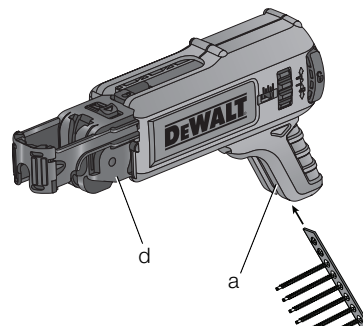
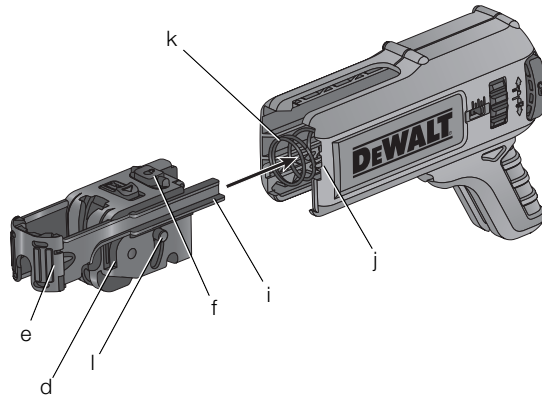


Figure 5



COLLATED MAGAZINE ATTACHMENT

DCF6201

Congratulations

You have chosen a DEWALT tool. Years of experience, thorough product development and innovation make DEWALT one of the most reliable partners for professional power tool users.

Technical Data

		DCF6201
Screw length suitability	mm	25 - 57
Weight	kg	0.36

Definitions: Safety Guidelines

The definitions below describe the level of severity for each signal word. Please read the manual and pay attention to these symbols.



DANGER: Indicates an imminently hazardous situation which, if not avoided, **will** result in **death or serious injury**.



WARNING: Indicates a potentially hazardous situation which, if not avoided, **could** result in **death or serious injury**.



CAUTION: Indicates a potentially hazardous situation which, if not avoided, **may** result in **minor or moderate injury**.

NOTICE: Indicates a practice **not related to personal injury** which, if not avoided, **may** result in **property damage**.



Denotes risk of electric shock.



Denotes risk of fire.



WARNING: To reduce the risk of injury, read the instruction manual.

General Power Tool Safety Warnings



WARNING! Read all safety warnings and all instructions. Failure to follow the warnings and instructions may result in electric shock, fire and/or serious injury.

SAVE ALL WARNINGS AND INSTRUCTIONS FOR FUTURE REFERENCE



WARNING! Read all safety warnings and all instructions provided with your screwdriver (DFC620 or DCF621). Failure to follow the warnings and instructions may result in electric shock, fire and/or serious injury.

Additional Specific Safety Rules for Collated Magazine Attachment

- The collated magazine is to only be used with the DEWALT DCF620 or DCF621 screwdriver.
- Observe all operating instructions and safety regulations contained in the manual for the screwdriver the magazine accessory is used with.
- Before use, ensure that the magazine accessory is properly attached to the tool.
- Avoid body contact with earthed or grounded surfaces such as pipes, radiators, ranges and refrigerators. There is an increased risk of electric shock if your body is earthed or grounded.
- Disconnect the plug from the power source and/or the battery pack from the power tool before making any adjustments, changing accessories, or storing power tools. Such preventive safety measures reduce the risk of starting the power tool accidentally.
- When driving screws, never reach into the magazine accessory. Keep hands clear of the advancing mechanism and the spot where the screw is being driven.
- Do not use the magazine accessory as a gripping surface.
- Hold power tool by insulated gripping surfaces, when performing an operation where the fastener may contact hidden wiring. Fasteners contacting a "live" wire may make exposed metal parts of the power tool "live" and could give the operator an electric shock.
- Use only screw strips that are suitable to this magazine. Only insert screw strips when the screwdriver power is off and the trigger is locked.

ENGLISH

Residual Risks

In spite of the application of the relevant safety regulations and the implementation of safety devices, certain residual risks cannot be avoided. These are:

- Impairment of hearing.
- Risk of personal injury due to flying particles.
- Risk of burns due to accessories becoming hot during operation.
- Risk of personal injury due to prolonged use.

Markings on Tool

The following pictograms are shown on the tool:



Read instruction manual before use.



Wear ear protection.



Wear eye protection.

DATE CODE POSITION

The date code, which also includes the year of manufacture, is printed into the housing.

Example:

2015 XX XX

Year of Manufacture

Package Contents

The package contains:

- 1 Collated magazine attachment
 - 1 PR2 collated screwdriver bit (DT7205-QZ)
 - 1 Instruction manual
- Check for damage to the attachment, parts or accessories which may have occurred during transport.
 - Take the time to thoroughly read and understand this manual prior to operation.

Description (fig. 1)



WARNING: Never modify the attachment or any part of it. Damage or personal injury could result.

- a. Screw guide
- b. Screw length adjustment
- c. Fine depth adjustment

- d. Advancing mechanism
- e. Shoe
- f. Advancing mechanism removal button
- g. Release buttons
- h. Collated screwdriver bit

INTENDED USE

This collated drywall magazine is a professional attachment designed to be used with the DCF620 or DCF621 DEWALT screwdriver for professional driving of collated screws.

DO NOT use under wet conditions or in the presence of flammable liquids or gases.

DO NOT let children come into contact with the tool. Supervision is required when inexperienced operators use this tool.

- **Young children and the infirm.** This appliance is not intended for use by young children or infirm persons without supervision.
- This product is not intended for use by persons (including children) suffering from diminished physical, sensory or mental abilities; lack of experience, knowledge or skills unless they are supervised by a person responsible for their safety. Children should never be left alone with this product.

ASSEMBLY AND ADJUSTMENTS



WARNING: Prior to assembly and adjustment, always remove the battery pack. Always switch off the tool before inserting or removing the battery pack.



WARNING: Use only DEWALT battery packs and chargers.

Fitting the Collated Screwdriver Bit (fig. 1 & 2)

NOTICE: For proper operation only use a DEWALT collated screwdriver bit.

1. Remove the nose cone from the screwdriver.
2. Remove the mounted bit and bit holder from the screw driver.
NOTE: Refer to and follow all instructions on changing bits and holders in your screw driver manual.
3. Insert the provided collated screwdriving bit (h) into the bit holder until it clicks into place.

Installing and Removing the Magazine from the Screwdriver (fig. 2)

With the the nose cone removed and provided driver bit (h) installed, push the magazine over the bit onto the screw driver until the magazine clicks into place and ensure that it does not disengage.

NOTE: If necessary - rotate the attachment to locate properly on mount.

NOTE: Make sure the screw driver control lever is set to forward rotation before use.

To remove the magazine, press and hold the release buttons (g) on both sides of the accessory and pull accessory off the screwdriver.

OPERATION

Instructions for Use



WARNING: Always observe the safety instructions and applicable regulations.



WARNING: To reduce the risk of serious personal injury, turn tool off and disconnect battery pack before making any adjustments or removing/installing attachments or accessories. An accidental start-up can cause injury.

Setting Magazine Screw Length (fig. 3)

This magazine is designed for 25–57 mm (1"–2¼") screw lengths. Failure to set the correct screw length can cause screws to not be driven accurately which can result in the failure to advance to the next screw or screws not being driven properly. The shoe has marked specific slots (l) for each of the most common screws, however this attachment can still drive any size screw between 25–57 mm (1"–2¼"). To accommodate for less common screws adjust to the next longest slot.



CAUTION: Do not adjust while a screw strip is in the magazine.

1. Slide screw length adjustment tab (b) to the left.
2. Holding the screw length adjustment tab in place, adjust the shoe (e) to the desired length.
3. Release the screw length adjustment tab. Make sure that the locking pin has fully returned and is in the correct position.

Inserting Collated Screw Strips (fig. 4)

NOTICE: Use only screw strips that are suitable to this magazine. Only insert screw strips when the screwdriver power is off and the trigger is locked.

Proper use of collated strips will reduce the risk of injury, reduce jams and prevents screws from damaging work piece. For best performance use new, undamaged strips free of debris.

1. Take a collated strip, holding the plastic portion, and feed from the bottom of the screw guide (a) and into the bottom of the advancing mechanism (d).
2. Continue feeding the strip until the first screw is one slot below the driver bit.

Setting Screw Depth (fig. 1)

Turn fine depth adjustment (c) anti-clockwise (as viewed from behind the tool) to make the screw head stop raised from the work piece.

Turn fine depth adjustment (c) clockwise to make the screw head stop deeper into the work piece.

There is a window to show where in the adjustment range the tool is. When the slider is furthest from the tool the screw head will stop in the most raised position. When the slider is closest to the screw driver tool the screw head will stop in its deepest position.

Driving Screws (fig. 1)

1. Before driving screws, ensure screwdriver drive direction is switched to forward position.

NOTE: Always hold the screwdriver perpendicular to work piece.

2. With the magazine installed on the screwdriver, position shoe (e) on work piece in location where screw is to be driven.
3. Switch the screwdriver on by holding the trigger in the on position. Continue to hold trigger or engage the trigger lock-on.
4. Apply pressure against work piece. This will advance screw into alignment with screwdriver bit.
5. Continue to apply consistent pressure until screw is driven in completely and screwdriver clutches disengage.
6. Lift screwdriver from workpiece.

ENGLISH

The magazine is designed to drive screws completely into work piece only. Once screwdriver is lifted, adjustments to screw must be made by first removing magazine.

Rotating the Collated Attachment

This attachment has the ability to rotate without being taken off the drywall screwdriver. To rotate, grip the top portion with one hand, while holding the drywall screwdriver with the other then rotate. An audible "click" indicates the magazine is in each of the available positions.

MAINTENANCE

Your DEWALT power tool has been designed to operate over a long period of time with a minimum of maintenance. Continuous satisfactory operation depends upon proper tool care and regular cleaning.



WARNING: To reduce the risk of serious personal injury, turn tool off and disconnect battery pack before making any adjustments or removing/installing attachments or accessories. An accidental start-up can cause injury.



Lubrication

Your power tool requires no additional lubrication.



Cleaning



WARNING: Blow dirt and dust out of the main housing with dry air as often as dirt is seen collecting in and around the air vents and housing tracks. Wear approved eye protection and approved dust mask when performing this procedure.



WARNING: Never use solvents or other harsh chemicals for cleaning the non-metallic parts of the tool. These chemicals may weaken the materials used in these parts. Use a cloth dampened only with water and mild soap.

For best performance clean magazine by:

1. Remove advancing mechanism from collated magazine (see **Removing and Installing the Advancing Mechanism** instructions).
2. Remove shoe from advancing mechanism.
3. Remove return spring from magazine.
4. Submerge parts in soapy water for 10 minutes.
5. Remove and thoroughly rinse parts.
6. Allow parts to air dry.
7. Reassemble and continue use.

REMOVING AND INSTALLING THE ADVANCING MECHANISM (FIG. 5)



CAUTION: The advancing mechanism is spring loaded. Two hands must be used to remove the advancing mechanism. The spring may eject from the mechanism.

To remove advancing mechanism:

1. Remove collated magazine attachment from screwdriver.
2. Slightly depress advancing mechanism (d) by pushing on the shoe (e) with one hand.
3. Keeping pressure on the shoe (e) with the other hand depress advancing mechanism removal button (f).
4. Slowly release pressure from the shoe (e) until the advancing mechanism is out of the collated magazine.

To install advancing mechanism:

1. With the collated magazine attachment removed from screwdriver, align the tabs (i) on the shoe with the slots (j) in the collated housing.
2. Push in slightly, then align the spring (k) with the pocket in the advancing mechanism.
3. Push advancing mechanism in until you hear the "click" of the shoe removal button (f).
NOTE: The lever arm (l) should be in the up position (as shown in figure 5) before the advancing mechanism is installed. If in the down position, the advancing mechanism will be locked in place.
4. Cycle the advancing mechanism several times by hand to ensure proper function before installing it onto your screwdriver for use.

Optional Accessories



WARNING: Since accessories, other than those offered by DEWALT, have not been tested with this product, use of such accessories with this tool could be hazardous. To reduce the risk of injury, only DEWALT recommended accessories should be used with this product.

Consult your dealer for further information on the appropriate accessories.

PR2 Extended Bit x 1 - DT7205-QZ

PR2 Extended Bit x 5 - DT7206-QZ

PR2 Extended Bit x 20 - DT7207-QZ

Protecting the Environment



Separate collection. This product must not be disposed of with normal household waste.

Should you find one day that your DEWALT product needs replacement, or if it is of no further use to you, do not dispose of it with household waste. Make this product available for separate collection.



Separate collection of used products and packaging allows materials to be recycled and used again. Re-use of recycled materials helps prevent environmental pollution and reduces the demand for raw materials.

Local regulations may provide for separate collection of electrical products from the household, at municipal waste sites or by the retailer when you purchase a new product.

DEWALT provides a facility for the collection and recycling of DEWALT products once they have reached the end of their working life. To take advantage of this service please return your product to any authorised repair agent who will collect them on our behalf.

You can check the location of your nearest authorised repair agent by contacting your local DEWALT office at the address indicated in this manual. Alternatively, a list of authorised DEWALT repair agents and full details of our after-sales service and contacts are available on the Internet at: **www.2helpU.com**.





Belgique et Luxembourg België en Luxemburg	DeWALT - Belgium BVBA Egide Walschaertsstraat 16 2800 Mechelen	Tel: NL 32 15 47 37 63 Tel: FR 32 15 47 37 64 Fax: 32 15 47 37 99	www.dewalt.be enduser.BE@sbdinc.com
Danmark	DeWALT Roskildevej 22 2620 Albertslund	Tel: 70 20 15 10 Fax: 70 22 49 10	www.dewalt.dk kundeservice.dk@sbdinc.com
Deutschland	DeWALT Richard Klinger Str. 11 65510 Idstein	Tel: 06126-21-1 Fax: 06126-21-2770	www.dewalt.de infodwge@sbdinc.com
Ελλάς	DeWALT (Ελλάς) A.E. ΕΔΡΑ-ΓΡΑΦΕΙΑ : Στράβωνος 7 & Λ. Βουλιαγμένης, Γλυφάδα 166 74, Αθήνα SERVICE : Ημερος Τόπος 2 (Χάνι Αδάμ) – 193 00 Ασπρόπυργος	Τηλ: 00302108981616 Φαξ: 00302108983570	www.dewalt.gr Greece.Service@sbdinc.com
España	DeWALT Ibérica, S.C.A. Parc de Negocios "Mas Blau" Edificio Muntadas, c/Bergadá, 1, Of. A6 08820 El Prat de Llobregat (Barcelona)	Tel: 934 797 400 Fax: 934 797 419	www.dewalt.es respuesta.postventa@sbdinc.com
France	DeWALT 5, allée des Hêtres BP 30084, 69579 Limonest Cedex	Tel: 04 72 20 39 20 Fax: 04 72 20 39 00	www.dewalt.fr scufr@sbdinc.com
Schweiz Suisse Svizzera	DeWALT In der Luberzen 42 8902 Urdorf	Tel: 044 - 755 60 70 Fax: 044 - 730 70 67	www.dewalt.ch service@rofoag.ch
Ireland	DeWALT Calpe House Rock Hill Black Rock, Co. Dublin	Tel: 00353-2781800 Fax: 00353-2781811	www.dewalt.ie
Italia	DeWALT via Energypark 20871 Vimercate (MB), IT	Tel: 800-014353 39 039 9590200 Fax: 39 039 9590313	www.dewalt.it
Nederlands	DeWALT Netherlands BV Holtum Noordweg 35 6121 RE BORN, Postbus 83, 6120 AB BORN	Tel: 31 164 283 063 Fax: 31 164 283 200	www.dewalt.nl
Norge	DeWALT Postboks 4613, Nydalen 0405 Oslo	Tel: 45 25 13 00 Fax: 45 25 08 00	www.dewalt.no kundeservice.no@sbdinc.com
Österreich	DeWALT Werkzeug Vertriebsges m.b.H Oberlaaerstrasse 248, A-1230 Wien	Tel: 01 - 66116 - 0 Fax: 01 - 66116 - 614	www.dewalt.at service.austria@sbdinc.com
Portugal	DeWALT Limited, SARL Centro de Escritórios de Sintra Avenida Almirante Gago Coutinho, 132/134, Edifício 14 2710-418 Sintra	Tel: 214 66 75 00 Fax: 214 66 75 80	www.dewalt.pt resposta.posvenda@sbdinc.com
Suomi	DeWALT PL 47 00521 Helsinki	Puh: 010 400 4333 Faksi: 0800 411 340	www.dewalt.fi asiakaspalvelu.fi@sbdinc.com
Sverige	DeWALT Box 94 431 22 Mölndal	Tel: 031 68 61 60 Fax: 031 68 60 08	www.dewalt.se kundservice.se@sbdinc.com
Türkiye	KALE Hırdavat ve Makina A.Ş. Defterdar Mah. Savaklar Cad. No:15 Edirnekapı / Eyüp / İSTANBUL 34050 TÜRKİYE	Tel: 0212 533 52 55 Faks: 0212 533 10 05	www.dewalt.com.tr
United Kingdom	DeWALT, 210 Bath Road; Slough, Berks SL1 3YD	Tel: 01753-567055 Fax: 01753-572112	www.dewalt.co.uk emeaservice@sbdinc.com
Australia	DeWALT 82 Taryn Drive, Epping VIC 3076 Australia	Tel: Aust 1800 338 002 Tel: NZ 0800 339 258	www.dewalt.com.au www.dewalt.co.nz
Middle East Africa	DeWALT P.O. Box - 17164, Jebel Ali Free Zone (South), Dubai, UAE	Tel: 971 4 812 7400 Fax: 971 4 2822765	www.dewalt.ae Service.MEA@sbdinc.com