

If you have questions or comments, contact us.
Pour toute question ou tout commentaire, nous contacter.
Si tiene dudas o comentarios, contactenos.

1-800-4-DEWALT • www.dewalt.com

INSTRUCTION MANUAL
GUIDE D'UTILISATION
MANUAL DE INSTRUCCIONES

INSTRUCTIVO DE OPERACIÓN, CENTROS DE SERVICIO Y PÓLIZA DE
GARANTÍA. ADVERTENCIA: LEÁSE ESTE INSTRUCTIVO ANTES DE
USAR EL PRODUCTO.

DEWALT®

DWH050
Drilling Dust Extraction System
Système de dé poussière pour le perçage
Sistema de extracción de polvo de taladrado

DEWALT Industrial Tool Co., 701 East Joppa Road, Baltimore, MD 21286
(MAY11) Part No. N111555 DWH050 Copyright © 2011 DEWALT

The following are trademarks for one or more DEWALT power tools: the yellow and black color scheme; the "D" shaped air intake grill; the array of pyramids on the handgrip; the kit box configuration; and the array of lozenge-shaped humps on the surface of the tool.

Definitions: Safety Guidelines

The definitions below describe the level of severity for each signal word. Please read the manual and pay attention to these symbols.

⚠ DANGER: Indicates an imminently hazardous situation which, if not avoided, **will** result in **death or serious injury**.

⚠ WARNING: Indicates a potentially hazardous situation which, if not avoided, **could** result in **death or serious injury**.

⚠ CAUTION: Indicates a potentially hazardous situation which, if not avoided, **may** result in **minor or moderate injury**.

NOTICE: indicates a practice **not related to personal injury** which, if not avoided, **may** result in **property damage**.

IF YOU HAVE ANY QUESTIONS OR COMMENTS ABOUT THIS OR ANY DEWALT TOOL, CALL US TOLL FREE AT: **1-800-4-DEWALT (1-800-433-9258)**



WARNING: To reduce the risk of injury, read all of this manual carefully before operating the attachment. Also refer to the manual of any power tool that will be used with this attachment.

General Safety Warnings



WARNING! Read all safety warnings and all instructions. Failure to follow the warnings and instructions may result in electric shock, fire and/or serious injury.

SAVE ALL WARNINGS AND INSTRUCTIONS FOR FUTURE REFERENCE

1) WORK AREA SAFETY

- Keep work area clean and well lit.** Cluttered or dark areas invite accidents.
- Keep children and bystanders away while operating a power tool.** Distractions can cause you to lose control.
- Ensure the workplace is well ventilated.** Exposure to dust at a poorly ventilated workplace may result in damage to the health.

2) ELECTRICAL SAFETY

- Avoid body contact with earthed or grounded surfaces such as pipes, radiators, ranges and refrigerators.** There is an increased risk of electric shock if your body is earthed or grounded.

3) PERSONAL SAFETY

- Stay alert, watch what you are doing and use common sense when operating a power tool. Do not use a power tool while you are tired or under the influence of drugs, alcohol or medication.** A moment of inattention while operating power tools may result in serious personal injury.
- Use personal protective equipment. Always wear eye protection.** Protective equipment such as dust mask, non-skid safety shoes, hard hat, or hearing protection used for appropriate conditions will reduce personal injuries.
- Do not overreach. Keep proper footing and balance at all times.** This enables better control of the power tool in unexpected situations.
- Dress properly. Do not wear loose clothing or jewelry. Keep your hair, clothing and gloves away from moving parts.** Loose clothes, jewelry or long hair can be caught in moving parts.

4) POWER TOOL USE AND CARE

- Do not force the power tool. Use the correct power tool for your application.** The correct power tool will do the job better and safer at the rate for which it was designed.
WARNING: The use of any accessory or attachment or performance of any operation with this tool, other than those recommended in this instruction manual may present a risk of personal injury.

- Store idle power tools out of the reach of children and do not allow persons unfamiliar with the power tool or these instructions to operate the power tool.** Power tools are dangerous in the hands of untrained users.
- Use the power tool, accessories and tool bits etc., in accordance with these instructions taking into account the working conditions and the work to be performed.** Use of the power tool for operations different from those intended could result in a hazardous situation.

5) SERVICE

- Have your power tool serviced by a qualified repair person using only identical replacement parts.** This will ensure that the safety of the power tool is maintained.

Additional Specific Safety Rules for Dust Extraction Systems

- Do not use the attachment for drilling applications in wood, steel or plastic.
- Do not use the attachment in core drilling applications.
- Do not use the attachment for chiselling applications.
- Use only power tools recommended by DEWALT with this attachment. For more information about DEWALT power tools compatible with this attachment, please contact your local dealer, call 1-800-4-DEWALT (1-800-433-9258) or visit our website www.dewalt.com.
- Do not use the tool in damp or wet conditions.
- Do not allow to be used as a toy. Close attention is necessary when used by or near children.
- Use only as described in this manual. Use only manufacturer's recommended attachments.
- Do not put any object into openings. Do not use with any opening blocked; keep free of lint, hair and anything that may reduce air flow.
- Keep hair, loose clothing, fingers and all parts of body away from openings and moving parts.
- Do not use to pick up flammable or combustible liquids, such as gasoline, or use in areas where they may be present.
- This appliance collects a significant percentage of, but not all, the dust generated.

⚠ WARNING: ALWAYS USE SAFETY GLASSES. Everyday eyeglasses are NOT safety glasses. Also use face or dust mask if cutting operation is dusty. ALWAYS wear certified safety equipment:

- ANSI Z87.1 eye protection (CAN/CSA Z94.3).
- ANSI S12.6 (S3.19) hearing protection.
- NIOSH/OSHA respiratory protection.

⚠ WARNING: Some dust created by power sanding, sawing, grinding, drilling, and other construction activities contains chemicals known to the State of California to cause cancer, birth defects or other reproductive harm. Some examples of these chemicals are:

- lead from lead-based paints,
- crystalline silica from bricks and cement and other masonry products, and
- arsenic and chromium from chemically-treated lumber.

Your risk from these exposures varies, depending on how often you do this type of work. To reduce your exposure to these chemicals: work in a well ventilated area, and work with approved safety equipment, such as those dust masks that are specially designed to filter out microscopic particles.

- Avoid prolonged contact with dust from power sanding, sawing, grinding, drilling, and other construction activities. Wear protective clothing and wash exposed areas with soap and water.** Allowing dust to get into your mouth, eyes, or lay on the skin may promote absorption of harmful chemicals.

⚠ WARNING: Use of this tool can generate and/or disburse dust, which may cause serious and permanent respiratory or other injury. Always use NIOSH/OSHA approved respiratory protection appropriate for the dust exposure. Direct particles away from face and body.

⚠ WARNING: Before beginning the work, check to determine the hazard classification of the dust produced. Use an industrial dust extractor vacuum of the appropriate official approved safety class and in compliance with your local dust hazard control regulations.

⚠ WARNING: Always wear proper personal hearing protection. Under some conditions and duration of use, noise from this product may contribute to hearing loss.

COMPONENTS (FIG. 1)

⚠ WARNING: Never modify the power tool or any part of it. Damage or personal injury could result.

- | | |
|--|--|
| A. Hole cleaning nozzle
[0.32"–0.56" (8–14 mm)] | F. Drilling head release button |
| B. Hole cleaning nozzle
[0.56" (14 mm) and above] | G. Drilling head
[fits drill bit diameters 0–1.47" (0–38 mm)] |
| C. Connection point | H. Drilling head
[fits drill bit diameters 1.47–2.05" (38–52 mm)] |
| D. Dust extraction system | I. Suction pad |
| E. Quick release buttons | |

INTENDED USE

Your drilling dust extraction system has been designed for professional drilling applications in concrete and masonry. Using the appropriate hammer drill, drill bit and dust extractor vacuum it can be used to remove the vast majority of static and airborne dust which without the use of the dust extraction system could otherwise contaminate the working environment or pose an increased health risk to the operator and those in close proximity.

Recommended power tools to be used with this attachment are available at extra cost from your local dealer or authorized service center. If you need assistance in locating any power tool, please contact DEWALT Industrial Tool Co., 701 East Joppa Road, Baltimore, MD 21286, call 1-800-4-DEWALT (1-800-433-9258) or visit our website www.dewalt.com.

DO NOT use under wet conditions or in presence of flammable liquids or gases.

The drilling dust extraction system is a professional power tool.

DO NOT let children come into contact with the tool. Supervision is required when inexperienced operators use this tool.

ASSEMBLY

⚠ WARNING: ALWAYS turn off tool and disconnect the tool from the power source before making any adjustments or removing or installing attachments or accessories. This applies to both the drill and the dust extractor vacuum. Such preventative safety measures reduce the risk of starting the tool accidentally.

Attach Drilling Head to Dust Extraction System (Fig. 1, 2)

- Select drilling head (G, H) to be used.
- Slide drilling head (G, H) into dust extraction system (D) until it locks into place.

Remove Drilling Head from Dust Extraction System (Fig. 1, 2)

Depress drilling head release button (F) to remove drilling head (G, H) from dust extraction system (D).

Attach Dust Extraction System to Dust Extractor Vacuum (Fig. 1, 4, 5)

⚠ WARNING: Use only power tools recommended by DEWALT with this attachment. For more information about DEWALT power tools compatible with this attachment, please contact your local dealer, call 1-800-4-DEWALT (1-800-433-9258) or visit our website www.dewalt.com.

Push dust extractor vacuum hose nozzle (K) into connection point (C) until tight. For a more secure connection use the AirLock connection system.

NOTE: Ensure hose connection is secure.

AIRLOCK CONNECTOR SYSTEM - DWV9000 (SOLD SEPARATELY)

AirLock allows for a fast, secure connection between the drilling dust extraction system and the dust extractor vacuum.

- Ensure the collar (L) on the AirLock connector (M) is in the unlock position. Align notches (R) on collar and AirLock connector as shown for unlock and lock positions.
- Push the AirLock connector (M) onto the connection point (C).
- Rotate the collar (L) to the locked position.

NOTE: The ball bearings (N) inside collar will lock into slot (O) and secure the connection. The drilling dust extraction system is now securely connected to the dust extractor vacuum.

Attach Drilling Dust Extraction System to Vertical or Horizontal Surface (Fig. 1, 3, 8, 9)

The dust extraction system (D) has a suction system that allows the unit to be fixed into place on a vertical or horizontal surface.

1. With the correct drilling head (G, H) fitted and the drilling dust extraction system securely connected to the dust extractor vacuum, turn the dust extractor vacuum on as instructed in the dust extractor vacuum instruction manual.
2. Depress and hold the quick release buttons (E) and place the dust extraction system (D) on surface to be drilled.

NOTE: The suction system will not hold the unit in place on very rough or uneven surfaces. Secure the dust extraction system in place as shown in figure 9 if drilling on an uneven horizontal surface.

3. Release the quick release buttons (E) and the dust extraction system will be secured in place.
4. To make fine location adjustments, depress the quick release buttons (E) and the seal will release so the unit can be moved or removed from the surface completely.

⚠WARNING: To reduce the risk of injury, DO NOT turn off the dust extractor vacuum before removing the drilling dust extraction system from the surface as instructed. Turning off the dust extractor vacuum before removing the drilling dust extraction system from the surface will cause the drilling dust extraction system to fall from the surface possibly causing injury.

Remove Drilling Dust Extraction System From Surface (Fig. 1, 3)

⚠WARNING: To reduce the risk of injury, DO NOT turn off the dust extractor vacuum before removing the drilling dust extraction system from the surface as instructed. Turning off the dust extractor vacuum before removing the drilling dust extraction system from the surface will cause the drilling dust extraction system to fall from the surface possibly causing injury.

Depress the quick release buttons (E) on the dust extraction system to remove it from the surface.

Attach Hole Cleaning Nozzles (Fig. 1, 6, 7)

Hole cleaning is required to expose the full drilled depth and when using certain types of chemical fixing anchors to ensure maximum adhesion.

1. Select the correct hole cleaning nozzle to be used:
 - Hole cleaning nozzle (A): used for small holes 0.32"–0.56" (8–14 mm) in diameter.
 - Hole cleaning nozzle (B) used for holes 0.56" (14 mm) in diameter and above.
2. Remove/replace hole cleaning nozzle:
 - Grip the nozzle (A, B) firmly and pull it from the connection point (J).
 - Push the nozzle into the connection point (J) until it stops.
3. Push the dust extractor vacuum hose nozzle (K) into the connection point (C) until tight. For a more secure connection the AirLock connection system may be used.

NOTE: Ensure hose connection is secure.

OPERATION

⚠WARNING: ALWAYS turn off tool and disconnect the tool from the power source before making any adjustments or removing or installing attachments or accessories. This applies to both the drill and the dust extractor vacuum. Such preventative safety measures reduce the risk of starting the tool accidentally.

⚠WARNING: For your own safety, read the tool instruction manual before using any accessory. Failure to heed these warnings may result in personal injury and serious damage to the tool and the accessory. When servicing this tool, use only identical replacement parts.

NOTE: The amount of dust retained by the dust extractor vacuum is dependent on its filter system. Refer to the dust extractor vacuum instruction manual for more information.

Drilling (Fig. 1, 8, 9)

1. Complete the **Attach Drilling Dust Extraction System to Vertical or Horizontal Surface** procedure. The unit is now ready to use.
2. Place the drill bit into the center of the drilling head (G, H) and proceed to drill as shown.

Hole Cleaning (Fig. 10)

1. Complete the **Attach Hole Cleaning Nozzles** procedure.
2. Turn the dust extractor vacuum on as instructed in the dust extractor vacuum instruction manual.
3. Place the hole cleaning nozzle (A, B) into hole to be cleaned.

MAINTENANCE

⚠WARNING: ALWAYS turn off tool and disconnect the tool from the power source before making any adjustments or removing or installing attachments or accessories. This applies to both the drill and the dust extractor vacuum. Such preventative safety measures reduce the risk of starting the tool accidentally.

Your drilling dust extraction system has been designed to operate over a long period of time with a minimum of maintenance. Continuous satisfactory operation depends on proper tool care and regular cleaning.

TO REPLACE THE SUCTION PAD (FIG. 1)

1. Disconnect dust extraction system from dust extractor vacuum.
2. From the underside of unit remove the four screws (S) to release the suction pad (I).
3. Replacement is a reversal of the above.

New suction pads are available from any DEWALT authorized repair agent.

TROUBLESHOOTING

FAULT	POSSIBLE CAUSE	REMEDY
Excessive dust emission	dust extractor vacuum is full	empty the dust extractor vacuum
	filter of dust extractor vacuum is blocked	clean or replace the filter
	suction channel is blocked	clean the suction channel
Dust extraction system does not attach to surface	the wrong drill head is selected	select the correct drill head
	dust extractor vacuum is full	empty the dust extractor vacuum
	filter of dust extractor vacuum is blocked	clean or replace the filter
	suction channel is blocked	clean the suction channel
	suction pad is damaged	replace the suction pad

Cleaning

⚠WARNING: Never use solvents or other harsh chemicals for cleaning the non-metallic parts of the tool. These chemicals may weaken the plastic materials used in these parts. Use a cloth dampened only with water and mild soap. Never let any liquid get inside the tool; never immerse any part of the tool into a liquid.

CLEAN DUST EXTRACTION ADAPTOR SUCTION CHANNEL (FIG. 1, 11)

1. Depress drilling head release button (F) and remove drilling head (G, H) from dust extraction system (D).
2. Use the hole cleaning nozzle (A) to remove dirt and dust from the suction channel (P).
3. Reassemble drilling head to dust extraction system.

CLEAN DRILLING HEAD (FIG. 1, 12)

1. Depress drilling head release button (F) and remove drilling head from dust extraction system.
2. Remove cover (Q) from drilling head (G, H) and use the hole cleaning nozzle (A) to remove dirt and dust.
3. Replace cover (Q) on drilling head and reassemble to dust extraction system (D).

Accessories

⚠WARNING: Since accessories, other than those offered by DEWALT, have not been tested with this product, use of such accessories with this tool could be hazardous. To reduce the risk of injury, only DEWALT recommended accessories should be used with this product.

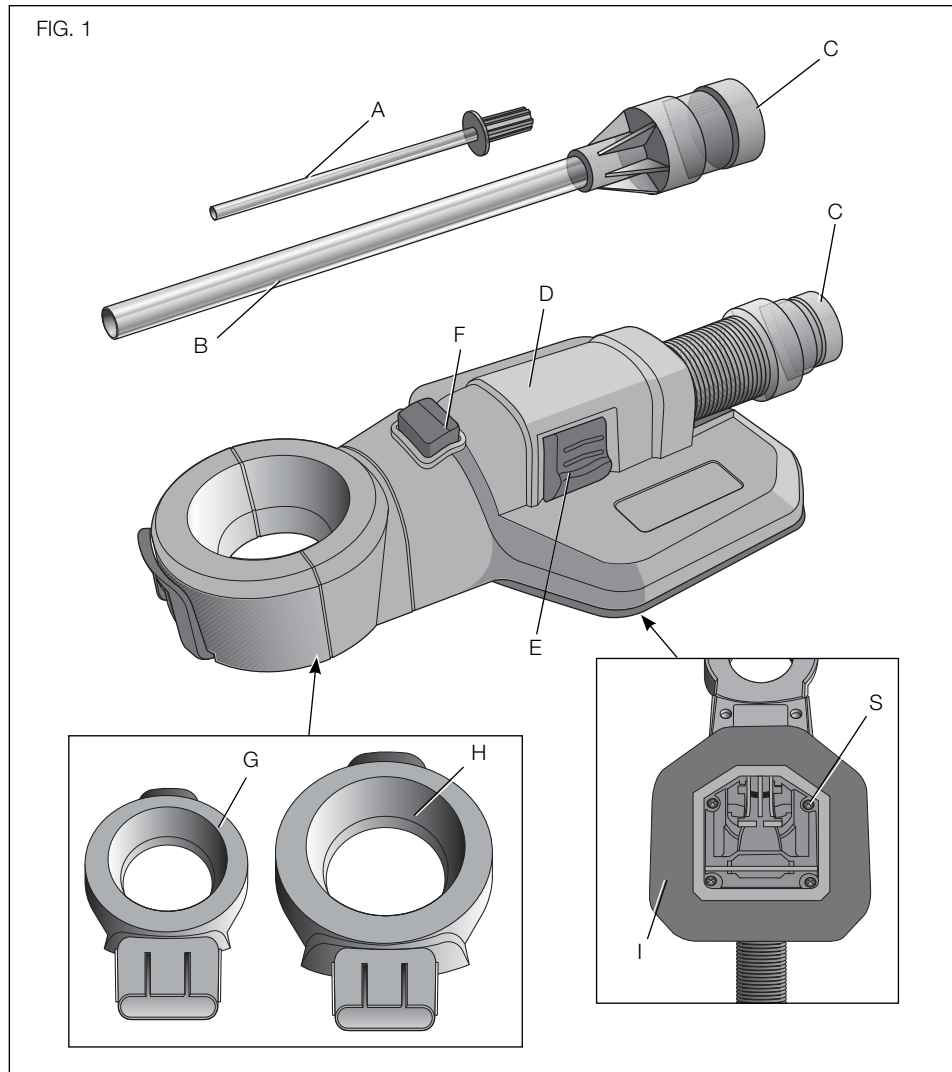


FIG. 2

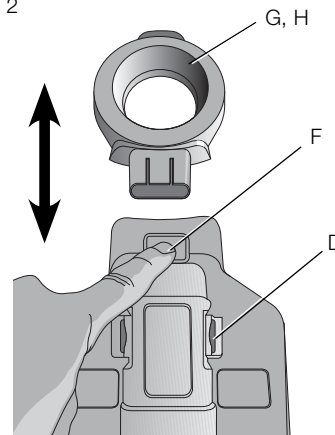


FIG. 3

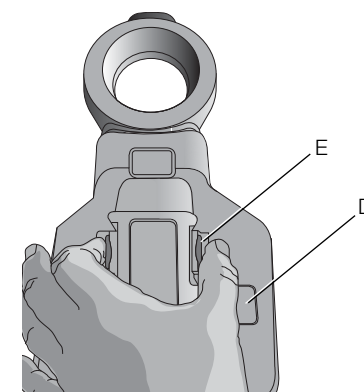


FIG. 4

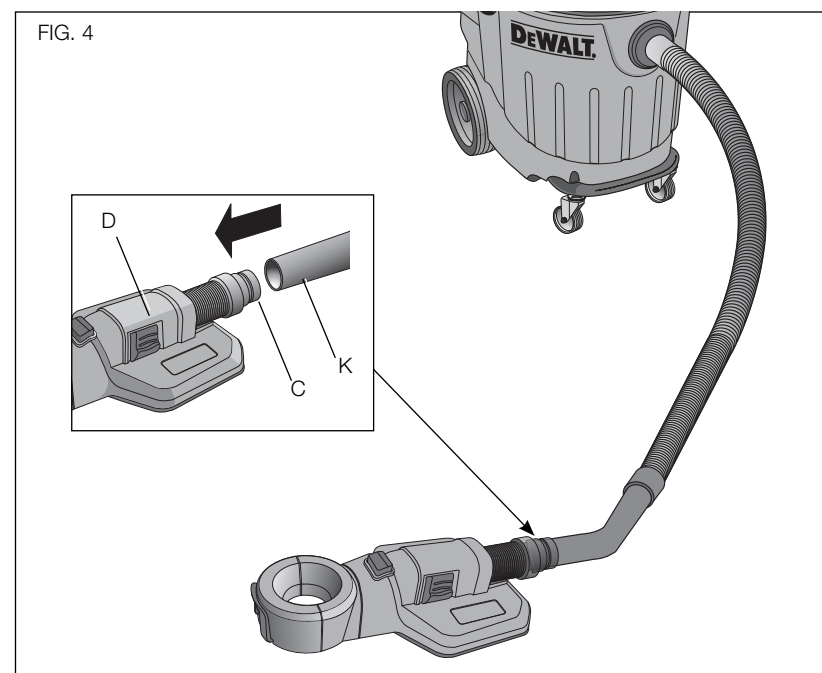


FIG. 5

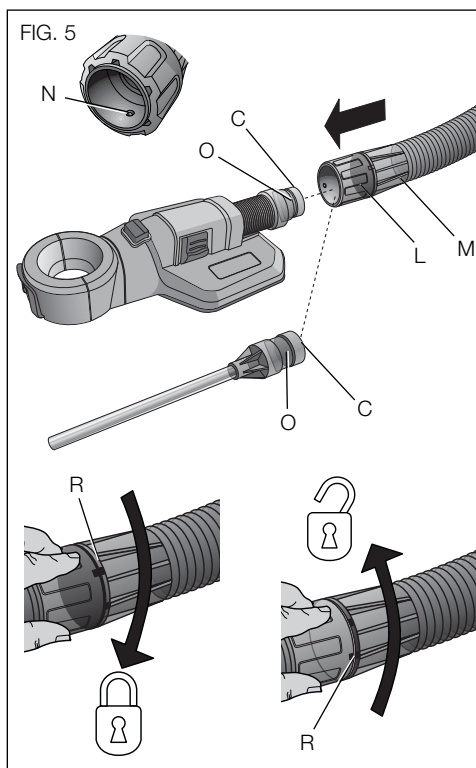
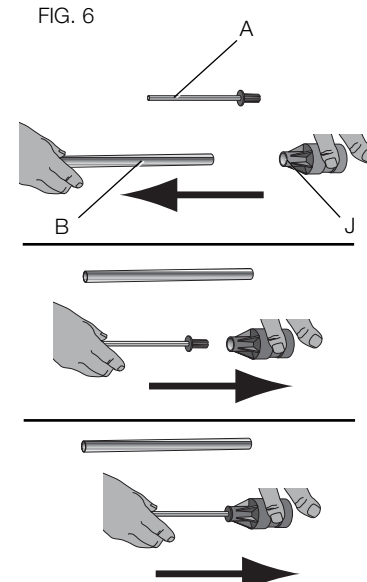
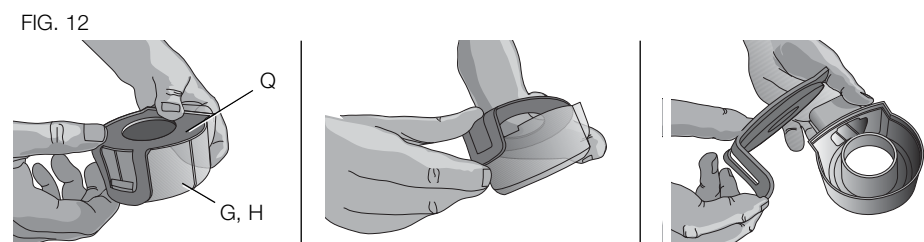
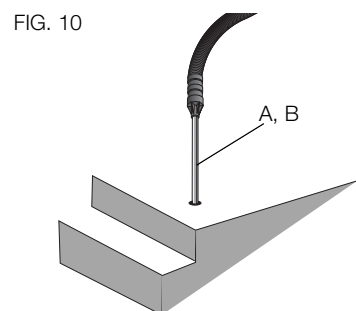
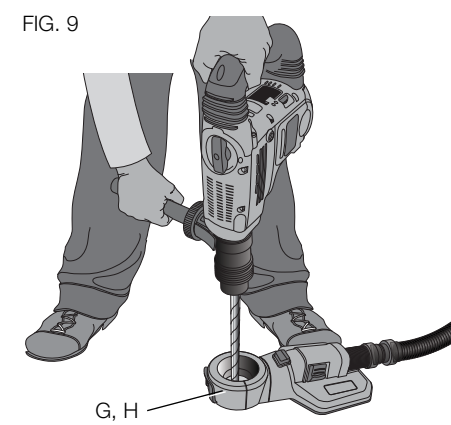
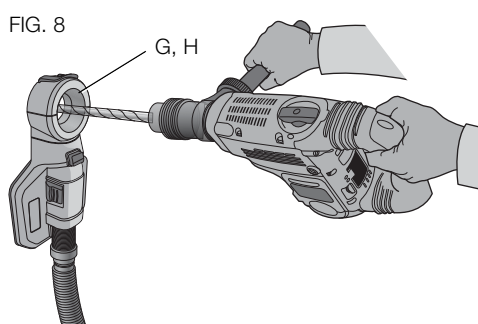
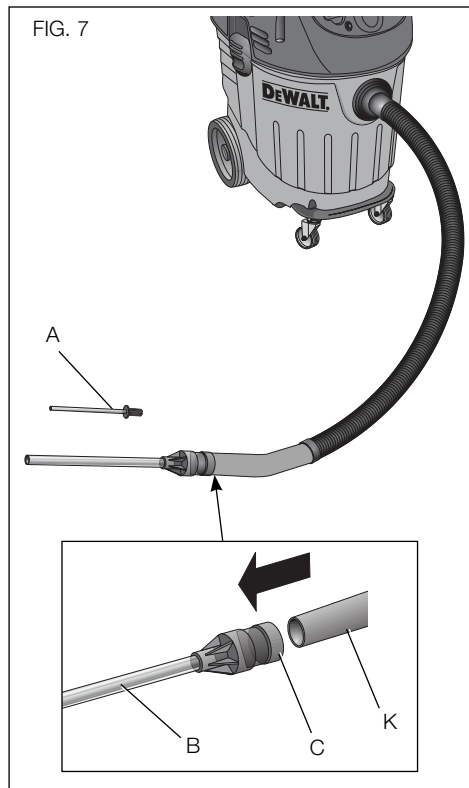


FIG. 6





If you need assistance, please contact DEWALT Industrial Tool Co., 701 East Joppa Road, Baltimore, MD 21286, call 1-800-4-DEWALT (1-800-433-9258) or visit our website www.dewalt.com.

Repairs

To assure product SAFETY and RELIABILITY, repairs, maintenance and adjustments should be performed by a DEWALT factory service center, a DEWALT authorized service center or other qualified service personnel. Always use identical replacement parts.

Three Year Limited Warranty

DEWALT will repair, without charge, any defects due to faulty materials or workmanship for three years from the date of purchase. This warranty does not cover part failure due to normal wear or tool abuse. For further detail of warranty coverage and warranty repair information, visit www.dewalt.com or call 1-800-4-DEWALT (1-800-433-9258). This warranty does not apply to accessories or damage caused where repairs have been made or attempted by others. This warranty gives you specific legal rights and you may have other rights which vary in certain states or provinces.

In addition to the warranty, DEWALT tools are covered by our:

1 YEAR FREE SERVICE

DEWALT will maintain the tool and replace worn parts caused by normal use, for free, any time during the first year after purchase.

90 DAY MONEY BACK GUARANTEE

If you are not completely satisfied with the performance of your DEWALT Power Tool, Laser, or Nailer for any reason, you can return it within 90 days from the date of purchase with a receipt for a full refund – no questions asked.

LATIN AMERICA: This warranty does not apply to products sold in Latin America. For products sold in Latin America, see country specific warranty information contained either in the packaging, call the local company or see website for warranty information.

FREE WARNING LABEL REPLACEMENT: If your warning labels become illegible or are missing, call 1-800-4-DEWALT (1-800-433-9258) for a free replacement.



Définitions : lignes directrices en matière de sécurité

Les définitions ci-dessous décrivent le niveau de danger pour chaque mot-indicateur employé. Lire le mode d'emploi et porter une attention particulière à ces symboles.

⚠ DANGER : indique une situation dangereuse imminente qui, si elle n'est pas évitée, entraînera la mort ou des blessures graves

⚠ AVERTISSEMENT : indique une situation potentiellement dangereuse qui, si elle n'est pas évitée, pourrait entraîner la mort ou des blessures graves

⚠ ATTENTION : indique une situation potentiellement dangereuse qui, si elle n'est pas évitée, pourrait entraîner des blessures légères ou modérées.

AVIS : indique une pratique ne posant aucun risque de dommages corporels mais qui par contre, si rien n'est fait pour l'éviter, pourrait poser des risques de dommages matériels.

POUR TOUTE QUESTION OU REMARQUE AU SUJET DE CET OUTIL OU DE TOUT AUTRE OUTIL DEWALT, COMPOSEZ LE NUMÉRO SANS FRAIS : 1-800-4-DEWALT (1-800-433-9258).



AVERTISSEMENT : pour réduire tout risque de dommages corporels, lire soigneusement ce manuel avant toute utilisation de l'accessoire. Se reporter aussi au manuel de l'utilisateur des outils électriques utilisés avec cet accessoire.

Consignes générales de sécurité



AVERTISSEMENT! Lire tous les avertissements de sécurité et toutes les directives. Le non-respect des avertissements et des directives pourrait se solder par un choc électrique, un incendie et/ou une blessure grave.

CONSERVER TOUS LES AVERTISSEMENTS ET TOUTES LES DIRECTIVES POUR UN USAGE ULTÉRIEUR

1) SÉCURITÉ DU LIEU DE TRAVAIL

- Tenir l'aire de travail propre et bien éclairée. Les lieux encombrés ou sombres sont propices aux accidents.
- Éloigner les enfants et les personnes à proximité pendant l'utilisation d'un outil électrique. Une distraction pourrait en faire perdre la maîtrise à l'utilisateur.
- S'assurer que les lieux de travail sont bien aérés. Toute exposition à la poussière sur des lieux de travail mal aérés pose des risques à la santé.

2) SÉCURITÉ EN MATIÈRE D'ÉLECTRICITÉ

- Éviter tout contact physique avec des surfaces mises à la terre comme des tuyaux, des radiateurs, des cuisinières et des réfrigérateurs. Le risque de choc électrique est plus élevé si votre corps est mis à la terre.

3) SÉCURITÉ PERSONNELLE

- Être vigilant, surveiller le travail effectué et faire preuve de jugement lorsqu'un outil électrique est utilisé. Ne pas utiliser d'outil électrique en cas de fatigue ou sous l'influence de drogues, d'alcool ou de médicaments. Un simple moment d'inattention en utilisant un outil électrique peut entraîner des blessures corporelles graves.
- Utiliser des équipements de protection individuelle. Toujours porter une protection oculaire. L'utilisation d'équipements de protection comme un masque antipoussière, des chaussures antidérapantes, un casque de sécurité ou des protecteurs auditifs lorsque la situation le requiert réduira les risques de blessures corporelles.
- Ne pas trop tendre les bras. Conserver son équilibre en tout temps. Cela permet de mieux maîtriser l'outil électrique dans les situations imprévues.
- S'habiller de manière appropriée. Ne pas porter de vêtements amples ni de bijoux. Garder les cheveux, les vêtements et les gants à l'écart des pièces mobiles. Les vêtements amples, les bijoux ou les cheveux longs risquent de rester coincés dans les pièces mobiles.

4) UTILISATION ET ENTRETIEN D'UN OUTIL ÉLECTRIQUE

- Ne pas forcer un outil électrique. Utiliser l'outil électrique approprié à l'application. L'outil électrique approprié effectuera un meilleur travail, de façon plus sûre et à la vitesse pour laquelle il a été conçu.

⚠ AVERTISSEMENT : l'utilisation de tout accessoire ou pièce, ou l'exécution de toute opération avec cet outil, autre que celle recommandée dans ce manuel de l'utilisateur pose des risques de dommages corporels.
- Ranger les outils électriques hors de la portée des enfants et ne permettre à aucune personne n'étant pas familière avec un outil électrique ou son mode d'emploi d'utiliser cet outil. Les outils électriques deviennent dangereux entre les mains d'utilisateurs inexpérimentés.
- Utiliser l'outil électrique, les accessoires, les forets, etc. conformément aux présentes directives en tenant compte des conditions de travail et du travail à effectuer. L'utilisation d'un outil électrique pour toute opération autre que celle pour laquelle il a été conçu est dangereuse.

RÉPARATION

- Faire réparer l'outil électrique par un réparateur professionnel en n'utilisant que des pièces de rechange identiques. Cela permettra de maintenir une utilisation sécuritaire de l'outil électrique.

Règles particulières additionnelles de sécurité propres aux systèmes de dépoussiérage

- Ne pas utiliser cet accessoire pour le perçage du bois, de l'acier ou du plastique.
- Ne pas utiliser cet accessoire pour le trépanage.
- Ne pas utiliser cet accessoire pour le ciselage.
- Utiliser exclusivement les outils électriques recommandés par DEWALT avec cet accessoire. Pour plus d'informations concernant les outils électriques DEWALT compatibles avec cet accessoire, contacter votre détaillant local, appeler le 1-800-4-DEWALT (1-800-433-9258) ou se rendre sur notre site www.dewalt.com.
- Ne pas utiliser l'outil dans un environnement humide ou détrempé.
- Ne jamais permettre qu'il soit utilisé comme un jouet. Rester très vigilant lorsque l'appareil est utilisé par des enfants ou en leur présence.
- N'utiliser l'appareil que comme décrit dans ce manuel. Utiliser exclusivement des accessoires recommandés par le fabricant.
- Ne pas insérer d'objet dans les ouvertures. Ne pas l'utiliser si les ouvertures sont bloquées. Le maintenir propre et exempt de tout cheveu, peluche, ou toute autre chose pouvant en réduire la circulation d'air.
- Maintenir les cheveux, les vêtements amples, les doigts, et toute autre partie du corps, éloignés des ouvertures et des pièces mobiles.
- Ne pas l'utiliser pour aspirer des liquides inflammables ou combustibles comme l'essence ou l'utiliser en leur présence.
- Cet appareil aspire un pourcentage considérable, mais pas la totalité de la poussière générée.

⚠ AVERTISSEMENT : PORTER SYSTÉMATIQUEMENT DES LUNETTES DE PROTECTION. Les lunettes courantes NE sont PAS des lunettes de protection. Utiliser aussi un masque antipoussières si la découpe doit en produire beaucoup. Porter SYSTÉMATIQUEMENT un équipement de sécurité homologué :

- Protection oculaire ANSI Z87.1 (CAN/CSA Z94.3);
- Protection auditive ANSI S12.6 (S3.19);
- Protection des voies respiratoires NIOSH/OSHA/MSHA.

⚠ AVERTISSEMENT : les scies, meules, ponceuses, perceuses ou autres outils de construction peuvent produire des poussières contenant des produits chimiques reconnus par l'État californien pour causer cancers, malformations congénitales ou être nocifs au système reproducteur. Parmi ces produits chimiques, on retrouve :

- Le plomb dans les peintures à base de plomb;
- La silice cristallisée dans les briques et le ciment, ou autres produits de maçonnerie; et
- L'arsenic et le chrome dans le bois ayant subi un traitement chimique.

Le risque associé à de telles expositions varie selon la fréquence à laquelle on effectue ces travaux. Pour réduire toute exposition à ces produits : travailler dans un endroit bien aéré, en utilisant du matériel de sécurité homologué tel un masque antipoussières spécialement conçu pour filtrer les particules microscopiques.

- Limitier toute exposition prolongée avec les poussières provenant du ponçage, sciage, meulage, perçage ou toute autre activité de construction. Porter des vêtements de protection et nettoyer à l'eau savonneuse les parties du corps exposées. Le fait de laisser la poussière pénétrer dans la bouche, les yeux ou la peau peut favoriser l'absorption de produits chimiques dangereux.

⚠ AVERTISSEMENT : cet outil peut produire et/ou répandre de la poussière susceptible de causer des dommages sérieux et permanents au système respiratoire. Utiliser systématiquement un appareil respiratoire antipoussières homologué par le NIOSH ou l'OSHA. Diriger les particules dans le sens opposé au visage et au corps.

⚠ AVERTISSEMENT : avant de se mettre au travail, s'assurer de déterminer la classification des dangers posés par les poussières produites. Utiliser un aspirateur industriel de la classe officielle de sécurité, appropriée et homologuée, conformément aux consignes locales de lutte contre les risques posés par les poussières.

⚠ AVERTISSEMENT : porter systématiquement une protection auditive individuelle appropriée. Sous certaines conditions et suivant la durée d'utilisation, le bruit émanant de ce produit pourrait contribuer à une perte de l'acuité auditive.

DESCRIPTION (FIG. 1)

⚠AVERTISSEMENT : ne jamais modifier l'outil électrique ni aucun de ses composants, car il y a des risques de dommages corporels ou matériels.

- | | |
|---|--|
| A. Embout à nettoyer les trous [8 à 14 mm (0,32 à 0,56 po)] | G. Tête de perçage [pour des diamètres de mèches de : 0 à 38 mm (0 à 1,47 po)] |
| B. Embout à nettoyer les trous [14 mm (0,56 po) et plus] | H. Tête de perçage [pour des diamètres de mèches de : 38 à 52 mm (1,47 à 2,05 po)] |
| C. Buse de raccordement | I. Tampon ventouse |
| D. Système de dépoussiérage | |
| E. Boutons de libération rapide | |
| F. Bouton de libération de la tête de perçage | |

INTENDED USE

USAGE PRÉVU

Votre système de dépoussiérage pour le perçage a été conçu pour le perçage professionnel du béton et de la maçonnerie. Avec l'utilisation d'une perceuse à percussion, d'une mèche et d'un aspirateur appropriés, il peut être utilisé pour retirer une vaste majorité des poussières statiques atmosphériques qui en son absence pourraient contaminer l'environnement de travail ou poser des risques accrus pour la santé à l'utilisateur et à ceux à proximité.

Les outils électriques recommandés pour être utilisés avec cet accessoire sont vendus séparément auprès de votre distributeur local ou dans les centres de réparation agréés. Si vous avez besoin d'aide pour localiser ces outils électriques, veuillez contacter DEWALT Industrial Tool Co., 701 East Joppa Road, Baltimore, MD 21286, ou appeler 1-800-4-DEWALT (1-800-433-9258) ou vous rendre sur notre site www.dewalt.com.

NE PAS les utiliser en milieu ambiant humide ou en présence de liquides ou de gaz inflammables.

Ce système de dépoussiérage pour le perçage est un outil électrique de professionnels.

NE PAS le laisser à la portée des enfants. Une supervision est nécessaire auprès de tout utilisateur non expérimenté.

MONTAGE

⚠AVERTISSEMENT : arrêter et débrancher **SYSTÉMATIQUEMENT** l'outil avant tout réglage ou avant de retirer ou installer toute pièce ou tout accessoire. Cela s'applique aussi bien à la perceuse qu'à l'aspirateur. Ces mesures préventives de sécurité réduisent les risques de démarrage accidentel de l'outil.

Installation de la tête de perçage sur le système de dépoussiérage (Fig. 1, 2)

- Sélectionnez la tête de perçage (G, H) à utiliser.
- Poussez la tête de perçage (G, H) dans le système de dépoussiérage (D) jusqu'à ce qu'elle s'enclenche en place.

Retrait de la tête de perçage du système de dépoussiérage (Fig. 1, 2)

Appuyez sur le bouton de libération (F) de la tête de perçage pour retirer la tête de perçage (G, H) du système de dépoussiérage (D).

Montage du système de dépoussiérage à l'aspirateur (Fig. 1, 4, 5)

⚠AVERTISSEMENT : utiliser exclusivement les outils électriques recommandés par DEWALT avec cet accessoire. Pour plus d'informations concernant les outils électriques DEWALT compatibles avec cet accessoire, contactez votre détaillant local, appeler le 1-800-4-DEWALT (1-800-433-9258) ou se rendre sur notre site www.dewalt.com.

Enfoncez fermement l'embout du tuyau de l'aspirateur (K) dans la buse de raccordement (C). Pour un raccordement plus sécuritaire, utilisez le système de connexion AirLock.

REMARQUE : vérifier que la connexion tuyau est fiable.

SYSTÈME DE CONNECTEUR AIRLOCK - DWV9000 (VENDU SÉPARÉMENT)

AirLock permet un raccordement rapide et sécuritaire entre le système de dépoussiérage pour le perçage et l'aspirateur.

- Vérifiez que le collier (L) sur le connecteur AirLock (M) est sur la position déverrouillée. Alignez les encoches (R) sur le collier et le connecteur AirLock, comme illustré, sur la position verrouillée ou déverrouillée.
- Enfoncez le connecteur AirLock (M) sur la buse de raccordement (C).
- Tournez le collier (L) sur la position verrouillée.

REMARQUE : le roulement à bille (N) à l'intérieur du collier s'enclenchera dans l'encoche (O) pour un raccordement sécuritaire.

Le système de dépoussiérage pour le perçage est à présent fixé fermement à l'aspirateur.

Montage du système de dépoussiérage pour le perçage à une surface verticale ou horizontale (Fig. 1, 3, 8, 9)

Le système de dépoussiérage (D) est équipé d'un système ventouse permettant d'arrimer l'appareil sur une surface verticale ou horizontale.

- Alors que la tête de perçage adéquate (G, H) est installée et que le système de dépoussiérage est fixé fermement à l'aspirateur, allumez l'aspirateur comme indiqué dans le manuel de l'utilisateur de l'aspirateur.
- Maintenez appuyés les boutons de libération rapide (E) et placez le système de dépoussiérage (D) sur la surface à percer.
REMARQUE : le système ventouse ne pourra maintenir l'outil en place sur des surfaces rugueuses ou inégales. Arrimez soigneusement le système de dépoussiérage, comme illustré en figure 9, pour percer des surfaces horizontales inégales.
- Libérez alors les boutons de libération rapide (E) et le système de dépoussiérage sera arrimé en place.
- Pour tout réglage d'emplacement de précision, appuyez sur les boutons de libération rapide (E) et la ventouse libérera l'appareil pour permettre de le déplacer ou le retirer complètement de la surface utilisée.

⚠AVERTISSEMENT : pour réduire tout risque de dommages corporels, **NE PAS arrêter l'aspirateur avant de retirer le système de dépoussiérage pour le perçage de la surface comme indiqué. Le fait d'arrêter l'aspirateur avant de retirer le système de dépoussiérage pour le perçage de la surface provoquera la chute du système de dépoussiérage de cette surface posant ainsi des risques de dommages corporels.**

Retrait du système de dépoussiérage de la surface (Fig. 1, 3)

⚠AVERTISSEMENT : pour réduire tout risque de dommages corporels, **NE PAS arrêter l'aspirateur avant de retirer le système de dépoussiérage pour le perçage de la surface comme indiqué. Le fait d'arrêter l'aspirateur avant de retirer le système de dépoussiérage pour le perçage de la surface provoquera la chute du système de dépoussiérage de cette surface posant ainsi des risques de dommages corporels.**

Appuyez sur les boutons de libération rapide (E) sur le système de dépoussiérage pour le retirer de la surface.

Installation des embouts à nettoyer les trous (Fig. 1, 6, 7)

Le nettoyage des trous est nécessaire pour révéler la profondeur totale de perçage ou pour utiliser certains types de produits chimiques pour arrimer des brides d'ancrage pour maximiser l'adhésion.

- Sélectionnez l'embout à nettoyer les trous correct à utiliser.
 - Embout à nettoyer les trous (A) : utilisé pour les trous de petits diamètres, 8 à 14 mm (0,32 à 0,56 po);
 - Embout à nettoyer les trous (B) : utilisé pour les trous de 14 mm (0,56 po) de diamètre et plus.
- Pour retirer/changer l'embout à nettoyer les trous :
Attrapez fermement l'embout (A, B) et retirez-le de la buse de raccordement (J).
Poussez à fond l'embout dans la buse de raccordement (J).
- Enfoncez fermement l'embout du tuyau de l'aspirateur (K) dans la buse de raccordement (C). Pour un raccordement plus sécuritaire, on peut utiliser le système de connexion AirLock.

REMARQUE : vérifier que la connexion tuyau est fiable.

UTILISATION

⚠AVERTISSEMENT : arrêter et débrancher **SYSTÉMATIQUEMENT** l'outil avant tout réglage ou avant de retirer ou installer toute pièce ou tout accessoire. Cela s'applique

aussi bien à la perceuse qu'à l'aspirateur. Ces mesures préventives de sécurité réduisent les risques de démarrage accidentel de l'outil.

⚠AVERTISSEMENT : pour votre sécurité, lire le manuel de l'utilisateur respectif à l'outil avant l'utilisation de tout accessoire. Tout manquement à ces avertissements augmente les risques de blessures, et les risques d'endommager sérieusement l'appareil et ses accessoires. Lors de la maintenance de cet outil, n'utiliser que des pièces de rechange identiques.

REMARQUE : la quantité de poussière éliminée par l'aspirateur dépend de son système de filtrage. Reportez-vous au manuel de l'utilisateur de l'aspirateur pour des informations complémentaires.

Perçage (Fig. 1, 8, 9)

- Effectuez la procédure de **Montage du système de dépoussiérage pour le perçage à une surface verticale ou horizontale**. L'appareil est alors prêt à être utilisé.
- Placez la mèche au centre de la tête de perçage (G, H) et commencez à percer, comme illustré.

Nettoyage de trous (Fig. 10)

- Complétez la procédure d'**Installation des embouts à nettoyer les trous**.
- Allumez l'aspirateur comme indiqué dans le manuel de l'utilisateur de l'aspirateur.
REMARQUE : vérifier que la connexion tuyau est fiable.
- Insérez l'embout à nettoyer les trous (A, B) dans le trou à nettoyer.

MAINTENANCE

⚠AVERTISSEMENT : arrêter et débrancher **SYSTÉMATIQUEMENT** l'outil avant tout réglage ou avant de retirer ou installer toute pièce ou tout accessoire. Cela s'applique aussi bien à la perceuse qu'à l'aspirateur. Ces mesures préventives de sécurité réduisent les risques de démarrage accidentel de l'outil.

Votre système de dépoussiérage pour le perçage a été conçu pour fonctionner longtemps avec un minimum d'entretien. Le fonctionnement continu et satisfaisant de l'outil dépend d'une maintenance adéquate et d'un entretien régulier.

POUR REMPLACER LE TAMPON VENTOUSE (FIG. 1)

- Déconnectez le système de dépoussiérage de l'aspirateur.
- Retirez les quatre vis (S) sous l'appareil pour libérer le tampon ventouse (I).
- Pour le remplacer, effectuez la procédure inverse.

Les tampons ventouse sont à votre disposition chez tout réparateur agréé DEWALT.

GUIDE DE DÉPANNAGE

PROBLÈME	CAUSE PROBABLE	SOLUTION PROPOSÉE
Émission excessive de poussières	L'aspirateur est plein	Vider l'aspirateur
	Le filtre de l'aspirateur est bouché	Nettoyer ou changer le filtre
	Le canal d'aspiration est bouché	Nettoyer le canal d'aspiration
	La tête de perçage choisie n'est pas adéquate	Choisir la tête de perçage correcte
Le système de dépoussiérage ne se rattache pas à la surface	L'aspirateur est plein	Vider l'aspirateur
	Le filtre de l'aspirateur est bouché	Nettoyer ou changer le filtre
	Le canal d'aspiration est bouché	Nettoyer le canal d'aspiration
	Le tampon ventouse est endommagé	Changer le tampon ventouse

Entretien

⚠AVERTISSEMENT : ne jamais utiliser de solvants ou tout autre produit chimique décapant pour nettoyer les parties non métalliques de l'outil. Ces produits chimiques pourraient attaquer les matériaux plastiques utilisés. Utiliser un chiffon humide et un savon doux. S'assurer qu'aucun liquide ne pénètre dans l'outil ; ne jamais immerger aucune partie de l'outil dans un liquide.

ENTRETIEN DU CANAL D'ASPIRATION DE LA BUSE DE DÉPOUSSIÉRAGE (FIG. 1, 11)

- Appuyez sur le bouton de libération (F) de la tête de perçage et retirez la tête de perçage (G, H) du système de dépoussiérage (D).
- Utilisez l'embout à nettoyer les trous (A) pour éliminer saleté et poussières du canal d'aspiration (P).
- Réassemblez la tête de perçage au système de dépoussiérage.

ENTRETIEN DE LA TÊTE DE PERÇAGE (FIG. 1, 12)

- Appuyez sur le bouton de libération (F) de la tête de perçage et retirez la tête de perçage du système de dépoussiérage.
- Retirez le couvercle (Q) de la tête de perçage (G, H) et utilisez l'embout à nettoyer les trous (A) pour éliminer saleté et poussières.
- Remplacez le couvercle (Q) sur la tête de perçage et réassemblez-la au système de dépoussiérage (D).

Accessoires

⚠AVERTISSEMENT : comme les accessoires autres que ceux offerts par DEWALT n'ont pas été testés avec ce produit, leur utilisation avec cet appareil pourrait comporter un danger. Pour réduire tout risque de dommages corporels, seuls des accessoires DEWALT recommandés doivent être utilisés avec cet appareil.

Pour toute assistance, veuillez contacter DEWALT Industrial Tool Co., 701 East Joppa Road, Baltimore, MD 21286, ou appeler 1-800-4-DEWALT (1-800-433-9258) ou vous rendre sur notre site www.dewalt.com.

Réparations

Pour assurer la SÉCURITÉ et la FIABILITÉ du produit, les réparations, l'entretien et les réglages doivent être réalisés (cela comprend l'inspection et le remplacement du balai) par un centre de réparation en usine DEWALT, un centre de réparation agréé DEWALT ou par d'autres techniciens qualifiés. Toujours utiliser des pièces de rechange identiques.

Garantie limitée trois ans

DEWALT réparera gratuitement tous les problèmes dus à des défauts de matériau ou de fabrication pendant trois ans à compter de la date d'achat. Cette garantie ne couvre pas des défaillances de pièce dues à une usure normale ou à une mauvaise utilisation de l'outil. Pour plus de détails relatifs à la couverture de la garantie et aux réparations sous garantie, visiter le site Web www.dewalt.com ou composer le 1-800-4-DEWALT (1-800-433-9258). Cette garantie ne s'applique pas aux accessoires ni aux dommages causés par des réparations réalisées ou tentées par des tiers. Cette garantie vous accorde des droits légaux spécifiques et il est possible que vous ayez d'autres droits qui varient d'un État ou d'une province à l'autre.

En plus de la garantie, les outils DEWALT sont couverts par notre :

SERVICE D'ENTRETIEN GRATUIT DE 1 AN

DEWALT entretiendra l'outil et remplacera les pièces usées par une utilisation normale et ce, gratuitement, à tout instant pendant la première année à compter de la date d'achat.

GARANTIE DE REMBOURSEMENT DE 90 JOURS

Si vous n'êtes pas entièrement satisfait des performances de votre outil électrique, laser ou de votre cloueuse DEWALT pour quelque raison que ce soit, vous pouvez le retourner accompagné d'un reçu dans les 90 jours suivant la date d'achat et nous vous rembourserons entièrement – sans poser de questions.

AMÉRIQUE LATINE : cette garantie ne s'applique pas aux produits vendus en Amérique latine. Pour ceux-ci, veuillez consulter les informations relatives à la garantie spécifique présente dans l'emballage, appeler l'entreprise locale ou consulter le site Web pour les informations relatives à cette garantie.

REMPACEMENT GRATUIT DES ÉTIQUETTES D'AVERTISSEMENT : si les étiquettes d'avertissement deviennent illisibles ou sont manquantes, composer le 1-800-4-DEWALT (1-800-433-9258) pour en obtenir le remplacement gratuit.



Definiciones: Normas de Seguridad

Las siguientes definiciones describen el nivel de gravedad de cada palabra de señal. Lea el manual y preste atención a estos símbolos.

▲PELIGRO: indica una situación de peligro inminente que, si no se evita, provocará la muerte o lesiones graves.

▲ADVERTENCIA: indica una situación de peligro potencial que, si no se evita, podría provocar la muerte o lesiones graves.

▲ATENCIÓN: indica una situación de peligro potencial que, si no se evita, posiblemente provocaría lesiones leves o moderadas.

AVISO: se refiere a una práctica no relacionada a lesiones corporales que de no evitarse puede resultar en daños a la propiedad.

SI TIENE ALGUNA DUDA O COMENTARIO ACERCA DE ÉSTA U OTRA HERRAMIENTA DEWALT, LLÁMENOS AL NÚMERO GRATUITO: **1-800-4-DEWALT (1-800-433-9258)**.

ADVERTENCIA: Para reducir el riesgo de lesión, lea cuidadosamente la totalidad de este manual antes de operar el aditamento. También refiérase al manual de cualquier herramienta eléctrica que será utilizada con este aditamento.

Advertencias generales sobre seguridad

ADVERTENCIA! Lea todas las advertencias de seguridad e instrucciones. El incumplimiento de las advertencias e instrucciones puede provocar descargas eléctricas, incendios o lesiones graves.

CONSERVE TODAS LAS ADVERTENCIAS E INSTRUCCIONES PARA FUTURAS CONSULTAS

1) SEGURIDAD EN EL ÁREA DE TRABAJO

- Mantenga el área de trabajo limpia y bien iluminada.** Las áreas abarrotadas y oscuras propician accidentes.
- Mantenga alejados a los niños y a los espectadores de la herramienta eléctrica en funcionamiento.** Las distracciones pueden provocar la pérdida de control.
- Asegúrese de que el lugar de trabajo esté bien ventilado.** La exposición al polvo en un lugar de trabajo con poca ventilación puede dar como resultado el deterioro de la salud.

2) SEGURIDAD ELÉCTRICA

- Evite el contacto corporal con superficies con descargas a tierra como, por ejemplo, tuberías, radiadores, cocinas eléctricas y refrigeradores.** Existe mayor riesgo de descarga eléctrica si su cuerpo está puesto a tierra.

3) SEGURIDAD PERSONAL

- Permanezca alerta, controle lo que está haciendo y utilice el sentido común cuando emplee una herramienta eléctrica. No utilice una herramienta eléctrica si está cansado o bajo el efecto de drogas, alcohol o medicamentos.** Un momento de descuido mientras se opera una herramienta eléctrica puede provocar lesiones personales graves.
- Utilice equipos de protección personal. Siempre utilice protección para los ojos.** En las condiciones adecuadas, el uso de equipos de protección, como máscaras para polvo, calzado de seguridad antideslizante, cascos o protección auditiva, reducirá las lesiones personales.
- No se estire. Conserve el equilibrio y párese adecuadamente en todo momento.** Esto permite un mejor control de la herramienta eléctrica en situaciones inesperadas.
- Use la vestimenta adecuada. No use ropas holgadas ni joyas. Mantenga el cabello, la ropa y los guantes alejados de las piezas en movimiento.** Las ropas holgadas, las joyas o el cabello largo pueden quedar atrapados en las piezas en movimiento.

4) USO Y MANTENIMIENTO DE LA HERRAMIENTA ELÉCTRICA

- No fuerce la herramienta eléctrica. Utilice la herramienta eléctrica correcta para el trabajo que realizará.** Si se la utiliza a la velocidad para la que fue diseñada, la herramienta eléctrica correcta permite trabajar mejor y de manera más segura.
ADVERTENCIA: El uso de accesorios o adaptadores, o el desempeño de cualquier operación con esta herramienta, distintos a los recomendados en este manual de instrucciones puede representar un riesgo de lesiones personales.
- Guarde la herramienta eléctrica que no esté en uso fuera del alcance de los niños y no permita que otras personas no familiarizadas con ella o con estas instrucciones operen la herramienta.** Las herramientas eléctricas son peligrosas si son operadas por usuarios no capacitados.
- Utilice la herramienta eléctrica, los accesorios y las brocas de la herramienta, etc. de acuerdo con estas instrucciones y teniendo en cuenta las condiciones de trabajo y el trabajo que debe realizarse.** El uso de la herramienta eléctrica para operaciones diferentes de aquéllas para las que fue diseñada podría originar una situación peligrosa.

5) MANTENIMIENTO

- Solicite a una persona calificada en reparaciones que realice el mantenimiento de su herramienta eléctrica y que sólo utilice piezas de repuesto idénticas.** Esto garantizará la seguridad de la herramienta eléctrica.

Reglas adicionales de seguridad específicas para los sistemas de extracción de polvo

- No utilice este aditamento en aplicaciones de taladrado en madera, acero o plástico.
- No utilice este aditamento en aplicaciones de taladrado central.
- No utilice este aditamento en aplicaciones de cincelado.
- Utilice este aditamento solamente con herramientas eléctricas recomendadas por DEWALT. Para obtener más información acerca de las herramientas eléctricas DEWALT compatibles con este aditamento por favor póngase en contacto con su concesionario local, llame al 1-800-4-DEWALT (1-800-433-9258) o visite nuestro sitio Web www.dewalt.com.
- No utilice esta herramienta en condiciones de humedad o agua.
- No permita que se juegue con él. Es necesario supervisar de cerca la utilización por o en proximidad de niños.
- Úselo sólo como se describe en este manual. Use sólo aditamentos recomendados por el fabricante.
- No coloque ningún objeto en las aberturas. No utilice si tiene alguna abertura bloqueada; manténgalo sin polvo, pelusa, pelo o cualquier otra cosa que podría reducir el flujo de aire.
- Mantenga el pelo, la ropa suelta, los dedos y todas las partes corporales lejos de aberturas y piezas móviles.
- No use el aparato para recoger líquidos inflamables o combustibles, tales como gasolina, ni lo use en lugares donde exista la presencia de líquidos inflamables o combustibles.
- Este aparato recoge un porcentaje significativo del polvo generado, pero no todo.

ADVERTENCIA: USE SIEMPRE LENTES DE SEGURIDAD. Los anteojos de diario NO SON lentes de seguridad. Utilice además una cubrebocas o mascarilla antipolvo si la operación de corte genera demasiado polvo. SIEMPRE lleve equipo de seguridad certificado:

- Protección ocular ANSI Z87.1 (CAN/CSA Z94.3).
- Protección auditiva ANSI S12.6 (S3.19)
- Protección respiratoria NIOSH/OSHA.

ADVERTENCIA: algunas partículas de polvo generadas al lijar, serrar, esmerilar y taladrar con herramientas eléctricas, así como al realizar otras actividades de construcción, contienen químicos que el Estado de California sabe que pueden producir cáncer, defectos congénitos u otras afecciones reproductivas. Ejemplos de estos químicos son:

- plomo de algunas pinturas en base a plomo,
- polvo de sílice proveniente de ladrillos y cemento y otros productos de albañilería, y
- arsénico y cromo provenientes de madera tratada químicamente.

Su riesgo de exposición a estos químicos varía, dependiendo de la frecuencia con la cual realiza usted este tipo de trabajo. Para reducir la exposición a esas sustancias químicas: trabaje en una zona bien ventilada y llevando equipos de seguridad aprobados, como mascarillas antipolvo especialmente diseñadas para filtrar partículas microscópicas.

- Evite el contacto prolongado con polvo generado por el lijado, aserrado, pulido, taladrado y otras actividades de construcción. Vista ropas protectoras y lave las áreas de la piel expuestas con agua y jabón.** Si permite que el polvo se introduzca en la boca u ojos o quede sobre la piel, puede favorecer la absorción de productos químicos peligrosos.

ADVERTENCIA: La utilización de esta herramienta puede generar polvo o dispersarlo, lo que podría causar daños graves y permanentes al sistema respiratorio, así como otras lesiones. Siempre use protección respiratoria aprobada por NIOSH (Instituto Nacional de Seguridad y Salud en el Trabajo) u OSHA (Administración de Seguridad y Salud en el Trabajo) apropiada para la exposición al polvo. Dirija las partículas en dirección contraria a la cara y el cuerpo.

ADVERTENCIA: Antes de comenzar el trabajo, verifique para determinar la clasificación de riesgo del polvo producido. Utilice una aspiradora extractora de polvo industrial apropiada, de la clase de seguridad aprobada oficialmente, y en cumplimiento con sus normativas locales de control de riesgo del polvo.

ADVERTENCIA: Utilice siempre protección auditiva personal apropiada. Bajo algunas condiciones y duraciones de uso, el ruido producido por este producto puede contribuir a la pérdida auditiva.

COMPONENTES (FIG. 1)

ADVERTENCIA: Nunca modifique la herramienta eléctrica, ni tampoco ninguna de sus piezas. Podría producir lesiones corporales.

- | | |
|---|--|
| A. Boquilla de limpieza de orificio [(8 a 14 mm (0,32 pulg. a 0,56 pulg.))] | G. Cabezal de taladrado [se adapta a diámetros de broca de 0 a 38 mm (0 a 1,47 pulg.)] |
| B. Boquilla de limpieza de orificio [14 mm (0,56 pulg.) y mayores] | H. Cabezal de taladrado [se adapta a diámetros de broca de 38 a 52 mm (1,47 a 2,05 pulg.)] |
| C. Punto de conexión | I. Almohadilla de succión |
| D. Sistema de extracción de polvo | |
| E. Botones de liberación rápida | |
| F. Botón de destrabado del cabezal de taladrado | |

USO DEBIDO

Su sistema de extracción de polvo de taladrado ha sido diseñado para aplicaciones profesionales de taladrado en hormigón y mampostería. Usando el taladro percutor, la broca y la aspiradora extractora de polvo adecuados, se puede utilizar para eliminar la gran mayoría de polvo estático y presente en el aire, el que sin el uso del sistema de extracción de polvo podría contaminar el medio ambiente de trabajo o suponer un mayor riesgo para la salud del operador y de las personas en las cercanías.

Las herramientas eléctricas a ser utilizadas con este aditamento están disponibles con un cargo adicional en su distribuidor local o en el centro de servicio autorizado. Si necesita ayuda para ubicar alguna herramienta eléctrica, por favor póngase en contacto con DEWALT Industrial Tool Co., 701 East Joppa Road, Baltimore, MD 21286, llame al 1-800-4-DEWALT (1-800-433-9258) o visite nuestro sitio web www.dewalt.com.

NO utilice la herramienta en condiciones húmedas o en la presencia de líquidos o gases inflamables.

El sistema de extracción de polvo de taladrado es una herramienta profesional.

NO permita que los niños toquen la herramienta. Si el operador no tiene experiencia operando esta herramienta, su uso deberá ser supervisado.

MONTAJE

ADVERTENCIA: SIEMPRE apague la herramienta y desconéctela de la fuente de alimentación antes de realizar cualesquier ajustes o quitar o instalar aditamentos o accesorios. Esto tiene aplicación tanto para el taladro como para la aspiradora extractora de polvo. Estas medidas de seguridad preventiva reducen el riesgo de poner en marcha la herramienta accidentalmente.

Para fijar el cabezal de taladrado al sistema de extracción de polvo (Fig. 1, 2)

- Seleccione el cabezal de taladrado (G, H) a utilizar.
- Deslice el cabezal de taladrado (G, H) en el sistema de extracción de polvo (D) hasta que encaje en su lugar.

Para retirar el cabezal de taladrado del sistema de extracción de polvo (Fig. 1, 2)

Oprima el botón de destrabado del cabezal de taladrado (F) y retire el cabezal de taladrado (G, H) del sistema de extracción de polvo (D).

Para adosar el sistema de extracción de polvo a la aspiradora extractora de polvo (Fig. 1, 4, 5)

ADVERTENCIA: Utilice este aditamento solamente con herramientas eléctricas recomendadas por DEWALT. Para obtener más información acerca de las herramientas eléctricas DEWALT compatibles con este aditamento por favor póngase en contacto con su concesionario local, llame al 1-800-4-DEWALT (1-800-433-9258) o visite nuestro sitio web www.dewalt.com.

Empuje la boquilla de la manguera de la aspiradora extractora de polvo (K) en el punto de conexión (C) hasta que quede apretada. Para lograr una conexión más segura utilice el sistema de conexión AirLock.

NOTA: Cerciórese de que la manguera de conexión esté bien asegurada.

SISTEMA DE CONECTOR AIRLOCK - DWV9000 (VENDIDO EN FORMA SEPARADA)

El AirLock permite una conexión rápida y segura entre el sistema de extracción de polvo de taladrado y la aspiradora extractora de polvo.

- Asegúrese de que el collarín (L) sobre el conector AirLock (M) esté en la posición destrabada. Alinee las muescas (R) sobre el collarín y el conector AirLock como se muestra para las posiciones de bloqueo y desbloqueo.
- Empuje el conector AirLock (M) en el punto de conexión (C).
- Gire el collarín (L) a la posición de bloqueo.

NOTA: Los rodamientos de bolas (N) dentro del collarín quedarán fijos en la ranura (O) y asegurarán la conexión.

Ahora el sistema de extracción de polvo de taladrado queda firmemente conectado a la aspiradora extractora de polvo.

Para fijar el sistema de extracción de polvo de taladrado a una superficie vertical u horizontal (Fig. 1, 3, 8, 9)

El sistema de extracción de polvo (D) posee un sistema de succión que permite que la unidad quede fija sobre una superficie horizontal o vertical.

- Con el cabezal de taladrado (G, H) correcto colocado y el sistema de extracción de polvo de taladrado conectado en forma segura a la aspiradora extractora de polvo, encienda la aspiradora extractora de polvo de acuerdo con lo indicado en el manual de instrucciones de la aspiradora extractora de polvo.
- Presione y mantenga presionados los botones de liberación rápida (E) y coloque el sistema de extracción de polvo (D) sobre la superficie a taladrar.
NOTA: El sistema de succión no mantendrá la unidad en su lugar sobre superficies muy rugosas o desiguales. Asegure el sistema de extracción de polvo en su lugar como se muestra en la figura 9 si se va a taladrar sobre una superficie horizontal desigual.
- Libere los botones de liberación rápida (E) y el sistema de extracción de polvo quedará asegurado en su lugar.
- Para hacer ajustes finos de la ubicación, presione los botones de liberación rápida (E) y el sello quedará libre, de tal modo que la unidad se pueda mover o quitar de la superficie por completo.

ADVERTENCIA: Para reducir el riesgo de lesión, NO apague la aspiradora extractora de polvo antes de retirar de la superficie el sistema de extracción de polvo de taladrado de acuerdo con lo indicado. El apagar la aspiradora extractora de polvo antes de retirar el sistema de extracción de polvo de taladrado de la superficie causará que el sistema de extracción de polvo de taladrado se caiga de la superficie, con la posibilidad de causar lesiones.

Para retirar el sistema de extracción de polvo de taladrado de la superficie (Fig. 1, 3)

ADVERTENCIA: Para reducir el riesgo de lesión, NO apague el vacío extractor de polvo antes de quitar el sistema de extracción de polvo de taladrado de la superficie de acuerdo con lo

indicado. El apagar la aspiradora extractora de polvo antes de retirar el sistema de extracción de polvo de taladrado de la superficie causará que el sistema de extracción de polvo de taladrado se caiga de la superficie, con la posibilidad de causar lesiones.

Oprima los botones de liberación rápida (E) sobre el sistema de extracción de polvo para quitarlo de la superficie.

Para adosar las boquillas de limpieza de orificio (Fig. 1, 6, 7)

Se requiere el limpiar el orificio para exponer toda la profundidad perforada, y cuando se utilizan ciertos tipos de químicos que fijan los anclajes a fin de garantizar la máxima adhesión.

1. Seleccione la boquilla de limpieza de orificio a ser utilizada:
 - Boquilla de limpieza de orificio (A): utilizada para orificios pequeños con un diámetro de 8 a 14 mm (0,32 pulg. a 0,56 pulg.).
 - Boquilla de limpieza de orificio (B): utilizada para orificios con diámetro de 14 mm (0,56 pulg.) y mayores.
2. Para retirar/cambiar la boquilla de limpieza de orificio:
Agarre la boquilla (A, B) firmemente y hálala del punto de conexión (J).
Empuje la boquilla en el punto de conexión (J) hasta donde pueda.
3. Empuje la boquilla de la manguera de la aspiradora extractora de polvo (K) en el punto de conexión (C) hasta que quede apretada. Se puede utilizar el sistema de conexión AirLock para lograr una conexión más firme.

NOTA: Cerciórese de que la manguera de conexión esté bien asegurada.

FUNCIONAMIENTO

⚠ADVERTENCIA: SIEMPRE apague la herramienta y desconéctela de la fuente de alimentación antes de realizar cualesquier ajustes o quitar o instalar aditamentos o accesorios. Esto tiene aplicación tanto para el taladro como para la aspiradora extractora de polvo. Estas medidas de seguridad preventiva reducen el riesgo de poner en marcha la herramienta accidentalmente.

⚠ADVERTENCIA: Para su seguridad, lea el manual de instrucciones antes de utilizar cualquier accesorio. De no seguir estas advertencias podrían producirse lesiones corporales y graves daños a la herramienta y al accesorio. Al proceder al mantenimiento de esta herramienta, utilice únicamente refacciones idénticas.

NOTA: La cantidad de polvo retenida por la aspiradora extractora de polvo depende de su sistema de filtro. Refiérase al manual de instrucciones de la aspiradora extractora de polvo para obtener más información.

Taladrado (Fig. 1, 8, 9)

1. Complete el procedimiento **Para fijar el sistema de extracción de polvo de taladrado a una superficie vertical u horizontal**. Ahora la unidad está lista para ser usada.
2. Coloque la broca en el centro del cabezal de taladrado (G, H) y proceda a taladrar como se muestra.

Limpieza del orificio (Fig. 10)

1. Complete el procedimiento **Para adosar las boquillas de limpieza de orificio**.
2. Encienda la aspiradora extractora de polvo de acuerdo con lo indicado en el manual de instrucciones de la aspiradora extractora de polvo.
NOTA: Cerciórese de que la manguera de conexión esté bien asegurada.
3. Coloque la boquilla de limpieza de orificio (A, B) en el orificio a ser limpiado.

MANTENIMIENTO

⚠ADVERTENCIA: SIEMPRE apague la herramienta y desconéctela de la fuente de alimentación antes de realizar cualesquier ajustes o quitar o instalar aditamentos o accesorios. Esto tiene aplicación tanto para el taladro como para la aspiradora extractora de polvo. Estas medidas de seguridad preventiva reducen el riesgo de poner en marcha la herramienta accidentalmente.

Su sistema de extracción de polvo de taladrado ha sido diseñado para operar durante un extenso período con un mínimo de mantenimiento. Su operación continuamente satisfactoria depende del cuidado apropiado de la herramienta y regularidad de limpieza.

PARA CAMBIAR LA ALMOHADILLA DE SUCCIÓN (FIG. 1)

1. Desconecte el sistema de extracción de polvo de la aspiradora extractora de polvo.
2. Desde abajo de la unidad retire los cuatro tornillos (S) para soltar la almohadilla de succión (I).
3. El procedimiento para reemplazo es el inverso del anterior.

Se pueden obtener almohadillas de succión nuevas de cualquier agente de servicio de DEWALT autorizado.

SOLUCIÓN DE PROBLEMAS

AVERÍA	CAUSA POSIBLE	REMEDIO
Emisión excesiva de polvo	la aspiradora extractora de polvo está llena	vacíe el sistema de extracción de polvo
	el filtro de la aspiradora extractora de polvo está bloqueado	limpie o cambie el filtro
	el canal de succión está bloqueado	limpie el canal de succión
El sistema de extracción de polvo no se pega a la superficie	se ha seleccionado el cabezal de taladrado incorrecto	seleccione el cabezal de taladrado correcto
	la aspiradora extractora de polvo está llena	vacíe el sistema de extracción de polvo
	el filtro de la aspiradora extractora de polvo está bloqueado	limpie o cambie el filtro
	el canal de succión está bloqueado	limpie el canal de succión
	la almohadilla de succión está dañada	retire la almohadilla de succión

LIMPIEZA

⚠ADVERTENCIA: Nunca utilice solventes u otros químicos fuertes cuando limpie las piezas no metálicas de la herramienta. Estas sustancias químicas pueden debilitar los materiales plásticos utilizados en estas piezas. Use un paño humedecido con agua y jabón suave. No permita que ningún líquido se introduzca en la herramienta; no sumerja ninguna parte de la herramienta en un líquido.

PARA LIMPIAR EL CANAL DE SUCCIÓN DEL ADAPTADOR DE EXTRACCIÓN DE POLVO (FIGS. 1, 11)

1. Oprima el botón de destrabado del cabezal de taladrado (F) y retire el cabezal de taladrado (G, H) del sistema de extracción de polvo (D).
2. Utilice la boquilla de limpieza de orificio (A) para quitar el polvo del canal de succión (P).
3. Vuelva a ensamblar el cabezal de taladrado al sistema de extracción de polvo.

PARA LIMPIAR EL CABEZAL DE TALADRADO (FIGS. 1, 12)

1. Oprima el botón de destrabado del cabezal de taladrado (F) y retire el cabezal de taladrado del sistema de extracción de polvo.
2. Retire la cubierta (Q) del cabezal de taladrado (G, H) y utilice la boquilla de limpieza de orificio (A) para quitar el polvo.
3. Vuelva a colocar la cubierta (Q) sobre el cabezal de taladrado y ensamble de nuevo al sistema de extracción de polvo (D).

Accesorios

⚠ADVERTENCIA: Como otros accesorios fuera de los ofrecidos por DEWALT no han sido probados con este producto, el uso de tales accesorios con esta herramienta podría ser peligroso. Para reducir el riesgo de lesiones, sólo se deberían usar los accesorios recomendados por DEWALT con este producto.

Si necesita ayuda, por favor póngase en contacto con DEWALT Industrial Tool Co., 701 East Joppa Road, Baltimore, MD 21286, llame al 1-800-4-DEWALT (1-800-433-9258) o visite nuestro sitio web www.dewalt.com.

Reparaciones

Para asegurar la SEGURIDAD y la CONFIABILIDAD del producto, las reparaciones, el mantenimiento y los ajustes deben (inclusive inspección y cambio de carbones) ser realizados en un centro de mantenimiento en la fábrica DEWALT, en un centro de mantenimiento autorizado DEWALT u por otro personal de mantenimiento calificado. Utilice siempre piezas de repuesto idénticas.

Póliza de Garantía

IDENTIFICACIÓN DEL PRODUCTO:

Sello o firma del Distribuidor.

Nombre del producto: _____ Mod./Cat.: _____

Marca: _____ Núm. de serie: _____

(Datos para ser llenados por el distribuidor)

Fecha de compra y/o entrega del producto: _____

Nombre y domicilio del distribuidor donde se adquirió el producto: _____

Este producto está garantizado por un año a partir de la fecha de entrega, contra cualquier defecto en su funcionamiento, así como en materiales y mano de obra empleados para su fabricación. Nuestra garantía incluye la reparación o reposición del producto y/o componentes sin cargo alguno para el cliente, incluyendo mano de obra, así como los gastos de transportación razonablemente erogados derivados del cumplimiento de este certificado.

Para hacer efectiva esta garantía deberá presentar su herramienta y esta póliza sellada por el establecimiento comercial donde se adquirió el producto, de no contar con ésta, bastará la factura de compra.

EXCEPCIONES.

Esta garantía no será válida en los siguientes casos:

- Cuando el producto se hubiese utilizado en condiciones distintas a las normales;
- Cuando el producto no hubiese sido operado de acuerdo con el instructivo de uso que se acompaña;
- Cuando el producto hubiese sido alterado o reparado por personas distintas a las enlistadas al final de este certificado.

Anexo encontrará una relación de sucursales de servicio de fábrica, centros de servicio autorizados y franquiciados en la República Mexicana, donde podrá hacer efectiva su garantía y adquirir partes, refacciones y accesorios originales.

Garantía limitada por tres años

DEWALT reparará, sin cargo, cualquier falla que surja de defectos en el material o la fabricación del producto, por hasta tres años a contar de la fecha de compra. Esta garantía no cubre fallas de las piezas causadas por su desgaste normal o abuso a la herramienta. Para mayores detalles sobre la cobertura de la garantía e información acerca de reparaciones realizadas bajo garantía, visítenos en www.dewalt.com o llame al 1-800-4-DEWALT (1-800-433-9258). Esta garantía no aplica a accesorios o a daños causados por reparaciones realizadas o intentadas por terceros. Esta garantía le otorga derechos legales específicos, además de los cuales puede tener otros dependiendo del estado o la provincia en que se encuentre.

Además de la garantía, las herramientas DEWALT están cubiertas por:

1 AÑO DE SERVICIO GRATUITO

DEWALT mantendrá la herramienta y reemplazará las piezas gastadas por su uso normal, sin cobro, en cualquier momento durante un año a contar de la fecha de compra. Los artículos gastados por la clavadora, tales como la unidad de hoja y retorno del impulsador, no están cubiertas.

GARANTÍA DE REEMBOLSO DE SU DINERO POR 90 DÍAS

Si no está completamente satisfecho con el desempeño de su máquina herramienta, láser o clavadora DEWALT, cualquiera sea el motivo, podrá devolverlo hasta 90 días de la fecha de compra con su recibo y obtener el reembolso completo de su dinero – sin necesidad de responder a ninguna pregunta.

AMÉRICA LATINA: Esta garantía no se aplica a los productos que se venden en América Latina. Para los productos que se venden en América Latina, debe consultar la información de la garantía específica del país que viene en el empaque, llamar a la compañía local o visitar el sitio Web a fin de obtener esa información.

REEMPLAZO GRATUITO DE LAS ETIQUETAS DE ADVERTENCIAS: Si sus etiquetas de advertencia se vuelven ilegibles o faltan, llame al 1-800-4-DEWALT (1-800-433-9258) para que se le reemplacen gratuitamente.



PARA REPARACIÓN Y SERVICIO DE SUS HERRAMIENTAS ELÉCTRICAS, FAVOR DE DIRIGIRSE AL CENTRO DE SERVICIO MÁS CERCANO

CULIACAN, SIN

Blvd. Emiliano Zapata 5400-1 Poniente
Col. San Rafael (667) 717 89 99

GUADALAJARA, JAL

Av. La Paz #1779 - Col. Americana Sector Juárez (33) 3825 6978

MEXICO, D.F.

Eje Central Lázaro Cárdenas No. 18
Local D, Col. Obrera (55) 5588 9377

MERIDA, YUC

Calle 63 #459-A - Col. Centro (999) 928 5038

MONTERREY, N.L.

Av. Francisco I. Madero 831 Poniente - Col. Centro (818) 375 23 13

PUEBLA, PUE

17 Norte #205 - Col. Centro (222) 246 3714

QUERETARO, QRO

Av. San Roque 274 - Col. San Gregorio (442) 2 17 63 14

SAN LUIS POTOSI, SLP

Av. Universidad 1525 - Col. San Luis (444) 814 2383

TORREON, COAH

Blvd. Independencia, 96 Pte. - Col. Centro (871) 716 5265

VERACRUZ, VER

Prolongación Díaz Mirón #4280 - Col. Remes (229) 921 7016

VILLAHERMOSA, TAB

Constitución 516-A - Col. Centro (993) 312 5111

PARA OTRAS LOCALIDADES:

Si se encuentra en México, por favor llame al (55) 5326 7100

Si se encuentra en U.S., por favor llame al
1-800-433-9258 (1-800 4-DEWALT)

SOLAMENTE PARA PROPÓSITO DE MÉXICO:
IMPORTADO POR: DEWALT S.A. DE C.V.
BOSQUES DE CIDROS, ACCESO RADIATAS NO.42
3A. SECCIÓN DE BOSQUES DE LAS LOMAS
DELEGACIÓN CUAJIMALPA,
05120, MÉXICO, D.F.
TEL. (52) 555-326-7100
R.F.C.: BDE810626-1W7

Para servicio y ventas consulte
"HERRAMIENTAS ELÉCTRICAS"
en la sección amarilla.

