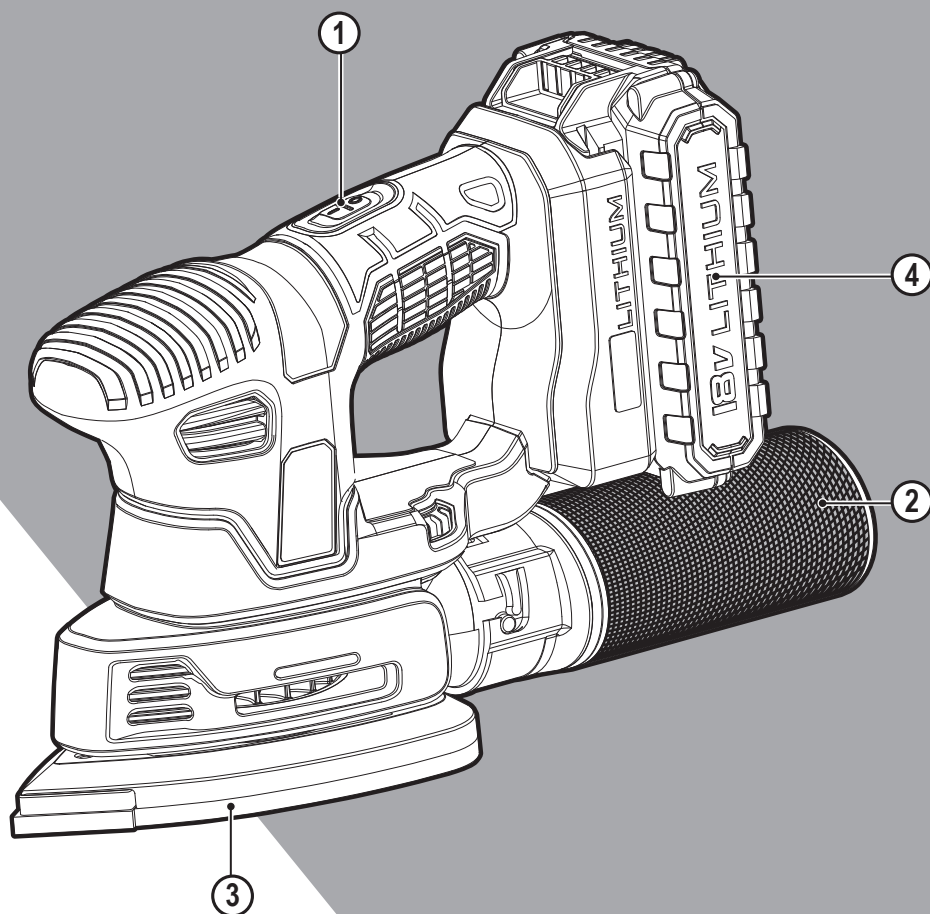


STANLEY®

FATMAX®



www.stanley.eu

FMCW210

EN

DE

FR

IT

NL

ES

PT

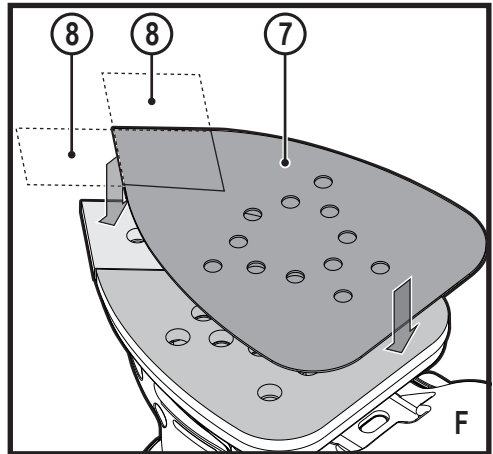
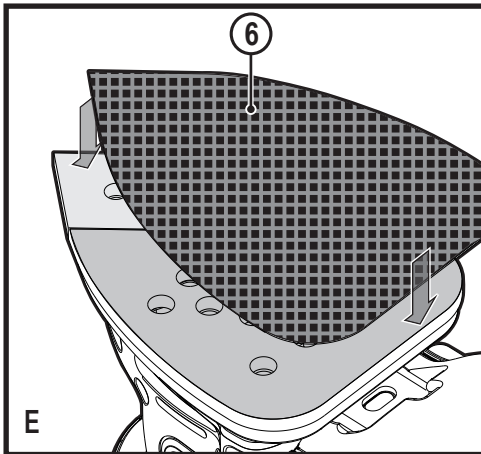
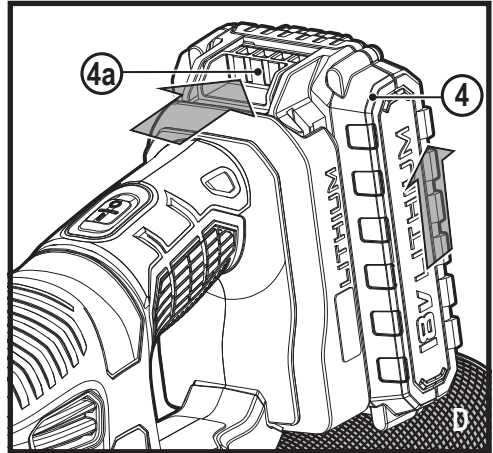
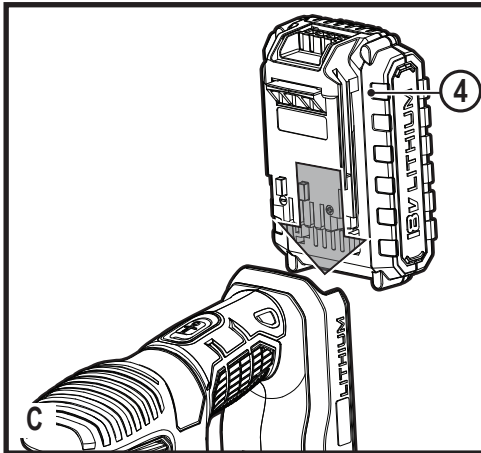
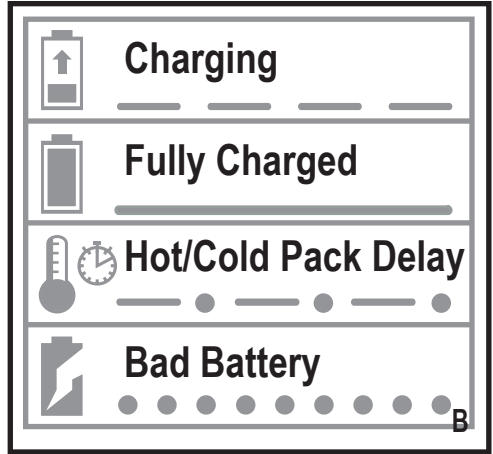
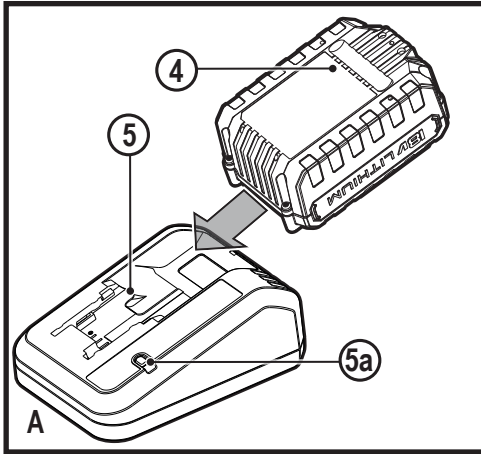
SV

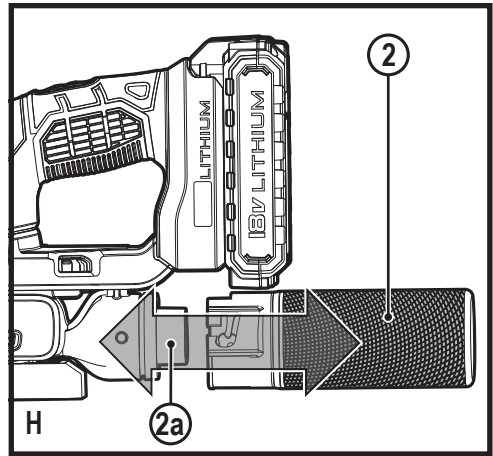
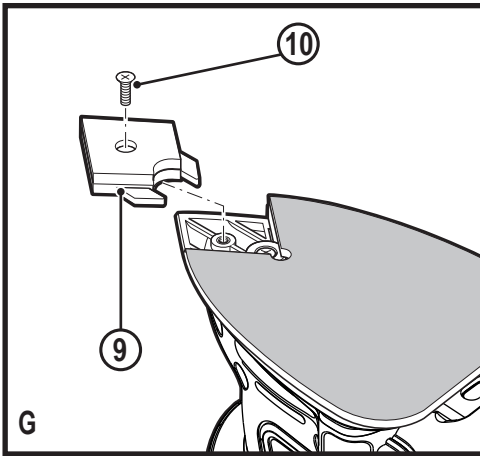
NO

DK

FI

EL





Intended use

Your Stanley Fat Max FMCW210 sander has been designed for sanding wood, metal, plastics and painted surfaces. This appliance is intended for professional and private, non professional users.

Safety instructions

General power tool safety warnings



Warning! Read all safety warnings and all instructions. Failure to follow the warnings and instructions listed below may result in electric shock, fire and/or serious injury.

Save all warnings and instructions for future reference.

The term "power tool" in all of the warnings listed below refers to your mains operated (corded) power tool or battery operated (cordless) power tool.

1. Work area safety

- a. **Keep work area clean and well lit.** Cluttered or dark areas invite accidents.
- b. **Do not operate power tools in explosive atmospheres, such as in the presence of flammable liquids, gases or dust.** Power tools create sparks which may ignite the dust or fumes.
- c. **Keep children and bystanders away while operating a power tool.** Distractions can cause you to lose control.

2. Electrical safety

- a. **Power tool plugs must match the outlet. Never modify the plug in any way. Do not use any adapter plugs with earthed (grounded) power tools.** Unmodified plugs and matching outlets will reduce risk of electric shock.

- b. **Avoid body contact with earthed or grounded surfaces such as pipes, radiators, ranges and refrigerators.** There is an increased risk of electric shock if your body is earthed or grounded.
- c. **Do not expose power tools to rain or wet conditions.** Water entering a power tool will increase the risk of electric shock.
- d. **Do not abuse the cord. Never use the cord for carrying, pulling or unplugging the power tool. Keep cord away from heat, oil, sharp edges or moving parts.** Damaged or entangled cords increase the risk of electric shock.
- e. **When operating a power tool outdoors, use an extension cord suitable for outdoor use.** Use of a cord suitable for outdoor use reduces the risk of electric shock.
- f. **If operating a power tool in a damp location is unavoidable, use a residual current device (RCD) protected supply.** Use of an RCD reduces the risk of electric shock.

3. Personal safety

- a. **Stay alert, watch what you are doing and use common sense when operating a power tool. Do not use a power tool while you are tired or under the influence of drugs, alcohol or medication.** A moment of inattention while operating power tools may result in serious personal injury.
- b. **Use personal protective equipment. Always wear eye protection.** Protective equipment such as dust mask, non-skid safety shoes, hard hat, or hearing protection used for appropriate conditions will reduce personal injuries.
- c. **Prevent unintentional starting. Ensure the switch is in the off-position before connecting to power source and/or battery pack, picking up or carrying the tool.**

Carrying power tools with your finger on the switch or energising power tools that have the switch on invites accidents.

- d. **Remove any adjusting key or wrench before turning the power tool on.** A wrench or a key left attached to a rotating part of the power tool may result in personal injury.
- e. **Do not overreach. Keep proper footing and balance at all times.** This enables better control of the power tool in unexpected situations.
- f. **Dress properly. Do not wear loose clothing or jewellery. Keep your hair, clothing and gloves away from moving parts.** Loose clothes, jewellery or long hair can be caught in moving parts.
- g. **If devices are provided for the connection of dust extraction and collection facilities, ensure these are connected and properly used.** Use of dust collection can reduce dust-related hazards.

4. Power tool use and care

- a. **Do not force the power tool. Use the correct power tool for your application.** The correct power tool will do the job better and safer at the rate for which it was designed.
- b. **Do not use the power tool if the switch does not turn it on and off.** Any power tool that cannot be controlled with the switch is dangerous and must be repaired.
- c. **Disconnect the plug from the power source and/or the battery pack from the power tool before making any adjustments, changing accessories, or storing power tools.** Such preventive safety measures reduce the risk of starting the power tool accidentally.
- d. **Store idle power tools out of the reach of children and do not allow persons unfamiliar with the power tool or these instructions to operate the power tool.** Power tools are dangerous in the hands of untrained users.
- e. **Maintain power tools. Check for misalignment or binding of moving parts, breakage of parts and any other condition that may affect the power tools operation. If damaged, have the power tool repaired before use.** Many accidents are caused by poorly maintained power tools.
- f. **Keep cutting tools sharp and clean.** Properly maintained cutting tools with sharp cutting edges are less likely to bind and are easier to control.
- g. **Use the power tool, accessories and tool bits etc. in accordance with these instructions, taking into account the working conditions and the work to be performed.** Use of the power tool for operations different from those intended could result in a hazardous situation.

5. Battery tool use and care

- a. **Recharge only with the charger specified by the manufacturer.**

A charger that is suitable for one type of battery pack may create a risk of fire when used with another battery pack.

- b. **Use power tools only with specifically designated battery packs.** Use of any other battery packs may create a risk of injury and fire.
- c. **When battery pack is not in use, keep it away from other metal objects, like paper clips, coins, keys, nails, screws or other small metal objects, that can make a connection from one terminal to another.** Shorting the battery terminals together may cause burns or a fire.
- d. **Under abusive conditions, liquid may be ejected from the battery; avoid contact. If contact accidentally occurs, flush with water. If liquid contacts eyes, additionally seek medical help.** Liquid ejected from the battery may cause irritation or burns.

6. service

- a. **Have your power tool serviced by a qualified repair person using only identical replacement parts.** This will ensure that the safety of the power tool is maintained.

Additional power tool safety warnings



Warning! Additional safety warnings for sanders



Warning! Contact with or inhalation of dusts arising from sanding applications may endanger the health of the operator and possible bystanders. Wear a dust mask specifically designed for protection against dust and fumes and ensure that persons within or entering the work area are also protected.

- ◆ **Hold power tool by insulated gripping surfaces when performing an operation where the sanding accessory may contact hidden wiring.** Accessory contacting a "live" wire may make exposed metal parts of the power tool "live" and could give the operator an electric shock.
- ◆ **Use clamps or another practical way to secure and support the workpiece to a stable platform.** Holding the work by hand or against your body leaves it unstable and may lead to loss of control.



Warning! Take special care when sanding some woods (e.g. beech, oak) and metal which may produce toxic dust. Wear a dust mask specifically designed for protection against toxic dust and fumes and ensure that persons within or entering the work area are also protected.



Warning! Use this tool in a well ventilated area when sanding ferrous metals. Do not operate the tool near flammable liquids, gases or dust. Sparks or hot particles from sanding or arcing motor brushes may ignite combustible materials.



Warning! Do not sand magnesium! There is a risk of fire or explosions.

- ◆ Thoroughly remove all dust after sanding.
- ◆ The intended use is described in this instruction manual. The use of any accessory or attachment or performance of any operation with this tool other than those recommended in this instruction manual may present a risk of personal injury and/or damage to property.

Safety when sanding paint



Warning! Observe the applicable regulations for sanding paint. Pay special attention to the following:

- ◆ Whenever possible, use a vacuum extractor for dust collection.
- ◆ Take special care when sanding paint which is possibly lead based and may produce toxic dust:
 - ◆ Do not let children or pregnant women enter the work area.
 - ◆ All persons entering the work area should wear a mask specially designed for protection against lead paint dust and fumes.
 - ◆ Do not eat, drink or smoke in the work area.
- ◆ Dispose of dust particles and any other removal debris safely.

Safety of others

- ◆ This appliance is not intended for use by persons (including children) with reduced physical, sensory or mental capabilities, or lack of experience and knowledge, unless they have been given supervision or instruction concerning use of the appliance by a person responsible for their safety.
- ◆ Children should be supervised to ensure that they do not play with the appliance.

Residual risks.

Additional residual risks may arise when using the tool which may not be included in the enclosed safety warnings. These risks can arise from misuse, prolonged use etc.

Even with the application of the relevant safety regulations and the implementation of safety devices, certain residual risks can not be avoided. These include:

- ◆ Injuries caused by touching any rotating/moving parts.

- ◆ Injuries caused when changing any parts, blades or accessories.
- ◆ Injuries caused by prolonged use of a tool. When using any tool for prolonged periods ensure you take regular breaks.
- ◆ Impairment of hearing.
- ◆ Health hazards caused by breathing dust developed when using your tool (example:- working with wood, especially oak, beech and MDF.)

Vibration

The declared vibration emission values stated in the technical data and the declaration of conformity have been measured in accordance with a standard test method provided by EN 60745 and may be used for comparing one tool with another. The declared vibration emission value may also be used in a preliminary assessment of exposure.

Warning! The vibration emission value during actual use of the power tool can differ from the declared value depending on the ways in which the tool is used. The vibration level may increase above the level stated.

When assessing vibration exposure to determine safety measures required by 2002/44/EC to protect persons regularly using power tools in employment, an estimation of vibration exposure should consider, the actual conditions of use and the way the tool is used, including taking account of all parts of the operating cycle such as the times when the tool is switched off and when it is running idle in addition to the trigger time.

Additional safety instructions for batteries and chargers

Batteries

- ◆ Never attempt to open for any reason.
- ◆ Do not expose the battery to water.
- ◆ Do not store in locations where the temperature may exceed 40 °C.
- ◆ Charge only at ambient temperatures between 10 °C and 40 °C.
- ◆ Charge only using the charger provided with the tool.
- ◆ When disposing of batteries, follow the instructions given in the section "Protecting the environment".



Do not attempt to charge damaged batteries.

Chargers

- ◆ Use your BLACK+DECKER charger only to charge the battery in the tool with which it was supplied. Other batteries could burst, causing personal injury and damage.
- ◆ Never attempt to charge non-rechargeable batteries.
- ◆ Have defective cords replaced immediately.
- ◆ Do not expose the charger to water.

- ◆ Do not open the charger.
- ◆ Do not probe the charger.



The charger is intended for indoor use only.



Read the instruction manual before use.

Labels on tool

The following pictograms along with the date code are shown on the tool:



Warning! To reduce the risk of injury, the user must read the instruction manual.



Wear a dust mask.

Electrical safety



Your charger is double insulated; therefore no earth wire is required. Always check that the mains voltage corresponds to the voltage on the rating plate. Never attempt to replace the charger unit with a regular mains plug.

- ◆ If the supply cord is damaged, it must be replaced by the manufacturer or an authorised Stanley Fat Max Service Centre in order to avoid a hazard.

Features

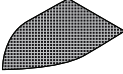
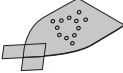

This tool includes some or all of the following features.

1. On/off switch
2. Dust collection cassette
3. Sanding base
4. Finger attachment
5. Battery

Accessories

The accessories supplied with your sander depend upon the model that you have purchased. All the accessories listed below are available in our range. If you require an accessory that is listed below but is not supplied with your sander please visit our website at www.blackanddecker.eu.

The performance of your tool depends on the accessory used. Stanley Fat Max accessories are engineered to high quality standards and designed to enhance the performance of your tool. By using these accessories you will get the very best from your tool.

Item	Description
	240 grit sanding mesh. For a fine finish for large detail sanding. (Part Number - X39132-XJ)
	120 grit sanding mesh. For a medium finish for large detail sanding. (Part Number - X39127-XJ)
	80 grit sanding mesh. For a coarse finish for large detail sanding. (Part Number - X39122-XJ)
	240 grit large detail sanding sheet with two replacement tips. For a fine finish for large detail sanding. (Part Number - X31019-XJ)
	120 grit large detail sanding sheet with two replacement tips. For a medium finish for large detail sanding. (Part Number - X31009-XJ)
	60 grit large detail sanding sheet with two replacement tips. For a coarse finish for large detail sanding. (Part Number - X31039-XJ)
	120 grit detailed finger sanding sheet. For a medium finish for detailed sanding. (Part Number - X3277-XJ)

Charging procedure (Fig. A)

Stanley Fat Max chargers are designed to charge Stanley Fat Max battery packs.

- ◆ Plug the charger (5) into an appropriate outlet before inserting the battery pack (4).
- ◆ Insert the battery pack (4) into the charger (5) as shown in figure A.
- ◆ The LED (5a) will flash indicating that the battery is being charged.
- ◆ The completion of charge is indicated by the LED (5a) remaining on continuously.
The pack is fully charged and may be used at this time or left on the charger.

Note: Recharge discharged batteries as soon as possible after use or battery life may be greatly diminished. For longest battery life, do not discharge batteries fully.

It is recommended that the batteries be recharged after each use.

Leaving the battery in the charger

The charger (5) and battery pack (4) can be left connected with the LED glowing indefinitely.

The charger will keep the battery pack fresh and fully charged.

Important charging notes

- ◆ Longest life and best performance can be obtained if the battery pack is charged when the air temperature is between 65°F and 75°F (18°- 24°C). DO NOT charge the battery pack in an air temperature below +40°F (+4.5°C), or above +105°F (+40.5°C). This is important and will prevent serious damage to the battery pack.
- ◆ The charger and battery pack may become warm to touch while charging. This is a normal condition, and does not indicate a problem. To facilitate the cooling of the battery pack after use, avoid placing the charger or battery pack in a warm environment such as in a metal shed, or an uninsulated trailer.
- ◆ If the battery pack does not charge properly:
 - ◆ Check current at receptacle by plugging in a lamp or other appliance.
 - ◆ Check to see if receptacle is connected to a light switch which turns power off when you turn out the lights.
 - ◆ Move charger and battery pack to a location where the surrounding air temperature is approximately 65°F - 75°F (18° - 24°C).
 - ◆ If charging problems persist, take the tool, battery pack and charger to your local service center.
- ◆ The battery pack should be recharged when it fails to produce sufficient power on jobs which were easily done previously. DO NOT CONTINUE to use under these conditions. Follow the charging procedure. You may also charge a partially used pack whenever you desire with no adverse affect on the battery pack.
- ◆ Foreign materials of a conductive nature such as, but not limited to, steel wool, aluminium foil, or any buildup of metallic particles should be kept away from charger cavities. Always unplug the charger from the power supply when there is no battery pack in the cavity. Unplug charger before attempting to clean.
- ◆ Do not freeze or immerse charger in water or any other liquid.

Warning! Do not allow any liquid to get inside charger. Never attempt to open the battery pack for any reason.

If the plastic housing of the battery pack breaks or cracks, return to a service center for recycling.

Charger Diagnostics (Fig.B)

Refer to the indicators in figure B for the charge status of the battery pack.

Bad Battery

If you see a bad battery blink pattern, do not continue to charge this battery. Return it to a service center or a collection site for recycling.

Hot/Cold Pack Delay

When the charger detects a battery pack that is too hot or too cold, it automatically starts a Hot/Cold Pack Delay, suspending charging until the battery pack has reached an appropriate temperature. The charger then automatically switches to the pack charging mode. This feature ensures maximum battery pack life. A cold battery pack will charge at a slower rate than a warm battery pack. The pack will charge at that slower rate throughout the entire charging cycle and will not return to maximum charge rate even if the pack warms.

Installing and removing the battery pack from the tool

To install battery pack (Fig. C)

- ◆ Insert battery (4) into tool foot until an audible click is heard (Figure. C)
- ◆ Ensure battery pack is fully seated and fully latched into position.

To remove battery pack (Fig.D)

- ◆ Depress the battery release button (4a) as shown in figure D and pull battery pack (4) out of tool foot.

Assembly

Warning! Before assembly, make sure that the tool is switched off and the battery is removed.

Fitting sanding mesh (Fig. E)

- ◆ Hold the tool with the sanding base facing upwards.
- ◆ Place the sanding mesh (6) onto the sanding base, making sure that the holes in the sheet line up with the holes in the base.

Fitting sanding sheets (Fig. F - Optional accessory)

- ◆ Detach the two additional diamond-shaped tips (8) from the sanding sheet (7).

The diamond-shaped tip (8) can be reversed and replaced when worn.

- ◆ When the front part of the tip (8) is worn, detach it from the sheet, reverse it and press it onto the sanding base again.
- ◆ When the whole tip is worn, remove it from the sanding base and fit a new tip.

For optimal dust collection, ensure the correct type of sanding paper is used.

Replacing diamond shaped tip (Fig. G)

- ◆ Replace the diamond shaped tip (9).
- ◆ Replace and tighten screw (10).

Fitting and removing the dust cassette (Fig. H)

- ◆ Slide the dust cassette (2) onto the connector (2a) and make sure that it is securely located.
- ◆ To remove the dust cassette, pull it to the rear and away from the rear end of the tool.

Use

Warning! Let the tool work at its own pace. Do not overload.

Switching on and off

- ◆ To switch the tool on, depress the on/off switch (1) at the forward position I.
- ◆ To switch the tool off, depress the on/off switch (1) at the back position O.

Maintenance

Your tool has been designed to operate over a long period of time with a minimum of maintenance. Continuous satisfactory operation depends upon proper tool care and regular cleaning.

Warning! Before performing any maintenance, switch off and unplug the tool or remove the battery pack.

- ◆ Regularly clean the ventilation slots in your tool using a soft brush or dry cloth.
- ◆ Regularly clean the motor housing using a damp cloth. Do not use any abrasive or solvent-based cleaner.

Protecting the environment



Separate collection. Products and batteries marked with this symbol must not be disposed of with normal household waste.

Products and batteries contain materials that can be recovered or recycled reducing the demand for raw materials. Please recycle electrical products and batteries according to local provisions. Further information is available at www.2helpU.com

Technical data

		FMCW210
Input voltage	V _{DC}	18
Oscillations (no load)	min ⁻¹	12000
Orbits (no load)	min ⁻¹	12000
Sanding base surface	mm ²	8866
Weight	kg	0.88

		FMC687L
Battery		
Voltage	V _{DC}	18
Capacity	Ah	2.0
Type		1
Charger		90608625
Input voltage	V _{AC}	230
Output voltage	V _{DC}	18
Current	mA	2000

L _{DA} (sound pressure) 68 dB(A), Uncertainty (K) 3 dB(A)
L _{WA} (sound power) 79 dB(A), Uncertainty (K) 3 dB(A)
Vibration total values (triax vector sum) according to EN 60745:
Vibration emission value (main handle) (a _h) 5,9 m/s ² , uncertainty (K) 1,5 m/s ²
Vibration emission value (aux. handle) (a _h) 7,3 m/s ² , uncertainty (K) 1,5 m/s ²

EC declaration of conformity

MACHINERY DIRECTIVE



FMCW210 - Sander

Stanley Europe declares that these products described under "technical data" are in compliance with:
2006/42/EC, EN60745-1:2009+A11:2010, EN60745-2-4:2009+A11:2011

These products also comply with Directive 2014/30/EU and 2011/65/EU. For more information, please contact Stanley Fat Max at the following address or refer to the back of the manual.

The undersigned is responsible for compilation of the technical file and makes this declaration on behalf of Black & Decker.

R. Laverick
Director of Engineering
Stanley Europe, Egide Walschaertsstraat14-18,
2800 Mechelen, Belgium
23/08/2017

Garantie

Stanley Fat Max is confident of the quality of its products and offers consumers a 12 month guarantee from the date of purchase. This guarantee is in addition to and in no way prejudices your statutory rights. The guarantee is valid within the territories of the Member States of the European Union and the European Free Trade Area.

To claim on the guarantee, the claim must be in accordance with Stanley Fat Max Terms and Conditions and you will need to submit proof of purchase to the seller or an authorised repair agent.

Terms and conditions of the Stanley Fat Max 1 year guarantee and the location of your nearest authorised repair agent can be obtained on the Internet at www.2helpU.com, or by contacting your local Stanley Fat Max office at the address indicated in this manual.

Please visit our website www.stanley.eu/3 to register your new Stanley Fat Max product and receive updates on new products and special offers.

DEUTSCH

(Übersetzung der ursprünglichen
Anweisungen)

Verwendungszweck

Ihr Stanley FatMax Schleifgerät FMCW210 wurde zum Schleifen von Holz, Metall, Kunststoff und lackierten Oberflächen entwickelt. Dieses Gerät ist zum gewerblichen und privaten Einsatz vorgesehen.

Sicherheitshinweise

Allgemeine Sicherheitswarnungen für das Gerät



Warnung! Lesen Sie alle Sicherheitswarnhinweise und alle Anweisungen. Die Nichteinhaltung der folgenden Warnungen und Anweisungen kann einen elektrischen Schlag, Brand und/oder schwere Verletzungen verursachen.

Bewahren Sie alle Sicherheitswarnungen und Anweisungen gut auf. Der nachfolgend verwendete Begriff "Gerät" bezieht sich auf netzbetriebene Geräte (mit Netzkabel) und auf akkubetriebene Geräte (ohne Netzkabel).

1. Sicherheit im Arbeitsbereich

- a. **Halten Sie Ihren Arbeitsbereich sauber und gut ausgeleuchtet.** Unaufgeräumte oder dunkle Bereiche begünstigen Unfälle.
- b. **Betreiben Sie das Gerät nicht in Umgebungen, in denen Explosionsgefahr z. B. aufgrund von brennbaren Flüssigkeiten, Gasen oder Staub besteht.** Geräte erzeugen Funken, die den Staub oder die Dämpfe entzünden können.



- c. **Halten Sie Kinder und andere Personen während der Benutzung eines Geräts fern.** Bei Ablenkung können Sie die Kontrolle verlieren.

2. Elektrische Sicherheit

- a. **Der Netzstecker des Geräts muss in die Steckdose passen. Ändern Sie niemals den Stecker in irgendeiner Form. Verwenden Sie keinerlei Adapterstecker an geerdeten Elektrogeräten.** Unveränderte Stecker und passende Steckdosen mindern die Gefahr eines elektrischen Schlages.
- b. **Vermeiden Sie Körperkontakt mit geerdeten Oberflächen von Rohren, Heizungen, Herden und Kühlschränken.** Es besteht eine erhöhte Gefahr für einen elektrischen Schlag, wenn Ihr Körper geerdet ist.
- c. **Halten Sie Geräte von Regen und Nässe fern.** Das Eindringen von Wasser in ein Gerät erhöht das Risiko eines elektrischen Schlags.
- d. **Verwenden Sie das Kabel ordnungsgemäß. Verwenden Sie es niemals zum Tragen. Trennen Sie das Gerät nicht durch Ziehen am Kabel vom Netz. Halten Sie das Kabel fern von Hitze, Öl, scharfen Kanten oder beweglichen Teilen.** Beschädigte oder verhedderte Kabel erhöhen die Gefahr eines elektrischen Schlages.
- e. **Verwenden Sie nur für den Außenbereich zugelassene Verlängerungskabel, wenn Sie mit dem Gerät im Freien arbeiten.** Die Verwendung eines für den Außenbereich geeigneten Verlängerungskabels verringert das Risiko eines elektrischen Schlags.
- f. **Wenn das Gerät in einer feuchten Umgebung verwendet werden muss, schließen Sie es unbedingt an eine Steckdose mit Fehlerstromschutzschalter (FI-Schalter) an.** Ein Fehlerstromschutzschalter verringert das Risiko eines elektrischen Schlags.

3. Sicherheit von Personen

- a. **Seien Sie aufmerksam, achten Sie darauf, was Sie tun, und gehen Sie sachgerecht mit einem Gerät um. Benutzen Sie kein Gerät, wenn Sie müde sind oder unter dem Einfluss von Drogen, Alkohol oder Medikamenten stehen.** Ein Moment der Unachtsamkeit beim Betrieb eines Geräts kann zu schweren Verletzungen führen.
- b. **Verwenden Sie eine geeignete Schutzausrüstung. Tragen Sie immer einen Augenschutz.** Das Tragen persönlicher Schutzausrüstung, wie Staubmaske, rutschfeste Sicherheitsschuhe, Schutzhelm oder Gehörschutz, je nach Art und Einsatz des Geräts, verringert das Risiko von Verletzungen.
- c. **Vermeiden Sie eine unbeabsichtigte Inbetriebnahme.**

- Vergewissern Sie sich, dass das Gerät ausgeschaltet ist, bevor Sie es an eine Steckdose oder einen Akku anschließen, es hochheben oder tragen.** Wenn Sie beim Tragen des Geräts den Finger am Schalter haben oder das Gerät eingeschaltet an die Stromversorgung anschließen, kann dies zu Unfällen führen.
- d. **Entfernen Sie Einstell- oder Schraubenschlüssel, bevor Sie das Gerät einschalten.** Werkzeuge oder Schlüssel, die an rotierenden Teilen des Geräts angebracht sind, können zu Verletzungen führen.
- e. **Beugen Sie sich nicht zu weit nach vorne. Sorgen Sie für einen sicheren Stand und halten Sie jederzeit das Gleichgewicht.** Dadurch können Sie das Gerät in unerwarteten Situationen besser kontrollieren.
- f. **Tragen Sie geeignete Kleidung. Tragen Sie keine weite Kleidung und keinen Schmuck. Halten Sie Ihre Haare, Kleidung und Handschuhe von beweglichen Teilen fern.** Lose sitzende Kleidung, Schmuck oder lange Haare können sich in den beweglichen Teilen verfangen.
- g. **Falls Vorrichtungen zum Absaugen oder Auffangen von Staub vorhanden sind, vergewissern Sie sich, dass diese angeschlossen sind und richtig verwendet werden.** Das Verwenden einer Staubauffangvorrichtung verringert Gefährdungen durch Staub.
- 4. Gebrauch und Pflege von Geräten**
- a. **Überlasten Sie das Gerät nicht. Verwenden Sie das für Ihre Arbeit passende Gerät.** Das richtige Gerät wird die Aufgabe besser und sicherer erledigen, wenn es bestimmungsgemäß verwendet wird.
- b. **Verwenden Sie das Gerät nicht, wenn der Ein-/Ausschalter nicht funktioniert.** Ein Gerät, das sich nicht mehr ein- oder ausschalten lässt, ist gefährlich und muss repariert werden.
- c. **Ziehen Sie den Stecker aus der Steckdose, oder trennen Sie das Gerät vom Akku, bevor Sie Einstellungen vornehmen, Zubehörteile wechseln oder das Gerät lagern.** Diese Vorbeugemaßnahmen mindern die Gefahr, dass das Elektrogerät unbeabsichtigt startet.
- d. **Bewahren Sie unbenutzte Geräte außerhalb der Reichweite von Kindern auf. Lassen Sie Geräte nicht von Personen benutzen, die damit nicht vertraut sind oder diese Anweisungen nicht gelesen haben.** Geräte sind in den Händen nicht geschulter Personen gefährlich.
- e. **Halten Sie das Gerät in einem einwandfreien Zustand. Kontrollieren Sie, ob bewegliche Teile falsch ausgerichtet sind oder klemmen und ob Teile gebrochen oder so beschädigt sind, dass die Funktion des Geräts beeinträchtigt ist. Bei Beschädigungen lassen Sie das Gerät reparieren, bevor Sie es verwenden.** Viele Unfälle entstehen wegen mangelnder Wartung der Geräte.
- f. **Halten Sie Schneidgeräte scharf und sauber.** Richtig gewartete Schneidwerkzeuge mit scharfen Klingen blockieren seltener und sind leichter unter Kontrolle zu halten.
- g. **Verwenden Sie Gerät, Zubehör, Einsatz-Bits usw. entsprechend diesen Anweisungen und berücksichtigen Sie dabei die Arbeitsbedingungen und die auszuführende Arbeit.** Der Gebrauch von Geräten für andere als die vorgesehenen Zwecke kann zu gefährlichen Situationen führen.
- 5. Gebrauch und Pflege von Akkuwerkzeugen**
- a. **Laden Sie den Akku nur mit dem vom Hersteller vorgesehenen Ladegerät auf.**
Für ein Ladegerät, das nur für eine bestimmte Akkuart geeignet ist, besteht Brandgefahr, wenn es mit anderen Akkus verwendet wird.
- b. **Verwenden Sie nur die für das jeweilige Gerät vorgesehenen Akkus.** Die Verwendung anderer Akkus kann zu Verletzungen oder Bränden führen.
- c. **Bewahren Sie den Akku bei Nichtbenutzung nicht in der Nähe metallischer Objekte wie Büroklammern, Münzen, Schlüsseln, Nägeln oder Schrauben auf, da diese eine Verbindung zwischen beiden Polen des Akkus herstellen können.** Durch den dadurch entstehenden Kurzschluss kann der Akku in Brand geraten.
- d. **Bei falscher Anwendung kann Flüssigkeit aus dem Akku austreten. Vermeiden Sie den Kontakt damit. Bei unbeabsichtigtem Kontakt mit Wasser abspülen. Gelangt die Flüssigkeit in die Augen, ziehen Sie außerdem ärztliche Hilfe hinzu.** Austretende Akkufflüssigkeit kann zu Hautreizungen oder Verbrennungen führen.
- 6. Service**
- a. **Lassen Sie das Gerät nur von qualifiziertem Fachpersonal und nur mit Originalersatzteilen reparieren.** Damit wird sichergestellt, dass die Sicherheit des Geräts erhalten bleibt.
- Zusätzliche Sicherheitswarnungen für das Gerät**
-  Warnung! Zusätzliche Sicherheitswarnungen für Schleifgeräte
-  Warnung! Die beim Schleifen von bestimmten Materialien entstehenden Stäube können bei Berührung oder Einatmen die Gesundheit schädigen. Tragen Sie eine speziell für den Schutz vor Staub und Dämpfen vorgesehene Staubmaske, und stellen Sie sicher, dass auch andere Personen entsprechend geschützt sind, die den Arbeitsplatz betreten oder sich dort aufhalten.

- ◆ **Halten Sie das Elektrowerkzeug an den isolierten Griffflächen, wenn Arbeiten durchgeführt werden, bei denen das Schleifzubehör versteckte Leitungen berühren könnte.** Der Kontakt mit stromführenden Leitungen kann auch offenliegende Metallteile am Gerät unter Strom setzen und zu einem Stromschlag führen.
- ◆ **Sichern Sie das Werkstück zum Beispiel mit Einspannvorrichtungen auf einer stabilen Plattform.** Das Werkstück ist instabil, wenn es mit der Hand oder dem Körper abgestützt wird, was zum Verlust der Kontrolle führen kann.



Warnung! Besondere Vorsicht gilt beim Schleifen einiger Holzarten (z.B. Buche, Eiche) und von Metall, da hierbei giftiger Staub entstehen kann. Tragen Sie daher Staubmasken, die speziell zum Schutz vor giftigem Staub und Gasen konzipiert sind, und stellen Sie sicher, dass auch andere Personen geschützt werden, die sich im Arbeitsbereich aufhalten oder ihn betreten.



Warnung! Sorgen Sie beim Schleifen eisenhaltiger Metalle stets für ausreichende Belüftung. Betreiben Sie das Gerät nicht in der Umgebung von brennbaren Flüssigkeiten, Gasen oder Staub. Beim Schleifen entstehende Funken oder Späne sowie die Energieentladungen an den Motorbürsten können entflammable Materialien entzünden.



Warnung! Schleifen Sie kein Magnesium! Es besteht Brand- bzw. Explosionsgefahr.

- ◆ Entfernen Sie nach dem Schleifen sorgfältig alle Staubreste.
- ◆ Die bestimmungsgemäße Verwendung ist in dieser Betriebsanleitung beschrieben. Die Verwendung von Zubehör- oder Anbauteilen, die nicht in dieser Anleitung empfohlen werden, sowie die Bedienung des Geräts in Abweichung von den in dieser Anleitung beschriebenen Verfahren können zu Verletzungen und/oder Sachschäden führen.

Sicherheitsanweisungen für das Schleifen von Farben



Warnung! Beachten Sie die Richtlinien für das Schleifen von Farben. Achten Sie besonders auf folgende Aspekte:

- ◆ Verwenden Sie wenn möglich eine Staubabsaugvorrichtung.
- ◆ Treffen Sie beim Schleifen von möglicherweise bleihaltigen Farben, die giftigen Staub bilden können, besondere Maßnahmen:
 - ◆ Verhindern Sie, dass Kinder oder Schwangere den Arbeitsplatz betreten.

- ◆ Alle Personen, die den Arbeitsbereich betreten, sollten eine Maske tragen, die speziell für den Schutz vor Stäuben und Dämpfen von bleihaltiger Farbe vorgesehen ist.
- ◆ Essen, trinken und rauchen Sie nicht am Arbeitsplatz.
- ◆ Entsorgen Sie Staubteilchen und andere Schleifabfälle sachgerecht.

Sicherheit anderer Personen

- ◆ Dieses Gerät darf nicht von Personen (einschließlich Kindern) mit eingeschränkten physischen, sensorischen oder mentalen Fähigkeiten oder ohne ausreichende Erfahrung oder Kenntnisse verwendet werden, außer wenn diese Personen von einer Person, die für ihre Sicherheit verantwortlich ist, bei der Verwendung des Geräts beaufsichtigt oder mit ihm vertraut gemacht werden.
- ◆ Kinder müssen beaufsichtigt werden, um sicherzustellen, dass sie nicht mit dem Gerät spielen.

Restrisiken.

Beim Gebrauch dieses Geräts verbleiben zusätzliche Restrisiken, die möglicherweise nicht in den Sicherheitswarnungen genannt werden. Diese Risiken bestehen beispielsweise bei Missbrauch oder längerem Gebrauch.

Auch bei der Einhaltung der entsprechenden Sicherheitsvorschriften und der Verwendung aller Sicherheitsgeräte bestehen weiterhin bestimmte Restrisiken. Diese sind:

- ◆ Verletzungen, die durch das Berühren von sich drehenden/bewegenden Teilen verursacht werden.
- ◆ Verletzungen, die durch das Austauschen von Teilen, Messern oder Zubehör verursacht werden.
- ◆ Der längere Gebrauch eines Geräts kann Verletzungen zur Folge haben. Legen Sie bei längerem Gebrauch regelmäßige Pausen ein.
- ◆ Schwerhörigkeit.
- ◆ Gesundheitsrisiken durch das Einatmen von Staub beim Gebrauch des Geräts (z. B. bei Holzarbeiten, insbesondere Eiche, Buche und Pressspan).

Vibration

Die in den Abschnitten "Technische Daten" und "EG-Konformitätserklärung" angegebenen Werte für die Vibrationsemission wurden mit einer Standard-Prüfmethode nach EN 60745 ermittelt und können zum Vergleich verschiedener Geräte herangezogen werden. Außerdem kann mit Hilfe dieses Werts die Belastung bei Verwendung des Geräts schon im Voraus eingeschätzt werden.

Warnung! Die bei Verwendung des Geräts auftretende Vibrationsemission hängt von der Art des Gerätegebrauchs ab und kann dementsprechend von dem angegebenen Wert abweichen. Gegebenenfalls kann die Vibration über dem angegebenen Wert liegen.

Für die Ermittlung der Vibrationsbelastung müssen die tatsächlichen Einsatzbedingungen und Verwendungen des Geräts während des gesamten Arbeitsgangs berücksichtigt werden, einschließlich der Zeiten, wenn das Gerät nicht verwendet oder im Leerlauf betrieben wird. Diese Werte werden benötigt, um die gemäß 2002/44/EG erforderlichen Sicherheitsmaßnahmen zum Schutz von Personen festlegen zu können.

Zusätzliche Sicherheitshinweise für Akkus und Ladegeräte

Akkus

- ◆ Keinesfalls versuchen, den Akku zu öffnen.
- ◆ Achten Sie darauf, dass der Akku nicht mit Wasser in Berührung kommt.
- ◆ Nicht bei Temperaturen über 40 °C lagern.
- ◆ Laden Sie den Akku ausschließlich bei Umgebungstemperaturen zwischen 10 °C und 40 °C.
- ◆ Verwenden Sie ausschließlich das mitgelieferte Ladegerät.
- ◆ Bei der Entsorgung von Akkus oder Batterien die Hinweise im Abschnitt "Umweltschutz" beachten.



Versuchen Sie nie, beschädigte Akkus aufzuladen.

Ladegeräte

- ◆ Verwenden Sie das BLACK+DECKER Ladegerät nur für den Akku des Werkzeugs, mit dem es geliefert wurde. Andere Akkus können platzen und Sachschäden oder Verletzungen verursachen.
- ◆ Versuchen Sie keinesfalls, nicht aufladbare Batterien zu laden.
- ◆ Lassen Sie beschädigte Kabel sofort austauschen.
- ◆ Achten Sie darauf, dass das Ladegerät nicht mit Wasser in Berührung kommt.
- ◆ Versuchen Sie nicht, das Ladegerät zu öffnen.
- ◆ Nehmen Sie am Ladegerät keine Veränderungen vor.



Das Ladegerät darf nur im Innenbereich verwendet werden.



Vor Gebrauch die Anleitung lesen.

Etiketten am Werkzeug

Folgende Piktogramme sowie der Datumscode befinden sich auf dem Werkzeug:



Warnung! Lesen Sie vor Gebrauch die Anleitung. Andernfalls besteht Verletzungsgefahr.



Tragen Sie eine Staubmaske.

Elektrische Sicherheit



Dieses Gerät ist schutzisoliert, daher ist keine Erdleitung erforderlich. Überprüfen Sie immer, dass die Stromversorgung der Spannung auf dem Typenschild entspricht.

- ◆ Ist das Netzkabel beschädigt, muss es durch den Hersteller oder eine Stanley FatMax Vertragswerkstatt ausgetauscht werden, um eine mögliche Gefährdung zu vermeiden.

Merkmale

Dieses Gerät verfügt über einige oder alle der folgenden Merkmale:

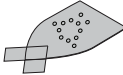
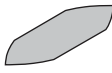
1. Ein-/Aus-Schalter
2. Staubfangkassette
3. Schleifplatte
4. Fingerschleifaufsatz
5. Akku

Zubehör

Welches Zubehörteil mit dem Schleifgerät geliefert wird, ist vom jeweils erworbenen Modell abhängig. Für diese Produktreihe sind alle folgenden Zubehörteile erhältlich. Wenn Sie ein Zubehörteil benötigen, das im Folgenden aufgeführt ist, jedoch nicht mit dem Schleifgerät geliefert wurde, finden Sie weitere Informationen auf unserer Website www.blackanddecker.eu.

Das verwendete Zubehör hat wesentlichen Einfluss auf die Leistung des Geräts. Zubehörteile von Stanley FatMax erfüllen höchste Qualitätsstandards und wurden speziell für die Verwendung mit Ihrem Gerät entwickelt. Bei Verwendung dieses Zubehörs erhalten Sie stets optimale Ergebnisse.

Artikel	Beschreibung
	Schleifgitter mit 240-er-Körnung Für eine feine Oberfläche beim Dreieckschliff (Teilenummer – X39132-XJ)
	Schleifgitter mit 120-er-Körnung Für eine mittlere Oberfläche beim Dreieckschliff (Teilenummer – X39127-XJ)
	Schleifgitter mit 80-er-Körnung Für eine grobe Oberfläche beim Dreieckschliff (Teilenummer – X39122-XJ)

Artikel	Beschreibung
	<p>Großes Dreieckschleifblatt mit 240-er-Körnung und zwei Ersatzspitzen Für eine feine Oberfläche beim Dreieckschliff (Teilenummer – X31019-XJ)</p> <p>Großes Dreieckschleifblatt mit 120-er-Körnung und zwei Ersatzspitzen Für eine mittlere Oberfläche beim Dreieckschliff (Teilenummer – X31009-XJ)</p> <p>Großes Dreieckschleifblatt mit 60-er-Körnung und zwei Ersatzspitzen Für eine grobe Oberfläche beim Dreieckschliff (Teilenummer – X31039-XJ)</p>
	<p>Fingerschleifblatt mit 120-er-Körnung Für eine mittlere Oberfläche beim Detailschliff (Teilenummer – X3277-XJ)</p>

Aufladen (Abb. A)

Stanley FatMax Ladegeräte sind zum Aufladen von Stanley FatMax Akkus vorgesehen.

- ◆ Setzen Sie das Ladegerät (5) in eine geeignete Steckdose ein, bevor Sie den Akku (4) einsetzen.
- ◆ Setzen Sie den Akku (4) wie in Abbildung A gezeigt in das Ladegerät (5) ein.
- ◆ Die LED (5a) blinkt, wenn der Akku geladen wird.
- ◆ Der Abschluss des Ladevorgangs wird dadurch angezeigt, dass die LED (5a) dauerhaft leuchtet.

Der Akku ist vollständig aufgeladen und kann jetzt verwendet oder in der Ladestation gelassen werden.

Hinweis: Laden Sie entladene Akkus so bald wie möglich nach dem Gebrauch wieder auf, da sonst die Batterielebensdauer stark verringert werden kann. Um die maximal Akkulaufzeit zu erreichen, sollte der Akku nicht vollständig entladen werden.

Es wird empfohlen, den Akku nach jedem Gebrauch aufzuladen.

Belassen des Akkus im Ladegerät

Sie können den Akku (4) auch im Ladegerät (5) belassen. In diesem Fall leuchtet die LED-Anzeige dauerhaft. Das Ladegerät hält den Akku in einem vollständig geladenen Zustand.

Wichtige Hinweise zum Aufladen

- ◆ Die längste Lebensdauer und beste Leistung wird erhalten, wenn der Akku bei einer Lufttemperatur zwischen 18° und 24°C aufgeladen wird. Laden Sie den Akku NICHT bei einer Umgebungstemperatur unter +4,5°C oder über +40,5°C auf. Dies ist wichtig und verhindert schwere Schäden am Akku.
- ◆ Das Ladegerät und der Akku können sich während des Ladevorgangs warm anfühlen. Dies ist ein normaler Zustand und weist nicht auf ein Problem hin.

Um das Abkühlen des Akkus nach dem Gebrauch zu erleichtern, platzieren Sie das Ladegerät und den Akku nicht in einer warmen Umgebung, wie beispielsweise in einem Metallschuppen oder einem nicht isolierten Wohnwagen.

- ◆ Wenn der Akku nicht richtig aufgeladen wird:
 - ◆ Prüfen Sie, ob die Steckdose unter Spannung steht, indem Sie eine Lampe oder ein anderes Gerät an die Steckdose anschließen.
 - ◆ Überprüfen Sie, ob die Steckdose mit einem Lichtschalter verbunden ist, der auch das Gerät ausschaltet, wenn das Licht ausgeschaltet wird.
 - ◆ Bringen Sie Ladegerät und Akku an einen Ort, wo die Umgebungstemperatur ca. 18°-24°C beträgt.
 - ◆ Wenn die Ladeprobleme bestehen bleiben, bringen Sie Werkzeug, Akku und Ladegerät zu Ihrer lokalen Vertragswerkstatt.
- ◆ Der Akku sollte aufgeladen werden, wenn das Gerät nicht mehr die volle Leistung bringt. Betreiben Sie das Werkzeug in diesem Fall NICHT WEITER. Befolgen Sie die Anweisungen bezüglich des Aufladens. Sie können auch jederzeit einen teilweise entleerten Akku aufladen, ohne dass dies nachteilige Auswirkungen auf den Akku hat.
- ◆ Leitfähige Fremdmaterialien, z.B. unter anderem Stahlwolle, Alufolie oder angesammelte Metallpartikel, sollten von Hohlräumen des Ladegeräts ferngehalten werden. Ziehen Sie den Netzstecker des Ladegerätes immer aus der Steckdose, wenn kein Akku in der Vertiefung steckt. Ziehen Sie den Netzstecker des Ladegerätes vor dem Reinigen aus der Steckdose.
- ◆ Gerät keinem Spritzwasser aussetzen oder in Wasser oder andere Flüssigkeiten tauchen.

Warnung! Keine Flüssigkeiten in das Ladegerät gelangen lassen. Keinesfalls versuchen, den Akku zu öffnen.

Wenn das Kunststoffgehäuse des Akkus Brüche oder Risse aufweist, bringen Sie es zum Recycling zu einer Vertragswerkstatt.

Ladegerät diagnose (Abb. B)

Die Anzeigen gemäß Abbildung B geben den Ladestatus des Akkus an.

Defekter Akku

Wenn ein Blinkmuster für einen defekten Akku zu sehen ist, laden Sie diesen Akku nicht weiter auf. Bringen Sie ihn zu einem Kundendienstzentrum oder einer Recycling-Sammelstelle.

Verzögerung heißer/kalter Akku

Wenn das Ladegerät erkennt, dass ein Akku zu heiß oder zu kalt ist, startet es automatisch eine „Verzögerung heißer/kalter Akku“, bis der Akku eine angemessene Temperatur erreicht hat. Das Ladegerät schaltet dann automatisch in den Lademodus. Diese Funktion gewährleistet eine maximale Lebensdauer des Akkus. Ein kalter Akku wird mit einer geringeren Geschwindigkeit geladen als ein warmer Akku. Der Akku wird während des gesamten Ladevorgangs mit der geringeren Geschwindigkeit geladen, die sich auch nicht erhöht, wenn der Akku wärmer wird.

Anbringen und Entfernen des Akkus

Anbringen des Akkus (Abb. C)

- ◆ Setzen Sie den Akku (4) in das Unterteil des Werkzeugs ein, bis ein Klicken zu hören ist (Abbildung C).
- ◆ Stellen Sie sicher, dass der Akku vollständig eingesetzt und eingerastet ist.

Entfernen des Akkus (Abb. D)

- ◆ Drücken Sie den Akku-Löseknopf (4a) wie in Abbildung D gezeigt und ziehen Sie den Akku (4) aus dem Unterteil des Werkzeugs.

Montage

Warnung! Vergewissern Sie sich vor der Montage, dass das Gerät ausgeschaltet ist und der Akku entfernt wurde.

Anbringen der Schleifgitter (Abb. E)

- ◆ Halten Sie das Gerät so, dass die Schleifplatte nach oben weist.
- ◆ Setzen Sie das Schleifgitter (6) auf die Schleifplatte auf. Achten Sie dabei darauf, dass die Löcher im Schleifgitter mit den Löchern in der Schleifplatte übereinstimmen.

Anbringen der Schleifblätter (Abb. F – optionales Zubehör)

- ◆ Trennen Sie die beiden zusätzlichen rautenförmigen Spitzen (8) vom Schleifblatt (7) ab.

Die rautenförmige Spitze (8) kann bei Verschleiß umgedreht oder ausgetauscht werden.

- ◆ Trennen Sie die Schleifspitze (8) vom Schleifblatt, wenn der Vorderteil der Schleifspitze verschlissen ist, drehen Sie sie um, und drücken Sie sie wieder an die Schleifplatte an.
- ◆ Ist die gesamte Spitze verschlissen, so nehmen Sie sie von der Schleifplatte ab, und bringen Sie eine neue Spitze an.

Verwenden Sie die richtige Schleifpapierart, um eine optimale Reinigungswirkung zu erzielen.

Ersetzen der rautenförmigen Spitze (Abb. G)

- ◆ Ersetzen Sie die rautenförmige Spitze (9).
- ◆ Bringen Sie die Schraube (10) wieder an und ziehen Sie diese fest.

Anbringen und Entfernen der Staubfangkassette (Abb. H)

- ◆ Schieben Sie die Staubfangkassette (2) auf das Verbindungsstück (2a), und prüfen Sie, ob sie sicher befestigt ist.
- ◆ Ziehen Sie die Staubfangkassette zum Entfernen zurück und dann vom hinteren Ende des Werkzeugs ab.

Verwendung

Warnung! Beschleunigen Sie den Arbeitsvorgang nicht mit Gewalt. Vermeiden Sie eine Überlastung.

Ein- und Ausschalten

- ◆ Drücken Sie den Ein-/Ausschalter (1) nach vorne in Stellung I, um das Gerät einzuschalten.
- ◆ Drücken Sie den Ein-/Ausschalter (1) nach hinten in Stellung O, um das Gerät auszuschalten.

Wartung

Ihr Gerät wurde im Hinblick auf eine lange Lebensdauer und einen möglichst geringen Wartungsaufwand entwickelt. Ein kontinuierlicher, zufriedenstellender Betrieb hängt von der richtigen Pflege des Gerätes und seiner regelmäßigen Reinigung ab.

Warnung! Schalten Sie das Gerät vor der Durchführung von Pflege-, Reinigungs- und Wartungsarbeiten aus und entfernen Sie den Akku.

- ◆ Reinigen Sie regelmäßig die Lüftungsschlitze des Geräts mit Hilfe einer weichen Bürste oder eines trockenen Tuchs.
- ◆ Reinigen Sie das Motorgehäuse regelmäßig mit einem feuchten Tuch. Verwenden Sie keine scheuernden Reinigungsmittel oder Lösungsmittel auf Lösungsmittelbasis.

Umweltschutz



Getrennte Entsorgung. Produkte und Akkus mit diesem Symbol dürfen nicht mit dem normalen Hausmüll entsorgt werden.

Produkte und Akkus enthalten Materialien, die wiederverwertet werden können, um den Bedarf an Rohstoffen zu verringern. Bitte recyceln Sie elektrische Produkte und Akkus gemäß den örtlichen Bestimmungen. Weitere Informationen finden Sie auf www.2helpU.com

Technische Daten

		FMCW210
Eingangsspannung	V_{DC}	18
Schwingungen (lastfrei)	min^{-1}	12000
Umläufe (lastfrei)	min^{-1}	12000
Bandabmessungen	mm^2	8866
Gewicht	kg	0,88

		FMC687L
Spannung	V_{DC}	18
Kapazität	Ah	2,0
Typ		1
		90608625
Eingangsspannung	V_{AC}	230
Ausgangsspannung	V_{DC}	18
Stromstärke	mA	2000

L_{PA} (Schalldruck) 68 dB(A), Unsicherheitsfaktor (K) 3 dB(A)
L_{WA} (Schalleistung) 79 dB(A), Unsicherheitsfaktor (K) 3 dB(A)
Gesamtvibration (Triax-Vektorsumme) gemäß EN 60745:
Vibrationsemissionswert (Hauptgriff) (a_h) 5,9 m/s^2 , Unsicherheitsfaktor (K) 1,5 m/s^2
Vibrationsemissionswert (Zusatzgriff) (a_s) 7,3 m/s^2 , Unsicherheitsfaktor (K) 1,5 m/s^2

EU-Konformitätserklärung
 MASCHINENRICHTLINIE


FMCW210 - Schleifgerät

Stanley Europe erklärt, dass diese unter „Technische Daten“ beschriebenen Geräte übereinstimmen mit:
 2006/42/EC, EN60745-1:2009+A11:2010, EN60745-2-4:2009+A11:2011

Diese Produkte entsprechen außerdem den Richtlinien 2014/30/EU und 2011/65/EU. Weitere Informationen erhalten Sie von Stanley FatMax unter der folgenden Adresse. Diese befindet sich auch auf der Rückseite dieser Anleitung.

Der Unterzeichnete ist verantwortlich für die Zusammenstellung der technischen Daten und gibt diese Erklärung im Namen von Black & Decker ab.

R. Laverick
 Director of Engineering Stanley Europe,
 Egide Walschaertsstraat 14-18
 2800 Mechelen Belgien
 17.08.2017

Garantie

Stanley FatMax vertraut auf die Qualität der eigenen Geräte und bietet dem Käufer eine außergewöhnliche Garantie von 12 Monaten ab Kaufdatum. Diese Garantie versteht sich unbeschadet der gesetzlichen Gewährleistungsansprüche und schränkt diese keinesfalls ein. Diese Garantie gilt innerhalb der Staatsgebiete der Mitgliedstaaten der Europäischen Union und der Europäischen Freihandelszone.

Zur Inanspruchnahme dieser Garantie muss sie den allgemeinen Geschäftsbedingungen von Stanley FatMax entsprechen und dem Verkäufer bzw. der Vertragswerkstatt ist ein Kaufnachweis vorzulegen.

Die Bedingungen für die 1-jährige Garantie von Stanley FatMax und den Standort Ihrer nächstgelegenen Vertragswerkstatt finden Sie im Internet unter www.2helpU.com oder indem Sie sich an die lokale Stanley FatMax-Niederlassung wenden, deren Adresse Sie in dieser Anleitung finden. Ihr neues Stanley FatMax-Produkt können Sie auf unserer Website unter www.stanley.eu/3 registrieren. Dort erhalten Sie auch Informationen über neue Produkte und Sonderangebote.

Utilisation prévue

Votre ponceuse Stanley Fat Max FMCW210 a été spécialement conçue pour poncer le bois, le métal, le plastique et les surfaces peintes. Cet appareil est prévu pour les utilisateurs professionnels et non professionnels.

Consignes de sécurité

Avertissements de sécurité générale liés aux outils électriques



Avertissement ! Lisez tous les avertissements de sécurité et toutes les instructions. Le non-respect des avertissements et des instructions listés ci-dessous peut entraîner des chocs électriques, des incendies et/ou de graves blessures.

Conservez tous les avertissements et toutes les instructions afin de pouvoir vous y référer dans le futur. Le terme "outil électrique" mentionné dans tous les avertissements listés ci-dessous fait référence à vos outils électriques branchés sur secteur (avec câble) ou fonctionnant sur pile ou batterie (sans fil).

1. Sécurité de la zone de travail

- a. **Maintenez la zone de travail propre et bien éclairée.** Les zones sombres ou encombrées sont propices aux accidents.
- b. **N'utilisez pas d'outils électriques dans un environnement présentant des risques d'explosion ou en présence de liquides, gaz ou poussières inflammables.** Les outils électriques créent des étincelles qui peuvent enflammer les poussières et les fumées.
- c. **Maintenez les enfants et autres personnes éloignés lorsque les outils électriques sont en marche.** Toute distraction peut vous faire perdre le contrôle de l'outil.

2. Sécurité électrique

- a. **Les prises des outils électriques doivent correspondre à la prise de courant murale. Ne modifiez jamais la prise d'aucune sorte. N'utilisez aucun adaptateur avec des outils électriques reliés à la terre.** L'utilisation de prises d'origine et de prises murales appropriées permet de réduire le risque de choc électrique.
- b. **Évitez tout contact physique avec des surfaces reliées à la terre comme des tuyaux, des radiateurs, des fours et des réfrigérateurs par exemple.** Le risque de choc électrique augmente lorsque votre corps est relié à la terre.
- c. **N'exposez pas les outils électriques à la pluie, ni à l'humidité.** Le risque de choc électrique augmente si de l'eau pénètre dans un outil électrique.

- d. **Ne tirez pas sur le cordon d'alimentation. N'utilisez jamais le cordon pour transporter, tirer ou débrancher l'outil électrique. Maintenez le cordon éloigné de la chaleur, de substances grasses, de bords tranchants ou de pièces mobiles.** Les cordons endommagés ou emmêlés augmentent le risque de choc électrique.
- e. **Si vous utilisez un outil électrique à l'extérieur, utilisez une rallonge homologuée pour les travaux extérieurs.** L'utilisation d'une rallonge électrique homologuée pour les travaux en extérieur réduit le risque de choc électrique.
- f. **Si l'utilisation d'un outil électrique dans un endroit humide est inévitable, utilisez une alimentation électrique protégée par un disjoncteur différentiel à courant résiduel.** L'utilisation d'un disjoncteur différentiel réduit le risque de choc électrique.

3. Sécurité des personnes

- a. **Restez vigilant, surveillez ce que vous faites et faites preuve de bon sens lorsque vous utilisez un outil électrique. N'utilisez pas d'outils électriques si vous êtes fatigué ou sous l'influence de drogue, d'alcool ou de médicaments.** Tout moment d'inattention pendant l'utilisation d'un outil électrique peut engendrer de graves blessures.
- b. **Portez des équipements de protection individuelle. Portez toujours une protection oculaire.** Les équipements de protection comme les masques à poussière, les chaussures de sécurité antidérapantes, les casques ou les protections auditives, utilisés à bon escient, réduisent le risque de blessures.
- c. **Empêchez tout démarrage intempestif. Assurez-vous que l'interrupteur est en position Arrêt avant de raccorder l'outil à l'alimentation électrique et/ou au bloc-batterie ou avant de ramasser ou de transporter l'outil.** Le fait de transporter les outils électriques le doigt sur l'interrupteur ou d'alimenter les outils électriques dont l'interrupteur est déjà en position de marche augmente les accidents.
- d. **Retirez toutes les clés ou pinces de réglage avant de mettre l'outil en marche.** Une clé ou une pince restée fixée sur une pièce rotative de l'outil électrique peut engendrer des blessures.
- e. **Ne présumez pas de vos forces. Gardez les pieds bien ancrés au sol et conservez votre équilibre en permanence.** Cela permet de mieux maîtriser l'outil électrique en cas de situations imprévues.
- f. **Portez des vêtements appropriés. Ne portez aucun vêtement ample ou bijou. Gardez vos cheveux, vos vêtements et vos gants éloignés des pièces mobiles.** Les vêtements amples, les bijoux ou les cheveux longs peuvent être happés par les pièces mobiles.

- g. Si des dispositifs pour le raccordement d'un extracteur de poussières ou des installations pour la récupération sont présents, assurez-vous qu'ils sont correctement raccordés et utilisés.** L'utilisation de dispositifs récupérateurs de poussières réduit les risques liés aux poussières.
- 4. Utilisation et entretien des outils électriques**
- a. Respectez la capacité de l'outil. Utilisez l'outil approprié en fonction du travail à réaliser.** Un outil adapté fonctionne mieux, de façon plus sûre et à la cadence pour laquelle il a été conçu.
- b. N'utilisez pas l'outil électrique si son interrupteur ne permet pas de l'allumer ou de l'éteindre.** Tout outil électrique qui ne peut plus être commandé par son interrupteur est dangereux et doit être réparé.
- c. Débranchez la prise du secteur et/ou le bloc-batterie de l'outil électrique avant d'effectuer tout réglage, de changer un accessoire ou de ranger l'outil électrique.** Ces mesures de sécurité préventives réduisent le risque de démarrage accidentel de l'outil électrique.
- d. Rangez les outils électriques non utilisés hors de portée des enfants et ne laissez aucune personne ne connaissant pas ces outils ou leurs instructions d'utilisation les faire fonctionner.** Les outils électriques peuvent être dangereux entre des mains inexpérimentées.
- e. Entretenez vos outils électriques. Vérifiez que les pièces mobiles sont alignées correctement et qu'elles ne sont pas coincées. Vérifiez qu'aucune pièce n'est cassée et contrôlez l'absence de toute autre condition qui pourrait nuire au bon fonctionnement de l'outil. En cas de dommage, faites réparer l'outil électrique avant de l'utiliser.** De nombreux accidents sont provoqués par des outils électriques mal entretenus.
- f. Maintenez les organes de coupe affûtés et propres.** Des organes de coupe bien entretenus et affûtés sont moins susceptibles de rester coincés et sont plus faciles à contrôler.
- g. Utilisez les outils électriques, les accessoires et les embouts d'outil conformément à ces instructions, en tenant compte des conditions de travail, ainsi que du travail à effectuer.** L'utilisation d'un outil électrique à des fins autres que celles pour lesquelles il a été prévu engendre des situations dangereuses.
- 5. Utilisation et entretien de la batterie de l'outil**
- a. N'effectuez la recharge qu'à l'aide du chargeur spécifié par le fabricant.**

Un chargeur adapté pour un type de bloc-batterie peut engendrer un risque d'incendie s'il est utilisé avec un bloc-batterie différent.

- b. N'utilisez les outils électriques qu'avec les blocs-batteries qui leurs sont dédiés.**

L'utilisation d'un autre bloc-batterie peut engendrer des blessures et un incendie.

- c. Lorsque le bloc-batterie n'est pas utilisé, gardez-le à l'écart des objets métalliques tels que trombones, pièces de monnaie, clés, clous, vis ou autres petits objets susceptibles de créer un contact entre les deux bornes.** La mise en court-circuit des bornes d'une batterie peut provoquer des brûlures ou un incendie.
- d. En cas d'utilisation abusive, du liquide peut être éjecté de la batterie. Évitez tout contact avec ce liquide. En cas de contact accidentel, rincez à l'eau. En cas de contact avec les yeux, consultez un médecin.** Le liquide projeté de la batterie peut provoquer des irritations ou des brûlures.
- 6. Réparation**
- a. Faites réparer votre outil électrique par une personne qualifiée, n'utilisant que des pièces de rechange d'origine.** Cela permet de garantir la sûreté de l'outil électrique.

Consignes de sécurité supplémentaires liées aux outils électriques



Avertissement ! Instructions de sécurité supplémentaires concernant les ponceuses



Avertissement ! Tout contact ou inhalation de poussières pendant le ponçage peut présenter un danger pour la santé de l'opérateur et des personnes éventuellement présentes à proximité. Portez un masque anti-poussières spécialement conçu pour vous protéger des poussières et des fumées et veillez à ce que les personnes se trouvant à l'intérieur de la zone de travail ou y pénétrant soient également protégées.

- ◆ **Tenez l'outil électrique par ses surfaces de préhension isolées lorsque vous l'utilisez dans des endroits où l'accessoire de ponçage peut entrer en contact avec des fils cachés.** Tout contact de l'accessoire avec un fil sous tension peut mettre les parties métalliques exposées de l'outil sous tension et provoquer un choc électrique à l'utilisateur.
- ◆ **Utilisez des pinces ou tout autre moyen pratique pour fixer et soutenir l'ouvrage sur une plateforme stable.** Tenir l'ouvrage à la main ou contre votre corps le rend instable et peut conduire à une perte de contrôle.



Avertissement ! Faire particulièrement attention lors du ponçage de certains bois (par ex. hêtre, chêne) et métaux qui peuvent produire de la poussière toxique. Porter un masque à poussière spécialement conçu pour la protection contre les poussières et fumées toxiques et s'assurer que les personnes dans la zone de travail ou y pénétrant sont également protégées.



Avertissement ! Pour poncer des métaux ferreux, utilisez l'outil dans un endroit bien aéré. N'utilisez pas l'outil à proximité de liquides, de gaz ou de poussières inflammables. Les étincelles et les particules chaudes provenant des balais de moteur pendant le ponçage ou la formation d'un arc peuvent enflammer les matériaux combustibles.



Avertissement ! Ne poncez pas du magnésium ! Cela risquerait de provoquer un incendie ou une explosion.

- ◆ Enlevez soigneusement toute poussière après le ponçage.
- ◆ L'usage prévu est décrit dans ce manuel d'instructions. L'utilisation d'un accessoire ou d'une fraise non spécifié ou l'utilisation de cet outil à d'autres fins que celles recommandées dans ce manuel d'utilisation présentent un risque de blessures et/ou de dommages matériels.

Sécurité pendant le ponçage de peinture



Avertissement ! Respectez les réglementations applicables lorsque vous poncez de la peinture. Accordez une attention particulière aux points suivants :

- ◆ Dans la mesure du possible, utilisez un aspirateur pour collecter les poussières.
- ◆ Soyez particulièrement vigilant lorsque vous poncez de la peinture susceptible de contenir du plomb qui pourrait produire des poussières toxiques :
 - ◆ Ne laissez pas les enfants ou les femmes enceintes entrer dans la zone de travail.
 - ◆ Toutes les personnes qui pénètrent dans la zone de travail doivent porter un masque spécialement conçu pour assurer une protection contre les poussières et fumées de peinture contenant du plomb.
 - ◆ Ne mangez pas, ne buvez pas et ne fumez pas dans la zone de travail.
- ◆ Débarrassez-vous de toutes les particules de poussière et autres débris de façon sûre.

Sécurité des personnes

- ◆ L'utilisation de cet appareil n'est pas prévue pour les personnes (y compris les enfants) ayant des capacités physiques, sensorielles ou mentales limitées, ou qui manquent d'expérience et de connaissances, sauf si ces personnes sont surveillées ou instruites sur l'utilisation de l'appareil par une personne responsable de leur sécurité.
- ◆ Les enfants doivent être surveillés pour garantir qu'ils ne jouent pas avec l'appareil.

Risques résiduels.

Certains risques résiduels autres que ceux mentionnés dans les avertissements sur la sécurité peuvent survenir en utilisant l'outil. Ces risques peuvent être provoqués par une utilisation incorrecte, prolongée, etc.

Malgré l'application des normes de sécurité pertinentes et la mise en œuvre de dispositifs de sécurité, certains risques résiduels ne peuvent pas être évités. Ils comprennent :

- ◆ Les blessures dues au contact avec des pièces mobiles/ en rotation.
- ◆ Les blessures dues au changement de pièces, de lame ou d'accessoires.
- ◆ Les blessures dues à l'utilisation prolongée d'un outil. Lorsque vous utilisez un outil quel qu'il soit pendant de longues périodes, assurez-vous de faire des pauses régulières.
- ◆ Troubles de l'ouïe.
- ◆ Risques pour la santé dus à l'inhalation de poussières produites pendant l'utilisation de l'outil (exemple : travail avec du bois, surtout le chêne, le hêtre et les panneaux en MDF).

Vibrations

La valeur des émissions de vibrations déclarée dans les caractéristiques techniques et la déclaration de conformité a été mesurée conformément à la méthode de test standard de la norme EN 60745 et peut être utilisée pour comparer un outil à un autre. La valeur des émissions de vibrations déclarée peut aussi être utilisée pour une évaluation préliminaire à l'exposition.

Avertissement ! En fonction de la manière dont l'outil est utilisé, la valeur des émissions de vibrations réelles pendant l'utilisation de l'outil peut différer de la valeur déclarée. Le niveau des vibrations peut dépasser le niveau déclaré. Quand l'exposition aux vibrations est évaluée afin de déterminer les mesures de sécurité requises par la norme 2002/44/CE pour protéger les personnes utilisant régulièrement des outils électriques, cette estimation doit tenir compte des conditions réelles d'utilisation et de la façon dont l'outil est utilisé.

Il faut également tenir compte de toutes les composantes du cycle de fonctionnement comme la durée pendant laquelle l'outil est arrêté et quand il fonctionne au ralenti, ainsi que la durée du déclenchement.

Consignes de sécurité supplémentaires relatives aux batteries et aux chargeurs

- ◆ Ne tentez de les ouvrir sous aucun prétexte.
- ◆ N'exposez pas la batterie à l'eau.
- ◆ Ne la rangez pas dans des endroits où la température peut dépasser 40 °C.
- ◆ Ne procédez à la charge qu'à une température ambiante comprise entre 10 °C et 40 °C.
- ◆ N'utilisez que le chargeur fourni avec l'outil.
- ◆ Pour la mise au rebut des batteries, respectez les instructions mentionnées à la section "Protection de l'environnement".



N'essayez pas de recharger des batteries endommagées.

Chargeurs

- ◆ N'utilisez votre chargeur BLACK+DECKER que pour recharger la batterie fournie avec l'outil. D'autres batteries pourraient exploser et provoquer des blessures et des dommages.
- ◆ Ne tentez jamais de recharger des piles non rechargeables.
- ◆ Faites immédiatement remplacer les cordons endommagés.
- ◆ N'exposez pas le chargeur à l'eau.
- ◆ N'ouvrez pas le chargeur.
- ◆ Ne sondez pas le chargeur.



Le chargeur est conçu pour être exclusivement utilisé à l'intérieur.



Lisez le manuel d'utilisation avant de l'utiliser.

Étiquettes sur l'outil

Les pictogrammes suivants ainsi que le code date sont apposés sur l'outil :



Avertissement ! Afin de réduire le risque de blessures, l'utilisateur doit lire le manuel d'utilisation.



Portez un masque anti-poussière.

Sécurité électrique



Cet outil est doublement isolé et ne nécessite donc aucun fil de liaison à la terre. Assurez-vous toujours que l'alimentation électrique correspond à la tension mentionnée sur la plaque signalétique.

- ◆ Si le câble d'alimentation est endommagé, il doit être remplacé par le fabricant ou par un centre d'assistance agréé Stanley Fat Max afin d'éviter les risques éventuels.

Caractéristiques

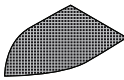
Cet outil dispose de tout ou partie des éléments suivants.

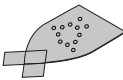
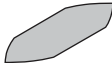
1. Interrupteur Marche/Arrêt
2. Casette de récupération des poussières
3. Semelle de ponçage
4. Accessoire de précision
5. Batterie

Accessoires

Les accessoires fournis avec votre ponceuse varient en fonction du modèle acheté. Tous les accessoires listés ci-dessous sont disponibles dans notre gamme. Si vous avez besoin d'un accessoire mentionné dans la liste ci-dessous mais qui n'est pas fourni avec votre ponceuse, consultez notre site Web à l'adresse www.blackanddecker.eu.

Les performances de votre outil dépendent de l'accessoire utilisé. Les accessoires Stanley Fat Max répondent à des normes de qualité supérieures et ils sont conçus pour augmenter le niveau de performance de votre outil. L'utilisation de ces accessoires vous permet de tirer le meilleur de votre outil.

Pièce	Description
	Toile de ponçage grain 240. Pour la finition délicate de grandes zones précises. (Numéro de pièce - X39132-XJ)
	Toile de ponçage grain 120. Pour la finition intermédiaire de grandes zones précises. (Numéro de pièce - X39127-XJ)
	Toile de ponçage grain 80. Pour la finition grossière de grandes zones précises. (Numéro de pièce - X39122-XJ)

Pièce	Description
	<p>Feuille abrasive, grain 240, avec deux points pour le remplacement - ponçage de précision de grandes zones. Pour la finition délicate de grandes zones précises. (Numéro de pièce - X31019-XJ)</p> <p>Feuille abrasive, grain 120, avec deux points pour le remplacement - ponçage de précision de grandes zones. Pour la finition intermédiaire de grandes zones précises. (Numéro de pièce - X31009-XJ)</p> <p>Feuille abrasive, grain 60, avec deux points pour le remplacement - ponçage de précision de grandes zones. Pour la finition grossière de grandes zones précises. (Numéro de pièce - X31039-XJ)</p>
	<p>Feuille de ponçage de précision, grain 120. Pour la finition intermédiaire de ponçage de précision. (Numéro de pièce - X3277-XJ)</p>

Procédure de charge (Fig. A)

Les chargeurs Stanley Fat Max sont conçus pour recharger les blocs-batteries Stanley Fat Max.

- ◆ Branchez le chargeur (5) dans une prise appropriée avant d'insérer le bloc-batterie (4).
- ◆ Insérez le bloc-batterie (4) dans le chargeur (5) comme illustré par la figure A.
- ◆ Le voyant (5a) clignote pour indiquer que la batterie est en charge.
- ◆ La fin de la charge est indiquée par le voyant (5a) restant fixe en continu.

Le bloc est alors complètement rechargé et il peut soit être utilisé, soit être laissé dans le chargeur.

Remarque : Rechargez les batteries déchargées dès que possible après utilisation pour ne pas grandement diminuer leur durée de vie. Pour augmenter la durée de vie de la batterie, ne la laissez pas se décharger complètement. Il est recommandé de recharger les batteries après chaque utilisation.

Laisser la batterie dans le chargeur

Le chargeur (5) et le bloc-batterie (4) peuvent rester raccordés avec le voyant allumé en continu.

Le chargeur maintient le bloc-batterie complètement chargé.

Remarques importantes sur la charge

- ◆ Une durée de vie plus longue et de meilleures performances peuvent être obtenues si le bloc-batterie est rechargé lorsque la température de l'air est comprise entre 18° - 24°C (65°F et 75°F). NE rechargez PAS le bloc-batterie à une température ambiante inférieure à +4,5°C (+40°F) ou supérieure à +40,5°C (+105°F). Ce point est important et il évite l'endommagement grave du bloc-batterie.
- ◆ Le chargeur et le bloc-batterie peuvent devenir chauds au toucher pendant la charge. Ceci est normal et n'indique pas un problème. Afin de faciliter le refroidissement du bloc-batterie après utilisation, évitez de placer le chargeur ou le bloc-batterie dans un environnement chaud comme une remise métallique ou une remorque non isolée.
- ◆ Si le bloc-batterie ne se recharge pas correctement :
 - ◆ Vérifiez le courant en branchant une lampe ou un autre appareil dans la prise murale.
 - ◆ Vérifiez que la prise de courant n'est pas reliée à un interrupteur coupant l'alimentation lorsqu'on éteint l'éclairage.
 - ◆ Déplacez le chargeur et le bloc-batterie dans un endroit où la température ambiante est comprise entre 18°C et 24°C (65°F - 75°F).
 - ◆ Si les problèmes de charge persistent, apportez l'outil, le bloc-batterie et le chargeur à votre centre d'assistance local.
- ◆ Le bloc-batterie doit être rechargé lorsqu'il ne parvient plus à fournir la puissance nécessaire aux opérations qui étaient facilement réalisées auparavant. Cessez D'UTILISER l'outil dans ces conditions. Respectez la procédure de charge. Vous pouvez également charger un bloc déjà utilisé si vous le souhaitez, sans que cela n'affecte le bloc-batterie.
- ◆ Les corps étrangers de nature conductrice tels que, notamment, la laine d'acier, le papier aluminium ou toute accumulation de particules métalliques, doivent être tenus éloignés des cavités du chargeur. Débranchez toujours le chargeur de la prise lorsqu'il n'y a pas de pack batterie dans la cavité. Débranchez le chargeur avant de le nettoyer.
- ◆ Ne congelez pas le chargeur et ne l'immergez pas dans l'eau ou dans tout autre liquide.

Avertissement ! Ne laissez aucun liquide pénétrer dans le chargeur. Ne tentez jamais d'ouvrir le bloc-batterie pour quelque raison que ce soit.

Si le corps en plastique du bloc-batterie se casse ou se fissure, retournez-le à un centre d'assistance pour qu'il y soit recyclé.

Diagnostics du chargeur (Fig. B)

Consultez les voyants de la figure B pour connaître l'état de charge du bloc batterie.

Batterie défectueuse

Si le motif de clignotement indique que la batterie est défectueuse, arrêtez la charge de la batterie. Renvoyez-la dans un centre d'assistance ou un site de collecte pour recyclage.

Délai Bloc chaud/froid

Lorsque le chargeur détecte que le bloc-batterie est trop chaud ou trop froid, il démarre automatiquement un délai Bloc Chaud/Froid, suspendant la charge jusqu'à ce que le bloc-batterie ait atteint la température adéquate. Le chargeur passe ensuite automatiquement en mode Charge. Cette fonctionnalité assure une durée de vie maximale de la batterie. Un bloc-batterie froid se recharge à une cadence moins rapide qu'un bloc-batterie chaud. Le bloc-batterie se recharge à cette cadence plus lente durant tout le cycle de charge et n'atteint pas la charge maximale même si le bloc se réchauffe.

Installation et retrait du bloc-batterie dans l'outil

Pour installer le bloc-batterie (Fig. C)

- ◆ Insérez la batterie (4) dans le pied de l'outil jusqu'à entendre un clic (Figure C)
- ◆ Assurez-vous que le bloc-batterie est bien en place et correctement verrouillé.

Pour retirer le bloc-batterie (Fig. D)

- ◆ Enfoncez le bouton de libération de la batterie (4a) comme illustré par la figure D et tirez sur le bloc-batterie (4) pour le sortir du pied de l'outil.

Assemblage

Avertissement ! Avant l'assemblage, assurez-vous que l'outil est éteint et que la batterie est retirée.

Installation d'une toile de ponçage (Fig. E)

- ◆ Tenez l'outil avec la semelle de ponçage vers le haut.
- ◆ Placez la toile de ponçage (6) sur la semelle de ponçage, en vous assurant que les trous de la feuille sont alignés avec ceux de la semelle.

Installation de feuilles de ponçage (Fig. F - Accessoire en option)

- ◆ Retirez les deux pointes supplémentaires en forme de diamant (8) de la feuille de ponçage (7).

La pointe en forme de diamant (8) peut être retournée et réinstallée quand elle est usée.

- ◆ Lorsque l'avant de la pointe (8) est usé, retirez-la de la feuille, retournez-la et repositionnez-la sur la semelle de ponçage.
- ◆ Lorsque la pointe est entièrement usée, retirez-la de la semelle de ponçage et réinstallez-en une neuve.

Pour optimiser la récupération des poussières, veuillez à utiliser le bon type de papier à poncer.

Remplacement de la pointe en forme de diamant (Fig. G)

- ◆ Remplacez la pointe en forme de diamant (9).
- ◆ Réinstallez et serrez la vis (10).

Installation et retrait de la cassette à poussière (Fig. H)

- ◆ Glissez la cassette à poussière (2) dans le raccord (2a) et assurez-vous qu'elle est fermement maintenue en place.
- ◆ Pour retirer la cassette à poussière, tirez-la vers l'arrière et hors de l'extrémité de l'outil.

Utilisation

Avertissement ! Laissez l'outil fonctionner à son propre rythme. Ne le poussez pas au-delà de sa capacité.

Allumage et extinction

- ◆ Pour allumer l'outil, enfoncez l'interrupteur marche/arrêt (1) vers l'avant sur la position I.
- ◆ Pour éteindre l'outil, enfoncez l'interrupteur marche/arrêt (1) vers l'arrière sur la position O.

Maintenance

Votre outil a été conçu pour fonctionner pendant longtemps avec un minimum d'entretien. Le fonctionnement continu et satisfaisant de l'appareil dépend de son bon entretien et de son nettoyage régulier.

Avertissement ! Avant toute opération de maintenance, éteignez et débranchez l'outil ou retirez le bloc-batterie.

- ◆ Nettoyez régulièrement les orifices d'aération de votre outil à l'aide d'une brosse souple ou d'un chiffon sec.
- ◆ Nettoyez régulièrement le carter moteur à l'aide d'un chiffon humide. N'utilisez pas de détergents abrasifs ou à base de solvants.

Protection de l'environnement



Tri sélectif. Les produits et batteries marqués de ce symbole ne doivent pas être jetés avec les déchets ménagers.

Les produits et batteries contiennent des matières qui peuvent être récupérées et recyclées afin de réduire la demande en matières premières.

Veuillez à recycler les produits électriques et les piles et batteries conformément aux dispositions locales en vigueur. Pour plus d'informations, consultez le site www.2helpU.com

Caractéristiques techniques

		FMCW210
Tension d'entrée	V_{CC}	18
Oscillations (sans charge)	min^{-1}	12000
Orbites (sans charge)	min^{-1}	12000
Surface de la semelle de ponçage	mm^2	8866
Poids	kg	0,88

		FMC687L
Tension	V_{CC}	18
Capacité	Ah	2,0
Type		1
Chargeur		90608625
Tension d'entrée	V_{CA}	230
Tension de sortie	V_{CC}	18
Courant	mA	2000

L_{PA} (pression sonore) 68 dB(A), Incertitude (K) 3 dB(A)
L_{WA} (puissance sonore) 79 dB(A), Incertitude (K) 3 dB(A)
Valeurs totales des vibrations (somme vectorielle triaxiale) selon la norme EN 60745 :
Valeur des émissions de vibrations (poignée principale) (a_{H1}) 5,9 m/s^2 , incertitude (K) 1,5 m/s^2
Valeur de l'émission de vibrations (poignée auxiliaire) (a_{H2}) 7,3 m/s^2 , incertitude (K) 1,5 m/s^2

Déclaration de conformité CE

DIRECTIVES MACHINES



Ponceuse - FMCW210

Stanley Europe déclare que les produits décrits dans les «Caractéristiques techniques» sont conformes aux normes : 2006/42/CE, EN60745-1:2009+A11:2010, EN60745-2-4:2009+A11:2011

Ces produits sont également conformes aux Directives 2014/30/UE et 2011/65/UE. Pour plus de détails, veuillez contacter Stanley Fat Max à l'adresse suivante ou reportez-vous au dos du manuel.

Le soussigné est responsable de la compilation des données de la fiche technique et fait cette déclaration au nom de Black & Decker.

R. Laverick
 Directeur Ingénierie Stanley Europe,
 Egide Walschaertsstraat14-18,
 2800 Mechelen, Belgique
 17/08/2017

Garantie

Stanley Fat Max est sûr de la qualité de ses produits et offre une garantie de 12 mois à ses clients, à partir de la date d'achat. Cette garantie s'ajoute à vos droits légaux auxquels elle ne porte aucunement préjudice. Cette garantie est valable au sein des territoires des États membres de l'Union Européenne et au sein de la Zone européenne de libre-échange. Pour prétendre à la garantie, la réclamation doit être en conformité avec les conditions générales de Stanley Fat Max et vous devez fournir une preuve d'achat au vendeur ou au réparateur agréé.

Les conditions générales de la garantie de 1 an Stanley Fat Max ainsi que l'adresse du réparateur agréé le plus proche sont disponibles sur le site Internet www.2helpU.com ou en contactant votre agence Stanley Fat Max locale à l'adresse indiquée dans ce manuel.

Veuillez consulter notre site Internet www.stanley.eu/3 pour enregistrer votre nouveau produit Stanley Fat Max et pour être tenu informé des nouveaux produits et offres spéciales.

Uso previsto

La levigatrice Stanley Fat Max FMCW210 è stata progettata per levigare superfici in legno, metallo, plastica e verniciate. Questo apparecchio è concepito per uso professionale e privato e per utenti non professionisti.

Istruzioni di sicurezza

Avvertenze di sicurezza generali per gli elettrotensili



Avvertenza! Leggere attentamente tutte le avvertenze e le istruzioni di sicurezza. La mancata osservanza delle avvertenze e istruzioni elencate di seguito potrebbe dar luogo a scosse elettriche, incendi e/o infortuni gravi.

Conservare tutte le avvertenze e le istruzioni per consultazioni successive. Il termine "elettrotensile" che ricorre in tutte le avvertenze seguenti si riferisce a utensili elettrici alimentati attraverso la rete elettrica (con filo) o a batteria (senza filo).

1. Sicurezza nell'area di lavoro

- a. **Mantenere pulita e bene illuminata l'area di lavoro.** Gli ambienti disordinati o scarsamente illuminati favoriscono gli incidenti.
- b. **Evitare di usare gli elettrotensili in ambienti esposti a rischio di esplosione, ad esempio in presenza di liquidi, gas o polveri infiammabili.** Gli elettrotensili generano scintille che possono incendiare le polveri o i fumi.
- c. **Tenere lontani bambini e altre persone presenti mentre si usa un elettrotensile.** Eventuali distrazioni possono provocare la perdita di controllo.

2. Sicurezza elettrica

- a. **Le spine elettriche degli elettrotensili devono essere adatte alla presa. Non modificare la spina in alcun modo. Non utilizzare spine con adattatore con gli elettrotensili dotati di messa a terra.** Per ridurre il rischio di scossa elettrica evitare di modificare le spine e utilizzare sempre le prese di corrente appropriate.
- b. **Evitare il contatto fisico con superfici collegate a terra, come tubi, radiatori, forni e frigoriferi.** Se il proprio corpo è collegato a terra, il rischio di scossa elettrica aumenta.
- c. **Non esporre gli elettrotensili alla pioggia o all'umidità.** Se entra dell'acqua all'interno dell'elettrotensile, il rischio di scosse elettriche aumenta.
- d. **Non utilizzare il cavo di alimentazione in modo improprio. Non spostare, tirare o scollegare mai l'elettrotensile tirandolo dal cavo.**

Tenere il cavo di alimentazione lontano da fonti di calore, olio, bordi taglienti o parti in movimento. Se il cavo di alimentazione è danneggiato o impigliato, il rischio di scossa elettrica aumenta.

- e. **Se l'elettrotensile viene utilizzato all'aperto, usare esclusivamente prolunghie omologate per l'impiego all'esterno.** L'uso di un cavo di alimentazione adatto ad ambienti esterni riduce il rischio di scossa elettrica.
 - f. **Se non è possibile evitare di lavorare in una zona umida, usare una rete elettrica protetta da un interruttore differenziale (RCD).** L'uso di un interruttore differenziale riduce il rischio di scossa elettrica.
- #### 3. Sicurezza delle persone
- a. **È importante concentrarsi su ciò che si sta facendo e maneggiare con giudizio l'elettrotensile. Non utilizzare un elettrotensile quando si è stanchi o sotto l'effetto di droghe, alcool o medicinali.** Un solo attimo di distrazione durante l'uso dell'elettrotensile potrebbe provocare gravi lesioni personali.
 - b. **Usare dispositivi di protezione individuale. Indossare sempre dispositivi di protezione oculare.** L'uso di dispositivi di protezione, quali mascherine antipolvere, scarpe antinfortunistiche antiscivolo, elmetti o protezioni auricolari, in condizioni opportune consente di ridurre le lesioni personali.
 - c. **Impedire l'avviamento involontario. Accertarsi che l'interruttore di accensione sia in posizione "off" (spento), prima di collegare l'elettrotensile alla rete elettrica e/o alla batteria, di prenderlo in mano o di trasportarlo.** Per non esporsi al rischio di incidenti, non trasportare l'elettrotensile tenendo le dita sull'interruttore e non collegarlo a una fonte di alimentazione elettrica con l'interruttore acceso.
 - d. **Prima di accendere un elettrotensile, togliere eventuali utensili o chiavi di regolazione.** Un utensile di regolazione o una chiave fissati su una parte rotante dell'elettrotensile può provocare lesioni a persone.
 - e. **Non sbilanciarsi. Mantenere sempre un appoggio e un equilibrio adeguati.** In tal modo è possibile mantenere un migliore controllo dell'elettrotensile nelle situazioni impreviste.
 - f. **Vestirsi adeguatamente. Non indossare abiti lenti o gioielli. Tenere i capelli, i vestiti e i guanti lontano dalle parti mobili.** Abiti larghi, gioielli o capelli lunghi possono impigliarsi nelle parti in movimento.
 - g. **Se gli elettrotensili sono provvisti di attacchi per il collegamento di dispositivi di aspirazione o di raccolta della polvere, assicurarsi che questi siano installati e utilizzati correttamente.** La raccolta della polvere può ridurre i pericoli legati a quest'ultima.

4. Uso e cura dell'elettrotensile

- a. **Non sovraccaricare l'elettrotensile. Utilizzare l'elettrotensile adatto per il lavoro da eseguire.**
L'elettrotensile corretto funzionerà meglio e in modo più sicuro, se utilizzato alla velocità per cui è stato progettato.
- b. **Non utilizzare l'elettrotensile se l'interruttore è difettoso.** Qualsiasi elettrotensile che non possa essere controllato tramite l'interruttore è pericoloso e deve essere riparato.
- c. **Scollegare la spina dalla presa di corrente e/o il pacco batteria dall'elettrotensile prima di regolarlo, sostituirne gli accessori o riporlo in magazzino.** Queste misure di sicurezza preventive riducono il rischio di azionare accidentalmente l'elettrotensile.
- d. **Quando non vengono usati, gli elettrotensili devono essere custoditi fuori dalla portata dei bambini. Non consentire l'uso dell'elettrotensile a persone inesperte o che non abbiano letto le presenti istruzioni d'uso.** Gli elettrotensili sono pericolosi in mano a persone inesperte.
- e. **Sottoporre gli elettrotensili a regolare manutenzione. Verificare che le parti mobili siano correttamente allineate e non inceppate, che non vi siano componenti rotti e che non sussistano altre condizioni che possono compromettere il funzionamento dell'elettrotensile. Se danneggiato, far riparare l'elettrotensile prima dell'uso.** Molti incidenti sono provocati da elettrotensili non sottoposti a corretta manutenzione.
- f. **Mantenere affilati e puliti gli utensili da taglio.** La manutenzione corretta degli utensili da taglio con bordi affilati riduce le probabilità di inceppamento e ne facilita il controllo.
- g. **Utilizzare l'elettrotensile, gli accessori, le punte, ecc. in conformità alle presenti istruzioni, tenendo conto delle condizioni operative e del lavoro da eseguire.** L'utilizzo dell'elettrotensile per impieghi diversi da quelli previsti può dare luogo a situazioni di pericolo.

5. Uso e cura degli elettrotensili a batteria

- a. **Ricaricare la batteria utilizzando esclusivamente il caricabatterie l'alimentatore specificato dal fabbricante.**
Un caricabatterie adatto per un solo tipo di batteria può comportare il rischio d'incendio se usato con una batteria diversa.
- b. **Usare gli elettrotensili esclusivamente con i pacchi batteria specificamente progettati per gli stessi.** L'impiego di batterie di tipo diverso potrebbe provocare il rischio di lesioni a persone e incendi.
- c. **Quando il battery pack non viene usato, tenerlo lontano da altri oggetti metallici tipo graffette, monete, chiavi, chiodi, viti o altri oggetti metallici di piccole**

dimensioni, che potrebbero cortocircuitare un morsetto con l'altro. Se i morsetti della batteria vengono cortocircuitati potrebbero provocare ustioni o un incendio.

- d. **In condizioni di sovraccarico, dai pacchi batteria potrebbe fuoriuscire del liquido: evitare di toccarlo. In caso di contatto accidentale, risciacquare la pelle con acqua. Se il liquido entra a contatto con gli occhi, consultare un medico.** Il liquido che fuoriesce dalla batteria può causare irritazioni o ustioni.

6. Assistenza

- a. **Fare riparare l'elettrotensile esclusivamente da personale specializzato e solo utilizzando pezzi di ricambio originali.** In questo modo sarà possibile mantenere la sicurezza dell'elettrotensile.

Altre avvertenze di sicurezza riguardanti gli elettrotensili



Avvertenza! Ulteriori avvertenze di sicurezza per le levigatrici



Avvertenza! Il contatto o l'inalazione della polvere generata dalla levigatura potrebbe nuocere alla salute dell'operatore e delle eventuali altre persone presenti. Indossare una mascherina antipolvere specifica per polveri e fumi e accertarsi che anche le persone presenti nell'area di lavoro o che vi entrano siano adeguatamente protetti.

- ◆ **Tenere l'elettrotensile afferrando le impugnature isolate se vi è la possibilità che l'accessorio di levigatura possa venire a contatto con fili elettrici nascosti o con il cavo di alimentazione.** Il contatto tra l'accessorio e un filo sotto tensione mette sotto tensione le parti metalliche esposte dell'elettrotensile e potrebbe esporre l'operatore a scosse elettriche.
- ◆ **Usare morse o altri metodi pratici per fissare e sostenere il pezzo in lavorazione su una piattaforma stabile.** Tenere il pezzo in lavorazione con le mani o contro il corpo non ne assicura la stabilità e potrebbe comportare la perdita di controllo.



Avvertenza! Prestare particolare attenzione durante la levigatura di alcuni tipi di legno (es. faggio, quercia) e di metalli che potrebbero generare polveri tossiche. Indossare una mascherina anti-polvere appositamente progettata per proteggere dalle polveri e dai fumi tossici e assicurarsi che anche le persone che si trovano all'interno dell'area di lavoro o che stiano per entrarvi siano protette.



Avvertenza! Quando si levigano metalli ferrosi, lavorare in una zona ben ventilata. Non usare l'elettrotensile vicino a liquidi infiammabili, gas o polvere. Le scintille o le particelle calde generati dalla levigatura o l'arco elettrico prodotto dalle spazzole del motore potrebbero incendiare i materiali combustibili.



Avvertenza! Non levigare il magnesio! Comporta il rischio di incendi o esplosioni.

- ◆ Dopo la levigatura, rimuovere tutta la polvere.
- ◆ L'uso previsto è indicato nel presente manuale di istruzioni. Se questo elettrotensile viene impiegato con accessori o per usi diversi da quelli raccomandati nel presente manuale, potrebbero verificarsi lesioni personali e/o danni alle cose.

Precauzioni per la levigatura di superfici verniciate



Avvertenza! Osservare le norme di sicurezza previste per la levigatura di superfici levigate. Prestare particolare attenzione a quanto segue:

- ◆ Se possibile, utilizzare sempre un aspirapolvere per raccogliere la polvere.
- ◆ Fare molta attenzione quando si levigano vernici che probabilmente contengono piombo e la cui polvere può essere tossica:
 - ◆ Vietare l'ingresso nell'area di lavoro a bambini o donne in gravidanza.
 - ◆ Tutte le persone che accedono all'area di lavoro devono indossare una mascherina specifica per fumi e polveri di vernice a base di piombo.
 - ◆ Non mangiare, bere o fumare nell'area di lavoro.
- ◆ Smaltire polvere e rifiuti adottando le necessarie misure di sicurezza.

Sicurezza altrui

- ◆ Questo apparecchio non è destinato per l'uso da parte di persone (compresi i bambini) con capacità fisiche, sensoriali o mentali ridotte, o prive di esperienza e conoscenza, a meno che non abbiano ottenuto sorveglianza o istruzioni riguardo all'uso dell'apparecchio da parte di una persona responsabile della loro sicurezza.
- ◆ I bambini devono essere sorvegliati per assicurarsi che non giochino con l'apparecchio.

Rischi residui.

L'utilizzo dell'apparecchio può comportare rischi residui non necessariamente riportati nelle presenti avvertenze di sicurezza. Tali rischi possono sorgere a seguito di un uso prolungato o improprio, ecc.

Malgrado il rispetto delle norme di sicurezza pertinenti e l'implementazione di dispositivi di sicurezza, alcuni rischi residui non possono essere evitati. Sono inclusi:

- ◆ lesioni causate o subite a seguito del contatto con parti rotanti/in movimento;
- ◆ lesioni causate o subite durante la sostituzione di parti, lame o accessori;
- ◆ lesioni causate dall'impiego prolungato di un apparecchio (quando si utilizza qualsiasi apparecchio per lunghi periodi, accertarsi di fare regolarmente delle pause);
- ◆ menomazioni uditive;
- ◆ rischi per la salute causati dall'aspirazione di polvere generata dall'utilizzo dell'apparecchio (ad esempio quando si lavora con il legno, in modo particolare quello di quercia, faggio o l'MDF).

Vibrazioni

I valori dichiarati delle emissioni di vibrazioni al paragrafo Dati tecnici e nella Dichiarazione di conformità del presente manuale sono stati misurati in base al metodo di test standard previsto dalla normativa EN 60745 e possono essere usati come parametri di confronto tra due utensili. Il valore delle emissioni di vibrazioni dichiarato può anche essere usato come valutazione preliminare dell'esposizione.

Avvertenza! Il valore delle emissioni di vibrazioni durante l'impiego effettivo dell'elettrotensile può variare da quello dichiarato a seconda delle modalità d'uso. Il livello delle vibrazioni può aumentare oltre quello dichiarato.

Quando si valuta l'esposizione alle vibrazioni per determinare le misure di sicurezza richieste dalla normativa 2002/44/CE destinata alla protezione delle persone che utilizzano regolarmente elettrotensili per lo svolgimento delle proprie mansioni, è necessario prendere in considerazione le condizioni effettive di utilizzo e il modo in cui l'elettrotensile viene usato, oltre che tenere conto di tutte le componenti del ciclo operativo, vale a dire i periodi in cui l'elettrotensile rimane spento, quelli in cui è acceso ma fermo e quelli in cui viene effettivamente utilizzato.

Altre istruzioni di sicurezza per batterie e caricabatterie Batterie

- ◆ Non tentare mai di aprire le batterie per alcun motivo.
- ◆ Non lasciare che la batteria si bagni.
- ◆ Non conservare la batteria in luoghi dove la temperatura potrebbe superare i 40 °C.
- ◆ Caricare la batteria solo a temperature ambientali comprese tra 10 °C e 40 °C.
- ◆ Caricare la batteria esclusivamente con il caricabatterie fornito in dotazione con l'elettrotensile.
- ◆ Per lo smaltimento delle batterie, seguire le istruzioni fornite alla sezione "Protezione dell'ambiente".



Non tentare di caricare batterie danneggiate.

Caricabatterie

- ◆ Usare il caricabatterie BLACK+DECKER solo per caricare la batteria dell'elettrotensile con il quale è stato fornito. Altre batterie potrebbero scoppiare causando lesioni alle persone e danni alle cose.
- ◆ Non tentare mai di ricaricare batterie non ricaricabili.
- ◆ Fare sostituire immediatamente i cavi di alimentazione difettosi.
- ◆ Non lasciare che il caricabatterie si bagni.
- ◆ Non aprire il caricabatterie.
- ◆ Non introdurre oggetti nel caricabatterie.



Il caricabatterie è destinato all'uso in ambienti chiusi.



Leggere il presente manuale d'uso prima dell'impiego.

Etichette sull'elettrotensile

Sull'elettrotensile compaiono i seguenti pittogrammi:



Avvertenza! Per ridurre il rischio di lesioni personali, l'operatore deve leggere il manuale di istruzioni.



Indossare una maschera anti-polvere.

Sicurezza elettrica



Il doppio isolamento di cui è provvisto l'elettrotensile rende superfluo il filo di terra. La fornitura del voltaggio e della corrente deve essere conforme alle specifiche indicate sulla targa.

- ◆ In caso di danneggiamento del filo di alimentazione, è necessario farlo riparare dal fabbricante o presso un centro assistenza Stanley Fat Max autorizzato in modo da evitare eventuali pericoli.

Caratteristiche

Questo apparecchio presenta alcune o tutte le seguenti caratteristiche.

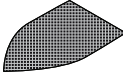
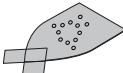
1. Interruttore di accensione/spegnimento
2. Cassetta di raccolta della polvere
3. Base di levigatura
4. Accessorio a puntale
5. Batteria

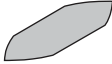
Accessori

Gli accessori forniti con la levigatrice dipendono dal modello acquistato.

Tutti gli accessori elencati di seguito sono disponibili nella nostra gamma. Se si desidera un accessorio elencato di seguito, ma non fornito con la levigatrice, si prega di visitare il sito web all'indirizzo www.blackanddecker.eu.

Le prestazioni dell'elettrotensile dipendono dall'accessorio usato. Gli accessori Stanley FatMax sono fabbricati secondo standard qualitativi elevati e sono stati progettati per ottenere le migliori prestazioni dall'elettrotensile. Utilizzando questi accessori si otterrà il meglio dall'elettrotensile.

Articolo	Descrizione
	Foglio abrasivo a maglia grana 240. Per una finitura accurata durante la levigatura di particolari di grandi dimensioni. (parte numero X39132-XJ)
	Foglio abrasivo a maglia grana 120. Per una finitura media durante la levigatura di particolari di grandi dimensioni. (parte numero X39127-XJ)
	Foglio abrasivo a maglia grana 80. Per una finitura grossolana durante la levigatura di particolari di grandi dimensioni. (parte numero X39122-XJ)
	Carta abrasiva grana 240 per particolari di grandi dimensioni con due punte di ricambio. Per una finitura accurata durante la levigatura di particolari di grandi dimensioni. (parte numero X31019-XJ)
	Carta abrasiva grana 120 per particolari di grandi dimensioni con due punte di ricambio. Per una finitura media durante la levigatura di particolari di grandi dimensioni. (parte numero X31009-XJ)
	Carta abrasiva grana 60 per particolari di grandi dimensioni con due punte di ricambio. Per una finitura grossolana durante la levigatura di particolari di grandi dimensioni. (parte numero X31039-XJ)

Articolo	Descrizione
	Foglio di carta abrasiva grana 120 per puntale per particolari. Per una finitura media durante la levigatura dei particolari. (parte numero X3277-XJ)

Procedura di carica (Fig. A)

I caricabatterie Stanley Fat Max sono progettati per caricare i pacchi batteria Stanley Fat Max.

- ◆ Collegare il caricabatterie (5) a una presa di corrente adatta prima di inserire la batteria (4).
- ◆ Inserire la batteria (4) nel caricabatterie (5), come illustrato nella Figura A.
- ◆ Il LED (5a) lampeggia mentre la ricarica è in corso.
- ◆ Il completamento della carica sarà indicato dal LED (5a) che rimane continuamente acceso.

La batteria a quel punto è completamente carica e può essere utilizzata in subito o lasciata nel caricabatterie.

Nota: ricaricare le batterie scariche al più presto dopo l'uso, altrimenti la loro durata potrebbe diminuire notevolmente. Per la massima durata delle batterie, non lasciarle scaricare completamente.

Consigliamo di ricaricare le batterie dopo ciascun impiego.

Batteria lasciata nel caricabatterie

Il caricabatterie (5) e il pacco batteria (4) possono essere lasciati collegati con il LED sempre acceso.

Il caricabatterie manterrà il pacco batteria come nuovo e completamente carico.

Note importanti riguardanti la ricarica

- ◆ È possibile ottenere la massima durata e prestazioni ottimali se la batteria viene caricata con una temperatura dell'aria è compresa tra 18°C e 24°C (65-75°F). NON caricare la batteria a una temperatura dell'aria inferiore a +4,5°C (+40°F) o superiore a +40,5°C (+105°F). Questo fatto è importante e consentirà di evitare gravi danni al pacco batteria.
- ◆ Il caricabatterie e la batteria possono diventare caldi al tatto durante la carica. È un fatto normale che non indica la presenza di problemi. Per facilitare il raffreddamento della batteria dopo l'uso, evitare di posizionare il caricabatterie o il pacco batteria in un ambiente caldo, come ad esempio un capannone di metallo o un rimorchio non isolato.
- ◆ Se la batteria non si ricarica correttamente:
 - ◆ controllare la presenza di corrente nella presa collegandovi una lampada o apparecchio simile;
 - ◆ verificare se la presa è collegata ad un interruttore dell'impianto di illuminazione e si spegne quando si spegne la luce;

- ◆ spostare il caricabatterie e la batteria in un luogo in cui la temperatura dell'aria circostante è di circa 18-24°C (65-75°F).
- ◆ Se i problemi di carica persistono, portare l'elettrodomestico, la batteria e il caricabatterie presso il centro di assistenza di zona.
- ◆ La batteria deve essere sostituita se non riesce a produrre energia a sufficienza per svolgere lavori che prima venivano eseguiti con facilità. NON CONTINUARE a usarla in queste condizioni. Seguire la procedura di carica. È anche possibile caricare una batteria parzialmente utilizzata ogni volta che si desidera senza alcun effetto negativo sulla batteria stessa.
- ◆ Materiali estranei di natura conduttiva quali, a titolo esemplificativo, ma non esaustivo, lana d'acciaio, fogli di alluminio o qualsiasi accumulo di particelle metalliche, devono essere tenuti lontano dalle cavità del caricabatterie. Staccare sempre il caricabatterie dalla presa di corrente quando la batteria non è inserita. Staccare il caricabatterie dalla presa di corrente prima di iniziare a pulirlo.
- ◆ Non immergere nessuna parte dell'elettrodomestico in acqua o in altre sostanze liquide.

Avvertenza! Non far penetrare alcun liquido all'interno del caricabatterie. Non tentare mai di aprire la batteria per alcun motivo.

Se l'involucro in plastica della batteria si rompe o si crepa, portarlo presso un centro di assistenza per il suo riciclaggio.

Diagnostica del caricabatteria (Fig.B)

Per conoscere lo stato di carica della batteria fare riferimento agli indicatori illustrati nella Figura E.

Batteria guasta

Se compare un simbolo di batteria guasta che lampeggia, non continuare a caricare la batteria. Portarla presso un centro di assistenza o un sito di raccolta per il riciclaggio.

Ritardo batteria calda/fredda

Quando il caricabatterie rileva una batteria troppo calda o troppo fredda, avvia automaticamente un ritardo per batteria calda/fredda, sospendendo la carica finché la batteria non ha raggiunto la temperatura adeguata. Il caricabatterie passa quindi automaticamente alla modalità di carica. Questa funzione garantisce la massima durata della batteria. Una batteria fredda si carica a una velocità inferiore rispetto a una batteria calda. La batteria ricarica a una velocità rallentata per tutto il ciclo di caricamento e non torna alla velocità di carica massima anche se si scalda.

Inserimento e rimozione della batteria dall'elettrotensile

Per installare la batteria (Fig. C)

- ◆ Inserire la batteria (4) nell'apparecchio finché non si sente un clic (Figura. C).
- ◆ Assicurarsi che la batteria sia inserita a fondo e completamente bloccata in posizione.

Per rimuovere la batteria (Fig.D)

- ◆ Premere il pulsante di rilascio della batteria (4a) come indicato in figura D ed estrarre il pacco batteria (4) dall'utensile.

Assemblaggio

Avvertenza! Prima di assemblarlo, assicurarsi che l'elettrotensile sia spento e che la batteria sia stata rimossa.

Montaggio dei fogli abrasivi a maglia (fig. E)

- ◆ Tenere l'elettrotensile con la base di levigatura rivolta verso l'alto.
- ◆ Posizionare il foglio abrasivo (6) sulla base di levigatura, verificando che i fori presenti su di esso siano allineati con quelli della base.

Montaggio dei fogli abrasivi standard (fig. F - Accessorio opzionale)

- ◆ Staccare le altre due punte romboidali (8) dal foglio abrasivo (7).

La punta romboidale (8) può essere invertita e sostituita quando è usurata.

- ◆ Quando la parte anteriore della punta (8) è consumata, staccarla dal foglio, girarla e fissarla di nuovo alla base.
- ◆ Quando tutta la punta è consumata, rimuoverla dalla base di levigatura e sostituirla con una punta nuova.

Per agevolare la raccolta della polvere, utilizzare il tipo di carta abrasiva più adatto.

Riposizionamento della punta romboidale (Fig. G)

- ◆ Riposizionare la punta romboidale (9).
- ◆ Riposizionare e serrare la vite (10).

Montaggio e rimozione della cassetta di raccolta della polvere (fig. H)

- ◆ Infilare la cassetta di raccolta della polvere (2) sul connettore (2a) e accertarsi che sia saldamente posizionata.
- ◆ Per rimuovere la cassetta di raccolta della polvere, tirarlo indietro e staccarla.

Utilizzo

Avvertenza! Lasciare che l'elettrotensile funzioni al suo ritmo. Non sovraccaricarlo.

Accensione e spegnimento

- ◆ Per accendere l'elettrotensile, far scorrere in avanti l'interruttore di accensione (1) (posizione I).
- ◆ Per spegnere l'elettrotensile, far scorrere indietro l'interruttore di accensione (1) (posizione O).

Manutenzione

Questo elettrotensile è stato progettato per funzionare a lungo con una manutenzione minima. Prestazioni sempre soddisfacenti dipendono da una cura appropriata e da una pulizia regolare.

Avvertenza! Prima di eseguire operazioni di manutenzione, spegnere l'elettrotensile ed estrarre la spina dalla presa di corrente o rimuovere la batteria.

- ◆ Le prese di ventilazione dell'elettrotensile devono essere pulite regolarmente con un pennello morbido o un panno asciutto.
- ◆ Il vano del motore deve essere pulito regolarmente con un panno umido. Non usare materiali abrasivi o detergenti a base di solventi.

Protezione dell'ambiente



Raccolta differenziata. I prodotti e le batterie contrassegnate con questo simbolo non devono essere smaltiti con i rifiuti domestici normali.

Essi contengono materiali che possono essere recuperati o riciclati, riducendo la richiesta di materie prime. Riciclare i prodotti elettrici e le batterie attenendosi alle disposizioni locali. Ulteriori informazioni sono disponibili all'indirizzo www.2helpU.com.

Dati tecnici

		FMCW210
Tensione in ingresso	V _{dc}	18
Oscillazioni (a vuoto)	min ⁻¹	12000
Rotazioni (a vuoto)	min ⁻¹	12000
Superficie della base di levigatura	mm ²	8866
Peso	kg	0,88

		FMC687L
Tensione	V _{DC}	18
Capacità	Ah	2,0
Tipo		1

Caricabatterie		90608625
Tensione in ingresso	V _{AC}	230
Tensione erogata	V _{DC}	18
Corrente	mA	2000

L _{PA} (pressione sonora) 68 dB(A), Incertezza (K) 3 dB(A)
L _{WA} (potenza sonora) 79 dB(A), Incertezza (K) 3 dB(A)
Valori totali vibrazioni (somma vettoriale triassiale) in base a EN 60745:
Valore emissioni vibrazioni (impugnatura principale) (a _h) 5,9 m/s ² , incertezza (K) 1,5 m/s ²
Valore emissioni vibrazioni (impugnatura ausiliaria) (a _h) 7,3 m/s ² , incertezza (K) 1,5 m/s ²

Dichiarazione di conformità CE

DIRETTIVA MACCHINE



FMCW210 - Levigatrice

Stanley Europe dichiara che questi prodotti descritti al paragrafo "Dati tecnici" sono conformi a:

2006/42/EC, EN60745-1:2009+A11:2010, EN60745-2-4:2009+A11:2011

Questi prodotti sono conformi alla Direttiva 2014/30/UE e 2011/65/UE. Per ulteriori informazioni contattare Stanley Fat Max al seguente indirizzo oppure consultare l'ultima di copertina del manuale.

Il sottoscritto è responsabile della redazione di questo documento tecnico e rilascia questa dichiarazione per conto di Black & Decker.

R. Laverick
Direttore tecnico Stanley Europe,
Egide Walschaertsstraat14-18,
2800 Mechelen, Belgio
17/08/2017

Garanzia

Stanley Fat Max è sicura della qualità dei propri prodotti e offre ai consumatori una garanzia di 12 mesi dalla data di acquisto. Il presente certificato di garanzia è complementare ai diritti legali e non li pregiudica in alcun modo. La garanzia è valida sui territori degli Stati membri dell'Unione Europea o dell'EFTA (Associazione europea di libero scambio).

Per attivare la garanzia, il reclamo deve essere effettuato in accordo con i Termini e condizioni Stanley FatMax e sarà necessario presentare la prova di acquisto al venditore o all'agente riparatore autorizzato.

I Termini e condizioni della garanzia Stanley FatMax di 1 anno e la sede del tecnico riparatore autorizzato più vicino sono consultabili online sul sito web www.2helpU.com oppure contattando la sede Stanley FatMax di zona all'indirizzo indicato in questo manuale.

Visitare il nostro sito web www.stanley.eu/3 per registrare il prodotto Stanley FatMax appena acquistato e ricevere gli aggiornamenti sui nuovi prodotti e le offerte speciali.

(Vertaling van de originele instructies)

NEDERLANDS

Bedoeld gebruik

Uw Stanley Fat Max schuurmachine FMCW210 is ontworpen voor het schuren van hout, metaal, kunststof en geverfde oppervlakken. Dit apparaat is bedoeld voor professionele en private, niet-professionele gebruikers.

Veiligheidsinstructies

Algemene veiligheidswaarschuwingen voor elektrisch gereedschap



Waarschuwing! Lees alle veiligheidsinstructies en alle instructies. Wanneer de volgende waarschuwingen en voorschriften niet in acht worden genomen, kan dit een elektrische schok, brand of ernstig letsel tot gevolg hebben.

Bewaar alle waarschuwingen en instructies als referentiemateriaal. De hierna gebruikte term 'elektrisch gereedschap' in alle waarschuwingen die hieronder worden vermeld, heeft betrekking op elektrisch gereedschap voor gebruik op netspanning (met netsnoer) of met een accu (snoerloos).

1. Veilige werkomgeving

- a. **Houd uw werkomgeving schoon en goed verlicht.** Op rommelige of donkere plekken zullen sneller ongelukken gebeuren.
- b. **Werk niet met elektrisch gereedschap in een omgeving met explosiegevaar, zoals in de nabijheid van brandbare vloeistoffen, gassen of stof.**

Elektrisch gereedschap veroorzaakt vonken die het stof of de dampen kunnen doen ontbranden.

- c. **Houd kinderen en omstanders tijdens het gebruik van elektrisch gereedschap op afstand.** Als u wordt afgeleid, kunt u de controle over het gereedschap verliezen.

2. Elektrische veiligheid

- a. **De netstekker van het elektrisch gereedschap moet in het stopcontact passen. Pas de stekker nooit op enige manier aan. Gebruik geen adapterstekkers in combinatie met geaard elektrisch gereedschap.** Niet-aangepaste stekkers en passende contactdozen verminderen het risico van een elektrische schok.
- b. **Vermijd aanraking van het lichaam met geaarde oppervlakken, bijvoorbeeld buizen, verwarmingen, fornuizen en koelkasten.** Er bestaat een verhoogd risico van een elektrische schok als uw lichaam contact heeft met aarde.
- c. **Stel elektrisch gereedschap niet bloot aan regen en vocht.** Als er water in een elektrisch gereedschap dringt, verhoogt dit het risico van een elektrische schok.
- d. **Behandel het snoer voorzichtig. Gebruik het snoer nooit om het elektrische gereedschap te dragen of naar u toe te trekken, of de stekker uit het stopcontact te halen. Houd het snoer uit de buurt van warmtebronnen, olie, scherpe randen, of bewegende onderdelen.** Beschadigde snoeren of snoeren die in de war zijn geraakt, verhogen het risico van een elektrische schok.
- e. **Gebruik, wanneer u buitenshuis met elektrisch gereedschap werkt, alleen verlengsnoeren die zijn goedgekeurd voor gebruik buitenshuis.** Het gebruik van een verlengsnoer dat geschikt is voor buiten vermindert het risico van een elektrische schok.
- f. **Als u met elektrisch gereedschap werkt op een vochtige locatie, gebruik dan een aardlekschakelaar (RCD).** Het gebruik van een aardlekschakelaar vermindert het risico van een elektrische schok.

3. Persoonlijke veiligheid

- a. **Blijf alert, let goed op wat u doet en ga met verstand te werk bij het gebruik van elektrische gereedschappen. Gebruik elektrisch gereedschap niet als u vermoeid bent of onder de invloed van drugs, alcohol of medicatie bent.** Een moment van onoplettendheid tijdens het werken met elektrisch gereedschap kan leiden tot ernstig persoonlijk letsel.
- b. **Draag persoonlijke beschermende uitrusting. Draag altijd oogbescherming.** Beschermende uitrusting, zoals een stofmasker, antislip veiligheidsschoenen, een helm, of gehoorbescherming, gebruikt in de juiste omstandigheden, zal het risico op persoonlijk letsel verminderen.

- c. **Voorkom per ongeluk inschakelen. Controleer dat de schakelaar in de uit-stand staat voordat u het gereedschap aansluit op het stopcontact en/of de accu plaatst en voordat u het gereedschap optilt of gaat dragen.** Het dragen van elektrisch gereedschap met uw vinger op de schakelaar of het aanzetten van elektrisch gereedschap waarvan de schakelaar aan staat, kan leiden tot ongelukken.
 - d. **Verwijder instelgereedschappen of schroefsleutels voordat u het elektrisch gereedschap inschakelt.** Een steeksleutel of een inbussleutel in een draaiend deel van het elektrisch gereedschap kan tot persoonlijk letsel leiden.
 - e. **Reik niet buiten uw macht. Blijf altijd stevig en in balans op de grond staan.** Dit geeft u betere controle over het elektrisch gereedschap in onverwachte situaties.
 - f. **Draag geschikte kleding. Draag geen loszittende kleding of sieraden. Houd uw haar, kleding en handschoenen uit de buurt van bewegende onderdelen.** Loszittende kleding, sieraden of lang haar kunnen door bewegende delen worden gegrepen.
 - g. **Als voorzieningen voor stofafzuiging of stofopvang kunnen worden gemonteerd, controleer dan dat deze zijn aangesloten en op de juiste wijze worden gebruikt.** Het gebruik van stofafzuiging kan aan stof gerelateerde gevaren verminderen.
- 4. **Gebruik en onderhoud van elektrisch gereedschap**
 - a. **Overbelast het elektrisch gereedschap niet. Gebruik het juiste elektrisch gereedschap voor uw toepassing.** Met het juiste elektrisch gereedschap kunt u de werkzaamheden waarvoor het gereedschap is ontworpen, beter en veiliger uitvoeren.
 - b. **Gebruik het elektrisch gereedschap niet als de schakelaar niet goed werkt.** Ieder elektrisch gereedschap dat niet met de schakelaar kan worden bediend, is gevaarlijk en moet worden gerepareerd.
 - c. **Trek de stekker uit het stopcontact en/of de accu uit het elektrisch gereedschap voordat u het gereedschap instelt, accessoires wisselt of het elektrisch gereedschap opbergt.** Dergelijke preventieve veiligheidsmaatregelen verminderen het risico dat het elektrisch gereedschap per ongeluk wordt gestart.
 - d. **Bewaar elektrisch gereedschap dat niet wordt gebruikt, buiten bereik van kinderen. Laat niet personen die er niet vertrouwd mee zijn en deze aanwijzingen niet hebben gelezen met het gereedschap werken.** Elektrisch gereedschap is gevaarlijk in handen van ongetrainde gebruikers.
 - e. **Onderhoud het gereedschap goed.**

Controleer dat bewegende delen van het elektrisch gereedschap wel goed functioneren en niet klemmen, en dat er niet onderdelen zodanig zijn gebroken of beschadigd dat de werking van het gereedschap nadelig wordt beïnvloed. Laat het gereedschap voor gebruik repareren als het beschadigd is. Veel ongelukken worden veroorzaakt door slecht onderhouden elektrisch gereedschap.

- f. **Houd zaag- en snijgereedschap scherp en schoon.** Goed onderhouden zaaggereedschap met scherpe snijvlakken loopt minder snel vast en is gemakkelijker onder controle te houden.
- g. **Gebruik elektrisch gereedschap, accessoires, zaagjes en boortjes, enz., volgens deze aanwijzingen. Let daarbij op de arbeidsomstandigheden en de uit te voeren werkzaamheden.** Gebruik van het elektrisch gereedschap voor werkzaamheden die anders zijn dan bedoeld, kan leiden tot een gevaarlijke situatie.

5. Gebruik en onderhoud van accugereedschap

- a. **Laad accu's alleen op met de door de fabrikant aanbevolen lader.**

Een lader die geschikt is voor het ene type accu, kan een risico van brand doen ontstaan bij gebruik met een andere accu.

- b. **Gebruik elektrisch gereedschap alleen in combinatie met specifiek vermelde accu's.** Het gebruik van andere accu's kan gevaar voor letsel en brand opleveren.
- c. **Houd de accu, wanneer u deze niet gebruikt, weg bij andere metalen objecten zoals paperclips, munten, sleutels, spijkers, schroeven of andere kleine metalen voorwerpen die een verbinding tot stand kunnen brengen tussen de ene pool en de andere.** Als kortsluiting tussen de polen van de accu wordt gemaakt, kan dit tot brandwonden of brand leiden.
- d. **Wanneer de accu slecht wordt behandeld, kan er vloeistof uit de accu spuiten, vermijd contact met deze vloeistof. Als er per ongeluk contact ontstaat, spoel dan met water. Als de vloeistof in de ogen komt, roep dan tevens medische hulp in.** Vloeistof uit de accu kan irritatie en brandwonden veroorzaken.

6. Service

- a. **Laat het gereedschap alleen repareren door gekwalificeerd en vakkundig personeel en alleen met originele vervangingsonderdelen.** De veiligheid van het gereedschap blijft dan gewaarborgd.

Aanvullende veiligheidswaarschuwingen voor elektrisch gereedschap



Waarschuwing! Aanvullende veiligheidsaanschuwingen voor schuurmachines



Waarschuwing! Contact met of inademing van het stof dat bij het schuren vrijkomt, kan de gezondheid van de gebruiker en omstanders schaden. Draag een stofmasker dat speciaal is ontworpen ter bescherming tegen stof en dampen, en zorg ervoor dat andere personen op de werkplek ook zijn beschermd.

- ◆ **Houd het gereedschap vast bij de geïsoleerde greepoppervlakken als u een handeling uitvoert waarbij het schurende hulpstuk met onzichtbare bedrading in aanraking kan komen.** Als een draad onder spanning wordt geraakt door het hulpstuk, komen onbedekte metalen onderdelen van het gereedschap onder spanning te staan en kunt u een elektrische schok krijgen.
- ◆ **Zet het werkstuk met klemmen of op een andere praktische manier vast en ondersteun het op een stabiele ondergrond.** Wanneer u het werkstuk vasthoudt met de hand of het tegen uw lichaam gedrukt houdt, is het instabiel en kunt u de controle verliezen.



Waarschuwing! Wees vooral voorzichtig bij het schuren van sommige houtsoorten (bijv. beuken, eiken) en metalen die giftige stofdeeltjes kunnen produceren. Draag een stofmasker dat speciaal is ontworpen voor bescherming tegen giftige stofdeeltjes en damp en let erop dat personen op de werkplek of personen die de werkplek betreden, ook beschermd zijn.



Waarschuwing! Gebruik dit gereedschap in een goed geventileerde ruimte als u ferrometalen schuurt. Gebruik het gereedschap niet in de buurt van ontvlambare vloeistoffen, gassen of stof. Vonken of hete deeltjes van het schuren of vonken van de motor kunnen tot gevolg hebben dat brandbare materialen tot ontbranding komen.



Waarschuwing! Schuur geen magnesium! Dit geeft een risico op brand of explosies.

- ◆ Verwijder zorgvuldig alle stof na het schuren.
- ◆ Het bedoeld gebruik wordt beschreven in deze gebruiksaanwijzing. Het gebruik van andere accessoires of hulpstukken of uitvoering van andere handelingen met dit gereedschap dan die in deze instructiehandleiding worden aanbevolen, kan leiden tot persoonlijk letsel en/of materiële schade.

Veiligheid bij het schuren van verf



Waarschuwing! Houd u aan de geldende voorschriften voor het schuren van verf. Let vooral op het volgende:

- ◆ Gebruik wanneer mogelijk een stofzuiger voor het verzamelen van stof.
- ◆ Neem speciale maatregelen bij het schuren van verf die mogelijk een loodbasis heeft en mogelijk giftige stoffen produceert:
 - ◆ Kinderen en zwangere vrouwen mogen de werkvloer niet betreden.
 - ◆ Alle personen die de werkvloer betreden moeten een masker dragen dat speciaal is ontworpen ter bescherming tegen stoffen en dampen van verf met een loodbasis.
 - ◆ Eten, drinken en roken op de werkvloer is niet toegestaan.
- ◆ Verwijder stof en ander afval op veilige en verantwoorde wijze.

Veiligheid van anderen

- ◆ Het is niet de bedoeling dat het apparaat wordt gebruikt door personen (waaronder kinderen) met verminderde fysieke, sensorische of psychische vermogens, of door personen die het ontbreekt aan ervaring en kennis, tenzij onder toezicht en na instructie over het gebruik van het apparaat door iemand die verantwoordelijk is voor hun veiligheid.
- ◆ Er moet op worden toegezien dat kinderen niet met het apparaat spelen.

Overige risico's.

Er kunnen zich bij het gebruik van dit gereedschap nog meer risico's voordoen, die mogelijk niet in de bijgesloten veiligheidswaarschuwingen worden beschreven. Deze risico's kunnen zich voordoen door onoordeelkundig gebruik, langdurig gebruik, enz.

Zelfs wanneer de veiligheidsvoorschriften in acht worden genomen en de veiligheidsvoorzieningen worden gebruikt, kunnen bepaalde risico's niet worden uitgesloten. Dit zijn onder meer:

- ◆ Verwondingen die worden veroorzaakt door het aanraken van draaiende of bewegende onderdelen.
- ◆ Verwondingen die worden veroorzaakt bij het vervangen van onderdelen, bladen of accessoires.
- ◆ Verwondingen die worden veroorzaakt door langdurig gebruik van het gereedschap. Wanneer u langere periodes met de machine werkt, kunt u het beste regelmatig een pauze nemen.
- ◆ Gehoorbeschadiging.
- ◆ Gezondheidsrisico's als gevolg van het inademen van stof dat door gebruik van het gereedschap wordt veroorzaakt (bijvoorbeeld tijdens het werken met hout, met name eiken, beuken en MDF).

Trillingen

De aangegeven waarden voor trillingsemisatie in de technische gegevens en de conformiteitsverklaring zijn gemeten conform een standaardtestmethode die door EN 60745 wordt geboden. Hiermee kan het ene gereedschap met het andere worden vergeleken. De aangegeven waarde voor trillingsemisatie kan ook worden gebruikt bij een voorlopige bepaling van blootstelling.

Waarschuwing! De waarde voor trillingsemisatie tijdens het werkelijke gebruik van het elektrisch gereedschap kan verschillen van de aangegeven waarde afhankelijk van de manieren waarop het gereedschap wordt gebruikt. Het trilling-sniveau kan toenemen tot boven het aangegeven niveau. Bij beoordeling van de blootstelling aan trillingen met het doel vast te stellen welke veiligheidsmaatregelen 2002/44/EG vereist ter bescherming van personen die tijdens hun werk regelmatig elektrisch gereedschap gebruiken, moet bij een inschatting van de blootstelling aan trillingen rekening worden gehouden met de werkelijke gebruiksomstandigheden en de manier waarop het gereedschap wordt gebruikt. Daarbij moet ook rekening worden gehouden met alle onderdelen van de bedrijfscyclus, zoals wanneer het gereedschap wordt uitgeschakeld en wanneer het gereedschap stationair loopt en ook de aanlooptijd.

Aanvullende veiligheidsinstructies voor accu's en laders

Accu's

- ◆ Probeer nooit om welke reden dan ook de accu open te maken.
- ◆ Stel de accu niet bloot aan water.
- ◆ Bewaar de accu niet op locaties met temperaturen van meer dan 40 °C.
- ◆ Laad de accu alleen op bij een omgevingstemperatuur van 10 °C tot 40 °C.
- ◆ Gebruik alleen de lader die bij het gereedschap is geleverd.
- ◆ Gooi lege accu's weg volgens de instructies in het gedeelte "Milieu".



Probeer niet beschadigde accu's op te laden.

Laders

- ◆ Gebruik de lader van BLACK+DECKER alleen voor de accu's in het apparaat waarbij de lader is bijgeleverd. Andere accu's kunnen openbarsten, met persoonlijk letsel en materiële schade tot gevolg.
- ◆ Niet-oplaadbare accu's mogen nooit worden opgeladen.
- ◆ Een defect snoer moet direct worden vervangen.
- ◆ Stel de lader niet bloot aan water.
- ◆ Open de lader niet.

- ◆ Prik nooit met een scherp voorwerp in de lader.



De lader is uitsluitend bestemd voor gebruik binnenshuis.



Lees de instructiehandleiding voordat u de lader in gebruik neemt.

Etiketten op het gereedschap

De volgende pictogrammen worden met de datumcode op het gereedschap weergegeven:



Waarschuwing! De gebruiker moet de instructiehandleiding lezen zodat het risico van letsel wordt beperkt.



Draag een stofmasker.

Elektrische veiligheid



Il doppio isolamento di cui è provvisto l'elettrotensile rende superfluo il filo di terra. La fornitura del voltaggio e della corrente deve essere conforme alle specifiche indicate sulla targa.

- ◆ Als het netsnoer is beschadigd moet dit worden vervangen door de fabrikant of door een officieel Stanley Fat Max-servicecentrum, zodat ongelukken worden voorkomen.

Functies

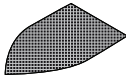
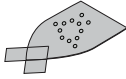

Dit gereedschap is voorzien van enkele of alle van de volgende functies.

1. Aan/Uit-schakelaar
2. Stofcassette
3. Schuurzool
4. Schuurhulpstuk voor detailwerk
5. Accu

Accessoires

De accessoires die worden geleverd bij uw schuurmachine verschillen per model. Alle onderstaande accessoires maken deel uit van ons leveringsprogramma. Als u een accessoire nodig hebt dat hieronder wordt vermeld maar dat niet bij uw schuurmachine is geleverd, bezoek dan onze website op www.blackanddecker.eu.

De prestaties van het gereedschap zijn afhankelijk van de gebruikte accessoires. Accessoires van Stanley Fat Max zijn ontworpen om aan hoge kwaliteitsnormen te voldoen en de prestaties van uw gereedschap te verhogen. Door middel van deze accessoires kunt u uw gereedschap nog beter laten presteren.

Artikel	Beschrijving
	<p>korrel 240 schuurgaas. Voor een fijne afwerking van grof schuurwerk. (Onderdeelnummer - X39132-XJ)</p> <p>korrel 120 schuurgaas. Voor een middelfijne afwerking van grof schuurwerk. (Onderdeelnummer - X39127-XJ)</p> <p>korrel 80 schuurgaas. Voor een grove afwerking van grof schuurwerk. (Onderdeelnummer - X39122-XJ)</p>
	<p>Grove schuurzool met korrel 240 en twee vervangende hoekjes. Voor een fijne afwerking van grof schuurwerk. (Onderdeelnummer - X31019-XJ)</p> <p>Grove schuurzool met korrel 120 en twee vervangende hoekjes. Voor een middelfijne afwerking van grof schuurwerk. (Onderdeelnummer - X31009-XJ)</p> <p>Grove schuurzool met korrel 60 en twee vervangende hoekjes. Voor een grove afwerking van grof schuurwerk. (Onderdeelnummer - X31039-XJ)</p>
	<p>Vel schuurpapier voor hulpstuk detailwerk met korrel 120. Voor een middelfijne afwerking van licht schuurwerk. (Onderdeelnummer - X3277-XJ)</p>

Laadprocedure (Afb. A)

Stanley Fat Max laders zijn ontworpen voor het laden van Stanley Fat Max accu's.

- ◆ Steek de lader (5) in een geschikt stopcontact voordat u de accu (4) plaatst.
- ◆ Plaats de accu (4) in de lader (5), zoals wordt getoond in afbeelding A.
- ◆ Het LED-lampje (5a) gaat knipperen ten teken dat de accu wordt opgeladen.
- ◆ Wanneer de accu geheel is opgeladen, blijft het LED-lampje (5a) ononderbroken branden.

De accu is volledig opgeladen en kan worden gebruikt of in de lader blijven zitten.

Opmerking: Laad accu's die leeg zijn zo spoedig mogelijk na gebruik op, omdat anders de levensduur van de accu mogelijk ernstig wordt bekort. Accu's hebben de langste levensduur wanneer u ze niet volledig ontladent.

Aangeraden wordt de accu's na elk gebruik op te laden.

De accu in de lader laten

U kunt de accu (4) voor onbepaalde tijd in de lader (5) laten zitten terwijl het LED-lampje brandt.

De lader houdt de accu volledig opgeladen.

Belangrijke opmerkingen over opladen

- ◆ De langste levensduur en de beste prestaties kunnen worden behaald als de accu wordt opgeladen wanneer de luchttemperatuur is tussen 18° en 24 °C. LAAD de accu NIET op bij een luchttemperatuur lager dan +4,5 °C of hoger dan +40,5 °C. Dit is belangrijk en zal ernstige beschadiging van de accu voorkomen.
- ◆ De lader en de accu's zullen tijdens het laden bij aanraking misschien warm aanvoelen. Dit is normaal en wijst niet op een probleem. Plaats de accu en de lader na gebruik niet in een warme omgeving, zoals een metalen schuif of een niet-geïsoleerde aanhangwagen, laat ze op een koele plaats afkoelen.
- ◆ Als de accu niet goed wordt opgeladen:
 - ◆ Controleer de spanning door een lamp of ander apparaat op het stopcontact aan te sluiten.
 - ◆ Controleer of het stopcontact wordt onderbroken door een schakelaar, die het licht uitschakelt en het stopcontact stroomloos maakt.
 - ◆ Breng de lader en de accu naar een plaats waar de lucht/omgevingstemperatuur ongeveer 18°- 24 °C is.
 - ◆ Breng, als de problemen met het opladen aanhouden, het gereedschap, de accu en de lader naar het servicecentrum bij u in de buurt.
- ◆ De accu moet worden opgeladen wanneer de accu niet voldoende vermogen levert voor werkzaamheden die eerder zonder veel moeite werden uitgevoerd. **WERK NIET LANGER MET HET GEREEDSCHAP** in deze toestand. Volg de procedure voor het laden. U kunt ook een gedeeltelijk lege accu opladen, wanneer u dat maar wilt, zonder dat dat negatieve gevolgen heeft voor de accu.
- ◆ Bepaalde materialen die geleidend zijn, zoals, maar niet uitsluitend, staalwol, aluminiumfolie of een opeenhoping van metaalachtige deeltjes, kunnen beter bij de uitsparingen van de lader worden weggehouden. Trek altijd de stekker uit het stopcontact wanneer er geen accu in de uitsparing van de lader zit. Trek de stekker van de lader uit het stopcontact voordat u de lader gaat reinigen.
- ◆ Laat de lader niet bevriezen en dompel de lader niet onder in water of andere vloeistoffen.

Waarschuwing! Laat geen vloeistof in de lader dringen.

Probeer nooit om welke reden dan ook de accu te openen. Als de kunststof behuizing van de accu breekt of scheurt, breng de accu dan naar een servicecentrum waar deze kan worden gerecycled.

Diagnosefuncties van de lader (Afb. B)

Zie de indicatoren in afbeelding B voor de laadstatus van de accu.

Slechte accu

Ziet u het lampje in een patroon van een slechte accu knipperen, ga dan niet door met het opladen van deze accu. Breng de accu terug naar het servicecentrum of naar een inzamelpunt waar de accu kan worden gerecycled.

Hot/Cold Pack Delay (Vertraging Hete/Koude Accu)

Wanneer de lader waarneemt dat een accu te warm of te koud is, wordt onmiddellijk een Hot/Cold Delay gestart en wordt het laden uitgesteld tot de accu een geschikte temperatuur heeft bereikt. De lader schakelt dan automatisch over op de accu-laadstand. Deze functie waarborgt een maximale levensduur van de accu. Een koude accu zal minder snel opladen dan een warme accu. De accu zal minder snel opladen gedurende de gehele laadcyclus en zal niet op maximale snelheid opladen, ook niet als de accu warmer wordt.

De accu in het apparaat plaatsen en eruit nemen

De accu plaatsen (Afb. C)

- ◆ Steek de accu (4) in de voet van het gereedschap en duw tot u een klik hoort (Afb. C).
- ◆ Controleer dat de accu geheel op z'n plaats zit en goed is vergrendeld.

De accu uitnemen (Afb. D)

- ◆ Druk op de accuvrijgaveknop (4a) zoals wordt getoond in Afb. D en trek de accu (4) uit de voet van het gereedschap.

Montage

Waarschuwing! Let er vóór aanvang van de montage op dat het apparaat is uitgeschakeld en de accu is uitgenomen.

Schuurgas plaatsen (Afb. E)

- ◆ Houd het gereedschap vast met de schuurzool naar boven gericht.
- ◆ Plaats het schuurgas (6) op de schuurzool en zorg er daarbij voor dat de gaten in het gas aansluiten op de gaten in de zool.

Schuurpapier plaatsen (Afb. F - als optie verkrijgbaar accessoire)

- ◆ Maak de twee extra ruitvormige punten (8) los van het schuurpapier (7).

De ruitvormige punt (8) kan worden omgedraaid en worden vervangen wanneer deze is versleten.

- ◆ Wanneer het voorste gedeelte van de punt (8) is versleten, maakt u het los van het vel schuurpapier, draait u het om en drukt u het weer tegen de schuurzool.
- ◆ Wanneer de gehele punt is versleten, verwijdert u deze van de schuurzool en plaatst u een nieuwe punt.

Controleer dat u het juiste schuurpapier gebruikt, zodat het schuurstof zo goed mogelijk wordt opgevangen.

De ruitvormige punt vervangen (Afb. G)

- ◆ Vervang de ruitvormige punt (9).
- ◆ Plaats de schroef (10) weer en zet vast.

Stofcassette plaatsen en verwijderen (Afb. H)

- ◆ Schuif de stofcassette (2) op de connector (2a) en zorg ervoor dat de cassette stevig vastzit.
- ◆ Wilt u de stofcassette verwijderen dan trekt u deze naar achteren en van het achterste gedeelte van het gereedschap af.

Gebruik van het apparaat

Waarschuwing! Laat het gereedschap op zijn eigen snelheid werken. Overbelast het gereedschap niet.

In- en uitschakelen

- ◆ Schakel het gereedschap in door aan/uit-schakelaar (1) naar voren naar stand I te drukken.
- ◆ Schakel het gereedschap uit door aan/uit-schakelaar (1) naar achteren naar stand O te drukken.

Onderhoud

Uw gereedschap is ontworpen om gedurende een lange periode te functioneren met een minimum aan onderhoud. Het continu naar tevredenheid functioneren hangt af van de juiste zorg voor het gereedschap en regelmatig schoonmaken.

Waarschuwing! Schakel de machine uit en haal de stekker uit het stopcontact of neem de accu uit, voordat u onderhoud uitvoert.

- ◆ Reinig regelmatig de ventilatieopeningen van het gereedschap met een zachte borstel of droge doek.
- ◆ Reinig de behuizing van de motor regelmatig met een vochtige doek. Gebruik niet een schurend schoonmaakmiddel of een schoonmaakmiddel op basis van een oplosmiddel.

Het milieu beschermen



Gescheiden afvalinzameling. Producten en accu's waarop dit symbool is aangebracht, mogen niet bij het normale huishoudafval worden weggegooid.

Producten en accu's bevatten materialen die kunnen worden teruggewonnen of gerecycled en dat doet de vraag naar grondstoffen afnemen.

Recycle elektrische producten en accu's volgens de ter plaatse geldende bepalingen. Nadere informatie is beschikbaar op www.2helpU.com

Technische gegevens

		FMCW210
Ingangsspanning	V_{dc}	18
Trillingen (onbelast)	min^{-1}	12000
Omlopen (onbelast)	min^{-1}	12000
Oppervlak schuurzool	mm^2	8866
Gewicht	kg	0,88

		FMC687L
Spanning	V_{DC}	18
Capaciteit	Ah	2,0
Type		1
Lader		90608625
Ingangsspanning	V_{AC}	230
Uitgangsspanning	V_{DC}	18
Laadstroom	mA	2000

L_{DA} (geluidsdruk) 68 dB(A), Onzekerheid (K) 3 dB(A)
L_{WA} (geluidsvermogen) 79 dB(A), Onzekerheid (K) 3 dB(A)
Totale trillingswaarden (som triaxvector) volgens EN 60745:
Waarde trillingsemissie (hoofdhandgreep) (a_H) $5,9 \text{ m/s}^2$, onzekerheid (K) $1,5 \text{ m/s}^2$
Waarde trillingsemissie (hulphandgreep) (a_H) $7,3 \text{ m/s}^2$, meetonzekerheid (K) $1,5 \text{ m/s}^2$

EG conformiteitsverklaring
RICHTLIJN VOOR MACHINES



FMCW210 - Schuurmachine

Stanley Europe verklaart dat deze producten, die worden beschreven onder "Technische gegevens", voldoen aan: 2006/42/EC, EN60745-1:2009+A11:2010, EN60745-2-4:2009+A11:2011

Deze producten voldoen tevens aan richtlijn 2014/30/EU en 2011/65/EU. Neem voor meer informatie contact op met Stanley Fat Max op het volgende adres of raadpleeg de achterzijde van de handleiding.

Ondergetekende is verantwoordelijk voor de samenstelling van het technische bestand en legt deze verklaring af namens Black & Decker.



R. Laverick
 Director of Engineering Stanley Europe,
 Egide Walschaertsstraat 14-18,
 2800 Mechelen, België
 17/08/2017

Garantie

Stanley Fat Max heeft vertrouwen in zijn producten en biedt consumenten een garantie van 12 maanden vanaf de datum van aankoop. Deze garantie vormt een aanvulling op uw wettelijke rechten en beperken deze niet. De garantie is geldig op het grondgebied van de Lidstaten van de Europese Unie en de Europese Vrijhandelszone.

Voor een garantie-aanspraak moet uw aanspraak in overeenstemming zijn met de Voorwaarden en Conditie van Stanley Fat Max en moet u een bewijs van aankoop overleggen aan de verkoper of aan een geautoriseerde reparatiemonteur. Voorwaarden en condities van de 1-jarige garantie van Stanley Fat Max en het adres van de vestiging van het geautoriseerde reparatiecentrum bij u in de buurt, kunt u vinden op internet op www.2helpU.com, of door contact op te nemen met het Stanley Fat Max-kantoor ter plaatse, op het adres dat in deze handleiding wordt vermeld.

Bezoek onze website www.stanley.eu/3, waar u uw nieuwe Stanley Fat Max-product kunt registreren en informatie kunt vinden over nieuwe producten en speciale aanbiedingen.

Uso previsto

Su lijadora Stanley Fat Max FMCW210 ha sido diseñada para lijar madera, metal, plástico y superficies pintadas. Este aparato está pensado para usuarios profesionales y para usuarios no profesionales privados.

Instrucciones de seguridad

Advertencias de seguridad generales para herramientas eléctricas



Advertencia. Lea todas las advertencias de seguridad y todas las instrucciones. En caso de no atenerse a las siguientes advertencias e instrucciones de seguridad, podría producirse una descarga eléctrica, incendio o lesión grave.

Guarde todas las advertencias e instrucciones para futuras consultas. El término "herramienta eléctrica" empleado en las advertencias a continuación hace referencia a la herramienta eléctrica con alimentación de red (con cable) o alimentada por batería (sin cable).

1. Seguridad del área de trabajo

- a. **Mantenga limpia y bien iluminada el área de trabajo.**
Las áreas en desorden u oscuras pueden provocar accidentes.
- b. **No utilice herramientas eléctricas en entornos con peligro de explosión, como aquellos en los que haya líquidos, gases o polvos inflamables.** Las herramientas eléctricas originan chispas que pueden inflamar el polvo o los gases.
- c. **Mantenga alejados a los niños y otras personas del área de trabajo al emplear la herramienta eléctrica.**
Las distracciones pueden ocasionar que pierda el control.

2. Seguridad eléctrica

- a. **El enchufe de la herramienta eléctrica debe corresponder a la toma de corriente. No modifique nunca el enchufe de ninguna forma. No utilice ningún enchufe adaptador con las herramientas eléctricas conectadas a tierra.** Los enchufes no modificados y las tomas de corriente correspondientes reducirán el riesgo de descarga eléctrica.
- b. **Evite que su cuerpo toque partes conectadas o puestas a tierra tales como tuberías, radiadores, cocinas y refrigeradores.** Existe un mayor riesgo de descarga eléctrica si su propio cuerpo está conectado a tierra.
- c. **No exponga las herramientas eléctricas a la lluvia y a la humedad.** Si entra agua a una herramienta eléctrica aumentará el riesgo de descarga eléctrica.
- d. **Cuide el cable de alimentación.**

- No use nunca el cable para transportar, tirar de la herramienta eléctrica o desenchufarla. Mantenga el cable alejado del calor, aceite, bordes afilados y piezas en movimiento. Los cables dañados o enredados aumentan el riesgo de descarga eléctrica.
- e. **Al trabajar con la herramienta eléctrica en la intemperie utilice solamente cables de prolongación homologados para su uso en exteriores.** La utilización de un cable adecuado para el uso en exteriores reduce el riesgo de descarga eléctrica.
 - f. **Si la utilización de una herramienta eléctrica en un lugar húmedo es inevitable, utilice una fuente protegida con un dispositivo diferencial residual (DDR).** El uso de un dispositivo diferencial residual reduce el riesgo de descarga eléctrica.
3. **Seguridad personal**
 - a. **Esté atento a lo que hace y emplee la herramienta eléctrica con prudencia. No maneje una herramienta eléctrica cuando esté cansado o bajo los efectos de drogas, medicamentos o alcohol.** Un momento de falta de atención cuando se manejan las herramientas eléctricas puede ocasionar lesiones personales graves.
 - b. **Utilice un equipo de protección personal. Utilice siempre protección ocular.** El uso del equipo protector como mascarillas antipolvo, calzado antideslizante, casco o protección auditiva para condiciones apropiadas reducirá las lesiones personales.
 - c. **Impida que la herramienta se ponga en marcha accidentalmente. Asegúrese de que el interruptor se encuentre en la posición de apagado antes de conectar la herramienta a la fuente de alimentación o a la batería, o de coger o transportar la herramienta.** Transportar herramientas eléctricas con el dedo puesto en el interruptor o herramientas eléctricas activadoras que tengan el interruptor encendido puede provocar accidentes.
 - d. **Retire las herramientas de ajuste o llaves fijas antes de encender la herramienta eléctrica.** Dejar una llave inglesa u otra llave puesta en una pieza en movimiento de la herramienta eléctrica puede ocasionar lesiones personales.
 - e. **Sea precavido. Mantenga un equilibrio adecuado y la estabilidad constantemente.** Esto permite un mejor control de la herramienta eléctrica en situaciones inesperadas.
 - f. **Lleve puesta una vestimenta de trabajo adecuada. No se ponga ropa suelta o joyas. Mantenga el cabello, la ropa y los guantes alejados de las piezas en movimiento.** La ropa suelta, las joyas y el pelo largo pueden quedar atrapados en las piezas en movimiento.
 - g. **Siempre que sea posible utilizar unos equipos de aspiración o captación de polvo, asegúrese de que estén montados y de se utilicen correctamente.** El uso de equipo de recogida de polvo puede reducir los riesgos relacionados con el polvo.
 4. **Uso y cuidado de herramientas eléctricas**
 - a. **No sobrecargue la herramienta eléctrica. Use la herramienta eléctrica correcta para su trabajo.** La herramienta eléctrica correcta funcionará mejor y con mayor seguridad si se utiliza de acuerdo con sus características técnicas.
 - b. **No utilice la herramienta eléctrica si no se puede encender y apagar con el interruptor.** Toda herramienta eléctrica que no pueda controlarse con el interruptor es peligrosa y debe ser reparada.
 - c. **Desconecte el enchufe de la herramienta eléctrica de la fuente de alimentación y/o la batería antes de realizar cualquier ajuste, cambiar accesorios o guardar la herramienta.** Dichas medidas de seguridad preventivas reducen el riesgo de poner en marcha accidentalmente la herramienta eléctrica.
 - d. **Guarde las herramientas eléctricas fuera del alcance de los niños y no permita que la utilicen las personas no familiarizadas con su uso o con estas instrucciones.** Las herramientas eléctricas son peligrosas en manos de personas no capacitadas.
 - e. **Realice el mantenimiento de sus herramientas eléctricas. Controle si funcionan correctamente, sin atascarse, las partes móviles de la herramienta eléctrica, y si existen partes rotas o deterioradas que pudieran afectar al funcionamiento de la herramienta. Si la herramienta eléctrica está dañada, llévela para que sea reparada antes de utilizarla.** Se ocasionan muchos accidentes por el mal mantenimiento de las herramientas eléctricas.
 - f. **Mantenga las herramientas de corte limpias y afiladas.** Hay menos probabilidad de que las herramientas de cortar con bordes afilados se bloqueen, y son más fáciles de controlar.
 - g. **Utilice la herramienta eléctrica, los accesorios, los útiles de la herramienta, etc. de acuerdo con estas instrucciones, y tenga en cuenta las condiciones de trabajo y la tarea que va a realizar.** El uso de la herramienta eléctrica para operaciones que no sean las previstas puede ocasionar una situación peligrosa.
 5. **Uso y cuidado de la herramienta de baterías**
 - a. **Recárguela solo con el cargador especificado por el fabricante.**

Un cargador adecuado para un tipo de batería puede provocar riesgos de incendios al ser utilizado con otra batería.

- b. **Utilice las herramientas eléctricas solamente con las baterías recomendadas.** El uso de otras baterías puede suponer un riesgo de incendio y lesiones.
- c. **Cuando no utilice la batería, manténgala alejada de objetos de metal como clips para papel, monedas, llaves, clavos, tornillos y otros pequeños objetos metálicos que pueden realizar una conexión de un terminal a otro.** Si se produce un cortocircuito entre los terminales de la batería, pueden ocasionarse incendios o quemaduras.
- d. **En caso de uso abusivo puede salir líquido de la batería, evite el contacto. Si se produce un contacto accidental, lave con agua. Si el líquido se pone en contacto con los ojos, acuda además a un médico.** El líquido expulsado de la batería podrá provocar irritaciones o quemaduras.

6. Servicio

- a. **Esta herramienta eléctrica solo la puede reparar personal técnico autorizado que emplee exclusivamente piezas de repuesto originales.** Así se asegurará que se mantenga la seguridad de la herramienta eléctrica.

Advertencias de seguridad adicionales para herramientas eléctricas



Advertencia. Advertencias de seguridad adicionales para lijadoras.



Advertencia. El contacto o la inhalación del polvo procedente de las aplicaciones de la lijadora puede suponer un peligro para la salud del usuario y de cualquier otra persona que se encuentre a su alrededor. Utilice una mascarilla antipolvo diseñada específicamente para proteger contra el polvo y los vapores y asegúrese de que las demás personas que se encuentren dentro del área de trabajo o que vayan a entrar en ella también estén protegidas.

- ◆ **Sujete la herramienta eléctrica por la superficie de agarre aislada cuando realice una operación en la que el accesorio de lijado pueda entrar en contacto con cables ocultos.** El accesorio que está en contacto con un cable conectado a la red eléctrica podría hacer que las partes metálicas de la herramienta transmitieran esa electricidad y producir una descarga al usuario.
- ◆ **Utilice fijaciones u otro tipo de método para fijar y apoyar la pieza de trabajo en una plataforma estable.** Si sostiene la pieza de trabajo con las manos o con su cuerpo, esta estará inestable y podrá hacer que usted pierda el control.



Advertencia. Tenga especial cuidado cuando lije algunas maderas (como las de haya o roble) y los metales que puedan emitir polvo tóxico. Lleve una máscara de protección especialmente diseñada para protegerle ante los polvos y humos tóxicos y compruebe que las personas que se ubiquen o accedan a la zona de trabajo también lleven protección.



Advertencia. Utilice esta herramienta en una zona bien ventilada a la hora de lijar metales ferrosos. No trabaje con la herramienta cerca de líquidos, gases o polvos inflamables. Las chispas, las partículas calientes del lijado o el chisporroteo de las escobillas del motor pueden inflamar los materiales combustibles.



Advertencia. **¡No lije las piezas de magnesio!** Existe riesgo de incendio o de explosión.

- ◆ Elimine a fondo todo el polvo después de lijar.
- ◆ En este manual de instrucciones se describe el uso previsto. La utilización de accesorios o dispositivos auxiliares o la realización de operaciones distintas a las recomendadas en este manual de instrucciones para esta herramienta puede presentar riesgo de lesiones personales y/o de daños materiales.

Seguridad a la hora de lijar pinturas



Advertencia. Tenga en cuenta las normativas aplicables para el lijado de pinturas. Preste especial atención a las siguientes recomendaciones:

- ◆ Siempre que sea posible, utilice un extractor aspirador para la recogida del polvo.
- ◆ Tenga especial cuidado cuando lije pinturas con un posible contenido de plomo y que puedan producir polvo tóxico:
 - ◆ No permita la entrada de niños ni de mujeres embarazadas al área de trabajo.
 - ◆ Todas las personas que accedan al área de trabajo deben llevar una mascarilla diseñada específicamente como protección contra el polvo y las emanaciones de las pinturas con contenido de plomo.
 - ◆ No ingiera alimentos ni bebidas, ni fume en el área de trabajo.
- ◆ Deshágase de las partículas de polvo y de otros escombros de un modo seguro.

Seguridad de otras personas

- ◆ Este aparato no se destina al uso por parte de personas (incluyendo los niños) con capacidades físicas, sensoriales o mentales reducidas, o que carezcan de experiencia o del conocimiento necesario, a menos que estén supervisadas o reciban las instrucciones relativas al uso del aparato por una persona encargada de su seguridad.
- ◆ Los niños deben vigilarse en todo momento para garantizar que el aparato no se toma como elemento de juego.

Riesgos residuales.

El uso de esta herramienta puede producir riesgos residuales adicionales no incluidos en las advertencias de seguridad adjuntas. Estos riesgos se pueden generar por un uso incorrecto, demasiado prolongado, etc.

El cumplimiento de las normas de seguridad correspondientes y el uso de dispositivos de seguridad no evitan ciertos riesgos residuales. Dichos riesgos incluyen:

- ◆ Lesiones producidas por el contacto con piezas móviles o giratorias.
- ◆ Lesiones producidas al cambiar cualquier pieza, hoja o accesorio.
- ◆ Lesiones producidas al usar una herramienta por un tiempo demasiado prolongado. Si utiliza una herramienta durante períodos de tiempo demasiado prolongados, asegúrese de realizar pausas con frecuencia.
- ◆ Deterioro auditivo.
- ◆ Riesgos para la salud producidos al respirar el polvo que se genera al usar la herramienta (por ejemplo: en los trabajos con madera, especialmente de roble, haya y tableros de densidad mediana).

Vibración

Los valores de emisión de vibraciones declarados en el apartado de características técnicas y en la declaración de conformidad se han calculado según un método de prueba estándar proporcionado por la norma EN 60745 y podrán utilizarse para comparar una herramienta con otra. El valor de emisión de vibraciones especificado también puede utilizarse en una evaluación preliminar de la exposición.

Advertencia. El valor de emisión de vibraciones durante el funcionamiento real de la herramienta eléctrica puede diferir del valor declarado en función de cómo se utilice dicha herramienta. El nivel de las vibraciones puede aumentar por encima del nivel declarado.

Al evaluar la exposición a las vibraciones con el fin de determinar las medidas de seguridad que exige la directiva 2002/44/CE para proteger a las personas que utilizan periódicamente herramientas eléctricas en el entorno laboral, deberá tenerse en cuenta una estimación de la exposición a las vibraciones, las condiciones de uso reales y el modo de empleo de la herramienta, así como los pasos del ciclo operativo como, por ejemplo, el número de veces que la

herramienta se apaga, el tiempo que está parada y el tiempo de activación.

Instrucciones de seguridad adicionales para baterías y cargadores

Baterías

- ◆ Jamás trate de abrirla por ninguna razón.
- ◆ No exponga las baterías al agua.
- ◆ No las almacene en lugares en los que la temperatura pueda superar los 40 °C.
- ◆ Realice la carga únicamente a una temperatura ambiente de entre 10 °C y 40 °C.
- ◆ Utilice únicamente el cargador suministrado con la herramienta para realizar la carga.
- ◆ Cuando vaya a desechar la batería, siga las instrucciones facilitadas en la sección "Protección del medio ambiente".



No intente cargar baterías dañadas.

Cargadores

- ◆ Solo debe utilizar el cargador BLACK+DECKER para cargar la herramienta con la que se suministró. Otras baterías podrían explotar y provocar lesiones y daños materiales.
- ◆ Nunca intente cargar baterías no recargables.
- ◆ Sustituya los cables defectuosos inmediatamente.
- ◆ No exponga el cargador al agua.
- ◆ No abra el cargador.
- ◆ No aplique ningún dispositivo para medir la resistencia del cargador.



El cargador ha sido concebido para utilizarse únicamente en un lugar interior.



Lea el manual de instrucciones antes de usar el producto.

Etiquetas en la herramienta

Los siguientes pictogramas están colocados, junto al código, en la herramienta:



Advertencia. Para reducir el riesgo de lesiones, el usuario debe leer el manual de instrucciones.



Utilice una mascarilla antipolvo.

Seguridad eléctrica



Esta herramienta lleva un doble aislamiento, por lo que no requiere una toma a tierra. Compruebe siempre que el voltaje suministrado corresponda al indicado en la placa de características.

- ◆ Si se dañara el cable de alimentación, deberá ser sustituido por el fabricante o un centro de asistencia técnica autorizado de Stanley Fat Max para evitar cualquier situación de riesgo.

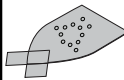
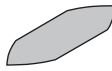
Características

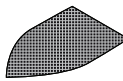
Esta herramienta incluye parte o la totalidad de estas características.

1. Interruptor de encendido/apagado
2. Casete colector de polvo
3. Base de lijado
4. Dispositivo auxiliar de tipo uña
5. Batería

Accesorios

Los accesorios suministrados con la lijadora dependen del modelo que haya adquirido. Todos los accesorios enumerados a continuación se encuentran disponibles en nuestra gama. Si necesita un accesorio que se encuentra enumerado a continuación pero que no se suministra con su lijadora, visite nuestro sitio web en la página www.blackanddecker.eu. El funcionamiento de la herramienta dependerá del accesorio que se utilice. Los accesorios Stanley FatMax se han fabricado siguiendo estándares de alta calidad y se han diseñado para mejorar el funcionamiento de la herramienta. Con estos accesorios, sacará el máximo provecho a su herramienta.

Elemento	Descripción
	Hoja de lijado de detalles de tamaño grande de grano 240, con dos puntas de recambio. Para obtener un excelente acabado para el lijado de detalles de superficies de gran tamaño. (Número de pieza: X31019-XJ)
	Hoja de lijado de detalles de tamaño grande de grano 120, con dos puntas de recambio. Para obtener un acabado medio para el lijado de detalles de superficies de gran tamaño. (Número de pieza: X31009-XJ)
	Hoja de lijado de detalles de tamaño grande de grano 60, con dos puntas de recambio. Para obtener un acabado tosco para el lijado de detalles de superficies de gran tamaño. (Número de pieza: X31039-XJ)
	Hoja de lijado de detalles de grano 120. Para obtener un acabado medio para el lijado preciso. (Número de pieza: X3277-XJ)

Elemento	Descripción
	Malla de lijado de grano 240. Para obtener un excelente acabado para el lijado de detalles de superficies de gran tamaño. (Número de pieza: X39132-XJ)
	Malla de lijado de grano 120. Para obtener un acabado medio para el lijado de detalles de superficies de gran tamaño. (Número de pieza: X39127-XJ)
	Malla de lijado de grano 80. Para obtener un acabado tosco para el lijado de detalles de superficies de gran tamaño. (Número de pieza: X39122-XJ)

Procedimiento de carga (Fig. A)

Los cargadores Stanley Fat Max han sido diseñados para cargar las baterías Stanley Fat Max.

- ◆ Conecte el cargador (5) a la toma adecuada antes de introducir el paquete de baterías (4).
- ◆ Introduzca el paquete de baterías (4) en el cargador (5), tal como se muestra en la figura A.
- ◆ El LED (5a) parpadeará para indicar que se está cargando la batería.
- ◆ Al finalizar la carga, el LED (5a) verde permanecerá encendido en modo fijo. La batería estará cargada y podrá usarse, o dejarla en el cargador.

Nota: Recargue el conjunto descargado de la batería tan pronto como sea posible después del uso; de lo contrario, se reducirá la vida útil del conjunto de la batería. Para aprovechar al máximo la vida útil de la batería, no deje que la batería se agote.

Es recomendable recargar las baterías después de cada uso.

Dejar la batería en el cargador

El cargador (5) y la batería (4) pueden permanecer conectados durante un periodo de tiempo indefinido con el indicador LED iluminado.

El cargador mantendrá el conjunto de la batería a baja temperatura y completamente cargado.

Llévela a un centro de servicios o a un punto de recogida para el reciclaje.

Notas importantes para la carga

- ◆ Se puede conseguir una mayor duración y rendimiento si se carga la batería cuando la temperatura ambiente está entre 65 °F y 75 °F (18 °C y 24 °C). NO cargue la batería cuando la temperatura ambiente sea inferior a +40 °F (+4.5 °C) o superior a +105 °F (+40.5 °C). Esto es importante y prevendrá daños serios a la batería.
- ◆ El cargador y la batería pueden calentarse durante la carga. Esto es normal y no indica ningún problema. Para facilitar el enfriamiento de la batería después del uso, evite colocar el cargador o la batería en un ambiente cálido, como un cobertizo metálico o un remolque sin aislamiento.
- ◆ Si la batería no se carga correctamente:
 - ◆ Enchufe una lámpara u otro aparato para comprobar la corriente de la toma.
 - ◆ Compruebe si la toma está conectada a un interruptor de luz que corta la energía al apagar las luces.
 - ◆ Desplace el cargador y la batería hacia un lugar donde la temperatura del aire circundante sea de aproximadamente 65 °F - 75 °F (18 °C - 24 °C).
 - ◆ Si el problema de carga persiste, lleve la herramienta, la batería y el cargador a su centro de servicios local.
- ◆ La batería debe recargarse cuando no produce energía suficiente para trabajos que antes se efectuaban fácilmente. NO SIGA usándolo en estas condiciones. Siga el procedimiento de carga. También puede cargar un paquete parcialmente usado cuando lo desee, sin ningún efecto adverso para el conjunto de la batería.
- ◆ Los materiales conductores extraños como, a título enunciativo pero no limitativo, lana de acero, papel de aluminio o cualquier acumulación de partículas metálicas deben mantenerse alejados de las cavidades del cargador. Desconecte siempre el cargador de la red cuando el conjunto de la batería no esté colocado en la cavidad. Desconecte el cargador antes de intentar limpiarlo.
- ◆ No congelar ni sumergir en agua u otros líquidos.

Advertencia. No permita que ningún líquido penetre en el cargador. No intente nunca abrir la batería por ningún motivo. Si el alojamiento de plástico de la batería se rompe o se agrieta, llévela a un servicio técnico para reciclarla.

Diagnóstico del cargador (Fig. B)

Consulte los indicadores de la figura B para el estado de carga de la batería.

Fallo de la batería

Si nota un patrón de parpadeo erróneo de la batería, no siga recargando la batería.

Retardo por batería fría / caliente

Cuando el cargador detecta una batería demasiado fría o caliente, automáticamente inicia un retardo de batería fría / caliente, suspendiendo la carga hasta que la batería haya alcanzado la temperatura adecuada. El cargador cambiará automáticamente al modo de carga de batería. Esta característica asegura la máxima vida útil a la batería. Una batería fría se carga a una velocidad inferior que una batería caliente. La batería se cargará a una velocidad inferior durante el ciclo completo de recarga y no volverá a la máxima velocidad de carga aunque la batería se caliente.

Instalación y extracción del paquete de baterías de la herramienta

Colocación de la batería (Fig. C)

- ◆ Inserte la batería (4) en el pie del aparato hasta que oiga un clic (Figura C).
- ◆ Asegúrese de que el paquete de baterías quede bien colocado y enganchado en su posición.

Extracción de la batería (Fig. D)

- ◆ Presione el botón de liberación de la batería (4a) como se muestra en la figura D y saque la batería (4) del pie de la herramienta.

Ensamblaje

Advertencia. Antes de proceder al montaje, compruebe que la herramienta esté apagada y que ha retirado la batería.

Montaje de la malla de lijado (Fig. E)

- ◆ Sostenga la herramienta con la base de lijado hacia arriba.
- ◆ Coloque la malla de lijado (6) sobre la base de lijado, asegurándose de que los orificios de la hoja queden alineados con los de la base.

Montaje de las hojas de lijado (Fig. F - Accesorio opcional)

- ◆ Separe las dos puntas con forma de diamante adicionales (8) de la hoja de lijado (7).

Se puede utilizar el dorso de las puntas con forma de diamante (8) y sustituir las cuando ambos lados se hayan desgastado.

- ◆ Cuando la parte delantera de la punta esté desgastada (8), sepárela de la hoja, gírela y vuelva a presionarla en la base de lijado.
- ◆ Cuando la punta se haya desgastado por ambos lados, extráigala de la base de lijado y monte una nueva.

Para que la recogida del polvo resulte óptima, asegúrese de utilizar el tipo correcto de papel de lija.

Sustitución de la punta en forma de diamante (Fig. G)

- ◆ Sustituya la punta en forma de diamante (9).
- ◆ Sustituya y apriete el tornillo (10).

Montaje y desmontaje del casete recolector de polvo (Fig. H)

- ◆ Deslice el casete recolector de polvo (2) en el conector (2a) y compruebe que esté bien colocado.
- ◆ Para extraer el casete recolector de polvo, tire de él hacia atrás y sáquelo por la parte trasera de la herramienta.

Uso

Advertencia. Deje que la herramienta funcione a su ritmo. No la sobrecargue.

Encendido y apagado

- ◆ Para encender la herramienta, pulse el interruptor de encendido/apagado (1) hacia la posición de avance I.
- ◆ Para apagar la herramienta, pulse el interruptor de encendido/apagado (1) hacia la posición de retroceso O.

Mantenimiento

La herramienta ha sido diseñada para que funcione durante un largo periodo de tiempo con un mantenimiento mínimo. El funcionamiento satisfactorio y continuo depende del buen cuidado de la herramienta y de una limpieza frecuente.

Advertencia. Antes de realizar cualquier tarea de mantenimiento, apague y desenchufe la herramienta o extraiga la batería.

- ◆ Limpie periódicamente las ranuras de ventilación de la herramienta con un cepillo suave o un paño seco.
- ◆ Limpie periódicamente la carcasa del motor con un paño húmedo. No utilice limpiadores abrasivos o a base de disolventes.

Protección del medioambiente



Recogida selectiva. Los productos y las baterías marcadas con este símbolo no se deben eliminar con los residuos domésticos normales.

Los productos y las baterías que contienen materiales que se puedan recuperar o reciclar reducen la demanda de materias primas.

Recicle los productos eléctricos y las baterías de conformidad con la normativa local. Puede obtener más información en www.2helpU.com

Datos técnicos

		FMCW210
Voltaje de entrada	V_{CC}	18
Oscilaciones (sin carga)	min.^{-1}	12000
Órbitas (sin carga)	min.^{-1}	12000
Superficie de la base de lijado	mm^2	8866
Peso	kg	0.88

		FMC687L
Tensión	V_{CC}	18
Capacidad	Ah	2.0
Tipo		1
Cargador		90608625
Voltaje de entrada	V_{CA}	230
Voltaje de salida	V_{CC}	18
Corriente	mA	2000

L_{pA} (presión acústica) 68 dB(A), incertidumbre (K) 3 dB(A)
L_{WA} (potencia acústica) 79 dB(A), incertidumbre (K) 3 dB(A)
Valores totales de vibración (suma vectorial triaxial) de acuerdo con la norma EN 60745:
Valor de emisión de vibraciones (empuñadura principal) (a_{H1}) 5,9 m/s^2 , incertidumbre (K) 1,5 m/s^2
Valor de emisión de vibraciones (empuñadura auxiliar) (a_{H2}) 7,3 m/s^2 , incertidumbre (K) 1,5 m/s^2

Declaración de conformidad CE DIRECTIVA DE MÁQUINAS



FMCW210 - Lijadora

Stanley Europe declara que los productos descritos en la "ficha técnica" cumplen con las siguientes directrices: 2006/42/CE, EN60745-1:2009+A11:2010, EN60745-2-4:2009+A11:2011

Estos productos también cumplen las Directivas 2014/30/UE y 2011/65/UE. Si desea obtener más información, póngase en contacto con Stanley Fat Max a través de la siguiente dirección o consulte el dorso del manual.

El abajo firmante es el responsable de la compilación del archivo técnico y realiza esta declaración en representación de Black & Decker.



R. Laverick
 Director de Ingeniería de Stanley Europe,
 Egide Walschaertsstraat14-18,
 2800 Mechelen, Bélgica
 17/08/2017

Garantía

Stanley Fat Max confía en la calidad de sus productos y ofrece a los consumidores una garantía de 12 meses a partir de la fecha de compra. Esta garantía es adicional a sus derechos legales y no los menoscaba en modo alguno. La garantía es válida dentro de los territorios de los Estados Miembros de la Unión Europea y del Área de Libre Comercio Europea.

Para reclamar la garantía, la reclamación se deberá presentar de conformidad con las condiciones de Stanley FatMax, y se deberá presentar el justificante de compra al vendedor o al agente técnico autorizado.

Las condiciones de la garantía de 1 años de Stanley FatMax y la ubicación de su agente técnico autorizado más cercano se pueden obtener en Internet en www.2helpU.com o poniéndose en contacto con su oficina local de Stanley FatMax en la dirección que se indica en este manual.

Visite nuestro sitio web www.stanley.eu/3 para registrar su nuevo producto FatMax y recibir noticias sobre nuevos productos y ofertas especiales.

Utilização pretendida

A sua lixadora Stanley Fat Max FMCW210 foi concebida para lixar madeira, metal, plástico e superfícies pintadas. Este aparelho destina-se a utilização profissional bem como a utilizadores privados não profissionais.

Instruções de segurança

Avisos de segurança gerais para ferramentas eléctricas



Atenção! Leia todos os avisos de segurança e todas as instruções. O não cumprimento dos seguintes avisos e instruções pode resultar em choque eléctrico, incêndio e/ou graves lesões.

Guarde todos os avisos e instruções para futura referência. A expressão "ferramenta eléctrica" utilizada a seguir refere-se a ferramentas eléctricas com ligação à corrente eléctrica (com cabo) ou com bateria (sem fios).

1. **Segurança na área de trabalho**
 - a. **Mantenha a área de trabalho limpa e bem iluminada.** As áreas desorganizadas ou escuras são propensas a acidentes.
 - b. **Não trabalhe com ferramentas eléctricas em áreas com risco de explosão, nas quais se encontrem líquidos, gases ou poeiras inflamáveis.** As ferramentas eléctricas criam faíscas que poderão inflamar estas poeiras ou vapores.
 - c. **Mantenha crianças e outras pessoas afastadas durante a utilização da ferramenta eléctrica.** As distrações podem levar à perda do controlo da ferramenta.
2. **Segurança eléctrica**
 - a. **As fichas da ferramenta eléctrica devem encaixar na tomada. Nunca modifique a ficha de forma alguma. Não utilize fichas adaptadoras com ferramentas eléctricas ligadas à terra.** As fichas não modificadas e as tomadas compatíveis reduzem o risco de choque eléctrico.
 - b. **Evite que o corpo entre em contacto com superfícies ligadas à terra, como tubos, radiadores, fogões e frigoríficos.** Se o seu corpo estiver "ligado" à terra, o risco de choque eléctrico é maior.
 - c. **As ferramentas eléctricas não podem ser expostas a chuva nem humidade.** A entrada de água numa ferramenta eléctrica aumenta o risco de choque eléctrico.
 - d. **Manuseie o cabo com cuidado. Nunca o utilize para transportar, puxar ou desligar a ferramenta eléctrica.**

- Mantenha o cabo afastado de fontes de calor, substâncias oleosas, extremidades aguçadas ou peças móveis.** Os cabos danificados ou emaranhados aumentam o risco de choque eléctrico.
- e. **Quando trabalhar com uma ferramenta eléctrica ao ar livre, utilize uma extensão adequada para esse fim.** A utilização de um cabo adequado para uso ao ar livre reduz o risco de choque eléctrico.
- f. **Se for inevitável trabalhar com uma ferramenta eléctrica num local húmido, utilize um dispositivo de corrente residual (RCD).** A utilização de um RCD reduz o risco de choque eléctrico.
- 3. Segurança pessoal**
- a. **Mantenha-se atento, observe o que está a fazer e seja prudente quando trabalhar com a ferramenta eléctrica. Não utilize uma ferramenta eléctrica quando estiver cansado ou sob o efeito de drogas, álcool ou medicamentos.** Um momento de distração durante a utilização de ferramentas eléctricas poderá resultar em ferimentos graves.
- b. **Utilize equipamento de protecção pessoal. Use sempre uma protecção ocular.** O equipamento de protecção, como, por exemplo, uma máscara contra o pó, sapatos de segurança antiderrapantes, um capacete de segurança ou uma protecção auditiva, usado nas condições apropriadas, reduz o risco de ferimentos.
- c. **Evite arranques involuntários. Certifique-se de que o botão está desligado antes de ligar a ferramenta à corrente eléctrica e/ou à bateria, e antes de levantar ou transportar a ferramenta.** Se mantiver o dedo sobre o interruptor ao transportar ferramentas eléctricas ou se as ligar à fonte de alimentação com o interruptor ligado, isso poderá dar origem a acidentes.
- d. **Retire eventuais chaves de ajuste ou chaves de fendas antes de ligar a ferramenta eléctrica.** Uma chave de fenda ou de ajuste que se encontre numa peça em rotação da ferramenta eléctrica poderá causar lesões.
- e. **Não tente chegar a pontos fora do alcance. Mantenha sempre os pés bem apoiados e um equilíbrio apropriado.** Desta forma, será mais fácil controlar a ferramenta eléctrica em situações inesperadas.
- f. **Use vestuário adequado. Não use roupa larga ou joias. Mantenha o cabelo, a roupa e as luvas afastados das peças móveis.** As roupas largas, as joias ou o cabelo comprido podem ficar presos nestas peças.
- g. **Se for prevista a montagem de dispositivos de extracção e recolha de poeiras, assegure-se de que estão ligados e que são utilizados de forma correcta.** A utilização de dispositivos de extracção de partículas pode reduzir os riscos relacionados com as mesmas.
- 4. Utilização e manutenção da ferramenta eléctrica**
- a. **Não sobrecarregue a ferramenta eléctrica. Utilize a ferramenta eléctrica correcta para o seu trabalho.** A ferramenta eléctrica adequada irá efetuar o trabalho de um modo mais eficiente e seguro se for utilizada de acordo com a capacidade para a qual foi concebida.
- b. **Não utilize a ferramenta eléctrica se o interruptor não puder ser ligado ou desligado.** Qualquer ferramenta eléctrica que não possa ser controlada através do interruptor de alimentação é perigosa e tem de ser reparada.
- c. **Desligue a ficha da tomada e/ou a bateria da ferramenta eléctrica antes de proceder a ajustes, trocar acessórios ou guardar ferramentas eléctricas.** Estas medidas de segurança preventivas reduzem o risco de ligar a ferramenta eléctrica acidentalmente.
- d. **Mantenha as ferramentas eléctricas que não estiverem a ser utilizadas fora do alcance das crianças. Não permita que a ferramenta eléctrica seja utilizada por pessoas não familiarizadas com a mesma ou que não tenham lido estas instruções.** As ferramentas eléctricas são perigosas nas mãos de pessoas que não possuam as qualificações necessárias para as manusear.
- e. **Proceda à manutenção das ferramentas eléctricas. Verifique se as partes móveis estão desalinhadas ou bloqueadas, se existem peças partidas ou qualquer outra situação que possa afetar o funcionamento das ferramentas eléctricas. Se a ferramenta eléctrica estiver danificada, esta não deve ser utilizada até que seja reparada.** Muitos acidentes têm como principal causa ferramentas eléctricas com uma manutenção insuficiente.
- f. **Mantenha as ferramentas de corte afiadas e limpas.** As ferramentas de corte sujeitas a uma manutenção adequada, com arestas de corte afiadas, emperram com menos frequência e controlam-se com maior facilidade.
- g. **Utilize a ferramenta eléctrica, os acessórios e as peças de ferramenta, etc., de acordo com estas instruções, considerando as condições de trabalho e a tarefa a ser executada.** A utilização da ferramenta eléctrica para fins diferentes dos previstos poderá resultar em situações perigosas.
- 5. Utilização e cuidados a ter com a ferramenta com baterias**
- a. **Carregue apenas com o carregador especificado pelo fabricante.** Um carregador adequado para um tipo de bateria pode causar um incêndio se for utilizado com outra bateria.
- b. **Utilize ferramentas eléctricas apenas com baterias específicas.** A utilização de outras baterias pode dar origem a risco de danos e incêndio.

- c. **Quando não utilizar a bateria, mantenha-a afastada de outros objectos metálicos, tais como cliques para papel, moedas, chaves, pregos, parafusos ou outros pequenos objectos metálicos que permitam fazer a ligação de um terminal para outro.** O curto-circuito de terminais das baterias pode causar queimaduras ou incêndio.
- d. **Em condições abusivas, pode derramar líquido da bateria, devendo evitar o contacto. Se tocar acidentalmente no líquido, lave bem com água. Se o líquido entrar em contacto com os olhos, consulte um médico.** O líquido derramado da bateria pode causar irritação ou queimaduras.
6. **Assistência**
- a. **A sua ferramenta eléctrica só deve ser reparada por pessoal qualificado e só devem ser colocadas peças sobressalentes originais.** Desta forma, é garantida a segurança da ferramenta eléctrica.

Avisos de segurança adicionais para ferramentas eléctricas



Atenção! Avisos de segurança adicionais para lixadoras



Atenção! O contacto ou a inalação de poeiras originadas pelas aplicações da lixadora poderá colocar em perigo a saúde do operador ou das pessoas presentes. Utilize uma máscara especificamente concebida para protecção contra poeiras e vapores e certifique-se de que as pessoas perto da área de trabalho também estão protegidas.

- ◆ **Segure a ferramenta eléctrica pelas áreas isoladas quando executar uma operação em que o acessório de lixagem possa entrar em contacto com a cablagem oculta.** Os acessórios em contacto com um cabo sob tensão poderão expor peças metálicas do sistema eléctrico da ferramenta e provocar um choque eléctrico ao operador.
- ◆ **Utilize grampos ou outro sistema prático para fixar e apoiar a peça numa plataforma estável.** Segurar a peça com a mão ou contra o corpo pode causar instabilidade e perda de controlo.



Atenção! Tenha especial cuidado ao lixar algumas madeiras (por exemplo, faia, carvalho) e metal que possam produzir poeiras tóxicas. Use uma máscara anti-poeira, especialmente concebida para protecção contra poeiras tóxicas e vapores e certifique-se de que as pessoas que se encontrem ou entre na área estão também protegidas.



Atenção! Ao lixar metais ferrosos, utilize esta ferramenta numa área com boa ventilação. Não utilize a ferramenta perto de líquidos, gases ou poeiras inflamáveis. As faíscas ou partículas quentes das escovas dos motores de lixar ou de escorvamento poderão inflamar os materiais combustíveis.



Atenção! Não lixe magnésio! Existe risco de incêndio ou explosão.

- ◆ Remova completamente toda a poeira depois de terminar.
- ◆ A utilização adequada é descrita neste manual de instruções. A utilização de qualquer acessório ou a realização de qualquer operação com esta ferramenta que não se inclua no presente manual de instruções poderá representar um risco de ferimentos e/ou danos materiais.

Segurança ao lixar pinturas



Atenção! Verifique as normas aplicáveis para lixar pinturas. Tenha atenção especial ao seguinte:

- ◆ Sempre que possível, utilize um extractor de vácuo para recolha de poeiras.
- ◆ Tenha especial cuidado quando lixar tinta que possa conter chumbo e produzir poeiras tóxicas:
 - ◆ Não permita que crianças ou mulheres grávidas entrem na área de trabalho.
 - ◆ Todas as pessoas na área de trabalho devem utilizar uma máscara de protecção especificamente concebida contra poeiras e vapores de pinturas com chumbo.
 - ◆ Não coma, beba ou fume na área de trabalho.
- ◆ Elimine de forma segura as partículas de poeira e outros detritos originados pela remoção.

Segurança de terceiros

- ◆ Este aparelho não deve ser utilizado por pessoas (incluindo crianças) com capacidades físicas, sensoriais ou mentais reduzidas ou com falta de experiência e conhecimentos, a menos que sejam acompanhadas ou tenham recebido formação sobre a utilização deste equipamento por uma pessoa responsável pela sua segurança.
- ◆ As crianças deverão ser vigiadas para que não mexam no aparelho.

Riscos residuais.

Podem surgir riscos residuais adicionais durante a utilização da ferramenta, que poderão não constar nos avisos de segurança incluídos. Estes riscos podem resultar de má utilização, uso prolongado, etc.

Mesmo com o cumprimento dos regulamentos de segurança relevantes e a implementação de dispositivos de segurança, alguns riscos residuais não podem ser evitados. Estes incluem:

- ◆ Ferimentos causados pelo contacto com peças em rotação/movimento.
- ◆ Ferimentos causados durante a troca de peças, lâminas ou acessórios.
- ◆ Ferimentos causados pela utilização prolongada de uma ferramenta. Quando utilizar uma ferramenta durante períodos prolongados, certifique-se de que faz pausas regularmente.
- ◆ Danos auditivos.
- ◆ Problemas de saúde causados pela inalação de poeiras resultantes da utilização da ferramenta (exemplo: trabalhos em madeira, especialmente carvalho, faia e MDF).

Vibração

Os valores de emissão de vibração declarados na secção de dados técnicos e na declaração de conformidade foram medidos de acordo com o método de teste padrão fornecido pela norma EN 60745 e podem ser utilizados para comparar ferramentas. O valor de emissão de vibração declarado pode ainda ser utilizado numa avaliação preliminar de exposição.

Atenção! O valor de emissão de vibração durante a utilização real da ferramenta eléctrica pode ser diferente do valor declarado, dependendo da forma como a ferramenta é utilizada. O nível de vibração pode aumentar acima do nível indicado. Quando avaliar a exposição da vibração para determinar as medidas de segurança exigidas pela Diretiva 2002/44/CE para proteger pessoas que utilizem regularmente ferramentas eléctricas na sua atividade profissional, deve ser considerada uma estimativa de exposição de vibração, as condições reais de utilização e o modo de utilização da ferramenta, incluindo ainda todas as partes do ciclo de funcionamento, como os períodos de inatividade e espera da ferramenta, para além do tempo de funcionamento.

Instruções de segurança adicionais para baterias e carregadores

Baterias

- ◆ Nunca tente abrir a bateria, seja qual for o motivo.
- ◆ Não exponha a bateria à água.
- ◆ Não armazene em locais onde a temperatura possa exceder os 40 °C.
- ◆ Carregue apenas a temperaturas ambiente entre 10 °C e 40 °C.
- ◆ Carregue apenas com o carregador fornecido com a ferramenta.
- ◆ Ao eliminar as baterias, siga as instruções indicadas na secção "Proteção do ambiente".



Não tente carregar baterias danificadas.

Carregadores

- ◆ Utilize o seu carregador BLACK+DECKER apenas para carregar a bateria da ferramenta com que foi fornecido. Outras baterias podem rebentar, provocando ferimentos e danos.
- ◆ Nunca tente carregar baterias não recarregáveis.
- ◆ Substitua os cabos defeituosos imediatamente.
- ◆ Não exponha o carregador à água.
- ◆ Não abra o carregador.
- ◆ Não manipule o interior do carregador.



O carregador deverá ser utilizado apenas em espaços interiores.



Antes da utilização, leia o manual de instruções.

Etiquetas colocadas na ferramenta

Os seguintes pictogramas, assim como o código de data, estão indicados na ferramenta:



Atenção! Para reduzir o risco de ferimentos, o utilizador deve ler o manual de instruções.



Utilize uma máscara anti-poeira.

Segurança eléctrica



Esta herramienta lleva un doble aislamiento, por lo que no requiere una toma a tierra. Compruebe siempre que el voltaje suministrado corresponda al indicado en la placa de características.

- ◆ Se o cabo de alimentação estiver danificado, terá de ser substituído pelo fabricante ou por um centro de assistência autorizado Stanley Fat Max para evitar acidentes.

Componentes

Esta ferramenta inclui algumas ou todas as características seguintes.

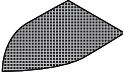
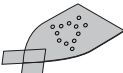
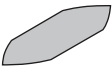
1. Interruptor de ligar/desligar
2. Extractor de poeiras
3. Base para lixadora
4. Ponta de longo alcance
5. Bateria

Acessórios

Os acessórios fornecidos com a sua lixadora dependem do modelo adquirido. Todos os acessórios listados abaixo estão disponíveis na nossa gama de produtos.

Se necessitar de um dos acessórios listados abaixo mas este não for fornecido com a sua lixadora, visite o nosso Web site em www.blackanddecker.eu.

O desempenho da sua ferramenta depende do acessório utilizado. Os acessórios Stanley Fat Max são construídos sob normas de alta qualidade e concebidos para melhorar o desempenho da ferramenta. Utilizando estes acessórios, tirará o melhor partido da sua ferramenta.

Item	Descrição
	<p>Malha de lixa de granulação 240. Para um acabamento fino para lixagem de detalhe grande. (Número de Peça - X39132-XJ)</p> <p>Malha de lixa de granulação 120. Para um acabamento médio para lixagem de detalhe grande. (Número de Peça - X39127-XJ)</p> <p>Malha de lixa de granulação 80. Para um acabamento irregular para lixagem de detalhe grande. (Número de Peça - X39122-XJ)</p>
	<p>Folha de lixa de detalhe grande com granulação 240 e duas pontas de substituição. Para um acabamento fino para lixagem de detalhe grande. (Número de Peça - X31019-XJ)</p> <p>Folha de lixa de detalhe grande com granulação 120 e duas pontas de substituição. Para um acabamento médio para lixagem de detalhe grande. (Número de Peça - X31009-XJ)</p> <p>Folha de lixa de detalhe grande com granulação 60 e duas pontas de substituição. Para um acabamento irregular para lixagem de detalhe grande. (Número de Peça - X31039-XJ)</p>
	<p>Folha de lixa para ponta de longo alcance com granulação 120. Para um acabamento médio para lixagem detalhada. (Número de Peça - X3277-XJ)</p>

Procedimento de carga (Fig. A)

Os carregadores Stanley Fat Max são concebidos para carregar baterias Stanley Fat Max.

- ◆ Ligue o carregador (5) numa tomada adequada antes de inserir a bateria (4).
- ◆ Insira a bateria (4) no carregador (5), como indicado na Figura A.
- ◆ O LED (5a) ficará a piscar, indicando que a bateria está a ser carregada.
- ◆ A conclusão do processo de carregamento é LED (5a), que permanece ligado de maneira contínua.

A bateria fica totalmente carregada e pode ser utilizada nesta altura ou pode deixá-la no carregador.

Nota: Recarregue as baterias descarregadas assim que possível após a utilização, caso contrário a duração da bateria pode diminuir consideravelmente. Para uma maior duração da bateria, não descarregue as baterias totalmente. Recomenda-se que as baterias sejam carregadas após cada utilização.

Deixar a bateria no carregador

O carregador (5) e a bateria (4) podem permanecer ligados com o LED aceso indefinidamente.

O carregador irá manter a bateria completamente carregada.

Notas importantes sobre carregamento

- ◆ É possível aumentar a duração e o desempenho da bateria se carregá-la quando a temperatura ambiente se situar entre 18 °C e 24 °C. NÃO carregue a bateria se a temperatura ambiente for inferior a +4,5 °C ou superior a +40,5 °C. Isto é importante e impede danos graves na bateria.
- ◆ O carregador e a bateria podem ficar demasiado quentes durante o carregamento. Isto é normal e não representa um problema. Para facilitar o arrefecimento da bateria, evite colocar o carregador ou a bateria num local quente, como num barracão metálico ou num reboque não isolado.
- ◆ Se a bateria não carregar correctamente:
 - ◆ Verifique a corrente no receptáculo, ligando uma lâmpada ou outro aparelho.
 - ◆ Verifique se o receptáculo está ligado a um comutador de iluminação que se desliga quando desliga as luzes.
 - ◆ Coloque o carregador e a bateria num local onde a temperatura seja de aproximadamente 18 °- 24 °C.
 - ◆ Se os problemas de carregamento persistirem, leve a ferramenta, a bateria e o carregador para um centro de assistência local.
- ◆ A bateria deve ser recarregada se não fornecer energia suficiente durante trabalhos que tenham sido efectuados facilmente.

NÃO CONTINUE a utilizar o aparelho nestas condições. Siga o procedimento de carregamento. Pode também carregar uma bateria parcialmente utilizada sempre que quiser, porque não afecta a bateria.

- ◆ Os materiais estranhos condutores como, por exemplo, mas não limitado a, lâ de aço, folha de alumínio ou qualquer acumulação de partículas metálicas devem ser removidos dos orifícios do carregador. Desligue sempre o carregador da fonte de alimentação quando não estiver inserida uma bateria no respectivo orifício. Desligue o carregador antes de proceder à limpeza.
- ◆ Não congele nem coloque o carregador dentro de água ou de outros líquidos.

Atenção! Não permita a entrada de líquidos no carregador.

Nunca tente abrir a bateria, seja qual for o motivo.

Se a estrutura de plástico da bateria se partir ou rachar, envie o aparelho para um centro de assistência para reciclagem.

Diagnóstico do carregador (Fig. B)

Consulte os indicadores indicados na Figura B para saber qual é o estado da carga da bateria.

Problemas na bateria

Se aparecer um padrão intermitente de problemas na bateria, interrompa o carregamento desta bateria. Entregue-a num centro de assistência ou num local de recolha para reciclagem.

Retardação de calor/frio

Quando o carregador detecta que uma bateria está demasiado quente ou fria, inicia automaticamente a retardação de calor/frio, interrompendo o processo de carga até a bateria atingir a temperatura adequada. Em seguida, o carregador muda automaticamente para o modo de carga. Esta função assegura a duração máxima da bateria. Uma bateria fria fica carregada a uma taxa mais lenta do que uma bateria quente. A bateria irá carregar a essa taxa mais lenta durante todo o ciclo de carga e não recupera a taxa de carga máxima, mesmo que a bateria aqueça.

Inserir e retirar a bateria da ferramenta

Instalar a bateria (Fig. C)

- ◆ Insira a bateria (4) na base da ferramenta até ouvir um som de encaixe (Fig. C)
- ◆ Certifique-se de que a bateria está totalmente encaixada na posição.

Retirar a bateria (Fig. D)

- ◆ Prima o botão de libertação da bateria (4a), como indicado na Figura D e retire a bateria (4) da base da ferramenta.

Montagem

Atenção! Antes da montagem, certifique-se de que a ferramenta está desligada e que a bateria é retirada.

Colocar a malha de lixa (Fig. E)

- ◆ Segure a ferramenta com a base para lixadora virada para cima.
- ◆ Coloque a malha de lixa (6) na base para lixadora, certificando-se de que os orifícios da folha ficam alinhados com os orifícios da base.

Colocar folhas de lixa (Fig. F - Acessório opcional)

- ◆ Destaque as duas pontas adicionais em forma de diamante (8) da folha de lixa (7).

A ponta em forma de diamante (8) pode ser invertida e substituída quando estiver gasta.

- ◆ Quando a parte da frente da ponta (8) estiver gasta, solte-a da folha, inverta-a e pressione-a de novo contra a base para lixadora.
- ◆ Quando toda a ponta estiver gasta, retire-a da base para lixadora e coloque uma nova.

Para uma recolha ideal de poeiras, certifique-se de que utiliza o papel de lixa correcto.

Substituir a ponta em forma de diamante (Fig. G)

- ◆ Substitua a ponta em forma de diamante (9).
- ◆ Fixe e aperte o parafuso (10).

Colocar e remover o extractor de poeiras (Fig. H)

- ◆ Faça deslizar o extractor de poeiras (2) no conector (2a) certifique-se de que está colocado com firmeza.
- ◆ Para remover o extractor de poeiras, puxe-o para a parte de trás e para fora da ferramenta.

Utilização

Atenção! Não altere o ritmo de funcionamento da ferramenta. Não sobrecarregue.

Ligar e desligar

- ◆ Para ligar a ferramenta, prima o interruptor ligar/desligar (1) para a posição I (frente).
- ◆ Para desligar a ferramenta, prima o interruptor ligar/desligar (1) para a posição O (frente).

Manutenção

A sua ferramenta foi concebida para funcionar por um longo período de tempo com uma manutenção mínima. Uma utilização continuamente satisfatória depende de uma manutenção apropriada da ferramenta e de uma limpeza regular.

Atenção! Antes de proceder a qualquer acção de manutenção, desligue a ferramenta e retire a ficha da tomada ou retire a bateria.

- ◆ Limpe regularmente as aberturas de ventilação da ferramenta com uma escova suave ou um pano seco.
- ◆ Limpe regularmente o compartimento do motor com um pano húmido. Não utilize produtos de limpeza abrasivos ou à base de dissolventes.

Declaração de conformidade CE

DIRECTIVA "MÁQUINAS"



FMCW210 - Lixadeira

A Stanley Europe declara que os produtos descritos em "dados técnicos" estão em conformidade com as seguintes normas:

2006/42/CE, EN60745-1:2009+A11:2010, EN60745-2:2009+A11:2011

Estes produtos estão também em conformidade com a Directiva 2014/30/UE e 2011/65/UE. Para obter mais informações, contacte a Stanley Fat Max na morada indicada ou consulte o verso do manual.

O signatário é responsável pela compilação do ficheiro técnico e efetua esta declaração em nome da Black & Decker.

R. Laverick

Director de Engenharia Stanley Europe,
Egide Walschaertsstraat14-18,
2800 Mechelen, Bélgica
17/08/2017

Proteção do ambiente



Faça uma recolha de lixo seletiva. Os produtos e as baterias assinaladas com este símbolo não devem ser eliminados juntamente com o lixo doméstico normal.

Os produtos e as baterias contêm materiais que podem ser recuperados ou reciclados, reduzindo assim a necessidade de matérias-primas.

Recicle os produtos eléctricos e as baterias de acordo com as disposições locais. Estão disponíveis mais informações em www.2helpU.com

Dados técnicos

		FMCW210
Tensão de entrada	V_{CC}	18
Oscilações (sem carga)	min^{-1}	12000
Órbitas (sem carga)	min^{-1}	12000
Superfície de base para lixadora	mm^2	8866
Peso	kg	0,88

		FMC687L
Tensão	V_{CC}	18
Capacidade	Ah	2,0
Tipo		1
		90608625
Tensão de entrada	V_{AC}	230
Voltagem de saída	V_{CC}	18
Corrente	mA	2000

L_{pA} (pressão acústica) 68 dB(A), imprecisão (K) 3 dB(A)
L_{WA} (potência acústica) 79 dB(A), imprecisão (K) 3 dB(A)
Valores totais de vibração (soma de vetores triaxiais) de acordo com EN 60745:
Valor de emissão de vibrações (punho principal) (a_{H1}) 5,9 m/s^2 , imprecisão (K) 1,5 m/s^2
Valor de emissão de vibrações (punho aux.) (a_{H2}) 7,3 m/s^2 , imprecisão (K) 1,5 m/s^2

Garantia

A Stanley Fat Max confia na qualidade dos seus produtos e oferece aos clientes uma garantia de 12 meses a partir da data de compra. Esta garantia é um complemento dos seus direitos estabelecidos por lei, não os prejudicando de forma alguma. A garantia é válida nos Estados-membros da União Europeia e nos países-membros da Zona Europeia de Comércio Livre.

Para accionar a garantia, esta deve estar em conformidade com os termos e condições da Stanley Fat Max e terá de apresentar comprovativos de compra ao vendedor ou a um agente de reparação autorizado.

Os termos e condições da garantia de 1 ano da Stanley Fat Max e a localização do agente de reparação autorizado mais próximo pode ser obtido na Internet em www.2helpU.com ou contactando uma filial da Stanley Fat Max, cuja morada está indicada neste manual.

Visite o nosso Website www.stanley.eu/3 para registar o novo produto Stanley Fat Max e manter-se actualizado relativamente a novos produtos e ofertas especiais.

Avsedd användning

Din Stanley Fat Max FMCW210-slipmaskin är avsedd för slipning av trä, metall, plast och målade ytor. Apparaten är avsedd för såväl yrkesanvändare som privatkonsumenter.

Säkerhetsinstruktioner

Allmänna säkerhetsanvisningar för elverktyg



Varning! Läs alla säkerhetsvarningar och instruktioner. Fel som uppstår till följd av att varningarna och instruktionerna som listas nedan inte följts kan orsaka elstötar, brand och/eller allvarliga kroppsskador.

Spara alla säkerhetsföreskrifter och anvisningar för framtida bruk. Begreppet "Elverktyg" i alla varningar som listas nedan avser nätdrivna elverktyg (med nätsladd) och batteridrivna elverktyg (sladdlösa).

1. Säkerhet på arbetsplatsen

- Se till att arbetsområdet är rent och väl belyst.** Belamrade och mörka områden inbjuder till olyckor.
- Använd inte elverktyget i explosionsfarlig omgivning, t.ex. i närheten av brännbara vätskor, gaser eller damm.** Elverktyg skapar gnistor som kan antända damm eller ångor.
- Håll barn och åskådare på avstånd vid arbete med elverktyget.** Distractioner kan göra att du förlorar kontrollen.

2. Elsäkerhet

- Elverktygets stickkontakt måste passa i eluttaget. Modifiera aldrig kontakten på något sätt. Använd inga adapterkontakter tillsammans med jordade elverktyg.** Icke modifierade kontakter och passande uttag minskar risken för elektrisk stöt.
- Undvik kroppskontakt med jordade ytor, t.ex. rör, värmelement, spisar och kylskåp.** Det finns en ökad risk för elektrisk stöt om din kropp är jordansluten eller jordad.
- Utsätt inte elverktyget för regn eller våta omgivningar.** Vatten som kommer in i ett elverktyg ökar risken för elektrisk stöt.
- Misshandla inte nätsladden. Använd aldrig sladden för att bära, dra eller koppla bort elverktyget från uttaget. Håll sladden borta från värme, olja, skarpa kanter eller rörliga delar.** Skadade eller tilltrasslade sladdar ökar risken för elektrisk stöt.
- Använd en förlängningsladd som lämpar sig för utomhusbruk när du arbetar med elverktyg utomhus.** Användning av en sladd som är lämplig för utomhusbruk minskar risken för elektriska stötar.

- Om du måste använda ett elverktyg på en fuktig plats, bör du använda en strömförsörjning med jordfelsbrytare.** Användning av en jordfelsbrytare minskar risken för elektrisk stöt.

3. Personlig säkerhet

- Var uppmärksam, se på vad du gör och använd sunt omdöme när du använder elverktyget. Använd inte ett elverktyg när du är trött eller påverkad av droger, alkohol eller mediciner.** Ett ögonblicks ouppmärksamhet när du arbetar med elektriska verktyg kan leda till allvarliga personsador.
- Använd personlig skyddsutrustning. Använd alltid skyddsglasögon.** Skyddsutrustning såsom dammfilterskydd, halksäkra säkerhetskor, skyddshjälm eller hörselskydd som används för lämpliga förhållanden minskar personsador.
- Förhindra oavsiktlig start. Kontrollera att strömbrytaren står i avstängt läge innan du ansluter verktyget till elnätet eller sätter i batteriet, samt innan du tar upp eller bär verktyget.** Att bära elektriska verktyg med fingret på strömbrytaren eller att koppla strömmen till elektriska verktyg när strömbrytaren är på leder till olyckor.
- Ta bort alla inställningsverktyg och skruvnycklar innan du startar elverktyget.** Ett verktyg eller en nyckel som har lämnats kvar på en roterande del av det elektriska verktyget kan orsaka kroppsskador.
- Sträck dig inte för mycket. Ha ordentligt föfäste och balans hela tiden.** Detta möjliggör bättre kontroll av elverktyget i oväntade situationer.
- Bär lämpliga kläder. Bär inte lösa kläder eller smycken. Håll hår, beklädnad och handskar borta från delar i rörelse.** Lösa kläder, smycken eller långt hår kan fastna i rörliga delar.
- Om enheten har dammsugnings- och uppsamlingsutrustning, se till att den är ansluten och används på korrekt sätt.** Användning av dammuppsamling kan minska dammrelaterade risker.

4. Användning och skötsel av elverktyg

- Överbelasta inte elverktyget. Använd rätt elverktyg för ditt arbete.** Det korrekta elverktyget gör arbetet bättre och säkrare vid den hastighet för vilket det konstruerades.
- Använd inte elverktyget om det inte kan startas och stängas av med strömbrytaren.** Ett elverktyg som inte kan kontrolleras med strömbrytaren är farligt och måste repareras.
- Dra stickproppen ur vägguttaget och/eller ta ut batteriet ur elverktyget innan inställningar görs, tillbehör byts ut eller elverktyget ställs undan.** Sådana förebyggande säkerhetsåtgärder minskar risken att oavsiktligt starta elverktyget.

- d. Förvara elverktyg utom räckhåll för barn och låt inte personer som är ovana vid elverktyget eller som inte läst denna bruksanvisning använda det. Elverktyg är farliga i händerna på ovana användare.
- e. Underhålla elverktyg. Kontrollera att rörliga komponenter fungerar felfritt och inte kärvar, att komponenter inte gått sönder eller skadats och inget annat föreligger som kan påverka elverktygets funktion. Om det är skadat, se till att elverktyget blir reparerat före användning. Många olyckor orsakas av dåligt underhållna elektriska verktyg.
- f. Håll skärande verktyg vassa och rena. Korrekt underhållna kapverktyg med vassa skär är mindre troliga att de fastnar och är lättare att kontrollera.
- g. Använd elverktyg, tillbehör, bits m.m. enligt dessa anvisningar, samtidigt som arbetsförhållandena och det arbete som ska utföras beaktas. Användning av elverktyget för andra uppgifter än vad som avsetts kan resultera i farliga situationer.
5. Användning och skötsel av batteridrivet verktyg
- a. Ladda endast med den laddare som är specificerad av tillverkaren.
- En laddare som passar en batterityp kan medföra brandrisk om den används ihop med ett annat batteri.
- b. Använd endast de batteripaket som är speciellt avsedda för elverktyget. Användning av andra batteripaket kan leda till personsador eller eldsvåda.
- c. När batteriet inte används ska du hålla det åtskilt från metallföremål som gem, mynt, nycklar, spik, skruvar och andra små metallföremål som kan orsaka kortslutning mellan batteriets poler. Kortslutning av batteripolerna kan leda till brännskador eller eldsvåda.
- d. Under olämpliga förhållanden kan vätska spruta ut från batteriet. Undvik kontakt. Vid oavsiktlig kontakt, spola med vatten. Om vätskan kommer i kontakt med ögonen, sök också läkarhjälp. Vätska som sprutar ur batteriet kan orsaka sveda och brännskador.
6. service
- a. Låt en kvalificerad reparatör som bara använder identiska reservdelar utföra service på elverktyget. Detta säkerställer att elverktygets säkerhet bibehålles.

Ytterligare säkerhetsanvisningar för elverktyg



Varning! Ytterligare säkerhetsanvisningar för slipmaskiner



Varning! Slipning ger upphov till damm som kan skada den som använder verktyget och andra i närheten vid kontakt eller inandning. Använd en specialkonstruerad ansiktsmask som skyddar mot damm och ångor och se till att personer som vistas inom eller i närheten av arbetsområdet också är skyddade.

- ◆ Håll verktyget i de isolerade greppytorna vid arbete där det skärande tillbehöret riskerar att komma i kontakt med dolda elledningar. Om ett tillbehör kommer i kontakt med en strömförande ledning kan verktygets metalldelar bli strömförande och ge dig en elektrisk stöt.
- ◆ Använd klämmor eller något annat praktiskt sätt att stödja arbetsstycket vid ett stabilt underlag. Att hålla arbetet för hand eller mot kroppen är instabilt och kan göra att du förlorar kontrollen.



Varning! Var extra försiktig vid slipning av vissa träslag (t.ex. bok, ek) och metall eftersom det kan produceras giftig damm. Använd ett andningsskydd som konstruerats speciellt för skydd mot giftigt damm och rök och se till att personer inom eller som kommer in i arbetsområdet också skyddas.



Varning! Använd det här verktyget på en plats med god ventilation vid slipning av järnhaltiga metaller. Använd inte verktyget i närheten av brandfarliga vätskor, gaser eller damm. Gnistor eller varma partiklar från slipningen eller ljusbågar från motorn kan antända brännbart material.



Varning! Slipa inte magnesium! Det finns risk för brand eller explosioner.

- ◆ Var noga med att ta bort allt slipdamm när slipningen har avslutats.
- ◆ Avsedd användning beskrivs i denna bruksanvisning. Om andra tillbehör eller tillsatser används, eller om någon annan åtgärd än de som rekommenderas i den här bruksanvisningen utförs med verktyget kan personer och/eller egendom ta skada.

Säkerhet vid slipning av målarfärg



Varning! Lakta gällande föreskrifter vid slipning av målarfärg. Var särskilt uppmärksam på följande:

- ◆ Använd om möjligt dammsugningsutrustning.
- ◆ Var särskilt försiktig när du slipar bort färg som eventuellt innehåller bly och som kan avge giftigt slipdamm:
 - ◆ Låt aldrig barn eller gravida kvinnor vistas på arbetsplatsen.

- ◆ Alla människor som vistas på arbetsplatsen ska använda en specialkonstruerad ansiktsmask som skyddar mot blyhaltigt damm eller ångor.
- ◆ Ät, drick och rök inte på arbetsplatsen.
- ◆ Släng damm och annat avlägsnat avfall på miljösäker plats.

Andras säkerhet

- ◆ Denna apparat är inte avsedd att användas av personer (inklusive barn) med reducerad fysisk, sensorisk eller mental förmåga eller med begränsad erfarenhet eller kunskap såvida inte de är under uppsikt eller fått instruktioner om användning av apparaten av en person som är ansvarig för deras säkerhet.
- ◆ Barn bör övervakas för att garantera att de inte leker med apparaten.

Övriga risker.

Ytterligare risker som inte finns med i de bifogade säkerhetsanvisningarna kan uppstå när verktyget används. Dessa risker kan uppstå vid felaktig eller långvarig användning, etc. Även om alla relevanta säkerhetsanvisningar följs och säkerhetsanordningar används kan vissa ytterligare risker inte undvikas. Dessa omfattar:

- ◆ Skador orsakade av att roterande/rörliga delar vidrörs.
- ◆ Skador som uppstår vid byte av delar, blad eller tillbehör.
- ◆ Skador som orsakas av långvarig användning av ett verktyg. Se till att regelbundet ta vilopausar när du använder ett verktyg under en längre period.
- ◆ Hörselnedsättning.
- ◆ Hälsorisker orsakade av inandning av damm när redskapet används (exempel: arbete med trä, särskilt ek, bok och MDF)

Vibrationer

De vibrationsvärden som anges i avsnitten Tekniska data och deklarationen om överensstämmelse har uppmätts i enlighet med en standardtestmetod föreskriven i EN 60745 och kan användas för jämförelse med andra verktyg. Det angivna vibrationsvärdet kan även användas för en preliminär bedömning av exponeringen.

Varning! Vibrationsvärdet under faktisk användning av elverktyget kan skilja sig från det uppgivna värdet beroende på hur verktyget används. Vibrationsnivån kan överstiga den uppgivna nivån.

Vid uppskattningar av exponering för vibrationer i syfte att bedöma vilka säkerhetsåtgärder som är nödvändiga enligt 2002/44/EG för att skydda personer som regelbundet använder elverktyg i arbetet ska man utgå från de faktiska omständigheter under vilka elverktyget används och sättet på vilket det används. Bedömningen ska även ta hänsyn till alla moment i arbetscykeln, t.ex. när verktyget är avstängt och när det går på tomgång såväl som när det faktiskt används.

Ytterligare säkerhetsinstruktioner för batterier och laddare

Batterier

- ◆ Försök aldrig öppna batteriet.
- ◆ Utsätt inte batteriet för vatten.
- ◆ Förvara inte på platser där temperaturen kan bli högre än 40 °C.
- ◆ Ladda endast vid temperaturer mellan 10 °C och 40 °C.
- ◆ Ladda endast med hjälp av laddare som medföljer verktyget.
- ◆ Följ instruktionerna som anges i avsnittet "Skydda miljön" när du kastar batterierna.



Försök inte ladda skadade batterier.

Laddare

- ◆ Använd endast laddaren från BLACK+DECKER för att ladda batteriet i det redskap som laddaren levererades med. Andra batterier kan spricka och orsaka personskador och andra skador.
- ◆ Försök aldrig ladda batterier som inte är uppladdningsbara.
- ◆ Byt defekta sladdar omgående.
- ◆ Utsätt inte laddaren för vatten.
- ◆ Öppna inte laddaren.
- ◆ Gör ingen åverkan på laddaren.



Laddaren är endast avsedd för inomhusbruk.



Läs bruksanvisningen före användning.

Etiketter på verktyget

Följande symboler tillsammans med datumkoden är synliga på verktyget:



Varning! Läs bruksanvisningen före användning för att minska risken för personskador.



Använd en skyddsmask.

Elsäkerhet



Esta herramienta lleva un doble aislamiento, por lo que no requiere una toma a tierra. Compruebe siempre que el voltaje suministrado corresponda al indicado en la placa de características.

- ◆ Om nätsladden är skadad måste den bytas ut av tillverkaren eller en auktoriserad Stanley Fat Max-verkstad för att farliga situationer ska undvikas.

Funktioner

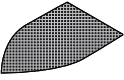
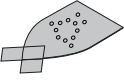
Detta verktyg har några eller samtliga av följande funktioner.

1. Strömbrytare
2. Dammuppsamlingskasset
3. Basplatta
4. Fingertillsats
5. Batteri

Tillbehör

Slipmaskinen levereras med olika tillbehör beroende på vilken modell du köpt. Alla tillbehör som visas nedan finns tillgängliga i vårt sortiment. Om du vill ha ett tillbehör som visas nedan men inte levereras tillsammans med din slipmaskin kan du gå till vår webbplats www.blackanddecker.eu.

Verktygets prestanda beror på vilka tillbehör du använder. Stanley Fat Max-tillbehören är av hög kvalitet och konstruerade för att fungera optimalt med verktyget. Med dessa tillbehör får du ut mesta möjliga av verktyget.

Artikel	Beskrivning
	Slipnät med storlek 240. För slät yta på stora detaljer. (Artikelnummer – X39132-XJ)
	Slipnät med storlek 120. För medelslät yta på stora detaljer. (Artikelnummer – X39127-XJ)
	Slipnät med storlek 80. För grov yta på stora detaljer. (Artikelnummer – X39122-XJ)
	Sandpapper med storlek 240 och två utbytesspetsar. För slät yta på stora detaljer. (Artikelnummer – X31019-XJ)
	Sandpapper med storlek 120 och två utbytesspetsar. För medelslät yta på stora detaljer. (Artikelnummer – X31009-XJ)
	Sandpapper med storlek 60 och två utbytesspetsar. För grov yta på stora detaljer. (Artikelnummer – X31039-XJ)
	Sandpapper med storlek 120 för fingertillsats. För medelslät yta vid detalj slipning. (Artikelnummer – X3277-XJ)

Laddningsprocedur (bild A)

Stanley Fat Max-laddare är utformade för att ladda Stanley Fat Max-batteripaket.

- ◆ Koppla in laddaren (5) i lämpligt uttag innan batteripaketet (4) sätts in.
- ◆ Sätt i batteripaketet (4) i laddaren (5) på det sätt som bild A visar.
- ◆ Lysdioden (5a) blinkar vilket indikerar att batteriet laddas.
- ◆ När laddningen är klar indikeras detta av att lysdioden (5a) lyser kontinuerligt.

Batteriet är fulladdat och kan nu användas eller lämnas i laddaren.

Notera: Ladda urladdade batterier så snart som möjligt efter användning, i annat fall kan batterilivslängden minska betydligt. För att uppnå maximal batterilivslängd bör du inte ladda ur batteriet helt och hållet.

Vi rekommenderar att du laddar batterierna efter varje användning.

Lämna batteriet i laddaren

Laddaren (5) och batteripaketet (4) kan vara ansluten till vägguttaget hur länge som helst när indikatorn lyser. Laddaren ser till att batteriet hålls fräscht och fulladdat.

Viktiga anmärkningar gällande laddning

- ◆ Längsta livslängd och bästa prestanda uppnås om batteripaketet laddas då lufttemperaturen är mellan 18 °C och 24 °C. Ladda INTE batteripaketet i lufttemperaturer under +4,5 °C eller över +40,5 °C. Detta är viktigt eftersom det förhindrar allvarig skada på batteripaketet.
- ◆ Laddaren och batteripaketet kan bli för varma att vidröra under laddningen. Detta är normalt och indikerar inte något problem. För att möjliggöra kylning av batteripaketet, undvik att placera laddaren eller batteripaketet på en varm plats såsom i ett metallskjul eller i en oisolerad vagn.
- ◆ Om batteripaketet inte laddar korrekt:
 - ◆ Kontrollera eluttaget genom att ansluta en lampa eller någon annan apparat.
 - ◆ Kontrollera om uttaget är anslutet till en strömbrytare som stänger av strömmen när du släcker ljuset.
 - ◆ Flytta laddaren och batteripaketet till en plats där den omgivande temperaturen är ungefär 18 °C- 24 °C.
 - ◆ Om laddningsproblemen kvarstår, lämna verktyget, batteripaketet och laddaren till ditt lokala servicecenter.
- ◆ Batteripaketet måste laddas när de inte längre kan producera tillräckligt med energi för jobb som enkelt utfördes tidigare. FORTSÄTT INTE att använda det under dessa förhållanden. Följ laddningsproceduren. Du kan också ladda ett delvis använt paket när du så önskar utan att det har någon negativ effekt på batteripaketet.

- ◆ Främmande föremål som är ledande såsom, men inte begränsat till, stålull, aluminiumfolie eller ansamling av metallpartiklar bör hållas borta från laddningshållrummet. Koppla alltid ifrån laddaren från eluttaget när det inte finns något batteripaket i facket. Koppla ifrån laddaren vid rengöring.
- ◆ Frys inte eller sänk ned laddaren i vatten eller annan vätska.

Varning! Låt ingen vätska komma in i laddaren. Försök aldrig att öppna batteripaketet av någon anledning. Om plasthöljet på batteripaketet går sönder eller spricker, lämna det till ett servicecenter för återvinning.

Laddardiagnostik (bild B)

Se indikatorerna i bild B för laddningsstatus för batteripaketet.

Dåligt batteri

Om du ser ett blinkmönster för dåligt batteri, fortsätt då inte att ladda batteriet. Returnera det till ett servicecenter eller lämna det till batteriinsamlingen.

Varm/kall fördröjning

När laddaren upptäcker ett batteripaket som är för hett eller för kallt, kommer den automatiskt att starta en varm/kall fördröjning och avbryta laddningen tills batteriet har nått en lämplig temperatur. Laddaren växlar sedan automatiskt till laddningsläge. Denna funktion garanterar maximal batteripaketets livslängd. Ett kallt batteri kommer att ladda med en lägre hastighet jämfört med ett varmt batteripaket. Paketet kommer att laddas med en lägre hastighet genom hela laddningscykeln och kommer inte att återgå till maximal laddningshastighet även om batteriet blir varmt.

Montering och borttagning av batteripaketet från verktyget

Installera batteripaket (bild C)

- ◆ Sätt in batteriet (4) i verktygsfoten tills ett hörbart klick hörs (bild C)
- ◆ Se till att batteripaketet sitter helt på plats och är låst i positionen.

Ta bort batteripaketet (bild D)

- ◆ Tryck ned batterilåsknappen (4a) såsom visas i bild D och dra bort batteripaketet (4) från verktyget.

Montering

Varning! Innan montering, se till att verktyget är avstängt och att batteriet har tagits bort.

Montering av slipnät (bild E)

- ◆ Håll verktyget med slipbasplattan riktad uppåt.

- ◆ Placera slipnätet (6) på slipbasplattan och se till att hålen i papperet överensstämmer med hålen i plattan.

Montering av slippapper (bild F – valfritt tillbehör)

- ◆ Lossa de båda rombformade spetsarna (8) från slippapperet (7).

Den rombformade spetsen (8) kan vändas och bytas ut när den blir sliten.

- ◆ När den främre spetsen (8) är sliten lossar du den från papperet, vänder på den och trycker fast den på basplattan igen.
- ◆ När hela spetsen är utsliten tar du bort den från basplattan och monterar en ny spets.

För bästa dammupsamling ser du till att rätt sandpapperstyp används.

Byta rombformade spetsen (bild G)

- ◆ Byt den rombformade spetsen (9).
- ◆ Byt och dra åt skruven (10).

Montera och ta bort dammkassetten (bild H)

- ◆ Sätt dammkassetten (2) på anslutningen (2a) och se till att den sitter ordentligt.
- ◆ För att ta bort dammkassetten drar du den bakåt och bort från bakänden av verktyget.

Användning

Varning! Låt verktyget arbeta i sin egen takt. Överbelasta inte.

Slå på och stänga av

- ◆ Slå på verktyget genom att trycka strömbrytaren (1) framåt till läge I.
- ◆ Stäng av verktyget genom att trycka strömbrytaren (1) bakåt till läge O.

Underhåll

Detta verktyg har tillverkats för att fungera under lång tid med ett minimum av underhåll. Kontinuerlig tillfredsställande drift beror på ordentlig verktygsvård och regelbunden rengöring.

Varning! Innan något underhåll utförs måste verktyget stängas av och sladden dras ut ur vägguttaget eller batteripaketet tas bort.

- ◆ Rengör regelbundet ventilationsöppningarna i verktyget med en mjuk borste eller torr trasa.
- ◆ Rengör motorhöljet regelbundet med en fuktig trasa. Använd aldrig något slipande eller lösningsmedelsbaserat rengöringsmedel.

Skydda miljön



Separat insamling. Produkter och batterier som är markerade med denna symbol får inte kastas i de vanliga hushållssoporna.

Produkter och batterier innehåller material som kan återanvändas eller återvinnas för att minska behovet av råmaterial. **Återvinn elektriska produkter och batterier enligt lokala bestämmelser.** Närmare information finns tillgänglig på www.2helpU.com

Tekniska data

		FMCW210
Inspänning	V_{ac}	18
Svängningar (obelastad)	min^{-1}	12000
Varvtal (obelastad)	min^{-1}	12000
Slipbasyta	mm^2	8866
Vikt	kg	0.88

		FMC687L
Batteri		
Spänning	V_{DC}	18
Kapacitet	Ah	2.0
Typ		1
Laddare		90608625
Inspänning	V_{AC}	230
Utspänning	V_{DC}	18
Strömstyrka	mA	2000

L_{BA} (ljudnivå) 68 dB(A), osäkerhet (K) 3 dB(A)
L_{WA} (ljudeffekt) 79 dB(A), osäkerhet (K) 3 dB(A)
Totala vibrationsvärden (vektorsumman av tre axlar) enligt EN 60745:
Vibrationsvärde (huvudhandtag) (a_{H1}) 5,9 m/s^2 , osäkerhet (K) 1,5 m/s^2
Vibrationsvärde (hjälpbandtag) (a_{H2}) 7,3 m/s^2 , osäkerhet (K) 1,5 m/s^2

EG-försäkran om överensstämmelse MASKINDIREKTIVET



FMCW210 - slipmaskin

Stanley Europe garanterar att produkterna som beskrivs under "tekniska data" uppfyller:
2006/42/EG, EN60745-1:2009+A11:2010 EN60745-2-4:2009+A11:2011

De här produkterna överensstämmer även med direktiven 2014/30/EU och 2011/65/EU. För ytterligare information, kontakta Stanley Europe på följande adress eller se slutet av bruksanvisningen.

Undertecknad är ansvarig för sammanställningen av tekniska data och gör denna försäkran för Black & Decker.

R. Laverick
Director of Engineering Stanley Europe,
Egide Walschaertsstraat14-18,
2800 Mechelen, Belgien
17/08/2017

Garanti

Stanley Fat Max är säkra på kvaliteten hos denna produkt och erbjuder kunder 12 månaders garanti från inköpsdatumet. Garantin gäller utöver konsumentens rättigheter enligt lag och påverkar inte dessa. Garantin är giltig i de områden som tillhör medlemsstaterna i Europeiska unionen och det europeiska frihandelsområdet.

För yrkande under garantin måste yrkandet vara in enlighet med Stanley Fat Max villkor och du kommer att behöva skicka in bevis på köpet till försäljaren eller en auktoriserad reparatör. Villkoren för Stanley Fat Max ettåriga garanti och var du hittar din närmaste auktoriserade reparatör kan erhållas på internet på www.2helpU.com, eller genom att kontakta ditt lokala Stanley Fat Max kontor på adressen som angetts i denna bruksanvisning.

Besök vår webbplats www.stanley.eu/3 för att registrera din nya Stanley Fat Max produkt samt för att få information om nya produkter och specialerbjudanden.

Tiltenkt bruk

Sliperen Stanley Fat Max FMCW210 er utviklet for sliping av treverk, metall, plast og malte overflater. Dette apparatet er tiltenkt både fagarbeidere og private brukere.

Sikkerhetsinstruksjoner

Generelle sikkerhetsadvarsler for elektroverktøy



Advarsel! Les alle sikkerhetsadvarsler og alle instruksjoner. Hvis advarslene og anvisningene nedenfor ikke overholdes, kan det medføre elektrisk støt, brann og/eller alvorlige personskader.

Ta vare på alle advarsler og instruksjoner for fremtidig bruk. Uttrykket "elektroverktøy" i alle advarslene nedenfor gjelder for strømdrevne elektroverktøy (med ledning) og batteridrevne elektroverktøy (uten ledning).

1. Sikkerhet i arbeidsområdet

- Hold arbeidsområdet rent og godt opplyst.** Rotete eller mørke områder er en invitasjon til ulykker.
- Ikke arbeid med elektroverktøy i eksplosjonsfarlige omgivelser, for eksempel der det befinner seg brennbare væsker, gass eller støv.** Elektrisk verktøy skaper gnister som kan antenne støv eller gasser.
- Hold barn og andre personer unna når du bruker et elektroverktøy.** Distraksjoner kan føre til at du mister kontrollen.

2. Elektrisk sikkerhet

- Støpselet til verktøyet må passe til stikkkontakten. Aldri modifierer støpselet på noen måte. Ikke bruk adapterstøpsler til jordede elektriske verktøy.** Umodifiserte støpsler og stikkontakter som passer vil redusere risikoen for elektrisk sjokk.
- Unngå kroppskontakt med jordede overflater som rør, radiatorer, komfyrer og kjøleskap.** Det er økt risiko for elektrisk støt dersom kroppen din er jordat.
- Ikke utsett elektroverktøy for regn eller fuktighet.** Dersom det kommer vann inn i et elektrisk verktøy vil det øke risikoen for elektrisk sjokk.
- Unngå uforvarlig behandling av ledningen. Aldri bruk ledningen til å bære, trekke eller dra ut støpselet til det elektriske verktøyet. Hold ledningen borte fra varme, olje, skarpe kanter eller bevegelige deler.** Skadede eller innviklede ledninger øker risikoen for elektrisk sjokk.
- Når du bruker et elektroverktøy utendørs, må du bruke en skjøteledning som er egnet til utendørs bruk.** Bruk av en skjøteledning beregnet for utendørs bruk reduserer risikoen for elektrisk støt.

- Hvis du ikke kan unngå å bruke elektroverktøy på et fuktig sted, må du bruke en strømforsyning som er beskyttet med jordfeilbryter.** Bruk av jordfeilbryter (RCD) reduserer risikoen for elektrisk støt.

3. Personssikkerhet

- Vær oppmerksom, pass på hva du gjør, og vis fornuft når du arbeider med et elektroverktøy. Ikke bruk et elektrisk verktøy dersom du er trøtt eller er påvirket av medikamenter, narkotika eller alkohol.** Ett øyeblikks uoppmerksomhet under bruk av elektriske verktøy kan føre til alvorlig personskade.
- Bruk personlig verneutstyr. Bruk alltid vernebriller.** Verneutstyr slik som støvmaske, skliskre vernesko, hjelm, eller hørselsvern brukt under passende forhold vil redusere personskader.
- Forhindre utilsiktet start. Kontroller at bryteren står i posisjon "av" før du kobler til strømkilden og/eller batteripakken, og før du tar opp eller bærer verktøyet.** Å bære elektriske verktøy med fingeren på bryteren eller å sette inn støpselet mens elektriske verktøy har bryteren på øker faren for ulykker.
- Fjern eventuelt innstillingsverktøy eller skruverktøy før du slår på elektroverktøyet.** Et skruverktøy eller en nøkkel som fortsatt er festet til en roterende del av elektroverktøyet, kan føre til personskade.
- Ikke strekk deg for langt. Ha godt fofeste og stå støtt hele tiden.** Dette fører til at du har bedre kontroll over det elektriske verktøyet ved uventede situasjoner.
- Bruk egnede klær. Ikke ha på deg løstsittende klær eller smykker. Hold hår, antrekk og hansker borte fra bevegelige deler.** Løstsittende klær, smykker og langt hår kan bli fanget opp av bevegelige deler.
- Hvis det kan monteres støvavsug- og oppsamlingsinnretninger, må du forvise deg om at disse er tilkoblet og brukes på riktig måte.** Bruk av støvoppsamlere kan redusere støvrelaterte farer.

4. Bruk og behandling av elektroverktøy

- Ikke bruk makt på elektroverktøyet. Bruk det elektriske verktøyet som situasjonen krever.** Det riktige elektriske verktøyet vil gjøre jobben bedre og tryggere ved den hastigheten det ble konstruert for.
- Ikke bruk elektroverktøyet hvis du ikke kan slå det på og av med bryteren.** Ethvert elektrisk verktøy som ikke kan kontrolleres med bryteren er farlig og må repareres.
- Trekk støpselet ut av stikkkontakten og/eller koble fra batteripakken på elektroverktøyet før du utfører innstillinger, bytter tilbehør eller legger elektroverktøyet bort for lagring.** Slike preventive sikkerhetsforanstaltninger reduserer risikoen for å starte det elektriske verktøyet ved et uhell.

- d. **Elektroverktøy som ikke er i bruk, må oppbevares utilgjengelig for barn. Ikke la verktøyet bli brukt av personer som ikke er fortrolige med det, eller som ikke kjenner disse instruksjonene.** Elektriske verktøy er farlige i hendene på utrenede brukere.
- e. **Sørg for vedlikehold av elektroverktøy. Undersøk om bevegelige deler er feiljustert eller blokkert, om deler er skadet, og om det er andre forhold som kan påvirke elektroverktøets funksjon. Dersom det er skadet, få verktøyet reparert før neste bruk.** Mange ulykker forårsakes av dårlig vedlikeholdte verktøy.
- f. **Hold skjæreverktøy skarpe og rene.** Godt vedlikeholdte skjæreverktøy med skarpe skjærekanter setter seg mindre sannsynlig fast og er lettere å kontrollere.
- g. **Bruk elektroverktøy, tilbehør, bits osv. i henhold til disse instruksjonene. Ta hensyn til arbeidsforholdene og arbeidet som skal utføres.** Bruk av det elektriske verktøyet for oppgaver som er forskjellige fra de som er tiltenkt kan føre til en farlig situasjon.

5. Bruk og stell av batteriverktøy

- a. **Ladningen skal bare skje med den laderen som produsenten har spesifisert.**

En lader som passer for en type batteripakke kan føre til risiko for brann dersom den brukes på en annen batteripakke.

- b. **Bruk elektroverktøy bare sammen med spesifikt angitte batteripakker.** Bruk av andre batteripakker kan føre til risiko for personskade og brann.
- c. **Når batteripakken ikke er i bruk, må du oppbevare den atskilt fra andre metallgjenstander som binders, mynter, nøkler, spiker, skruer eller andre små metallgjenstander som kan opprette en forbindelse fra en terminal til en annen.** Kortslutning av batteripolene mot hverandre kan føre til brannskader eller brann.
- d. **Ved feilaktig bruk kan det komme væske ut av batteriet, unngå kontakt med den. Dersom du kommer i kontakt med den, skyll av med vann. Dersom du får væsken i øynene, søk legehjelp.** Væske som kommer ut av batteriet kan føre til irritasjon eller brannskader.

6. service

- a. **Elektroverktøyet skal repareres av kvalifisert personell og bare med originale reservedeler.** Dette vil sikre at verktøyet sikkerhet blir ivaretatt.

Ytterligere sikkerhetsadvarsler for elektroverktøy



Advarsel! Ekstra sikkerhetsadvarsler for slipe-maskiner



Advarsel! Kontakt med eller innånding av støv som oppstår ved pussing, kan være helseskadelig for brukeren og eventuelle personer i nærheten. Bruk en støvmaske som er spesielt utformet for å beskytte mot støv og damp/gass, og pass på at personer som er i eller kommer inn i arbeidsområdet, også er beskyttet.

- ◆ **Hold elektroverktøyet i de isolerte håndtakene når du utfører et arbeid der skjæretilbehøret kan komme i kontakt med skjulte ledninger.** Hvis skjæretilbehøret kommer i kontakt med en strømførende ledning, kan frittliggende metalldele på verktøyet bli strømførende, og brukeren kan få elektrisk støt.
- ◆ **Bruk tvinger eller annen praktisk måte å sikre og holde arbeidsstykket på et stabilt underlag.** Å holde arbeidsstykket i hendene eller mot kroppen er ustabil og kan føre til at du mister kontroll.



Advarsel! Vær spesielt forsiktig ved sliping av noen tresorter (f.eks. bøk, eik) og metall som kan produsere giftig støv. Bruk en støvmaske spesielt designet for beskyttelse mot giftig støv og røyk og påse at personer innenfor eller som kommer inn i arbeidsområdet også har beskyttelse.



Advarsel! Bruk dette verktøyet på et sted med god gjennomlufting når du sliper jernholdige metaller. Ikke bruk verktøyet i nærheten av brennbare væsker eller gasser eller brennbar støv. Gnister eller varme partikler fra sliping eller gnister fra motorbørstene kan antenne brennbar materiale.



Advarsel! Ikke slip magnesium! Det kan føre til brann eller eksplosjoner.

- ◆ Fjern alt støv grundig etter sliping.
- ◆ Bruksområdet er beskrevet i denne bruksanvisningen. Hvis du bruker annet tilbehør, kobler til annet utstyr eller bruker dette produktet til andre oppgaver enn det som er anbefalt i denne håndboken, kan det medføre fare for personskader og/eller skade på eiendom.

Sikkerhet ved sliping av malte overflater



Advarsel! Følg alltid nøye alle sikkerhetsinstruksjoner for sliping av maling. Vær spesielt oppmerksom på følgende:

- ◆ Bruk vakuumbtrekk til oppsamling av støv dersom det er mulig.

- ◆ Vær ekstra forsiktig når du pusser maling som kan inneholde bly og avgi giftig støv:
 - ◆ Ikke la barn eller gravide komme inn der du arbeider.
 - ◆ Alle som kommer inn i arbeidsområdet må bruke en maske spesielt utformet for å beskytte mot støv fra blymaling og damp.
 - ◆ Ikke spis, drikk eller røyk der du arbeider.
- ◆ Kvitt deg med støvpartikler og annet avfall på en trygg og miljøvennlig måte.

Andre personers sikkerhet

- ◆ Apparatet er ikke ment for bruk av personer (inkludert barn) med redusert fysiske, sensoriske eller mentale evner, eller mangel på erfaring og kunnskap, med mindre de får tilsyn eller har blitt opplært i bruk av apparatet av en person ansvarlig for deres sikkerhet.
- ◆ Barn må holdes under oppsyn, sørg for at de ikke leker med apparatet.

Andre risikoer.

Når verktøyet brukes, kan det oppstå ytterligere risikoer som kanskje ikke er beskrevet i de medfølgende sikkerhetsadvarslene. Disse risikoene kan bli forårsaket av feil bruk, langvarig bruk osv.

Selv om de relevante sikkerhetsbestemmelsene blir fulgt, og sikkerhetstiltakene blir gjennomført, kan visse gjenværende risikoer ikke unngås. Disse inkluderer:

- ◆ Personskader som forårsakes av berøring av en roterende/bevegelig del.
- ◆ Personskader som forårsakes av at en del, et blad eller tilbehør endres.
- ◆ Personskader som forårsakes av langvarig bruk av et verktøy. Når du bruker et verktøy i lange perioder, må du sørge for å ta regelmessige pauser.
- ◆ Hørselskader.
- ◆ Helsefarer som skyldes innånding av støv som dannes når du bruker verktøyet (for eksempel under arbeid med tre, spesielt eik, bøk og MDF.)

Vibrasjon

Vibrasjonsemisjonsverdien som er angitt under tekniske data og samsvarserklæring, er blitt målt i henhold til en standard testmetode som er angitt i EN 60745, og kan brukes til å sammenligne et verktøy med et annet. Den oppgitte vibrasjonsemisjonsverdien kan også brukes til en foreløpig vurdering av eksponering.

Advarsel! Vibrasjonsemisjonsverdien under faktisk bruk av elektroverktøyet kan avvike fra den oppgitte verdien avhengig av måten verktøyet blir brukt på. Vibrasjonsnivået kan øke over nivået som er oppgitt.

Når det vurderes vibrasjonseksponering for å avgjøre hvilke sikkerhetstiltak som kreves ifølge 2002/44/EF, for å beskytte personer som bruker elektroverktøy regelmessig til arbeidsformål, skal det, når vibrasjonseksponeringen anslås, tas hensyn til de faktiske bruksforholdene og måten verktøyet blir brukt på. Dette inkluderer å ta hensyn til alle deler av brukssyklusen, for eksempel når verktøyet er avslått, når det går på tomgang og når utløseren er trykket inn.

Ytterligere sikkerhetsinstruksjoner for batterier og ladere

Batterier

- ◆ Forsøk aldri å åpne av noen årsak.
- ◆ Ikke utsett batteriet for vann.
- ◆ Ikke oppbevar det på steder hvor temperaturen kan komme over 40 °C.
- ◆ Skal bare lades ved omgivelsestemperaturer mellom 10 °C og 40 °C.
- ◆ Bruk bare laderen som følger med apparatet.
- ◆ Følg instruksjonene i avsnittet «Miljøvern» når du skal kaste batterier.



Ikke forsøk å lade opp skadede batterier.

Ladere

- ◆ Bruk bare BLACK+DECKER-laderen til å lade batteriet i apparatet som laderen ble levert sammen med. Andre batterier kan sprekke og føre til personskade og materiell skade.
- ◆ Prøv aldri å lade ikke-oppladbare batterier.
- ◆ Skift ut defekte ledninger umiddelbart.
- ◆ Ikke utsett laderen for vann.
- ◆ Ikke åpne laderen.
- ◆ Ikke stikk gjenstander eller fingre inn i laderen.



Laderen er bare beregnet for innendørs bruk.



Les denne håndboken før bruk.

Etiketter på verktøyet

De følgende symbolene sammen med datokode vises på apparatet:



Advarsel! Brukeren må lese håndboken for å redusere risikoen for personskade.



Bruk en støvmaske.

Elektrisk sikkerhet



Dette verktøyet er dobbeltisolert. Jording er derfor ikke nødvendig. Kontroller alltid at strømforsyningen samsvarer med spenningen på merkeskiltet.

- ◆ Hvis strømledningen blir skadet, må den skiftes av produsenten eller et autorisert Stanley Fat Max-servicesenter, slik at man unngår farlige situasjoner.

Funksjoner

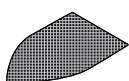
Dette verktøyet har noen av eller alle følgende egenskaper.

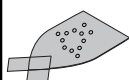

1. På-/av-bryter
2. Støvkassett
3. Slipebase
4. Fingertilbehør
5. Batteri

Tilbehør

Hvilket tilbehør som følger med slipemaskinen, avhenger av modellen du har kjøpt. Alt tilbehøret som er oppgitt nedenfor, er tilgjengelig i vår serie. Hvis du ønsker tilbehør som er oppgitt nedenfor, men som ikke følger med slipemaskinen, kan du gå til våre nettsider på www.blackanddeckeu.com.

Verktøyets ytelse avhenger av hva slags tilbehør som brukes. Stanley Fat Max-tilbehør er produsert etter høye kvalitetsstandarder og er konstruert for å bedre verktøyets ytelse. Hvis du bruker dette tilbehøret, får du mest mulig ut av verktøyet ditt.

Artikkel	Beskrivelse
	Slipepapir med kornstørrelse 240. For fin overflate og sliping av store detaljer. (Artikkelnummer - X39132-XJ)
	Slipepapir med kornstørrelse 120. For middels fin overflate og sliping av store detaljer. (Artikkelnummer - X39127-XJ)
	Slipepapir med kornstørrelse 80. For grov overflate og sliping av store detaljer. (Artikkelnummer - X39122-XJ)

Artikkel	Beskrivelse
	Slipepapir med kornstørrelse 240 for sliping av store detaljer – med to ekstra spisser. For fin overflate og sliping av store detaljer. (Artikkelnummer - X31019-XJ)
	Slipepapir med kornstørrelse 120 for sliping av store detaljer – med to ekstra spisser. For middels fin overflate og sliping av store detaljer. (Artikkelnummer - X31009-XJ)
	Slipepapir med kornstørrelse 60 for sliping av store detaljer – med to ekstra spisser. For grov overflate og sliping av store detaljer. (Artikkelnummer - X31039-XJ)
	Slipepapir med kornstørrelse 120 for detaljfingersliping. For middels fin overflate og sliping av detaljer. (Artikkelnummer - X3277-XJ)

Ladeprosedyre (Fig. A)

Stanley Fat Max ladere er utviklet for å lade Stanley Fat Max batteripakker.

- ◆ Plugg inn laderen (5) i en passende stikkontakt før du setter inn batteripakken (4).
- ◆ Sett batteripakken (4) inn i laderen (5) som vist i figur A.
- ◆ LED-lyset (5a) blinker for å varsle om at batteriet lades.
- ◆ Fullført lading vises ved at den grønne LED-en (5a) er på kontinuerlig.

Pakken er da fullt oppladet og kan brukes, eller den kan bli stående i laderen.

Merk: Lad opp utladede batterier så fort som mulig etter bruk, ellers vil batteriets levetid forringes. For lengst batterilevetid, ikke lad ut batteriet helt.

Det anbefales at du lader batteriet etter hver bruk.

La batteriet være i laderen

Laderen (5) og batteripakken (4) kan forbli tilkoblet med lysende LED-lys i ubegrenset tid.

Laderen holder batteripakken klar og fulladet.

Viktige merknader om lading

- ◆ Lang levetid og best ytelse oppnås dersom batteripakken lades med lufttemperatur mellom 65°F og 75°F (18°-24°C).

IKKE lade batteripakken med lufttemperatur under +40°F (+4,5°C) eller over +105°F (+40,5°C). Dette er viktig og vil forhindre alvorlig skade på batteripakken.

- ◆ Laderen og batteripakken kan være varme å ta på under lading. Dette er normalt og er ikke et tegn på et problem. Før å muligjøre bedre kjøling av batteripakken etter bruk, unngå å oppbevare laderen i varme omgivelser slik som et metallskur eller en uisolert trailer.
- ◆ Hvis batteripakken ikke lader skikkelig:
 - ◆ Kontroller strømmen i kontakten ved å sette inn en lampe eller et annet apparat.
 - ◆ Kontroller om stikkkontakten er koblet til en lysbryter som slår av strømmen når du slår av lyset.
 - ◆ Flytt laderen og batteripakken til et sted hvor omgivelsestemperaturen er omtrent 65°F - 75°F (18° - 24°C).
 - ◆ Hvis ladeproblemene vedvarer, ta verktøyet, batteripakken og laderen til ditt lokale servicesenter.
- ◆ Denne batteripakken må lades opp når den slutter å gi nok strøm til jobber som ble utført litt tidligere. I så fall, IKKE fortsett å bruke verktøyet. Følg ladeprosedyren. Du kan også lade opp en halvtladdet pakke når som helst uten at det har noen effekt på batteripakken.
- ◆ Fremmedlegemer som kan lede strøm, inkludert, men ikke begrenset til stålull, aluminiumsfolie eller annen ansamling av metalliske partikler, må holdes unna åpningene i laderen. Kople alltid laderen fra strømtilførselen når det ikke er en batteripakke i hulrommet. Kople fra laderen før rengjøring.
- ◆ IKKE sprut på eller senke ned i vann eller andre væsker.

Advarsel! Ikke la væske komme inn i laderen. Forsøk aldri å åpne batteripakken av noen årsak.

Dersom plasthuset på batteripakken knekker eller får sprekker, send den til et servicesenter for avhending.

Laderdiagnose (Fig.B)

Se indikatorene i figur B for ladestatus av batteripakken.

Dårlig batteri

Hvis du ser dette blinkemønsteret for dårlig batteri, skal du ikke fortsette å lade batteriet. Returner det til et servicesenter eller et oppsamlingssted for resirkulering.

Ventetid for varm/kald pakke

Dersom laderen detekterer et batteripakke som er for varmt eller for kaldt, vil den automatisk starte en "varm/kald pakke forsinkelse", og venter med å lade til batteripakken har passende temperatur. Laderen vil deretter automatisk skifte til lademodus for pakken. Denne funksjonen sikrer maksimal levetid på batteripakken. En kald batteripakke vil lade med lavere hastighet enn en varm batteripakke. Batteripakken vil lade langsommere gjennom hele ladesyklusen, og vil ikke gå tilbake til maksimal ladehastighet selv om batteriet blir varmt.

Sette inn og ta av batteripakke på verktøyet

Installere batteripakken (Fig. C)

- ◆ Sett batteriet (4) inn i verktøyfoten til du hører et klikk når det går i lås (Fig. C)
- ◆ Pass på at batteripakken sitter godt og er låst på plass.

Ta ut batteripakken (Fig. D)

- ◆ Trykk på batteriutløserknappen (4a) som vist på figur D og dra batteripakken (4) ut av verktøyfoten.

Montering

Advarsel! Før monteringen må du passe på at apparatet er slått av og batteriet er tatt ut.

Sette på slipepapir (Fig. E)

- ◆ Hold verktøyet med slipebasen vendt oppover.
- ◆ Legg slipepapiret (6) på slipebasen. Pass på at hullene i slipepapiret ligger rett over hullene i basen.

Sette på slipepapir (Fig. F - valgfritt tilbehør)

- ◆ Ta av de to ekstra diamantformede slipeputtene (8) fra slipepapiret (7).

Det diamantformede hodet (8) kan snus og byttes når den er utslitt.

- ◆ Når den fremre delen av tuppen (8) er slitt, tar du det av fra papiret, snur det og trykker det fast på slipebasen igjen.
- ◆ Når et helt hode er slitt, fjerner du det fra slipebasen og setter på et nytt hode.

For optimal støvoppsamling er det viktig at du bruker riktig type slipepapir.

Utskifting av diamantformet tupp (Fig. G)

- ◆ Skifte diamantformet tupp (9).
- ◆ Sett inn igjen og stram holdeskruen (10).

Sette på og ta av støvkassetten (Fig. H)

- ◆ Skyv støvkassetten (2) på koblingen (2a) og pass på at den er sikkert festet.
- ◆ Fjern støvkassetten ved å trekke den bakover og av bakre ende av verktøyet.

Bruk

Advarsel! La verktøyet arbeide i sin egen hastighet. Må ikke overbelastes.

Slå på og av

- ◆ Når du skal slå verktøyet på, skyver du strømbryteren (1) fremover til posisjon I.
- ◆ Når du skal slå verktøyet av, skyver du strømbryteren (1) til posisjon O.

Vedlikehold

Verktøyet er konstruert for å være i drift over lengre tid med et minimum av vedlikehold. For at den skal fungere tilfredsstillende over tid, er det viktig å sørge for riktig stell av verktøyet og regelmessig renhold.

Advarsel! Før vedlikehold må verktøyet slås av og støpselet trekkes ut eller batteriet tas ut.

- ◆ Rengjør ventilasjonsåpningene i verktøyet jevnlig med en myk børste eller tørr klut.
- ◆ Rengjør motorhuset regelmessig med en fuktig klut. Ikke bruk slipende eller løsemiddelbaserte rengjøringsmidler.

Miljøvern



Separat avfallshåndtering. Produkter og batterier merket med dette symbolet skal ikke kastes i vanlig husholdningsavfall.

Produkter og batterier inneholder materialer som kan gjenbrukes eller gjenvinnes for å redusere behovet for nye råmaterialer. Vennligst lever elektrisk utstyr og batterier til gjenbruk i henhold til lokale regler. Mer informasjon finner du på www.2helpU.com

Tekniske data

		FMCW210
Inngangsspenning	V_{ac}	18
Svingninger (ubelastet)	min^{-1}	12000
Omdreininger (ubelastet)	min^{-1}	12000
Slipbaseoverflate	mm^2	8866
Vekt	kg	0,88

		FMC687L
Spenning	V_{DC}	18
Kapasitet	Ah	2,0
Type		1
Lader		90608625
Inngangsspenning	V_{AC}	230
Utgangsspenning	V_{DC}	18
Strøm	mA	2000

L_{pA} (lydtrykk) 68 dB(A), usikkerhet (K) 3 dB(A)
L_{WA} (lydeffekt) 79 dB(A), usikkerhet (K) 3 dB(A)
Totale vibrasjonsverdier (vektorsum fra tre retninger) bestemt i samsvar med EN 60745:
Vibrasjonsemissionsverdi (hovedhåndtak) (a_{Hv}) 5,9 m/s^2 , usikkerhet (K) 1,5 m/s^2
Vibrasjonsemissionsverdi (ekstrahåndtak) (a_{Hv}) 7,3 m/s^2 , usikkerhet (K) 1,5 m/s^2

EU-samsvarserklæring MASKINDIREKTIVET



FMCW210 – Sandslipper

Stanley Europe erklærer at disse produktene som er beskrevet under «Tekniske data» er i samsvar med: 2006/42/EC, EN60745-1:2009+A11:2010, EN60745-2-4:2009+A11:2011

Disse produktene er også i samsvar med direktiv 2014/30/EU og 2011/65/EU. Hvis du ønsker mer informasjon, kontakt Stanley Fat Max på følgende adresse, eller se på baksiden av bruksanvisningen.

Undertegnede er ansvarlig for utarbeidelsen av den tekniske dokumentasjonen og gir denne erklæringen på vegne av Black & Decker.

R. Laverick
Director of Engineering Stanley Europe,
Egide Walschaertsstraat 14–18,
2800 Mechelen, Belgia
17/08/2017

Garanti

Stanley Fat Max er trygg på kvaliteten av produktene sine og tilbyr en 12 måneders garanti fra kjøpsdato. Denne garantierklæringen kommer i tillegg til dine lovbestemte rettigheter og er ikke i konflikt med disse. Garantien er gyldig innen områdene tilhørende medlemslandene i den Europeiske Union (EU) og det Europeiske Frihandelsområdet (EFTA).

For å ta garantien i bruk må kravet være i samsvar med kjøpsbetingelsene fra Stanley Fat Max og du må vise kjøpskvittering til forhandleren eller til et autorisert serviceverksted.

Betingelsene for Stanley Fat Max 1 års garanti og adressen til din nærmeste autoriserte serviceverksted kan du finne på internett under www.2helpU.com, eller ved å kontakte ditt lokale Stanley Fat Max kontor, adressen er angitt i denne bruksanvisningen.

Besøk våre nettsider på www.stanley.eu/3 for å registrere ditt nye Stanley Fat Max-produkt og for å få informasjon om nye produkter og spesialtilbud.

Tilsigtet brug

Din Stanley Fat Max FMCW210-slibemaskine er designet til slibning af træ, metal, plastic og malede overflader. Dette apparat er beregnet til erhvervs-mæssige brugere og private ikke-erhvervs-mæssige brugere.

Sikkerhedsinstruktioner

Generelle sikkerhedsadvarsler vedrørende elværktøj



Advarsel! Læs alle sikkerhedsadvarsler og alle instruktioner. Hvis nedenstående advarsler og instruktioner ikke følges, er der risiko for elektrisk stød, brand og alvorlige kvæstelser.

Gem alle advarsler og instruktioner for fremtidig reference. Begrebet "elværktøj", der benyttes i nedenstående advarsler, henviser til netdrevet elværktøj (med netledning) eller batteridrevet elværktøj (uden netledning).

1. Sikkerhed i arbejdsområdet

- Hold arbejdsområdet rent og ordentligt oplyst.** Rodede eller mørke områder giver anledning til ulykker.
- Brug ikke elværktøj i eksplosive omgivelser, f.eks. hvor der er brændbare væsker, gasser eller støv.** Elværktøj danner gnister, der kan antænde støv eller dampe.
- Hold børn og omkringstående på afstand, når der arbejdes med elværktøj.** Distractioner kan medføre, at du mister kontrollen.

2. Elektricitet og sikkerhed

- Elværktøjets stik skal passe til kontakten. Stikket må aldrig modificeres på nogen måde. Undlad at bruge adapterstik sammen med jordforbundet elektrisk værktøj.** Umodificerede stik og dertil passende stikkontakter reducerer risikoen for elektrisk stød.
- Undgå kropskontakt med jordforbundne overflader som f.eks. rør, radiatorer, komfurer og køleskabe.** Der er øget risiko for elektrisk stød, hvis din krop er jordforbundet.
- Udsæt ikke elværktøj for regn, og brug det ikke, hvor omgivelserne er våde.** Hvis der trænger vand ind i et elektrisk værktøj, øges risikoen for elektrisk stød.
- Pas på, at ledningen ikke beskadiges. Brug aldrig ledningen til at bære, trække værktøjet eller trække det ud af stikkontakten.** Hold ledningen borte fra varme, olie, skarpe kanter og bevægelige dele. Beskadigede eller sammenfiltrede ledninger øger risikoen for elektrisk stød.
- Hvis elværktøj benyttes i det fri, skal der benyttes en forlængerledning, som er godkendt til udendørs brug.**

Brug af en ledning, der er egnet til udendørs brug, reducerer risikoen for elektrisk stød.

- Brug en strømkilde med fejlstrømsrelæ, hvis det er nødvendigt at anvende elværktøj på fugtige steder.** Ved at benytte en fejlstrømsafbryder reduceres risikoen for elektrisk stød.

3. Personssikkerhed

- Vær opmærksom, hold øje med, hvad du laver og brug elværktøjet fornuftigt. Betjen ikke værktøjet, hvis du er træt, påvirket af narkotika, alkohol eller medicin.** Et øjeblik uopmærksomhed under anvendelse af et elektrisk værktøj kan forårsage alvorlige kvæstelser.
 - Brug personligt beskyttelsesudstyr. Bær altid beskyttelsesbriller.** Sikkerhedsudstyr, såsom støvmaske, skridsikre sikkerhedssko, sikkerhedshjelm eller høreværn, brugt når omstændighederne foreskriver det, reducerer omfanget af personskader.
 - Træf forholdsregler, så utilsigtet start ikke er mulig. Kontrollér, at afbryderkontakten står på slukket, inden værktøjet tilsluttes eller batteriet og/eller batteriet, samles op eller bæres.** Når elektrisk værktøj bæres med fingeren på kontakten eller tilsluttes, når kontakten er tændt, giver det anledning til ulykker.
 - Fjern indstillingsværktøj eller skruenøgle, inden elværktøjet startes.** En skruenøgle eller anden nøgle, der bliver siddende på en roterende del af elektrisk værktøj, kan give anledning til personskade.
 - Stræk dig ikke for langt. Hold hele tiden en god fodstilling og balance.** Dette udgør at du har bedre kontrol over det elektriske værktøj, når uventede situationer opstår.
 - Brug egnet arbejdstøj. Bær ikke løst tøj eller smykker.** Hold dit hår, tøj og handsker væk fra bevægelige dele. Løstsiddende tøj, smykker eller langt hår kan blive fanget i bevægelige dele.
 - Hvis der kan monteres støvudsugnings- og opsamlingsudstyr, skal dette tilsluttes og benyttes korrekt.** Anvendelse af støvsamlingsudstyr kan begrænse farer forårsaget af støv.
- #### 4. Brug og vedligeholdelse af elværktøj
- Overbelast ikke elværktøjet. Brug det værktøj, der er bedst egnet til det arbejde, der skal udføres.** Værktøjet vil klare opgaven bedre og mere sikkert med den ydelse, som det er beregnet til.
 - Brug ikke elværktøjet, hvis afbryderkontakten er defekt.** Alt elektrisk værktøj, der ikke kan kontrolleres med kontakten, er farligt og skal repareres.
 - Træk stikket ud af stikkontakten og/eller batteriet inden indstilling, tilbehørsudskiftning eller opbevaring af elværktøjet.**

Sådanne forebyggende sikkerhedsforanstaltninger mindsker risikoen for, at værktøjet startes utilsigtet.

- d. **Opbevar ubenyttet elværktøj uden for børns rækkevidde. Lad aldrig personer, der ikke er fortrolige med elværktøjet, eller som ikke har læst denne vejledning, benytte maskinen.** El-værktøj er farligt i hænderne på personer, som ikke er instrueret i brugen deraf.
- e. **Elværktøj skal vedligeholdes. Kontroller, om bevægelige dele er skæve og ikke sidder fast, og om delene er brækket eller beskadiget, så elværktøjets funktion påvirkes. Hvis det elektriske værktøj er beskadiget, skal det repareres før brug.** Mange ulykker er forårsaget af dårligt vedligeholdt værktøj.
- f. **Hold skæreværktøj skarpt og rent.** Ordentligt vedligeholdt skæreværktøj med skarpe skærekanter har mindre tilbøjelighed til at binde og er lettere at styre.
- g. **Brug elværktøjet, tilbehøret, indsatsværktøj osv. i overensstemmelse med disse instruktioner under hensyntagen til arbejdsforholdene og arbejdet, der skal udføres med værktøjet.** Brug af elektrisk værktøj til andre opgaver end dem, det er beregnet til, kan resultere i en farlig situation.

5. Brug og pleje af batteriværktøj

- a. **Genoplad kun med den oplader, som producenten har angivet.**

En oplader, der passer til en type batteripakke, kan udgøre en risiko for brand, når den bruges til en anden type.

- b. **Elværktøj må kun bruges med batteripakker, der er beregnet hertil.** Brugen af andre batteripakker kan medføre personskade og brand.
- c. **Når batteripakken ikke er i brug, skal den holdes på afstand af andre metalgenstande, f.eks. papirclips, mønter, nøgler, søm, skruer og andre små metalgenstande, som kan skabe forbindelse mellem de to poler.** Kortslutning af batteriet kan forårsage forbrændinger eller brand.
- d. **Under grove forhold kan væske sive ud fra batteriet; undgå kontakt. Hvis der opstår kontakt ved et uheld, skyl med vand. Hvis væske kommer ind i øjnene, søg omgående lægehjælp.** Væske, der siver ud fra batteriet, kan fremkalde irritationer eller forbrændinger.

6. service

- a. **Lad kun kvalificerede fagfolk reparere elværktøjet og benyt kun originale reservedele.** Derved sikres det, at værktøjets driftssikkerhed opretholdes.

Yderligere sikkerhedsadvarsler for elværktøj



Advarsel! Yderligere sikkerhedsadvarsler for slibemaskiner



Advarsel! Kontakt med eller indånding af støvpartikler fra slibearbejde kan udgøre en fare for både brugerens og eventuelle omkringståendes helbred. Bær en specielt designet støvmaske til beskyttelse mod støv og røg, og sørg for, at personer, der befinder sig på eller kommer ind på arbejdsområdet, også er beskyttet.

- ◆ **Hold i elværktøjets isolerede håndtagsflader, hvis der er risiko for, at slibetilbehøret kommer i kontakt med skjulte ledninger.** Hvis tilbehøret rammer en strømførende ledning, bliver elværktøjets blottagte dele strømførende, så brugeren får stød.
- ◆ **Brug klemmer eller en anden praktisk måde på at sikre og understøtte arbejdsemnet til et stabilt underlag.** Hvis du holder fast i arbejdsemnet med din hånd eller krop, vil det være ustabil, og det kan medføre, at du mister kontrollen over det.



Advarsel! Vær ekstra opmærksom ved slibning af nogle træsorter (fx bøg, eg) og metal, som kan frembringe giftigt støv. Bær en støvmaske, der er specielt designet til beskyttelse imod giftigt støv og røg og kontrollér, at personer, som opholder sig i eller kommer ind i arbejdsområdet, også er beskyttede.



Advarsel! Ved slibning af jernholdigt metal med dette værktøj skal der være god udluftning. Brug ikke værktøjet i nærheden af brændbare væsker, gasser eller støv. Gnister eller varme partikler fra slibningen eller lysbueomotorens kul kan antænde brændbare materialer.



Advarsel! Slib aldrig magnesiumholdige materialer! Der er risiko for brand eller eksplosioner.

- ◆ Fjern omhyggeligt alt støv efter slibning.
- ◆ Den tilsigtede anvendelse er beskrevet i denne betjeningsvejledning. Brug af ekstraudstyr eller tilbehør eller udførelse af andre opgaver med dette værktøj end de, der anbefales i denne vejledning, kan medføre risiko for personskade og/eller materiel skade.

Sikkerhed ved slibning af maling



Advarsel! Følg de relevante forskrifter for slibning af maling. Vær især opmærksom på følgende:

- ◆ Brug så vidt muligt en vakuumsuger til støvsugning.
- ◆ Man skal være specielt opmærksom ved slibning af maling, som er blybaseret og kan frembringe giftigt støv:
 - ◆ Børn og gravide kvinder må ikke betræde arbejdsområdet.

- ◆ Alle personer, der betræder arbejdsområdet, skal bære en maske, der er specielt designet til beskyttelse mod blybaseret maling og røg.
- ◆ Undgå at spise, drikke og ryge i arbejdsområdet.
- ◆ Støvpartikler og andet snavs, der kan fjernes, skal bortskaffes på en sikker måde.

Andres sikkerhed

- ◆ Dette værktøj er ikke beregnet til anvendelse af personer (inklusive børn) med nedsatte fysiske, sensoriske eller mentale handicaps eller med mangel på erfaringer eller viden, medmindre de er under overvågning eller har fået instruktioner i brugen af værktøjet af en person, der er ansvarlig for deres sikkerhed.
- ◆ Børn skal holdes under opsyn, så det sikres, at de ikke leger med værktøjet.

Tilbageværende risici.

Der kan opstå yderligere, tilbageværende risici under brugen af apparatet, som muligvis ikke behandles i de vedlagte sikkerhedsadvarsler. Disse risici kan opstå pga. forkert anvendelse, langvarig brug etc.

Selv ved overholdelse af relevante sikkerhedsforskrifter og anvendelse af sikkerhedsudstyr kan visse tilbageværende risici ikke undgås. Disse omfatter:

- ◆ Tilskadekomst forårsaget af berøring af roterende/bevægelige dele.
- ◆ Tilskadekomst forårsaget af udskiftning af dele, klinger eller tilbehør.
- ◆ Tilskadekomst forårsaget af langvarig brug af et apparat. Husk at holde pause jævnligt ved brug af et apparat i længere tid.
- ◆ Hørenedsættelse.
- ◆ Sundhedsrisici forårsaget af indånding af støv, der genereres ved brug af dit apparat (eksempel: arbejde med træ, især eg, bøg og MDF.)

Vibration

De angivne værdier for udsendelse af vibration opført under de tekniske data og overensstemmelseserklæringen er målt i henhold til standardtestmetoden anført i EN 60745 og kan bruges til at sammenligne ét værktøj med et andet. Den angivne vibrationsemissionsværdi kan også bruges som en foreløbig vurdering af eksponeringen.

Advarsel! Værdien for vibrationsemission ved faktisk brug af elværktøjet kan afvige fra den angivne værdi afhængig af måden, værktøjet anvendes på. Vibrationsniveauet kan overstige det angivne niveau.

I vurderingen af eksponeringen for vibration med henblik på fastsættelse af sikkerhedsforanstaltninger som krævet i 2002/44/EF til beskyttelse af personer, der jævnligt anvender elværktøj i deres arbejde, skal der tages hensyn til de faktiske betingelser under brugen, og måden værktøjet bruges på, herunder alle arbejdsrytters elementer, f.eks. perioder, hvor værktøjet er slukket, og hvor det kører i tomgang, tillige med startperioderne.

Yderligere sikkerhedsinstruktioner for batterier og ladere

Batterier

- ◆ Forsøg aldrig at åbne den af en eller anden grund.
- ◆ Batteriet må ikke udsættes for fugt.
- ◆ Opbevar ikke batterier på steder, hvor temperaturen kan overstige 40 °C.
- ◆ Foretag kun opladning ved omgivelsestemperaturer mellem 10 °C og 40 °C.
- ◆ Oplad kun ved hjælp af den medfølgende lader.
- ◆ Følg ved bortskaffelse af batterier vejledningen i afsnittet "Miljøbeskyttelse".



Forsøg ikke at oplade beskadigede batterier.

Opladere

- ◆ Brug kun din BLACK+DECKER-lader til at oplade batteriet i det værktøj, som den blev leveret sammen med. Andre batterier kan eksplodere og forårsage kvæstelser og materielle skader.
- ◆ Forsøg aldrig at oplade ikke-genopladelige batterier.
- ◆ Udskift straks defekte ledninger.
- ◆ Opladeren må ikke udsættes for fugt.
- ◆ Opladeren må ikke åbnes.
- ◆ Undersøg ikke opladeren.



Opladeren er kun beregnet til indendørs brug.



Læs brugervejledningen, før værktøjet tages i brug.

Mærkater på værktøjet

Følgende piktogrammer vises på værktøjet sammen med datokoder:



Advarsel! Brugeren skal læse brugervejledningen for at reducere risikoen for tilskadekomst.



Bær en støvmaske.

Elektricitet og sikkerhed



Dette værktøj er dobbelt isoleret, derfor er en jordledning ikke nødvendig. Kontrollér altid, at strømforsyningen svarer til spændingen på mærkepladen.

- ◆ Hvis netledningen beskadiges, skal den udskiftes af producenten eller et autoriseret Stanley Fat Max-værksted, så farlige situationer undgås.

Funktioner

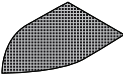
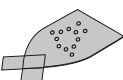
Apparatet har nogle eller alle af de følgende funktioner.

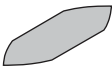
1. Afbryderkontakt
2. Støvsamlingskassette
3. Slibefod
4. Fingertilbehør
5. Batteri

Tilbehør

Det tilbehør, der følger med slibemaskinen, afhænger af den købte model. Alt nedenstående tilbehør kan fås i vores udvalg. Gå ind på vores på website www.blackanddecker.eu, hvis du har behov for tilbehør, der er anført herunder, men som ikke følger med slibemaskinen.

Værktøjets ydeevne afhænger af det anvendte tilbehør. Tilbehør fra Stanley Fat Max er fremstillet efter høje kvalitetsstandarder og er designet til at forbedre dit værktøjs ydeevne. Når du bruger dette tilbehør, vil værktøjet yde optimalt.

Del	Beskrivelse
	240 korn slibegitter. Til fin overfladebehandling ved slibning af store detaljer. (Del nr. - X39132-XJ)
	120 korn slibegitter. Til medium overfladebehandling ved slibning af store detaljer. (Del nr. - X39127-XJ)
	80 korn slibegitter. Til grov overfladebehandling ved slibning af store detaljer. (Del nr. - X39122-XJ)
	Slibepapir korn 240 til store detaljer med to reservespidser. Til fin overfladebehandling ved slibning af store detaljer. (Del nr. - X31019-XJ)
	Slibepapir korn 120 til store detaljer med to reservespidser. Til medium overfladebehandling ved slibning af store detaljer. (Del nr. - X31009-XJ)
	Slibepapir korn 60 til store detaljer med to reservespidser. Til grov overfladebehandling ved slibning af store detaljer. (Del nr. - X31039-XJ)

Del	Beskrivelse
	Slibepapir korn 120 til detaljefinger. Til medium overfladebehandling ved detaljeret slibning. (Del nr. - X3277-XJ)

Opladningsprocedure (Fig. A)

Stanley Fat Max-ladere er udformet til at oplade Stanley Fat Max-batteripakker.

- ◆ Indsæt opladeren (5) i en passende udgang, før batteripakken indsættes (4).
- ◆ Indsæt batteripakken (4) i opladeren (5) som vist i figur A.
- ◆ LED-lampen (5a) blinker for at vise, at batteriet oplades.
- ◆ Når opladningen er færdig, vil det blive angivet af LED-lampen (5a), som vil lyse konstant.

Pakken er fuldt opladet og kan nu anvendes eller kan efterlades i opladeren.

Bemærk: Genoplad afladede batterier så hurtigt som muligt efter brug, da batteriets levetid ellers kan blive stærkt formindsket. For længste batterilevetid, aflad ikke batterierne helt.

Opladning af batterierne efter hver brug anbefales.

Lad batteriet blive siddende i opladeren

Du kan lade batteripakken (4) sidde i laderen (5) med tændt LED, så længe det ønskes.

Opladeren holder batteripakken klar og fuldt opladet.

Vigtige bemærkninger om opladning

- ◆ Den længste levetid og bedste ydeevne kan opnås, hvis batteripakken oplades, når lufttemperaturen er mellem 18°C og 24°C (65°F-75°F). Oplad IKKE batteripakken i en lufttemperatur under +4,5°C (+40°F) eller over +40,5°C (+105°F). Dette er vigtigt og vil forhindre alvorlig beskadigelse af batteripakken.
- ◆ Opladeren og batteripakken kan blive for varm at røre ved under opladning. Dette er normalt og angiver ikke et problem. For at lette køling af batteripakken efter brug, undgå at placere opladeren eller batteripakken i varme omgivelser, som f.eks. i et metalskur eller i en uisolere trailer.
- ◆ Hvis batteripakken ikke oplades ordentligt:
 - ◆ Kontroller strømstikket ved at tilslutte en lampe eller et andet apparat.
 - ◆ Kontrollér for at se om kontakten er tilsluttet til en lyskontakt, som slår strømmen fra, når du slukker for lyset.
 - ◆ Flyt opladeren og batteripakken til et sted, hvor den omgivende lufttemperatur er ca. 18°C - 24°C (65°F - 75°F).
 - ◆ Hvis der stadig er opladningsproblemer, tag værktøjet, batteripakken og opladeren til dit lokale servicecenter.

- ◆ Batteripakken skal genoplades, når den ikke giver tilstrækkelig strøm til de opgaver, som tidligere let blev udført. FORTSÆT IKKE med at bruge den under disse forhold. Følg opladningsproceduren. Du kan også oplade en delvist brugt pakke, når du ønsker det uden nogen negativ indflydelse på batteripakken.
- ◆ Fremmede materialer af en ledende art som for eksempel, men ikke begrænset til ståluld, aluminiumsfolie eller anden koncentration af metalliske partikler skal holdes på afstand af opladerens huller. Tag altid stikket til opladeren ud fra kontakten, når der ikke er indsat en batteripakke. Tag stikket til opladeren ud før forsøg på at rengøre den.
- ◆ Frys ikke eller nedsænk opladeren i vand eller andre væsker.

Advarsel! Lad ikke nogen flydende væsker komme ind i opladeren. Forsøg aldrig at åbne batteripakken. Hvis batteripakkens plastikhus får brud eller revner, returner det til et servicecenter til genbrug.

Opladerdiagnostik (Fig.B)

Se indikatorerne i figur B for opladningsstatussen af batteripakken.

Dårligt batteri

Hvis du ser et dårligt batteriblinkmønster, forsæt ikke med at oplade dette batteri. Returnér det til et servicecenter eller til et indsamlingssted til genbrug.

Varm/kold pakkeforsinkelse

Når opladeren sporer en batteripakke, der er for varm eller for kold, starter den automatisk en varm/kold pakkeforsinkelse og indstiller opladningen, indtil batteripakken har nået en passende temperatur. Opladeren skifter derefter automatisk til pakkeopladningsfunktion. Denne funktion sikrer maksimal batteripakkelevetid. En kold batteripakke vil oplade med en lavere hastighed end en varm batteripakke. Pakken vil oplade ved den lavere hastighed gennem hele opladningscyklussen og vil ikke vende tilbage til maksimal opladningshastighed, selvom pakken varmer.

Indsættelse og udtagning af batteripakken fra værktøjet

Sådan installeres batteripakken (Fig. C)

- ◆ Indsæt batteriet (4) i værktøjsfoden, indtil der høres et klik (figur. C)
- ◆ Sørg for at batteripakken er helt skubbet ind og låst i position.

Sådan udtages batteripakken (Fig.D)

- ◆ Tryk batteriets udløserknop (4a) ned som vist i figur D og træk batteripakken (4) ud af værktøjsfoden.

Samling

Advarsel! Før monteringen skal det sikres, at værktøjet er slukket, og at batteriet er fjernet.

Påsætning af slibegitter (Fig. E)

- ◆ Hold værktøjet med slibefoden opad.
- ◆ Placer slibegitteret (6) på slibefoden, og sørg for, at hullerne i arket kommer til at passe med hullerne i foden.

Påsætning af almindelige slibebark (Fig. F - ekstratilbehør)

- ◆ Tag de to ekstra rombformede spidser (8) af slibebarket (7).

De rombformede spidser (8) kan vendes og udskiftes, når de bliver slidte.

- ◆ Når den forreste del af spidsen (8) bliver slidt, kan den tages af arket, vendes og trykkes fast på slibefoden igen.
- ◆ Når hele spidsen bliver slidt, tages den af slibefoden, og der påsættes en ny spids.

Sørg for at anvende den rigtige type slibepapir for at opnå optimal støvopsamling.

Udskiftning af diamantformet spids (Fig. G)

- ◆ Udskift den diamantformede spids (9).
- ◆ Udskift skruen, og spænd den (10).

Montering og afmontering af støvkassetten (Fig. H)

- ◆ Lad støvkassetten (2) glide over på konnektoren (2a), og kontroller, at den sidder fast.
- ◆ Støvkassetten fjernes ved at trække den bagud og væk fra værktøjets bagende.

Anvendelse

Advarsel! Lad værktøjet arbejde i dets eget tempo. Det må ikke overbelastes.

Sådan tændes og slukkes værktøjet

- ◆ Tænd værktøjet ved at holde afbryderkontakten (1) nede ved forlæns position I.
- ◆ Sluk værktøjet ved at holde afbryderkontakten (1) nede ved tilbageposition O.

Vedligeholdelse

Dette værktøj er beregnet til brug gennem lang tid med et minimum af vedligeholdelse. Vedvarende tilfredsstillende funktion er afhængig af, om apparatet plejes korrekt og rengøres regelmæssigt.

Advarsel! Før der udføres vedligeholdelse, skal værktøjet slukkes og stikket trækkes ud, eller batteripakken skal fjernes.

- ◆ Rengør regelmæssigt værktøjets ventilationshuller med en blød børste eller en tør klud.

- ◆ Rengør med jævne mellemrum motorhuset med en fugtig klud. Der må ikke bruges skuremidler eller opløsningsmidler.



Miljøbeskyttelse



Særskilt bortskaffelse. Produkter og batterier mærket med dette symbol må ikke bortskaffes sammen med normalt husholdningsaffald.

Produkter og batterier indeholder materialer, der kan genvindes eller genbruges og således reducere efterspørgslen efter råvarer.

Genbrug venligst elektriske produkter og batterier i henhold til lokale bestemmelser. Yderligere informationer findes på www.2helpU.com

Tekniske data

		FMCW210
Indgangsspænding	V_{dc}	18
Svingninger (uden belastning)	min^{-1}	12000
Omløb (uden belastning)	min^{-1}	12000
Slibefodens overflade	mm^2	8866
Vægt	kg	0.88

		FMC687L
Spænding	V_{DC}	18
Kapacitet	Ah	2.0
Type		1
Oplader		90608625
Indgangsspænding	V_{AC}	230
Udgangsspænding	V_{DC}	18
Strømsstyrke	mA	2000

L_{pA} (lydtryk) 68 dB(A), usikkerhed (K) 3 dB(A)
L_{WA} (lydeffekt) 79 dB(A), usikkerhed (K) 3 dB(A)
Samlede værdier for vibration (triaksial vektorsum) i henhold til EN 60745:
Værdi for udsendelse af vibration (hovedhåndtag) (a_h) 5,9 m/s^2 , usikkerhed (K) 1,5 m/s^2
Værdi for udsendelse af vibration (ekstra håndtag) (a_h) 7,3 m/s^2 , usikkerhed (K) 1,5 m/s^2

EU-overensstemmelseserklæring MASKINDIREKTIV

FMCW210 - Slibemaskine

Stanley Europe erklærer, at produkterne beskrevet under "Tekniske data" er i overensstemmelse med: 2006/42/EC, EN60745-1:2009+A11:2010, EN60745-2-4:2009+A11:2011

Disse produkter er endvidere i overensstemmelse med direktiv 2014/30/EU og 2011/65/EU. Kontakt Stanley Fat Max på nedenstående adresse, eller se vejledningens bagside for at få flere oplysninger.

Undertegnede er ansvarlig for udarbejdelsen af de tekniske data og fremsætter denne erklæring på vegne af Black & Decker.

R. Laverick

Direktør for konstruktioner Stanley Europe,
Egide Walschaertsstraat14-18,
2800 Mechelen, Belgien
17/08/2017

Garanti

Stanley Fat Max er sikker på kvaliteten af sine produkter og giver forbrugerne en garanti på 12 måneder fra købsdatoen. Garantien er et tillæg til forbrugernes lovmæssige rettigheder og påvirker ikke disse. Garantien er gyldig inden for medlemsstaterne af Den Europæiske Union og Det Europæiske Frihandelsområde.

Når du gør krav på garantien, skal kravet være i overensstemmelse med Stanley Fat Max vilkår og betingelser, og du skal indsende dokumentation for købet til sælgeren eller til en autoriseret reparatør.

Vilkår og betingelser for Stanley Fat Max 1 års garanti og placeringen af dit nærmeste autoriserede serviceværksted kan fås på internettet på www.2helpU.com, eller ved at kontakte dit lokale Stanley Fat Max kontor på den adresse, der er angivet i denne vejledning.

Besøg venligst vores websted www.stanley.eu/3 for at registrere dit nye Stanley FatMax-produkt og modtage opdateringer om nye produkter og specielle tilbud.

Käyttötarkoitus

Stanley Fat Max FMCW210 -hiomakone on suunniteltu puun, metallin, muovien ja maalipintojen hiomiseen. Laite on tarkoitettu sekä ammatti- että yksityiskäyttöön.

Turvallisuusohjeet

Sähkötyökalujen yleiset turvavaroitukset



Varoitus! Lue kaikki turvallisuusvaroitukset ja ohjeet. Alla olevien varoitusten ja ohjeiden noudattamisen laiminlyönti saattaa johtaa sähköiskuun, tulipalloon ja/tai vakavaan loukkaantumiseen.

Säästä kaikki varoitukset ja ohjeet tulevaa käyttöä varten.

Ohjeissa käytetty käsite "sähkötyökalu" tarkoittaa verkkoikäyttöisiä sähkötyökaluja (verkkojohdolla varustettuja) ja akkukäyttöisiä sähkötyökaluja (ilman verkkojohdtoa).

1. Työalueen turvallisuus

- Pidä työalue puhtaana ja hyvin valaistuna.** Onnettomuuksia sattuu herkemmin epäsiistissä tai huonosti valaistussa ympäristössä.
- Älä käytä sähkötyökalua räjähdysalttiissa ympäristössä, jossa on syttyvää nestettä, kaasua tai pölyä.** Sähkötyökalujen aiheuttamat kipinät voivat sytyttää pölyn tai kaasut.
- Pidä lapset ja sivulliset loitolla sähkötyökalua käyttäessäsi.** Keskittymiskyvyn herpaantuminen voi aiheuttaa hallinnan menettämisen.

2. Sähköturvallisuus

- Sähkötyökalun pistokkeen on sovitava pistorasiaan. Älä koskaan tee pistokkeeseen mitään muutoksia. Älä yhdistä maadoitettua sähkötyökalua jatkojohtoon.** Sähköiskun vaara vähenee, jos pistokkeisiin ei tehdä muutoksia ja ne yhdistetään vain niille tarkoitettuihin pistorasioihin.
- Vältä koskettamasta maadoitettuja pintoja, kuten putkia, lämpöpattereita, liesiä tai jääkaappeja.** Voit saada sähköiskun, jos kehosi on maadoitettu.
- Älä altista sähkötyökalua sateelle tai kosteudelle.** Sähkötyökaluun menevä vesi lisää sähköiskun vaaraa.
- Älä käsittele virtajohtoa kovakouraisesti. Älä kannata työkaluja sähköjohdosta tai vedä pistoketta pistorasiasta sähköjohdon avulla. Pidä sähköjohto kaukana kuumuudesta, öljystä, terävistä reunoista tai liikkuvista osista.** Vaurioituneet tai sotkeutuneet johdot lisäävät sähköiskun vaaraa.
- Käyttäessäsi sähkötyökalua ulkona käytä ainoastaan ulkokäyttöön soveltuvaa jatkojohtoa.** Ulkokäyttöön tarkoitettu sähköjohdon käyttäminen vähentää sähköiskun vaaraa.

- Jos sähkötyökalua on välttämättä käytettävä kosteassa paikassa, käytä vikavirtasuojalla (RCD) suojattua virtalähdettä.** Tämä vähentää sähköiskun vaaraa.

3. Henkilöturvallisuus

- Ole valpas, keskity työhön ja noudata tervettä järkeä sähkötyökalun käytössä. Älä käytä tätä työkalua ollessasi väsynyt tai alkoholin, huumeiden tai lääkkeiden vaikutuksen alaisena.** Keskittymisen herpaantuminen hetkeksikin sähkötyökalua käytettäessä voi aiheuttaa vakavan henkilövahingon.
- Käytä henkilökohtaisia suojavarusteita. Käytä aina suojalaseja.** Hengityssuojaimen, liukumattomien turvajalkineiden, kypärän ja kuulonsuojaimen käyttäminen vähentää henkilövahinkojen vaaraa.
- Vältä tahatonta käynnistämistä. Varmista, että kytkin on OFF-asennossa, ennen kuin liität laitteen virtalähteeseen ja/tai akkuun, nostat laitteen tai kannat sitä.** Sähkötyökalun kantaminen sormi virtakytkimellä lisää onnettomuusvaaraa.
- Irrota mahdollinen säätö- tai kiintoavain ennen kuin käynnistät sähkötyökalun.** Sähkötyökalun pyöriivään osaan kiinni jäänyt avain voi johtaa loukkaantumiseen.
- Älä kurkota. Huolehdi siitä, että sinulla on koko ajan tukeva jalansija ja hyvä tasapaino.** Näin voit hallita sähkötyökalua paremmin odottamattomissa tilanteissa.
- Käytä tarkoitukseen soveltuvia vaatteita. Älä käytä löysiä vaatteita tai koruja. Pidä hiukset, vaatteet ja kädet loitolla liikkuvista osista.** Löysät vaatteet, korut tai pitkät hiukset voivat tarttua liikkuviin osiin.
- Jos työkalun voi liittää polynimuriiniin, tarkista, että liitos on tehty asianmukaisesti ja että laitteita käytetään oikealla tavalla.** Pölyn ottaminen talteen voi vähentää pölyn aiheuttamia vaaroja.

4. Sähkötyökalujen käyttö ja hoito

- Älä yliuormita sähkötyökalua. Valitse käyttötarkoituksen kannalta oikea sähkötyökalu.** Sähkötyökalu toimii paremmin ja turvallisemmin, kun sitä käytetään sille suunniteltuun käyttötarkoitukseen.
- Älä käytä sähkötyökalua, jota ei voida käynnistää ja pysäyttää virtakytkimestä.** Jos sähkötyökalua ei voi hallita kytkimen avulla, se on vaarallinen ja se on korjattava.
- Irrota pistotulppa pistorasiasta ja/tai akku laitteesta ennen kuin suoritat säätöjä, vaihdat tarvikkeita tai siirät sähkötyökalun varastoitavaksi.** Näin voit vähentää vahingossa käynnistymisen aiheuttaman henkilövahingon vaaraa.
- Säilytä sähkötyökalut poissa lasten ulottuvilta, kun niitä ei käytetä.**

Älä anna sähkötyökälyä sellaisen henkilön käyttöön, joka ei tunne sitä tai joka ei ole tutustunut tähän käyttöohjeeseen. Sähkötyökälyt ovat vaarallisia kouluttamattomien käyttäjien käsissä.

- e. Hoida sähkötyökälysi huolella. Tarkista, että liikkuvat osat toimivat moitteettomasti ja etteivät ne ole puristuksessa. Tarkista myös, ettei työkalussa ei ole murtuneita tai vahingoittuneita osia, jotka saattaisivat vaikuttaa haitallisesti sen toimintaan. Jos havaitset vaurioita, korjauta sähkötyökäly ennen niiden käyttämistä. Huonosti kunnossapidetyt sähkötyökälyt aiheuttavat onnettomuuksia.
- f. Pidä leikkausterät terävinä ja puhtaina. Kunnossa pidettyjen leikkaavien teräviä reunoja sisältävien työkalut todennäköisyyden jumiutua vähenee, ja niitä on helpompi hallita.
- g. Käytä sähkötyökälyjä, tarvikkeita, vaihtoteriä yms. näiden ohjeiden mukaisesti. Ota tällöin huomioon työolosuhteet ja suorittava toimenpide. Jos sähkötyökälyä käytetään näiden ohjeiden vastaisesti, voi syntyä vaaratilanne.

5. Akkutyökälyän käyttö ja huolto

- a. Lataa akku vain valmistajan määrittelemällä laturilla. Laturi, joka on sopiva yhden tyyppiselle akulle, voi aiheuttaa tulipalon vaaran, jos sitä käytetään toisen tyyppisellä akulla.
- b. Käytä sähkötyökälyssä ainoastaan kyseiseen sähkötyökälyyn tarkoitettua akkua. Muun tyyppisen akun käyttö saattaa johtaa loukkaantumiseen ja tulipaloon.
- c. Pidä irrallinen akku loitolla metalliesineistä, kuten paperiliittimistä, koloista, avaimista, nauloista, ruuveista tai muista pienistä metalliesineistä, jotka voivat aiheuttaa oikosulun akun navoissa. Kennon pinteiden oikosulku voi aiheuttaa palovammoja tai tulipalon.
- d. Väärin käytetystä akusta voi vuotaa nestettä. Älä kosketa sitä. Jos nesteen kanssa joutuu kosketuksiin, huuhtelee vedellä. Jos nestettä joutuu silmiin, hakeudu lisäksi lääkärin hoitoon. Akusta roiskunut neste saattaa aiheuttaa ärsytystä tai palovammoja.

6. Huolto

- a. Korjauta sähkötyökäly koulutetulla ja ammattitaitoisella henkilöllä ja hyväksy korjauksiin vain alkuperäisiä varaosia. Tämä varmistaa sähkötyökälyän turvallisuuden.

Sähkötyökälyjen lisäturvavaroitukset



Varoitus! Lisäturvavaroitukset hiomakoneelle



Varoitus! Hiontatyöstä syntyvä pöly voi aiheuttaa terveyshaittoja käyttäjälle ja mahdollisille sivullisille. Käytä kasvosuojusta, joka on erityisesti tarkoitettu suojaamaan pölyltä ja höyryiltä, ja varmista, että kaikki kosketusalueella olevat ja sinne tulevat henkilöt käyttävät suojavarusteita.

- ◆ Pitele sähkötyökälyä eristetyistä tartuntapinnoista, kun teet työtä, jossa hiomisosa voi joutua kosketuksiin piilossa olevien sähköjohtojen kanssa. Lisätarvikkeen kosketus jännitteisen johtimen kanssa voi tehdä myös työkalun paljaista metalliosista jännitteisiä ja aiheuttaa sähköiskun käyttäjälle.
- ◆ Käytä puristimia tai muuta käytännöllistä tapaa kiinnittää ja tukea työkalua tukevalle alustalle. Työn pitäminen käsin tai vartaloa vasten on epävakaata ja saattaa johtaa kontrollin menetykseen.



Varoitus! Ole erityisen huolellinen, kun hiot joitakin puumateriaaleja (esim. pyökki, tammi) ja metallia, koska se saattaa tuottaa myrkyllistä pölyä. Pidä erityisesti myrkyllisiä pölyjä ja huujuja vastaan suunniteltua hengityssuojainta ja varmista, että työalueella työskentelevät ja työalueelle saapuvat ihmiset on myös suojattu.



Varoitus! Käytä työkalua paikassa, jossa on kunnollinen ilmanvaihto, kun hiot rautapitoisia metalleja. Älä käytä työkalua helposti syttyvien nesteiden, kaasujen tai pölyn läheisyydessä. Hionnassa syntyvät kipinät tai kuumat hiukkaset sekä moottorissa syntyvät kipinät voivat sytyttää helposti syttyvän materiaalin.



Varoitus! Älä hio magnesiumia. Se saattaa aiheuttaa tulipalon tai räjähdysen.

- ◆ Poista pöly huolellisesti hiomisen jälkeen.
- ◆ Tarkoitettu käyttö on kuvattu tässä käyttöohjeessa. Käytä työkalua ainoastaan sellaiseen työhön, johon se on tarkoitettu, ja käytä vain tässä käyttöohjeessa suositeltuja tarvikkeita ja lisälaitteita. Ohjeesta poikkeava käyttö voi aiheuttaa henkilö- ja/tai omaisuusvahinkoja.

Maalin hiontaa koskevat turvaohjeet



Varoitus! Noudata maalin hiontaan soveltuvia säädöksiä. Huomioi erityisesti seuraavat:

- ◆ Käytä pölynmulaitetta aina, kun se on mahdollista.
- ◆ Ole erityisen varovainen hioessasi liijyjä mahdollisesti sisältäviä maalipintoja, joista voi irrota myrkyllistä hio-mapölyä.
 - ◆ Älä anna lasten tai raskaana olevien naisten olla työalueella.

- ◆ Kaikkien työalueelle tulevien henkilöiden on käytettävä kasvosuojusta, joka on erityisesti tarkoitettu suojaamaan lyijypitoisen maalin tuottamalta pölyltä ja kaasulta.
- ◆ Älä syö, juo tai tupakoi työalueella.
- ◆ Hävitä pöly ja muu hiontajäte ympäristöystävällisesti.

Muiden henkilöiden turvallisuus

- ◆ Tämä laite ei ole tarkoitettu henkilöiden (mukaan lukien lapset) käytettäväksi, joiden fyysiset, sensoriset tai henkiset kyvyt tai kokemus ja tietämys ovat rajalliset, ellei heidän turvallisuudestaan vastuussa oleva henkilö valvo tai ohjaa heitä laitteen käytössä.
- ◆ Lapsia tulee valvoa ja varmistaa, että he eivät leiki laitteella.

Muut riskit.

Myös muut kuin turvavaroituksissa mainitut riskit ovat mahdollisia työkalua käytettäessä. Nämä riskit voivat liittyä muun muassa virheelliseen tai pitkäaikaiseen käyttöön.

Tiettyjä jäännösriskejä ei voi välttää, vaikka noudatetaan kaikkia turvamaääräyksiä ja käytät turvalaitteita. Nämä ovat:

- ◆ pyörivien tai liikkuvien osien koskettamisen aiheuttamat vahingot.
- ◆ osia, teriä tai lisävarusteita vaihdettaessa aiheutuneet vahingot.
- ◆ työkalun pitkäaikaisen käytön aiheuttamat vahingot. Varmista, että pidät säännöllisesti taukoja työkalun pitkäaikaisen käytön aikana.
- ◆ Kuulon heikkeneminen.
- ◆ Työkalua käytettäessä (esimerkiksi puuta, erityisesti tammea, pyökkiä ja MDF-levyjä käsiteltäessä) syntyneen pölyn sisäänhengityksen aiheuttamat terveysriskit.

Tärinä

Teknisissä tiedoissa ja vaatimustenmukaisuusilmoituksessa ilmoitetut tärinäpäästöarvot on mitattu standardin EN 60745 testausmenetelmän mukaisesti, ja niiden avulla voidaan vertailla työkaluja keskenään. Ilmoitettua tärinäpäästöarvoa voi käyttää myös altistumisen alustavaan arviointiin.

Varoitus! Sähkötyökalun käytön aikana mitattu todellinen tärinäpäästöarvo voi poiketa ilmoitetusta tärinäpäästöarvosta työkalun käyttötavan mukaan. Tärinätasoa voi olla ilmoitettua tasoa suurempi.

Kun tärinälle altistumista arvioidaan sen määrittämiseksi, mitä direktiivin 2002/44/EY mukaisia turvatoimenpiteitä vaaditaan sähkötyökaluja säännöllisesti käyttävien henkilöiden suojelemiseksi, tärinälle altistumisen arvioinnissa on otettava huomioon todelliset käyttöolosuhteet ja työkalun käyttötavat.

Todellisen käytön lisäksi on kiinnitettävä huomiota myös siihen, milloin työkalu on sammutettuna tai se käy tyhjäkäynnillä.

Akkuja ja laturia koskevat lisäturvaohjeet

Akut

- ◆ Älä koskaan yritä avata mistään syystä.
- ◆ Älä anna akun kastua.
- ◆ Älä säilytä akkuja tiloissa, joissa lämpötila voi nousta yli 40 °C:een.
- ◆ Lataa akku paikassa, jonka lämpötila on vähintään 10 °C ja enintään 40 °C.
- ◆ Lataa akku ainoastaan työkalun mukana toimitetulla laturilla.
- ◆ Noudata akkujen hävittämisessä Ympäristönsuojelukohdassa esitetyjä ohjeita.



Älä koskaan yritä ladata viallisia akkuja.

Laturit

- ◆ Käytä BLACK+DECKER-laturia vain laitteen mukana toimitetun akun lataamiseen. Muut akut voivat räjähtää ja aiheuttaa henkilövahinkoja tai aineellisia vahinkoja.
- ◆ Älä koskaan yritä ladata akkuja, joita ei ole tarkoitettu ladattavaksi.
- ◆ Vaihda vialliset johdot välittömästi ehjiin.
- ◆ Älä altista laturia vedelle.
- ◆ Älä avaa laturia.
- ◆ Älä työnnä mitään laturin sisään.



Laturi on tarkoitettu ainoastaan sisäkäyttöön.



Lue käyttöohjeet huolellisesti ennen laitteen käyttöä.

Työkalun tarrat

Työkalussa on seuraavat merkit sekä päivämääräkoodi:



Varoitus! Käyttäjän on luettava käyttöohje vahinkojen välttämiseksi.



Käytä pölysuojainta.

Sähköturvallisuus



Tämä työkalu on kaksoiseristetty, joten erillistä maadoitusta ei tarvita. Tarkista aina, että verkkovirran jännite vastaa tyyppikilpeen merkittyä jännitettä.

- ◆ Jos virtajohto vahingoittuu, sen vaihtaminen on turvallisuussyistä jätettävä valmistajan tai valtuutetun Stanley Fat Max -huoltoilikeen tehtäväksi.

Yleiskuvaus

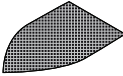
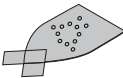
Tässä työkalussa on joitakin tai kaikki seuraavista ominaisuuksista.

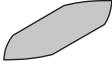
1. Virtakytkin
2. Pölysäiliö
3. Hioma-alusta
4. Sormiosa
5. Akku

Lisävarusteet

Nauhahiomakoneen mukana toimitetut lisävarusteet vaihtelevat ostamasi mallin mukaan. Kaikki alla luetellut lisävarusteet ovat saatavilla mallistossamme. Jos tarvitset lisävarusteen, joka on mainittu alla, mutta jota ei ole toimitettu nauhahiomakoneen mukana, käy sivustossamme osoitteessa www.blackanddecker.eu.

Työkalun suorituskyky riippuu käytetystä lisävarusteesta. Stanley Fat Max -lisävarusteet on valmistettu korkealaatuisiksi ja suunniteltu parantamaan työkalun suorituskykyä. Käyttämällä näitä lisävarusteita saat työkalustasi parhaan hyödyn.

Tuote	Kuvake
	240 karkeuden hiomaverkko. Viimeistelyltään hienoon muotoiluhiontaan. (Osanumero X39132-XJ)
	120 karkeuden hiomaverkko. Viimeistelyltään keskikarkeaan muotoiluhiontaan. (Osanumero X39127-XJ)
	80 karkeuden hiomaverkko. Viimeistelyltään karkeaan muotoiluhiontaan. (Osanumero X39122-XJ)
	240 karkeuden muotoiluhiomapaperi kahdella vaihtokärjellä. Viimeistelyltään hienoon muotoiluhiontaan. (Osanumero X31019-XJ)
	120 karkeuden muotoiluhiomapaperi kahdella vaihtokärjellä. Viimeistelyltään keskikarkeaan muotoiluhiontaan. (Osanumero X31009-XJ)
	60 karkeuden muotoiluhiomapaperi kahdella vaihtokärjellä. Viimeistelyltään karkeaan muotoiluhiontaan. (Osanumero X31039-XJ)

Tuote	Kuvake
	120 karkeuden yksityiskohtainen sormihiomapaperi. Viimeistelyltään keskikarkeaan muotoiluhiontaan. (Osanumero X3277-XJ)

Lataaminen (kuva A)

Stanley Fat Max -laturit on tarkoitettu Stanley Fat Max -akkujen lataamiseen.

- ◆ Yhdistä laturi (5) sopivaan pistorasiaan ennen kuin laitat siihen akun (4).
- ◆ Aseta akku (4) laturiin (5) kuvan A mukaisesti.
- ◆ LED-merkkivalo (5a) vilkkuu käynnissä olevan latauksen meriksi.
- ◆ Kun lataus on valmis, LED-merkkivalo (5a) jää palamaan pysyvästi.

Akku on täysin ladattu ja sitä voidaan käyttää heti tai sen voi jättää laturiin.

Huomautus: Lataa tyhjenneet akut mahdollisimman pian käytön jälkeen, muutoin akun käyttöikä voi lyhentyä. Vältä akkuvirran purkautumista kokonaan loppuun akun käyttöäin maksimoimiseksi.

Suosittellemme akkujen lataamista jokaisen käyttökerran jälkeen.

Akun jättäminen laturiin

Akku (4) voidaan jättää laturiin (5), kun LED-merkkivalo palaa. Laturi pitää akun käyttövalmiina ja ladattuna.

Tärkeitä huomautuksia lataamiseen

- ◆ Pisin käyttöikä ja paras suorituskyky saavutetaan, kun akkua ladataan lämpötilassa 18 °C - 24 °C (65 °F - 75 °F). ÄLÄ lataa akkua alle +4,5 °C (+40°F) tai yli +40,5 °C (+105°F) lämpötilassa. Tämä on tärkeää ja se estää akun vakavat vauriot.
- ◆ Laturi ja akku voivat kuumentua latauksen aikana. Tämä on normaalia, eikä ole osoitus ongelmasta. Jotta akku jäähtyisi käytön jälkeen, vältä asettamasta laturia tai akkua lämpimään ympäristöön, kuten metallikoteloon tai eristämättömän perävaunun päälle.
- ◆ Jos akku ei lataudu oikein:
 - ◆ Tarkista pistorasian sähkövirta kytkemällä siihen lamppu tai jokin muu laite.
 - ◆ Tarkista valojen sammuttamisen yhteydessä virran katkaisevaa valokytkintä liitetty pistorasiaan.
 - ◆ Siirrä laturi ja akku paikkaan, jossa ympäristölämpötila on noin 18 °C - 24 °C (65°F - 75°F).
 - ◆ Jos latausongelmat jatkuvat, vie työkalu akun ja laturin ohella paikalliseen huoltopalveluun.

- ◆ Akku täytyy ladata uudelleen, kun se ei enää tuota riittävästi tehoa töissä, joka voitiin aikaisemmin tehdä helposti. ÄLÄ JATKA TYÖKALUN KÄYTTÖÄ näissä olosuhteissa. Noudata latausohjeita. Voit halutessasi myös ladata osittain käytetyn akun milloin tahansa, ilman että siitä olisi haittaa akulle.
- ◆ Vieraat johtavat aineet, kuten teräsvilla, alumiinifolio tai metallihiukaskertymät, niihin kuitenkaan rajoittumatta, on pidettävä poissa laturin aukoista. Irrota laturi aina tehonsyötöstä, kun laturissa ei ole akkua. Irrota laturi tehonsyötöstä ennen kuin yrität puhdistaa sitä.
- ◆ Älä pakasta tai upota laturia veteen tai muihin nesteisiin.

Varoitus! Älä päästä nestettä laturin sisään. Älä koskaan yritä avata akkuyksikköä mistään syystä.

Jos akun muovikotelo rikkoutuu tai halkeaa, palauta se huoltopalveluun kierrätystä varten.

Laturin vianmääritys (kuva B)

Katso akun lataustaso kuvan B merkinnoista.

Viallinen akku

Jos näet heikosta akun kunnosta ilmoittavan vilkkumisen, lopeta akun lataus. Vie se huoltopalveluun tai kierrätyspisteeseen.

Akun kuuma-/kylmäviive

Kun laturi tunnistaa liian kuuman tai kylmän akun, se käynnistää automaattisesti akun kuuma-/kylmäviiveen, jolloin lataus käynnistyy vasta sitten, kun akku on saavuttanut hyväksyttävän lämpötilan. Laturi siirtyy tämän jälkeen automaattisesti akun lataustilaan. Tämä toiminto takaa akun maksimaalisen käyttöiän. Kylmä akku latautuu hitaammin kuin lämmin akku. Akku latautuu hitaammin koko latausjakson ajan, sen latautumisnopeus ei palaudu nopeaksi, vaikka akku lämpenisi.

Akun asentaminen ja poistaminen työkalusta

Akun asentaminen (kuva C)

- ◆ Aseta akku (4) työkalun jalustaan, kunnes kuulet napsahduksen (kuva C)
- ◆ Varmista, että akku on kokonaan paikoillaan ja lukittu paikoilleen.

Akun poistaminen (kuva D)

- ◆ Paina akun vapautuspainiketta (4a) kuvan D mukaisesti ja vedä akku (4) irti työkalun jalustasta.

Asennus

Varoitus! Varmista ennen työkalun kokoamista, että sen virta on katkaistu ja että akku on irrotettu.

Hiomaverkon kiinnittäminen (kuva E)

- ◆ Pidä työkalua niin, että hioma-alusta osoittaa ylöspäin.
- ◆ Aseta hiomaverkko hioma-alustalle (6). Varmista, että verkossa olevat reiät ovat kohdakkain alustan reikien kanssa.

Tavallisten hiomapaperien kiinnittäminen (kuva F – valinnainen lisävaruste)

- ◆ Irrota hiomapaperista (7) kaksi vinoneliön muotoista lisäkärkeä (8).

Vinoneliön muotoiset kärjet (8) voi kääntää ja vaihtaa, kun ne ovat kuluneet.

- ◆ Kun kärjen (8) etuosa on kulunut, irrota se paperista, käännä se ja paina takaisin hioma-alustaan.
- ◆ Kun koko kärki on kulunut, poista se hioma-alustasta ja vaihda se uuteen.

Pölynpoisto on tehokkainta, kun käytössä on oikean tyyppinen hiomapaperi.

Vinoneliön muotoinen kärki (kuva G)

- ◆ Asenna vinoneliön muotoinen kärki (9) takaisin paikoilleen.
- ◆ Aseta kiinnitysruuvi (10) paikalleen ja kiristä.

Pölykasetin kiinnittäminen ja poistaminen (kuva H)

- ◆ Liu'uta pölykasetti (2) liittimeen (2a) ja varmista sen olevan tukevasti paikallaan.
- ◆ Voit poistaa pölykasetin vetämällä sitä taaksepäin työkalun takaosasta.

Käyttö

Varoitus! Anna työkalun käydä omaan tahtiinsa. Älä ylikuormita sitä.

Käynnistäminen ja sammuttaminen

- ◆ Käynnistä työkalu painamalla virtakytkin (1) etuasentoon I.
- ◆ Sammuta työkalu painamalla virtakytkin (1) taka-asentoon O.

Huolto

Tämä työkalu on suunniteltu toimimaan mahdollisimman pitkän aikaa mahdollisimman vähällä huollolla. Oikea käsittely ja säännöllinen puhdistus varmistavat laitteen ongelmattoman toiminnan.

Varoitus! Katkaise koneesta virta ja irrota virtajohto pistorasista tai akku aina ennen huoltotoimenpiteitä.

- ◆ Puhdista laitteen ilma-aukot säännöllisesti pehmeällä harjalla tai kuivalla rievulla.
- ◆ Puhdista moottorikotelo säännöllisesti kostealla liinalla. Älä käytä hankaavia tai liuotinpohjaisia puhdistusaineita.

2006/42/EY, EN60745-1:2009+A11:2010, EN60745-2-4:2009+A11:2011

Nämä tuotteet täyttävät myös direktiivien 2014/30/EU ja 2011/65/EU vaatimukset. Lisätietoja saa ottamalla yhteyttä Stanley Fat Max -yhtiöön seuraavaan osoitteeseen. Tiedot ovat myös käyttöoppaan takakannessa. Allekirjoittanut vastaa teknisten tietojen kokoamisesta tehden tämän ilmoituksen Black & Deckerin puolesta.



R. Laverick
Stanley European teknisen osaston johtaja,
Egide Walschaertsstraat 14-18,
2800 Mechelen, Belgium
17.8.2017

Ympäristönsuojelu



Toimita tämä laite erilliskeräykseen. Tällä symbolilla merkityjä tuotteita ja akkuja ei saa hävittää tavallisen kotitalousjätteen mukana.

Tuotteissa ja akkuissa on materiaaleja, jotka voidaan ottaa talteen tai kierrättää uudelleen käyttöä varten.

Kierrätä sähkölaitteet ja akut paikallisten määräyksien mukaan. Lisätietoa on saatavilla osoitteessa www.2helpU.com

Tekniset tiedot

		FMCW210
Syöttöjännite	V_{dc}	18
Värihtelyt (ilman kuormaa)	min^{-1}	12000
Kierrokset (ilman kuormaa)	min^{-1}	12000
Hioma-alustan pinta	mm^2	8866
Paino	kg	0,88

		FMC687L
Jännite	V_{DC}	18
Teho	Ah	2,0
Tyyppi		1
Laturi		90608625
Syöttöjännite	V_{AC}	230
Lähtöjännite	V_{DC}	18
Virta	mA	2000

L_{PA} (äänenpaine) 68 dB(A), epävarmuus (K) 3 dB(A)
L_{WA} (äänitehotaso) 79 dB(A), epävarmuus (K) 3 dB(A)
Tärinän kokonaisarvot (vektorisumma) standardin EN 60745 mukaisesti:
Tärinäpäästöarvo (pääkahva) (a_{Hv}) 5,9 m/s^2 , epävarmuus (K) 1,5 m/s^2
Tärinäpäästöarvo (lisäkahva) (a_{Hl}) 7,3 m/s^2 , epävarmuus (K) 1,5 m/s^2

EY-vaatimustenmukaisuusvakuutus KONEDIREKTIIVI



FMCW210 - Hiomakone

Stanley Europe ilmoittaa, että tuotteet, jotka on kuvattu kohdassa Tekniset tiedot, täyttävät seuraavien direktiivien vaatimukset:

Takuu

Stanley Fat Max on vakuuttunut tuotteidensa korkeasta laadusta ja tarjoaa kuluttajille 12 kuukauden takuun, joka astuu voimaan ostopäivänä. Takuu on lisäys kuluttajan lailisiin oikeuksiin eikä vaikuta niihin. Tämä takuu on voimassa kaikissa EU- ja ETA-maissa.

Edellytyksenä takuun saamiselle on, että vaade täyttää Stanley Fat Maxin ehdot ja että ostaja toimittaa ostotositteen jälleenmyyjälle tai valtuutetulle huoltoilikeelle. Stanley Fat Maxin yhden vuoden takuun ehdot ja lähimmän valtuutetun korjauspalvelun yhteystiedot ovat saatavilla osoitteessa www.2helpU.com tai ottamalla yhteyttä paikalliseen Stanley Fat Maxin toimipisteeseen tässä ohjekirjassa ilmoitetuihin osoitteisiin.

Käy verkkosivuillemme osoitteessa www.stanley.eu/3 ja rekisteröi uusi Stanley Fat Max -tuotteesi saadaksesi tietoa uusista tuotteista ja erikoistarjouksista.

Προβλεπόμενη χρήση

Το τριβείο σας Stanley Fat Max FMCW210 έχει σχεδιαστεί για το υαλοχάρτισμα ζύλου, μετάλλου, πλαστικών και βαμμένων επιφανειών. Αυτή η συσκευή προορίζεται για επαγγελματική και ιδιωτική, μη επαγγελματική χρήση.

Οδηγίες ασφαλείας

Γενικές προειδοποιήσεις ασφαλείας για ηλεκτρικά εργαλεία



Προειδοποίηση! Διαβάστε όλες τις προειδοποιήσεις ασφαλείας και όλες τις οδηγίες. Η μη τήρηση των παρακάτω προειδοποιήσεων και οδηγιών μπορεί να προκαλέσει ηλεκτροπληξία, πυρκαγιά και/ή σοβαρές σωματικές βλάβες.

Φυλάξτε όλες τις προειδοποιήσεις και τις οδηγίες για μελλοντική αναφορά.

Ο όρος "ηλεκτρικό εργαλείο" που χρησιμοποιείται σε όλες τις παρακάτω προειδοποιήσεις, αναφέρεται είτε σε εργαλείο που λειτουργεί με ρεύμα δικτύου (ρεύματος - με καλώδιο) είτε σε εργαλείο που λειτουργεί με μπαταρία (μπαταρίας - χωρίς καλώδιο).

1. Ασφάλεια χώρου εργασίας

- Διατηρείτε το χώρο εργασίας καθαρό και καλά φωτισμένο. Οι ατακτοποιήτοι ή σκοτεινοί χώροι γίνονται αιτίες ατυχημάτων.
- Μη χρησιμοποιείτε ηλεκτρικά εργαλεία σε περιβάλλον όπου υπάρχει κίνδυνος έκρηξης, όπως με παρουσία εύφλεκτων υγρών, αερίων ή σκόνης. Τα ηλεκτρικά εργαλεία παράγουν σπινθήρες που μπορεί να προκαλέσουν ανάφλεξη της σκόνης ή των αναθυμιάσεων.
- Όταν χρησιμοποιείτε ηλεκτρικό εργαλείο, κρατάτε μακριά τα παιδιά και άλλα άτομα. Παράγοντες που αποσπούν την προσοχή μπορεί να σας κάνουν να χάσετε τον έλεγχο.

2. Ασφαλής χρήση ηλεκτρικού ρεύματος

- Τα φως των ηλεκτρικών εργαλείων πρέπει να ταιριάζουν στην πρίζα. Σε καμία περίπτωση μην τροποποιήσετε το φως, με κανένα τρόπο. Μη χρησιμοποιείτε φως προσαρμογής με γειωμένα ηλεκτρικά εργαλεία. Τα φως που δεν έχουν υποστεί τροποποιήσεις και οι κατάλληλες πρίζες μειώνουν τον κίνδυνο ηλεκτροπληξίας.
- Αποφεύγετε την επαφή του σώματός σας με γειωμένες επιφάνειες, όπως σωλήνες, καλοριφέρ, κουζίνες και ψυγεία. Υπάρχει αυξημένος κίνδυνος ηλεκτροπληξίας αν το σώμα σας είναι γειωμένο.
- Μην εκθέτετε τα ηλεκτρικά εργαλεία σε βροχή ή υγρασία. Η διείσδυση νερού σε ένα ηλεκτρικό εργαλείο αυξάνει τον κίνδυνο ηλεκτροπληξίας.
- Μην κακομεταχειρίζεστε το καλώδιο. Ποτέ μη χρησιμοποιείτε το καλώδιο για να μεταφέρετε το ηλεκτρικό εργαλείο, να το τραβήξετε ή να το αποσυνδέσετε από την πρίζα. Κρατάτε το καλώδιο μακριά από θερμότητα, λάδια, αιχμηρά άκρα ή κινούμενα μέρη. Τα καλώδια που έχουν υποστεί ζημιά ή είναι υπερθερμένα αυξάνουν τον κίνδυνο ηλεκτροπληξίας.
- Όταν χρησιμοποιείτε ηλεκτρικό εργαλείο σε εξωτερικούς χώρους, να χρησιμοποιείτε πάντοτε καλώδιο επέκτασης κατάλληλο για εργασία σε εξωτερικούς χώρους.

Η χρήση καλωδίου κατάλληλου για εργασία σε εξωτερικούς χώρους μειώνει τον κίνδυνο ηλεκτροπληξίας.

- Εάν είναι αναπόφευκτη η χρήση ενός ηλεκτρικού εργαλείου σε συνθήκες υγρασίας, χρησιμοποιήστε μια διάταξη προστασίας από ρεύμα διαρροής (RCD). Η χρήση μιας διάταξης RCD μειώνει τον κίνδυνο ηλεκτροπληξίας.
- Προσωπική ασφάλεια
 - Όταν χρησιμοποιείτε ηλεκτρικό εργαλείο, να είστε σε εγρήγορση, να συγκεντρώνεστε στην εργασία που κάνετε και να επιστρατεύετε την κοινή λογική. Μη χρησιμοποιείτε ηλεκτρικό εργαλείο όταν είστε κουρασμένος/ή υπό την επήρεια ναρκωτικών, οινοπνευμάτος ή φαρμακευτικής αγωγής. Μια στιγμή απροσεξίας κατά τη χρήση ηλεκτρικών εργαλείων μπορεί να προκαλέσει σοβαρό τραυματισμό.
 - Να χρησιμοποιείτε ατομικό εξοπλισμό προστασίας. Πάντα φοράτε προστασία ματιών. Ο εξοπλισμός προστασίας, όπως μάσκα κατά της σκόνης, αντιολισθητικά παπούτσια ασφαλείας, κράνος ή προστασία ακοής, όταν χρησιμοποιείται για τις κατάλληλες συνθήκες, θα μειώσει τους τραυματισμούς και τις σωματικές βλάβες.
 - Αποτρέπετε την ακούσια ενεργοποίηση. Βεβαιωθείτε ότι ο διακόπτης βρίσκεται στη θέση απενεργοποίησης, πριν συνδέσετε το εργαλείο στην πηγή ρεύματος και/ή τοποθετήσετε το πακέτο μπαταρίας, καθώς και πριν πάρετε στα χέρια σας ή μεταφέρετε το εργαλείο. Η μεταφορά ηλεκτρικών εργαλείων με το δάχτυλο πάνω στο διακόπτη ή η σύνδεση στο ρεύμα ηλεκτρικών εργαλείων με το διακόπτη στη θέση ενεργοποίησης, ενέχει κινδύνους ατυχημάτων.
 - Πριν θέσετε το ηλεκτρικό εργαλείο σε λειτουργία, αφαιρέστε τυχόν εργαλεία ή κλειδιά ρύθμισης. Εάν αφήσετε ένα εργαλείο ή κλειδί πάνω σε κάποιο περιστρεφόμενο εξάρτημα του ηλεκτρικού εργαλείου, μπορεί να προκληθούν τραυματισμοί.
 - Μην τεντώνετε υπερβολικά. Διατηρείτε πάντα σταθερή στήριξη στα πόδια σας και καλή ισορροπία. Έτσι μπορείτε να έχετε καλύτερο έλεγχο του ηλεκτρικού εργαλείου σε μη αναμενόμενες καταστάσεις.
 - Φοράτε κατάλληλη ενδυμασία εργασίας. Μη φοράτε φαρδιά ρούχα ούτε κοσμήματα. Κρατάτε τα μαλλιά, τα ρούχα και τα γάντια σας μακριά από κινούμενα μέρη. Τα χαλαρά ρούχα, τα κοσμήματα και τα μακριά μαλλιά μπορούν να πιαστούν σε κινούμενα μέρη.
 - Αν παρέχονται διατάξεις για τη σύνδεση συστημάτων απομάκρυνσης και συλλογής της σκόνης, βεβαιωθείτε ότι αυτές είναι συνδεδεμένες και χρησιμοποιούνται σωστά. Η χρήση διατάξεων συλλογής της σκόνης μπορεί να μειώσει τους κινδύνους που προέρχονται από τη σκόνη.
 - Χρήση και φροντίδα ηλεκτρικών εργαλείων
 - Μην υπερφορτώνετε το ηλεκτρικό εργαλείο. Χρησιμοποιείτε το σωστό ηλεκτρικό εργαλείο για την εφαρμογή σας. Το σωστό ηλεκτρικό εργαλείο θα εκτελέσει την εργασία καλύτερα και ασφαλέστερα, με την ένταση χρήσης για την οποία σχεδιάστηκε.
 - Μη χρησιμοποιήσετε το ηλεκτρικό εργαλείο αν ο διακόπτης του δεν μπορεί να το ενεργοποιεί και απενεργοποιεί. Ένα ηλεκτρικό εργαλείο του οποίου η λειτουργία δεν μπορεί να ελεγχθεί με το διακόπτη είναι επικίνδυνο και πρέπει να επισκευαστεί.

- γ. Αποσυνδέστε το φως από την πηγή ρεύματος και/ή το πακέτο μπαταρίας από το ηλεκτρικό εργαλείο, πριν διεξαγάγετε οποιαδήποτε ρύθμιση, αλλαγή αξεσουάρ ή όταν πρόκειται να αποθηκεύσετε το ηλεκτρικό εργαλείο. Τέτοια προληπτικά μέτρα ασφαλείας μειώνουν το κίνδυνο αβέλτηρης εκκίνησης του ηλεκτρικού εργαλείου.
- δ. Να φυλάσσετε μακριά από παιδιά τα ηλεκτρικά εργαλεία που δεν χρησιμοποιείτε. Μην αφήνετε να χρησιμοποιήσουν ηλεκτρικό εργαλείο άτομα που δεν είναι εξοικειωμένα με αυτό ή άτομα που δεν έχουν διαβάσει αυτές τις οδηγίες χρήσης. Τα ηλεκτρικά εργαλεία είναι επικίνδυνα στα χέρια μη εκπαιδευμένων χρηστών.
- ε. Να συντηρείτε τα ηλεκτρικά εργαλεία. Ελέγχετε για προβλήματα ευθυγράμμισης ή για μάγκωμα των κινούμενων εξαρτημάτων, θραύση εξαρτημάτων, καθώς και για οποιοδήποτε άλλο πρόβλημα μπορεί να επηρεάσει τη λειτουργία των ηλεκτρικών εργαλείων. Αν το ηλεκτρικό εργαλείο έχει υποστεί ζημιά, φροντίστε να επισκευαστεί πριν το χρησιμοποιήσετε. Η ανεπαρκής συντήρηση των ηλεκτρικών εργαλείων αποτελεί αιτία πολλών ατυχημάτων.
- στ. Διατηρείτε τα κοπτικά εργαλεία κοφτερά και καθαρά. Τα κοπτικά εργαλεία με κοφτερές κοπτικές αιχμές που συντηρούνται σωστά έχουν λιγότερες πιθανότητες να μαγκώσουν και ελέγχονται ευκολότερα.
- ζ. Να χρησιμοποιείτε το ηλεκτρικό εργαλείο, τα αξεσουάρ και τις μύτες του εργαλείου κλπ. σύμφωνα με τις παραρτούσες οδηγίες, λαμβάνοντας υπόψη σας τις συνθήκες εργασίας και την εργασία που θέλετε να εκτελέσετε. Η χρήση του ηλεκτρικού εργαλείου για εργασίες διαφορετικές από τις προβλεπόμενες θα μπορούσε να οδηγήσει σε επικίνδυνη κατάσταση.

5. Χρήση και φροντίδα εργαλείων μπαταρίας

- α. Να επαναφορτίζετε μόνο με το φορτιστή που καθορίζει ο κατασκευαστής. Ένας φορτιστής που είναι κατάλληλος για ένα τύπο πακέτου μπαταρίας μπορεί να δημιουργήσει κίνδυνο πυρκαγιάς όταν χρησιμοποιείται με άλλο πακέτο μπαταρίας.
- β. Χρησιμοποιείτε τα ηλεκτρικά εργαλεία αποκλειστικά και μόνο με τα καθοριζόμενα πακέτα μπαταριών. Η χρήση άλλων πακέτων μπαταριών μπορεί να προκαλέσει κίνδυνο τραυματισμού και πυρκαγιάς.
- γ. Όταν το πακέτο μπαταρίας δεν χρησιμοποιείται, κρατάτε το μακριά από άλλα μεταλλικά αντικείμενα, όπως συνδετήρες, κέρματα, κλειδιά, καρφιά, βίδες ή άλλα μικρά μεταλλικά αντικείμενα που μπορούν να βραχυκυκλώσουν τους δύο ακροδέκτες του. Αν βραχυκυκλωθούν οι ακροδέκτες της μπαταρίας, μπορεί να προκληθούν εγκαύματα ή πυρκαγιά.
- δ. Αν οι μπαταρίες υποστούν κακομεταχείριση, μπορεί να διαρρεύσει υγρό. Αποφύγετε την επαφή. Αν κατά λάθος έρθετε σε επαφή, ξεπλύνετε με νερό. Σε περίπτωση που το υγρό έλθει σε επαφή με τα μάτια σας, ζητήστε επιπλέον και ιατρική βοήθεια. Το υγρό που εξέρχεται από την μπαταρία μπορεί να προκαλέσει ερεθισμούς ή εγκαύματα.
- ε. Σέρβις
- α. Αναθέτετε το σέρβις του ηλεκτρικού σας εργαλείου σε εξειδικευμένο τεχνικό επισκευών που χρησιμοποιεί μόνο γνήσια ανταλλακτικά. Έτσι θα εξασφαλίσετε τη διατήρηση της ασφάλειας του ηλεκτρικού εργαλείου.

Πρόσθετες προειδοποιήσεις ασφαλείας για ηλεκτρικά εργαλεία



Προειδοποίηση! Πρόσθετες προειδοποιήσεις ασφαλείας για τριβεία



Προειδοποίηση! Η επαφή με τη σκόνη ή η εισπνοή της σκόνης που δημιουργούν οι εφαρμογές υαλοχαρτίσματος μπορεί να ενέχουν κίνδυνο για την υγεία του χειριστή και των παρευρισκομένων. Φορέστε μάσκα σκόνης ειδικά σχεδιασμένη για προστασία από τη σκόνη και τις αναθυμιάσεις και βεβαιωθείτε ότι τα άτομα που βρίσκονται ή εισέρχονται στο χώρο εργασίας είναι επίσης προστατευμένα.

- ◆ Κρατάτε το ηλεκτρικό εργαλείο από μονωμένες επιφάνειες συγκράτησης όταν εκτελείτε κάποια εργασία κατά την οποία το αξεσουάρ υαλοχαρτίσματος μπορεί να έρθει σε επαφή με κρυμμένα καλώδια. Αν το αξεσουάρ έρθει σε επαφή με καλώδιο υπό τάση μπορεί να τεθούν υπό ηλεκτρική τάση και τα εκτεθειμένα μεταλλικά μέρη του ηλεκτρικού εργαλείου και να προκληθεί ηλεκτροπληξία στο χειριστή.
- ◆ Χρησιμοποιείτε σφικτήρες ή άλλο πρακτικό τρόπο για να στερεώνετε και να στηρίζετε το αντικείμενο εργασίας σε σταθερό υπόβαθρο. Αν κρατάτε το τεμάχιο εργασίας με το χέρι σας ή κόντρα στο σώμα σας, αυτό δεν είναι σταθερό και μπορεί να προκληθεί απώλεια ελέγχου.



Προειδοποίηση! Προσέχετε ιδιαίτερα όταν υαλοχαρτίζετε ορισμένα ξύλα (π.χ. οξιά, δρυ) και μέταλλα που μπορούν να παράγουν τοξική σκόνη. Φοράτε μάσκα προστασίας από σκόνη ειδικά σχεδιασμένη για προστασία από τοξική σκόνη και αναθυμιάσεις και φροντίστε απαραίτητα να είναι προστατευμένα και τα άτομα που βρίσκονται ή εισέρχονται στην περιοχή εργασίας.



Προειδοποίηση! Χρησιμοποιήστε αυτό το εργαλείο σε καλά αεριζόμενο χώρο κατά το υαλοχαρτίσμα σιδηρούχων μετάλλων. Μην χρησιμοποιείτε το εργαλείο κοντά σε εύφλεκτα υγρά, αέρια ή σκόνη. Σπινθήρες ή θερμά σωματίδια από τη υαλοχαρτίσμα ή από τις ψήκτες του μοτέρ μπορεί να προκαλέσουν ανάφλεξη καύσιμων υλικών.



Προειδοποίηση! Μην υαλοχαρτίζετε μαγνήσιο! Υπάρχει κίνδυνος πυρκαγιάς ή εκρήξεων.

- ◆ Μετά το υαλοχαρτίσμα, καθαρίζετε καλά τη σκόνη.
- ◆ Η προβλεπόμενη χρήση περιγράφεται στο παρόν εγχειρίδιο οδηγιών. Η χρήση οποιαδήποτε αξεσουάρ ή προσαρτήματος ή η εκτέλεση με αυτό το εργαλείο οποιασδήποτε εργασίας διαφορετικής από αυτές που συνιστώνται στο παρόν εγχειρίδιο οδηγιών ενδέχεται να εγκυμονεί κίνδυνο σωματικής βλάβης και/ή υλικών ζημιών.

Ασφάλεια κατά το υαλοχαρτίσμα χρωμάτων



Προειδοποίηση! Τηρείτε τους ισχύοντες κανονισμούς για το υαλοχαρτίσμα χρωμάτων. Προσέχετε ιδιαίτερα τα εξής:

- ◆ Όταν είναι επιφορτισμένο, χρησιμοποιείτε για τη συλλογή της σκόνης διάταξη εξαγωγής σκόνης με αναρρόφηση.

- ♦ Να προσέχετε ιδιαίτερα κατά το γυαλοχάρισμα χρωμάτων να οποία ενδέχεται να έχουν ως βάση το μολύβδο και να παράγουν τοξική σκόνη:
 - ♦ Μην αφήνετε παιδιά ή εγκύους να εισέρχονται στην περιοχή εργασίας.
 - ♦ Όλα τα άτομα που εισέρχονται στην περιοχή εργασίας θα πρέπει να φορούν μάσκα ειδικά σχεδιασμένη για προστασία από σκόνη και αναθυμιάσεις χρωμάτων μολύβδου.
 - ♦ Μην τρώτε, πίνετε ή καπνίζετε στο χώρο εργασίας.
- ♦ Απορρίπτετε με ασφαλή τρόπο τα σωματίδια σκόνης και τυχόν άλλα υπολείμματα της εργασίας αφαίρεσης χρωμάτων.

Ασφάλεια τρίτων

- ♦ Αυτή η συσκευή δεν προορίζεται για χρήση από άτομα (περιλαμβανομένων παιδιών) με μειωμένες σωματικές, αισθητηριακές ή πνευματικές ικανότητες, ή με έλλειψη εμπειρίας και γνώσης, εκτός αν σε αυτά έχει παρασχεθεί από άτομο υπεύθυνο για την ασφάλειά τους επίβλεψη ή εκπαίδευση σχετικά με τη χρήση της συσκευής.
- ♦ Τα παιδιά θα πρέπει να βρίσκονται υπό επίβλεψη ώστε να διασφαλίζεται ότι δεν παίζουν με τη συσκευή.

Υπολειπόμενοι κίνδυνοι.

Κατά τη χρήση του εργαλείου μπορεί να δημιουργηθούν πρόσθετοι υπολειπόμενοι κίνδυνοι, οι οποίοι ενδέχεται να μη συμπεριλαμβάνονται στις προειδοποιήσεις ασφαλείας που εσωκλείονται. Αυτοί οι κίνδυνοι μπορεί να προκληθούν από κακή χρήση, παρατεταμένη χρήση κλπ.

Παρά την εφαρμογή των σχετικών κανονισμών ασφαλείας και τη χρήση διατάξεων ασφαλείας, ορισμένοι υπολειπόμενοι κίνδυνοι δεν είναι δυνατό να αποφευχθούν. Αυτοί περιλαμβάνουν:

- ♦ Τραυματισμούς από την επαφή με οποιαδήποτε περιστρεφόμενα/κινούμενα μέρη.
- ♦ Τραυματισμούς από αλλαγή οποιωνδήποτε εξαρτημάτων, λεπίδων ή αξεσουάρ.
- ♦ Τραυματισμούς από παρατεταμένη χρήση του εργαλείου. Όταν χρησιμοποιείτε οποιοδήποτε εργαλείο για παρατεταμένα χρονικά διαστήματα, μην παραλείπετε με κανένα τρόπο να κάνετε τακτικά διαλείμματα.
- ♦ Βλάβη της ακοής.
- ♦ Κινδύνους για την υγεία λόγω εισπνοής σκόνης που αναπτύσσεται κατά τη χρήση του εργαλείου (παράδειγμα: - εργασία με ξύλο, ειδικά βελανιδιά, οξιά και MDF.)

Κραδασμοί

Η δηλωμένη τιμή εκπομπής κραδασμών που αναφέρεται στα τεχνικά χαρακτηριστικά και τη δήλωση συμμόρφωσης έχει μετρηθεί σύμφωνα με τυποποιημένη μέθοδο δοκιμής που παρέχεται από το πρότυπο EN 60745 και μπορεί να χρησιμοποιηθεί για τη σύγκριση ενός εργαλείου με ένα άλλο. Η δηλωμένη τιμή εκπομπής κραδασμών μπορεί επίσης να χρησιμοποιηθεί σε έναν προκαταρκτικό προσδιορισμό της έκθεσης σε κραδασμούς.

Προειδοποίηση! Στην πράξη, η τιμή εκπομπής κραδασμών κατά την χρήση του ηλεκτρικού εργαλείου μπορεί να διαφέρει από την τιμή που δηλώθηκε, ανάλογα με τον τρόπο που χρησιμοποιείται το εργαλείο. Το επίπεδο κραδασμών μπορεί να αυξηθεί πάνω από το επίπεδο που έχει δηλωθεί.

Κατά τον προσδιορισμό της έκθεσης σε κραδασμούς για τον καθορισμό των απαιτούμενων μέτρων ασφαλείας σύμφωνα με την οδηγία 2002/44/ΕΚ για την προστασία προσώπων που χρησιμοποιούν συχνά ηλεκτρικά εργαλεία στην εργασία τους, μια προσεγγιστική εκτίμηση της έκθεσης σε κραδασμούς πρέπει να λαμβάνει υπόψη τις πραγματικές συνθήκες χρήσης και τον τρόπο χρήσης του εργαλείου, συμπεριλαμβανομένων και όλων των επιμέρους τμημάτων του κύκλου εργασίας, όπως τα χρονικά διαστήματα που το εργαλείο ήταν εκτός λειτουργίας και τα διαστήματα λειτουργίας χωρίς φορτίο, επιπλέον του χρόνου πίεσης της σκανδάλης.

Πρόσθετες οδηγίες ασφαλείας για μπαταρίες και φορτιστές

Μπαταρίες

- ♦ Ποτέ μην επιχειρήσετε να τις ανοίξετε, για κανένα λόγο.
- ♦ Μην εκθέτετε την μπαταρία σε νερό.
- ♦ Μην τις αποθηκεύετε σε θεσίες όπου η θερμοκρασία ενδέχεται να υπερβεί τους 40 °C.
- ♦ Να τις φορτίζετε μόνο σε θερμοκρασίες περιβάλλοντος μεταξύ 10 °C και 40 °C.
- ♦ Να τις φορτίζετε μόνο με τη χρήση του φορτιστή που παρέχεται με το εργαλείο.
- ♦ Κατά την απόρριψη μπαταριών, να ακολουθείτε τις οδηγίες που παρέχονται στην ενότητα "Προστασία του περιβάλλοντος".



Μην επιχειρήσετε να φορτίσετε μπαταρίες που έχουν υποστεί ζημιά.

Φορτιστές

- ♦ Ο φορτιστής BLACK+DECKER πρέπει να χρησιμοποιείται αποκλειστικά και μόνο για τη φόρτιση της μπαταρίας του εργαλείου το οποίο συνοδεύει. Άλλες μπαταρίες ενδέχεται να εκραγούν, προκαλώντας τραυματισμό ατόμων και ζημιές.
- ♦ Μην επιχειρήσετε ποτέ να φορτίσετε μη επαναφορτιζόμενες μπαταρίες.
- ♦ Να φροντίζετε να αντικαθίστανται άμεσα τα καλώδια που έχουν υποστεί ζημιά.
- ♦ Μην εκθέτετε το φορτιστή σε νερό.
- ♦ Μην ανοίγετε το φορτιστή.
- ♦ Μην εισάγετε οποιαδήποτε αντικείμενα μέσα στο φορτιστή.



Ο φορτιστής προορίζεται για χρήση μόνο σε εσωτερικούς χώρους.



Διαβάστε το εγχειρίδιο οδηγιών πριν τη χρήση.

Ετικέτες πάνω στο εργαλείο

Τα εικονογράμματα που ακολουθούν μαζί με τον ο κωδικό ημερομηνίας εμφανίζονται πάνω στο εργαλείο:



Προειδοποίηση! Για να μειωθεί ο κίνδυνος τραυματισμού, ο χρήστης πρέπει να διαβάσει το εγχειρίδιο οδηγιών.



Φοράτε μάσκα προστασίας από σκόνη.

Ασφαλής χρήση ηλεκτρικού ρεύματος



Αυτό το εργαλείο φέρει διπλή μόνωση και επομένως δεν χρειάζεται καλώδιο γείωσης. Ελέγχετε πάντα ότι η παροχή ρεύματος αντιστοιχεί στην τάση που αναφέρεται στην πινακίδα τεχνικών χαρακτηριστικών.

- ♦ Αν το καλώδιο ρεύματος έχει υποστεί φθορά, πρέπει να αντικατασταθεί από τον κατασκευαστή ή από ένα εξουσιοδοτημένο κέντρο επισκευών της Stanley Fat Max, ώστε να μην αποτελέσει κίνδυνο.

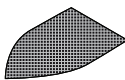
Χαρακτηριστικά

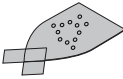

Αυτό το εργαλείο διαθέτει μερικά από ή όλα τα παρακάτω χαρακτηριστικά.

1. Διακόπτης ενεργοποίησης/ απενεργοποίησης (on/off)
2. Κασέτα συλλογής σκόνης
3. Βάση υαλοχάρτισματος
4. Εξάρτημα δακτύλου
5. Μπαταρία

Αξεσουάρ

Τα αξεσουάρ που παρέχονται με το τριβείο εξαρτώνται από το μοντέλο το οποίο έχετε αγοράσει. Όλα τα αξεσουάρ που αναγράφονται παρακάτω είναι διαθέσιμα στη σειρά προϊόντων μας. Εάν χρειάζεστε κάποιο αξεσουάρ το οποίο αναγράφεται παρακάτω αλλά δεν παρέχεται με το τριβείο σας, παρακαλούμε επισκεφθείτε την ιστοσελίδα μας στην διεύθυνση www.blackanddecker.eu. Η απόδοση του εργαλείου σας εξαρτάται από το αξεσουάρ που χρησιμοποιείτε. Τα αξεσουάρ της Stanley Fat Max έχουν κατασκευαστεί μηχανικά με πρότυπα υψηλής ποιότητας και είναι σχεδιασμένα για να ενισχύουν την απόδοση του εργαλείου σας. Χρησιμοποιώντας αυτά τα αξεσουάρ, θα εξασφαλίσετε την καλύτερη δυνατή απόδοση του εργαλείου σας.

Στοιχείο	Περιγραφή
	Πλέγμα υαλοχάρτισματος κοκκώδους 240. Για λεπτό φινιρίσμα κατά το υαλοχάρτισμα μεγάλων λεπτομερειών. (Αριθμός ανταλλακτικού - X39132-XJ)
	Πλέγμα υαλοχάρτισματος κοκκώδους 120. Για μεσαίο φινιρίσμα κατά το υαλοχάρτισμα μεγάλων λεπτομερειών. (Αριθμός ανταλλακτικού - X39127-XJ)
	Πλέγμα υαλοχάρτισματος κοκκώδους 80. Για χοντρό φινιρίσμα κατά το υαλοχάρτισμα μεγάλων λεπτομερειών. (Αριθμός ανταλλακτικού - X39122-XJ)

Στοιχείο	Περιγραφή
	Φύλλο υαλοχάρτισματος κοκκώδους 240 με δύο ανταλλακτικές μύτες, για υαλοχάρτισμα μεγάλων λεπτομερειών. Για λεπτό φινιρίσμα κατά το υαλοχάρτισμα μεγάλων λεπτομερειών. (Αριθμός ανταλλακτικού - X31019-XJ)
	Φύλλο υαλοχάρτισματος κοκκώδους 120 με δύο ανταλλακτικές μύτες, για υαλοχάρτισμα μεγάλων λεπτομερειών. Για μεσαίο φινιρίσμα κατά το υαλοχάρτισμα μεγάλων λεπτομερειών. (Αριθμός ανταλλακτικού - X31009-XJ)
	Φύλλο υαλοχάρτισματος κοκκώδους 60 με δύο ανταλλακτικές μύτες, για υαλοχάρτισμα μεγάλων λεπτομερειών. Για χοντρό φινιρίσμα κατά το υαλοχάρτισμα μεγάλων λεπτομερειών. (Αριθμός ανταλλακτικού - X31039-XJ)
	Φύλλο υαλοχάρτισματος κοκκώδους 120 για δάκτυλο ακριβείας. Για μεσαίο φινιρίσμα κατά το υαλοχάρτισμα λεπτομερειών. (Αριθμός ανταλλακτικού - X3277-XJ)

Διαδικασία φόρτισης (Εικ. Α)

Οι φορτιστές Stanley Fat Max έχουν σχεδιαστεί για φόρτιση των πακέτων μπαταριών Stanley Fat Max.

- ♦ Συνδέστε το φορτιστή (5) σε κατάλληλη πρίζα πριν εισάγετε το πακέτο μπαταρίας (4).
- ♦ Εισάγετε το πακέτο μπαταρίας (4) στο φορτιστή (5) όπως δείχνει η Εικόνα Α.
- ♦ Η λυχνία LED (5a) θα αναβοσβήνει υποδεικνύοντας ότι η μπαταρία φορτίζεται.
- ♦ Η ολοκλήρωση της φόρτισης υποδεικνύεται από τη λυχνία LED (5a) η οποία παραμένει αναμμένη συνεχώς. Το πακέτο μπαταρίας είναι πλήρως φορτισμένο και μπορεί να χρησιμοποιηθεί άμεσα ή να παραμείνει στο φορτιστή.

Σημείωση: Επαναφορτίζετε τις αποφορτισμένες μπαταρίες το συντομότερο δυνατόν μετά τη χρήση τους, διαφορετικά μπορεί να μειωθεί πολύ η διάρκεια ζωής τους. Για τη μέγιστη διάρκεια ζωής των μπαταριών, μην τις αποφορτίζετε πλήρως. Συνιστάται να επαναφορτίζετε τις μπαταρίες μετά από κάθε χρήση.

Παραμονή της μπαταρίας στο φορτιστή

Ο φορτιστής (5) και το πακέτο μπαταρίας (4) μπορούν να παραμείνουν σε σύνδεση επί αόριστον, με τη λυχνία LED αναμμένη. Ο φορτιστής θα διατηρήσει το πακέτο μπαταρίας σε βέλτιστη κατάσταση και πλήρως φορτισμένο.

Σημαντικές επισημάνσεις για τη φόρτιση

- Η μέγιστη διάρκεια ζωής και η βέλτιστη απόδοση μπορούν να επιτευχθούν αν το πακέτο μπαταρίας φορτίζεται όταν η θερμοκρασία περιβάλλοντος είναι μεταξύ 18 °C και 24 °C (65 °F έως 75 °F). ΜΗ φορτίζετε το πακέτο μπαταρίας σε θερμοκρασία περιβάλλοντος κάτω από +4,5 °C (+40 °F) ή πάνω από +40,5 °C (+105 °F). Αυτό είναι σημαντικό και θα αποτρέψει σοβαρή ζημία στο πακέτο μπαταρίας.
- Ο φορτιστής και το πακέτο μπαταρίας μπορεί να θερμανθούν κατά τη φόρτιση. Αυτό είναι κανονικό φαινόμενο και όχι ένδειξη προβλήματος. Για να διευκολύνετε την ψύξη του πακέτου μπαταρίας μετά τη χρήση, αποφεύγετε να τοποθετείτε το φορτιστή ή το πακέτο μπαταρίας σε θερμό περιβάλλον, όπως σε μεταλλικό παράπηγμα ή σε μη μονωμένο τρέιλερ.
- Αν το πακέτο μπαταριών δεν φορτίζεται σωστά:
 - Ελέγξτε το ρεύμα συνδέοντας μία λάμπα ή άλλη ηλεκτρική συσκευή.
 - Ελέγξτε μήπως η πρίζα συνδέεται σε διακοπή φωτών που διακόπτει το ρεύμα όταν σβήνετε τα φώτα.
 - Μετακινήστε το φορτιστή και το πακέτο μπαταρίας σε θέση όπου η θερμοκρασία αέρα περιβάλλοντος είναι περίπου 18 °C - 24 °C (65 °F - 75 °F).
 - Αν τα προβλήματα φόρτισης επιμένουν, παραδώστε το εργαλείο, το πακέτο μπαταρίας και το φορτιστή στο τοπικό σας κέντρο σέρβις.
- Το πακέτο μπαταρίας πρέπει να επαυφορτίζεται όταν δεν είναι σε θέση να παράγει επαρκή ισχύ σε εργασίες που γίνονταν εύκολα πιο πριν. ΜΗ ΣΥΝΕΧΙΣΤΕ τη χρήση υπό αυτές τις συνθήκες. Ακολουθήστε τη διαδικασία φόρτισης. Μπορείτε επίσης να φορτίσετε όποτε επιθυμείτε ένα πακέτο μπαταρίας που δεν έχει εξαντληθεί πλήρως, χωρίς αυτό να έχει αρνητικές συνέπειες στο πακέτο μπαταρίας.
- Τα ξένα υλικά με αγώνιμες ιδιότητες, όπως είναι, αλλά χωρίς περιορισμό σε αυτά, το σύρμα τριψίματος, το αλουμινοχαρτό ή οποιαδήποτε συσσωρευτή μεταλλικών σωματιδίων, θα πρέπει να διατηρούνται μακριά από τις κοιλότητες του φορτιστή. Πάντα αποσυνδέετε το φορτιστή από την παροχή ρεύματος όταν δεν υπάρχει πακέτο μπαταρίας στην κοιλότητα. Αποσυνδέετε το φορτιστή από την πρίζα πριν επιχειρήσετε να τον καθαρίσετε.
- Μην παγώσετε ή βυθίσετε το φορτιστή σε νερό ή οποιοδήποτε άλλο υγρό.

Προειδοποίηση! Μην επιτρέψετε να εισέλθει οποιοδήποτε υγρό μέσα στο φορτιστή. Ποτέ μην επιχειρήσετε να ανοίξετε το πακέτο μπαταρίας για οποιονδήποτε λόγο. Αν το πλαστικό περίβλημα του πακέτου μπαταρίας σπάσει ή ραγίσει, επιστρέψτε το πακέτο σε κέντρο σέρβις για ανακύκλωση.

Διαγνωστικά μηνύματα (Εικ. Β)

Ανατρέξτε στις ενδεικτικές λυχνίες στην εικόνα Β σχετικά με την κατάσταση φόρτισης του πακέτου μπαταρίας.

Προβληματική μπαταρία

Αν δείτε ένα μοτίβο αναλαμπών που αντιστοιχεί σε προβληματική μπαταρία, μη συνεχίσετε τη φόρτιση της μπαταρίας. Επιστρέψτε την σε κέντρο σέρβις ή σε θέση συλλογής για ανακύκλωση.

Καυστέρηση θερμοκύβου πακέτου μπαταρίας

Αν ο φορτιστής ανιχνεύσει πακέτο μπαταρίας με υπερβολικά υψηλή ή χαμηλή θερμοκρασία, ξεκινά αυτόματα μια Καυστέρηση θερμοκύβου πακέτου μπαταρίας, αναστέλλοντας τη φόρτιση έως ότου το πακέτο μπαταρίας έχει φθάσει σε κατάλληλη θερμοκρασία.

Κατόπιν, ο φορτιστής αρχίζει αυτόματα τη φόρτιση του πακέτου.

Αυτή η λειτουργία διασφαλίζει τη μέγιστη διάρκεια ζωής του πακέτου μπαταρίας. Ένα κρύο πακέτο μπαταρίας θα φορτίζεται πιο αργά από ένα θερμό πακέτο μπαταρίας. Το πακέτο θα φορτιστεί με αυτή τη μικρότερη ταχύτητα σε όλη τον κύκλο φόρτισης και δεν θα επιστρέψει στη μέγιστη ταχύτητα φόρτισης ακόμα και αν το πακέτο ζεσταθεί.

Τοποθέτηση και αφαίρεση του πακέτου μπαταρίας από το εργαλείο

Για να εγκαταστήσετε το πακέτο μπαταρίας (Εικ. C)

- Εισαγάγετε την μπαταρία (4) μέσα στη βάση στήριξης του εργαλείου έως ότου ακούσετε χαρακτηριστικό ήχο κλικ (Εικόνα. C)
- Βεβαιωθείτε ότι το πακέτο μπαταρίας έχει εδράσει πλήρως και έχει ασφαλίσει πλήρως στη θέση του.

Για να αφαιρέσετε το πακέτο μπαταρίας (Εικ. D)

- Πατήστε το κουμπί απελευθέρωσης της μπαταρίας (4a) όπως δείχνει η εικόνα D και τραβήξτε το πακέτο μπαταρίας (4) έξω από τη βάση στήριξης του εργαλείου.

Συναρμολόγηση

Προειδοποίηση! Πριν από τη συναρμολόγηση, βεβαιωθείτε ότι το εργαλείο είναι απενεργοποιημένο και ότι έχετε αφαιρέσει τη μπαταρία.

Τοποθέτηση πλέγματος γυαλοχαρτίσματος (Εικ. E)

- Κρατήστε το εργαλείο με τη βάση γυαλοχαρτίσματος προς τα πάνω.
- Τοποθετήστε το πλέγμα γυαλοχαρτίσματος (6) στη βάση γυαλοχαρτίσματος, φροντίζοντας ώστε οι σπές του φύλλου να ευθυγραμμιστούν με τις αντίστοιχες της βάσης.

Τοποθέτηση φύλλων γυαλοχαρτίσματος (Εικ. F - Προαιρετικό αξεσουάρ)

- Αποσυνδέστε τις δύο πρόσθετες μύτες λείανσης σχήματος ρόμβου (8) από το φύλλο γυαλοχαρτίσματος (7).

Όταν φθαρούν οι μύτες λείανσης σχήματος ρόμβου (8), μπορείτε να τις αντιστρέψετε ή να τις αντικαταστήσετε.

- Όταν φθαρεί η μπροστινή πλευρά της μύτες (8), αποσυνδέστε την από το φύλλο, αντιστρέψτε την και πιέστε την ξανά πάνω στη βάση γυαλοχαρτίσματος.
- Όταν πλέον έχει φθαρεί ολόκληρη η μύτη, αφαιρέστε την από τη βάση γυαλοχαρτίσματος και αντικαταστήστε την με καινούργια.

Για τη βέλτιστη συλλογή σκόνης, βεβαιωθείτε ότι χρησιμοποιείται ο σωστός τύπος γυαλοχαρτού.

Αντικατάσταση μύτες σχήματος ρόμβου (Εικ. G)

- Αντικαταστήστε τη μύτη σχήματος ρόμβου (9).
- Επανατοποθετήστε και σφίξτε τη βίδα (10).

Τοποθέτηση και αφαίρεση της κασέτας συλλογής σκόνης (Εικ. H)

- Περάστε την κασέτα συλλογής σκόνης (2) πάνω στο σύνδεσμο (2a) και βεβαιωθείτε ότι ασφαλίστε καλά.

- ♦ Για να αφαιρέσετε την κασέτα συλλογής σκόνης, τραβήξτε την προς τα πίσω και έξω από το πίσω άκρο του εργαλείου.

Χρήση

Προειδοποίηση! Αφήστε το εργαλείο να λειτουργήσει με το δικό του ρυθμό. Μην το υπερφορτώνετε.

Ενεργοποίηση και απενεργοποίηση

- ♦ Για να θέσετε το εργαλείο σε λειτουργία, πιάστε το διακόπτη on/off (1) στην μπροστινή θέση I.
- ♦ Για να απενεργοποιήσετε το εργαλείο, πιάστε το διακόπτη on/off (1) στην πίσω θέση O.

Συντήρηση

Αυτό το εργαλείο έχει σχεδιαστεί έτσι ώστε να λειτουργεί για μεγάλο χρονικό διάστημα με την ελάχιστη δυνατή συντήρηση. Η συνεχής ικανοποιητική λειτουργία εξαρτάται από τη σωστή φροντίδα και τον τακτικό καθαρισμό του εργαλείου.

Προειδοποίηση! Πριν από κάθε εργασία συντήρησης, πρέπει να απενεργοποιείτε το εργαλείο και να το αποσυνδέετε από την πρίζα ή να αφαιρείτε το πακέτο μπαταρίας.

- ♦ Καθαρίζετε τακτικά τις εγχοπές εξερισμού του εργαλείου με μια μαλακή βούρτσα ή με ένα στεγνό πανί.
- ♦ Να καθαρίζετε τακτικά το περιβλήμα του μοτέρ με ένα υγρό πανί. Μη χρησιμοποιείτε λειαντικά καθαριστικά ή υγρά καθαρισμού που περιέχουν διαλυτικά.

Προστασία του περιβάλλοντος



Χωριστή συλλογή. Τα προϊόντα και οι μπαταρίες που επισημειώνονται με αυτό το σύμβολο δεν πρέπει να απορρίπτονται μαζί με τα κανονικά οικιακά απορρίμματα.

Τα προϊόντα και οι μπαταρίες περιέχουν υλικά που μπορούν να ανακτηθούν ή να ανακυκλωθούν ώστε να μειωθούν οι ανάγκες για πρώτες ύλες.

Παρακαλούμε να ανακυκλώνετε τα ηλεκτρικά προϊόντα και τις μπαταρίες σύμφωνα με τους τοπικούς κανονισμούς. Περισσότερες πληροφορίες διατίθενται στον ιστότοπο www.2helpU.com

Τεχνικά δεδομένα

		FMCW210
Τάση εισόδου	V_{in}	18
Παλινδρομώσεις (χωρίς φορτίο)	min^{-1}	12000
Ελλειπτικές κινήσεις (χωρίς φορτίο)	min^{-1}	12000
Επιφάνεια βάσης γυαλοχαρπίσματος	mm^2	8866
Βάρος	kg	0,88

		FMC687L
Μπαταρία		
Τάση	V_{DC}	18
Χωρητικότητα	Ah	2,0
Τύπος		1
Φορτιστής		90608625

Τάση εισόδου	V_{in}	230
Τάση εξόδου	V_{DC}	18
Ρεύμα	mA	2000

L_{pa} (ηχητική πίεση) 68 dB(A), αβεβαιότητα (K) 3 dB(A)
L_{wa} (ηχητική ισχύς) 79 dB(A), αβεβαιότητα (K) 3 dB(A)
Συνολικές τιμές κραδασμών (δυναμικό άθροισμα τριών αξόνων) κατά EN 60745:
Τιμή εκπομπής κραδασμών (κύρια λαβή) (a) 5,9 m/s^2 ; αβεβαιότητα (K) 1,5 m/s^2 Τιμή εκπομπής κραδασμών (βοηθ. λαβή) (a) 7,3 m/s^2 ; αβεβαιότητα (K) 1,5 m/s^2

Δήλωση συμμόρφωσης ΕΚ

ΟΔΗΓΙΑ ΠΕΡΙ ΜΗΧΑΝΗΜΑΤΩΝ



FMCW210 - Τριβείο

Η Stanley Europe δηλώνει ότι αυτά τα προϊόντα που περιγράφονται στα «τεχνικά δεδομένα» συμμορφώνονται με:

2006/42/ΕΚ, EN60745-1:2009+A11:2010, EN60745-2:4:2009+A11:2011

Αυτά τα προϊόντα συμμορφώνονται και με την Οδηγία 2014/30/ΕΕ και 2011/65/ΕΕ. Για περισσότερες πληροφορίες, παρακαλείσθε να επικοινωνήσετε με την Stanley Fat Max στην παρακάτω διεύθυνση ή να ανατρέξετε στο πίσω μέρος του εγχειριδίου.

Ο κάτωθι υπογεγραμμένος είναι υπεύθυνος για την κατάρτιση του τεχνικού φακέλου και δηλώνει τα παρόντα εκ μέρους της Black & Decker.

R. Laverick

Διευθυντής Τμήματος Μηχανικής Stanley Europe,
Egide Walschaertsstraat 14-18,
2800 Mechelen, Belgium (Βέλγιο)
17/08/2017

Εγγύηση

Η Stanley Fat Max είναι σίγουρη για την ποιότητα των προϊόντων της και προσφέρει στους καταναλωτές εγγύηση 12 μηνών από την ημερομηνία αγοράς. Αυτή η εγγύηση συμπληρώνει και με κανένα τρόπο δεν παραβιάζει τα νόμιμα δικαιώματά σας. Η εγγύηση ισχύει εντός της επικράτειας των χωρών μελών της Ευρωπαϊκής Ένωσης και της Ευρωπαϊκής Ζώνης Ελεύθερων Συναλλαγών. Για να υποβάλτε αξίωση βάσει της εγγύησης, η αξίωση θα πρέπει να είναι σύμφωνη με τους Όρους και προϋποθέσεις της Stanley Fat Max και θα χρειαστεί να υποβάλτε την απόδειξη αγοράς στον πωλητή ή σε εξουσιοδοτημένο αντιπρόσωπο επισκευών.

Μπορείτε να αποκτήσετε τους Όρους και προϋποθέσεις της εγγύησης 1 ετών της Stanley Fat Max και να μάθετε την τοποθεσία του πλησιέστερου εξουσιοδοτημένου αντιπροσώπου επισκευών στο Internet στο www.2helpU.com, ή επικοινωνώντας με το τοπικό σας γραφείο Stanley Fat Max στη διεύθυνση που υποδεικνύεται στο παρόν εγχειρίδιο.

Επισκεφθείτε τον ιστότοπό μας www.stanley.eu/3 για να καταχωρίσετε το καινούριο προϊόν Stanley Fat Max που αποκτήσατε και για να λαμβάνετε ενημερώσεις σχετικά με νέα προϊόντα και ειδικές προσφορές.

België/Belgique	Stanley Fat Max E. Walschaertstraat 14-16 2800 Mechelen Belgium	De. Tel. +32 70 220 065 Fr. Tel. +32 70 220 066 Fax +32 15 473 799 www.stanleytools.eu Enduser.be@SBDinc.com
Danmark	Stanley Fat Max Farveland 1B 2600 Glostrup	Tel. 70 20 15 10 Fax 70 22 49 10 www.stanleyworks.dk
Deutschland	Stanley Fat Max Richard Klinger Str. 11, D - 65510 Idstein	Tel. 06126 21-1 Fax 06126 21-2770
Ελλάδα	Stanley Fat Max. Στράβωνος 7 & Λεωφ. Βουλιαγμένης 159 Γλυφάδα 166 74 - Αθήνα	Τηλ. +30 210 8981-616 Φαξ +30 210 8983-285 www.stanleyworks.gr
España	Stanley Fat Max. Parc de Negocis "Mas Blau" Edificio Muntadas, c/Bergadá, 1, Of. A6 08820 El Prat de Llobregat (Barcelona)	Tel. 934 797 400 Fax 934 797 419 respuesta.postventa@sbdinc.com www.stanleyworks.es
France	Stanley Fat Max 5 allée des Hêtres B.P. 30084 69579 Limonest Cédex	Tel. 04 72 20 39 20 Fax 04 72 20 39 00 www.stanleyouillage.fr
Helvetia	Stanley Fat Max In der Luberzen 40 8902 Urdorf	Tel. 01 730 67 47 Fax 01 730 70 67 www.stanleyworks.de
Italia	Stanley Fat Max EnergyPark-Building 03 sud, Via Monza 7/A 20871 Vimercate (MB)	Tel. 039-9590200 Fax 039-9590313 www.stanley.it
Nederland	Stanley Fat Max Joulehof 12, 4600 RG Bergen op Zoom	Tel. +31 164 283 065 Fax +31 164 283 200 Enduser.NL@SBDinc.com
Norge	Stanley Fat Max Postboks 4613, Nydalen 0405 Oslo	Tlf. 45 25 13 00 Fax 45 25 08 00
Österreich	Stanley Fat Max Oberlaaerstraße 248, A-1230 Wien	Tel. 01 66116-0 Fax 01 66116-614 www.stanleyworks.de
Portugal	Stanley Fat Max Centro de Escritórios de Sintra Avenida Almirante Gago Coutinho, 132/134, Edifício 142710-418 Sintra 2710-418 Lisboa	Tel. 214667500 Fax 214667575 resposta.posvenda@sbdinc.com
Suomi	Stanley Fat Max Tekniikkatie 12, 02150 Espoo	Puh. 010 400 430 Faksi 0800 411 340 www.stanleyworks.fi
Sverige	Stanley Fat Max Box 94, 431 22 Mölndal	Tel. 031-68 61 00 Fax 031-68 60 08
Türkiye	Stanley Fat Max KALE Hırdavat ve Makina A.Ş. Defterdar Mah. Savaklar Cad. No:15 Edirnekapı / Eyüp / İSTANBUL 34050	Puh. 0212 533 52 55 Faks 0212 533 10 05 www.stanleyworks.fi
United Kingdom	Stanley Fat Max 210 Bath Road Slough, Berkshire SL1 3YD	Tel. +44 (0)1753 511234 Fax +44 (0)1753 551155 www.stanleytools.co.uk
Middle East & Africa	Stanley Fat Max P.O.Box - 17164 Jebel Ali (South Zone), Dubai, UAE	Tel. +971 4 8127400 Fax +971 4 8127036 www.stanleyworks.ae