

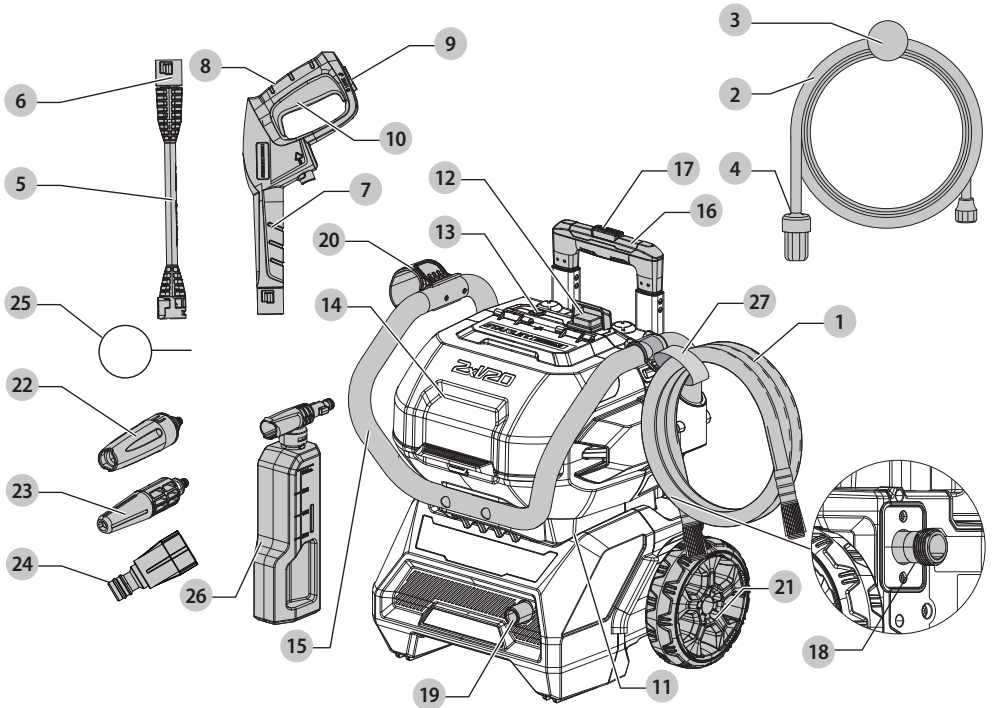
STANLEY[®]

FATMAX[®]

V20

LITHIUM ION

Fig. A



www.stanleytools.com.au
www.stanleytools.co.nz

SFMCPW1500

Fig. B

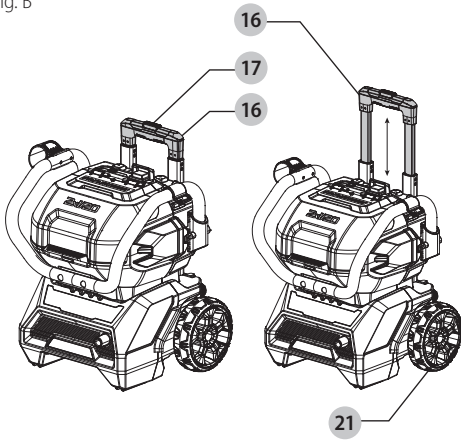


Fig. C

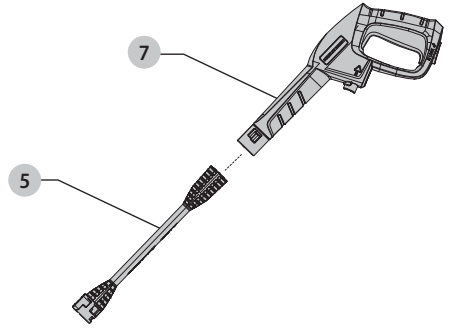


Fig. D

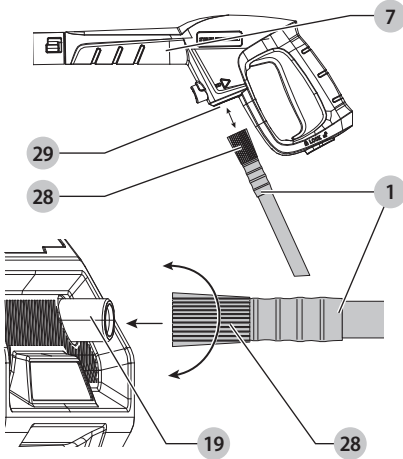


Fig. E

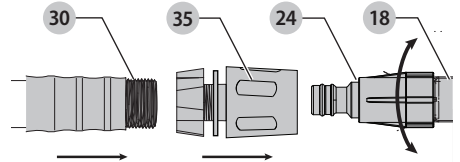


Fig. F

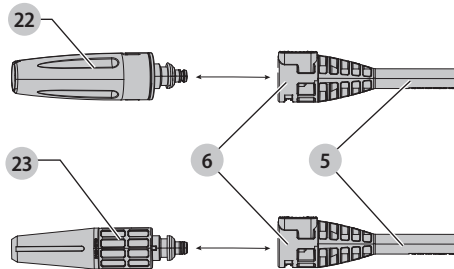


Fig. G1

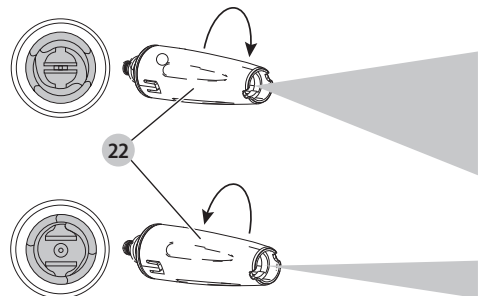


Fig. G2

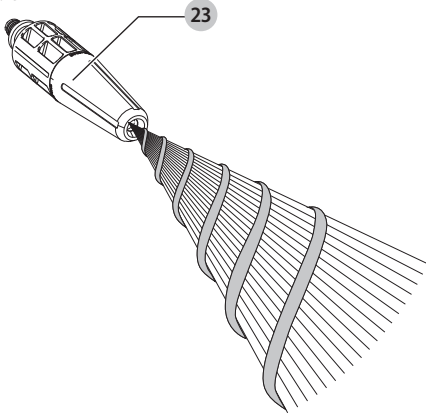


Fig. H

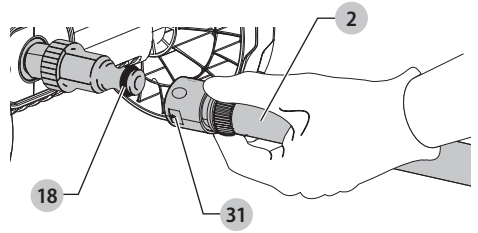


Fig. I

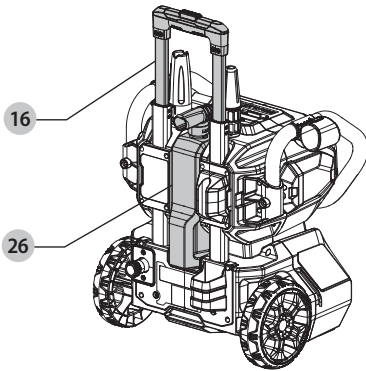


Fig. J

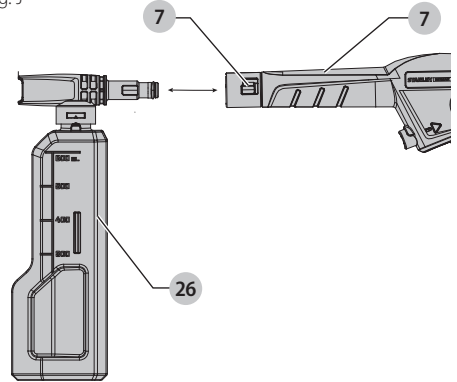


Fig. K

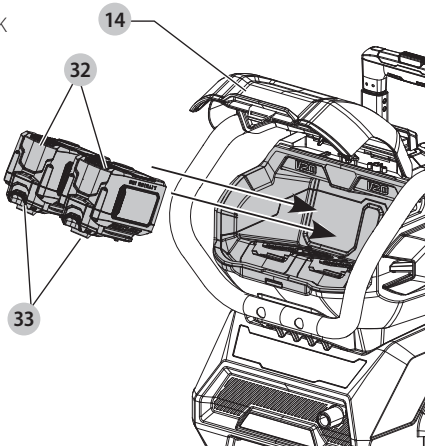


Fig. L

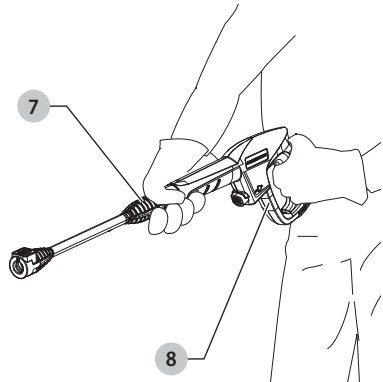


Fig. M

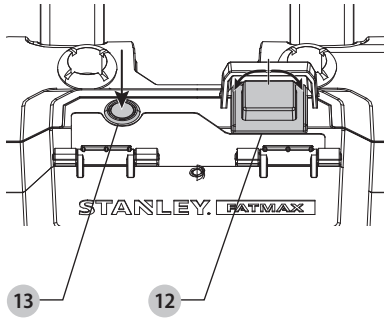


Fig. N

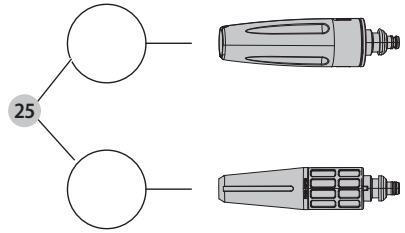


Fig. O

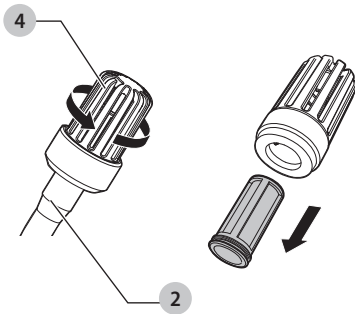


Fig. P

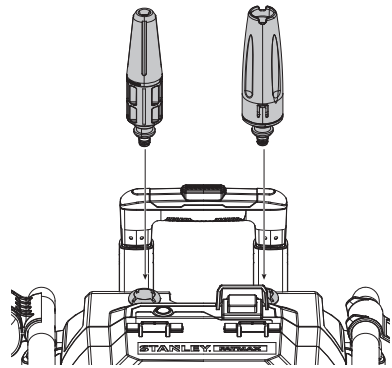


Fig. Q

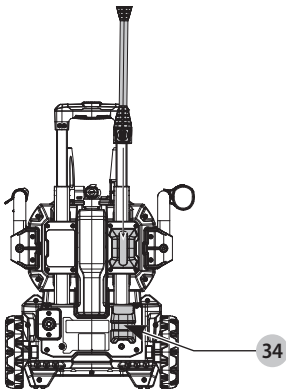
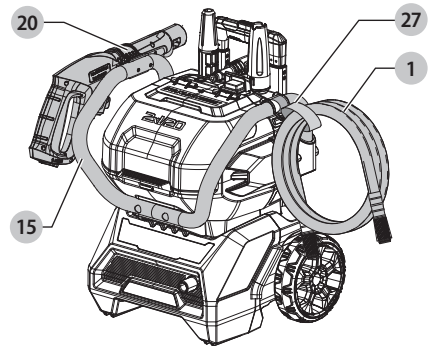


Fig. R





CAUTION: Read the instructions before using this machine.

Intended Use

Your STANLEY FATMAX SFMCPW1500 Pressure Washer has been designed for cleaning boats, cars, decks, driveways, grills, house siding, motorcycles, patios, and outdoor furniture. These appliances are intended for consumer use only.

Components

- 1 High pressure hose (6M)
- 2 Self priming suction hose (6M)
- 3 Float ball
- 4 Suction hose filter
- 5 Spray lance
- 6 Nozzle button
- 7 Spray gun
- 8 Spray gun handle grip
- 9 Trigger lock-off button
- 10 Trigger
- 11 Pressure washer unit
- 12 Speed selector switch (Hi/Low)
- 13 Boost button
- 14 Battery port cover
- 15 Roll cage
- 16 Telescoping handle
- 17 Handle release button
- 18 Garden hose water intake
- 19 High pressure water outlet
- 20 Spray gun handle storage hook
- 21 Wheels
- 22 Adjustable (spray fan/pencil) nozzle
- 23 Turbo/Rotating nozzle (Not for use on vehicles or glass)
- 24 Transparent inlet filter
- 25 Nozzle cleaning pin
- 26 Soap bottle 0.6L
- 27 Hose storage strap




SAFETY INSTRUCTIONS




WARNING! When using mains-powered/cordless appliances, basic safety precautions, including the following, should always be followed to reduce the risk of fire, electric shock, personal injury and material damage.





WARNING: When using this pressure washer, basic safety precautions should always be followed including the following:

- This machine is not intended for use by persons (including children) with reduced physical, sensory or mental capabilities, or lack of experience and knowledge.
 - Children should be supervised to ensure that they do not play with the appliance.
 - Read all the instructions before using the product.
 - To reduce the risk of injury, close supervision is necessary when a product is used near children.
 - Know how to stop the product and bleed pressures quickly. Be thoroughly familiar with the controls.
 - Stay alert – watch what you are doing.
 - Do not operate the product when fatigued or under the influence of alcohol or drugs.
 - Keep operating area clear of all persons and animals.
 - Do not overreach or stand on unstable support. Keep good footing and balance at all times.
 - Follow the maintenance instructions specified in the manual.
-  **WARNING:** Risk of injection or injury – do not direct discharge stream at persons or animals.
-  **WARNING:** Read this entire manual before attempting to assemble, operate or install the product.
-  **WARNING:** This unit was designed for specific applications. It should not be modified and/or used for any application other than that which it was designed.
- NOTICE:** Always store your pressure washer in a location where the temperature will not fall below 40 °F (4 °C). Freeze damage is not covered by the warranty.
1. Do not touch plug or outlet with wet hands.
 2. **Avoid accidental starts.** Move switch on unit to OFF position before connecting or disconnecting batteries.
 3. Water spray must never be directed towards any electric wiring or directly towards the pressure washer machine itself or fatal electric shock may occur.
 4. **The narrow pinpoint stream is very powerful.** It is not recommended for use on painted surfaces, wood surfaces or items attached with an adhesive backing.
 5. Keep operating area clear of all persons and animals.
 6. Always use both hands when operating pressure washer to maintain complete control of the wand.
 7. **Do not touch nozzle or water spray while operating.** Never place hands in front of nozzle.
 8. **Wear safety goggles while operating.** Wear protective clothing and footwear to protect against accidental spraying.
 9. Disconnect power plug from the outlet when not in use and prior to the detaching of the high pressure hose.
 10. **Never tie knots or kink the high pressure hose as damage could result. Inspect the high pressure hose regularly. Replace the hose immediately if it is damaged, worn or shows any signs of cracks, bubbles, pinholes, or other leakage.** Never grasp a high-pressure hose that is leaking or damaged.


11. Do not operate or store this product in temperatures below 40 °F (4 °C). Freeze damage is not covered by the warranty.
12. **Carefully observe all chemical instructions and warnings before using. Use only approved pressure washer cleaners. Do not use bleach, chlorine, or any cleaners containing acids.** Always follow manufacturer's label recommendations for proper use of cleaners. Always protect eyes, skin and respiratory system from cleaners.
13. **The pressure washer should not be used in areas where gas vapors may be present.** An electric spark could cause an explosion or fire.
14. To minimise the amount of water getting into the pressure washer, the unit should be placed as far as possible from the cleaning site during operation.
15. To prevent accidental discharge, the spray gun should be secured by locking the trigger when not in use.
16. To allow free air circulation, the pressure washer should NOT be covered during operation.
17. Never touch, grasp or attempt to cover a pinhole or similar water leak on the high-pressure hose. The stream of water IS under high pressure and WILL penetrate skin.
18. Use only hoses and accessories rated for pressure higher than your pressure washer's PSI / Bar. Never use with any other manufacturer's accessories or components.
19. Never defeat the safety features of this product.
20. Do not operate machine with missing, broken or unauthorised parts.
21. Never spray flammable liquids or use pressure washer in areas containing combustible dust, liquid, or vapors.


 **WARNING:** This machine has been designed for use with the cleaning agent supplied or recommended by the manufacturer. The use of other cleaning agents or chemicals may adversely affect the safety of the machine.


 **WARNING:** During use of high pressure cleaners, aerosols may be formed. Inhalation of aerosols can be hazardous to health.


 **WARNING:** High pressure jets can be dangerous if subject to misuse. The jet must not be directed at persons, live electrical equipment or the machine itself.

 **WARNING:** Do not use the machine within range of persons unless they wear protective clothing.


 **WARNING:** Do not direct the jet against yourself or others in order to clean clothes or footwear.


 **WARNING:** Risk of explosion – Do not spray flammable liquids.


 **WARNING:** High pressure cleaners shall not be used by children or untrained personnel.


 **WARNING:** High pressure hoses, fittings and couplings are important for the safety of the machine. Use


only hoses, fittings and couplings recommended by the manufacturer.


 **WARNING:** To ensure machine safety, use only original spare parts from the manufacturer or approved by the manufacturer.


 **WARNING:** Water that has flowed through backflow preventers is considered to be nonpotable.

 **WARNING:** The machine shall be disconnected from its power source during cleaning or maintenance and when replacing parts.

 **WARNING:** Do not use the machine if important parts of the machine are damaged, e.g., safety devices, high pressure hoses, trigger gun.


 **WARNING:** Always switch off the mains disconnecting switch when leaving the machine unattended.

 **WARNING:** Depending on the application, shielded nozzles can be used for high pressure cleaning, which will reduce the emission of hydrous aerosols dramatically. However, not all applications allow the use of such a device. If shielded nozzles are not applicable for the protection against aerosols, a respiratory mask of class FFP 2 or equivalent may be needed, depending on the cleaning environment.

 **WARNING! High pressure jets can be dangerous if subject to misuse.**




According to the applicable regulations, the appliance must never be used on the drinking water network without a system separator. Use a separator as per IEC 61770. Water flowing through a system separator is considered not drinkable.

 Read all of this manual carefully before operating the appliance.

- The intended use is described in this manual. The use of any accessory or attachment or the performance of any operation with this appliance other than those recommended in this instruction manual may present a risk of personal injury.
- Retain this manual for future reference.

Vibration

The declared vibration emission values stated in the technical data and the declaration of conformity have been measured in accordance with a standard test method provided by EN60335-2-79 and may be used for comparing one tool with another. The declared vibration emission value may also be used in a preliminary assessment of exposure.

 **WARNING:** The vibration emission value during actual use of the pressure washer can differ from the declared value depending on the ways in which the tool is used. The vibration level may increase above the level stated.

When assessing vibration exposure to determine safety measures required by 2002/44/EC to protect persons regularly using power tools in employment, an estimation of vibration exposure should consider the actual conditions of use and the way the tool is used, including taking account of all parts of the operating cycle such as the times when the tool is switched off and when it is running idle in addition to the trigger time.

Safety of Others

- *This machine can be used by people with reduced physical, sensory or mental capabilities or lack of experience and knowledge if they have been given supervision or instruction concerning use of the machine in a safe way and understand the hazards involved.*
- *Machines shall not be used by children. Children should be supervised to ensure that they do not play with the machine.*

ADDITIONAL SAFETY INSTRUCTIONS FOR PRESSURE CLEANERS

- To protect your feet and legs while operating the appliance, always wear heavy duty footwear and long trousers.
- Always switch off your product and remove the battery:
 - When you leave your product unattended.
 - When clearing a blockage.
 - When checking, adjusting, cleaning or working on your product.
 - If the appliance starts to vibrate abnormally.
- Do not place the inlet or outlet of the pressure cleaner near eyes or ears when operating. Never point in the direction of bystanders.
- Do not use in the rain or leave outdoors while it is raining.
- Do not cross gravel paths or roads whilst your product is switched on. Walk, never run.
- Do not place your unit down on gravel while it is switched on.
- Always be sure of your footing, particularly on slopes.
- Do not overreach and keep your balance at all times.
- Do not place any objects into the openings. Never use if the openings are blocked - keep free of hair, lint, dust and anything that may reduce the airflow.

⚠ WARNING! Always use your product in the manner outlined in this manual. Your product is designed to be used in an upright mode and if it is used in any other way it may result in injury. Never run your product whilst lying on its side or upside down.

- The operator or user is responsible for accidents or hazards occurring to other people or their property.

Labels on Appliance

The following warning symbols are found on the appliance along with the date code:



Read the manual prior to operation.



Always remove the battery from the appliance before performing any cleaning or maintenance.



Machine not suitable for connection to the potable water mains.



Directive 2000/14/EC guaranteed sound power.



Never direct the water jet at people, animals, the machine or electric components.

Using Your Appliance

Always take care when using the appliance.

- The liquid or steam must not be directed towards equipment containing electrical components, such as the interior of ovens.
- The appliance is not to be used if it has been dropped, if there are visible signs of damage or if it is leaking.
- Always use safety glasses or goggles.
- Do not allow children or animals to come near the work area or to touch the appliance.
- Close supervision is necessary when the appliance is used near children.
- This appliance is not intended for use by young or infirm persons without supervision.
- This appliance is not to be used as a toy.
- Only use the appliance in daylight or good artificial light.
- Use in a dry location only. Do not allow the appliance to become wet.
- Avoid using the appliance in bad weather conditions, especially when there is a risk of lightning.
- Do not immerse the appliance in water.
- Do not open the body casing. There are not user-serviceable parts inside.
- Do not operate the appliance in explosive atmospheres, such as in the presence of flammable liquids, gases or dust.

Residual Risks

Additional residual risks may arise when using the tool which may not be included in the enclosed safety warnings.

These risks can arise from misuse, prolonged use, etc. Even with the application of the relevant safety regulations and the implementation of safety devices, certain residual risks cannot be avoided. These include:

- Injuries caused by touching any rotating/moving parts.
- Injuries caused when changing any parts, blades or accessories.
- Injuries caused by prolonged use of a tool. When using any tool for prolonged periods ensure you take regular breaks.
- Impairment of hearing.
- Health hazards caused by breathing dust developed when using your tool (example: working with wood, especially oak, beech and MDF).

After Use

- When not in use, the appliance should be stored in a dry, well ventilated place out of reach of children.
- Children should not have access to stored appliances.
- When the appliance is stored or transported in a vehicle it should be placed in the boot or restrained to prevent movement following sudden changes in speed or direction.

Inspection and Repairs

- Before use, check the appliance for damaged or defective parts. Check for breakage of parts and any other conditions that may affect its operation.
- Do not use the appliance if any part is damaged or defective.
- Have any damaged or defective parts repaired or replaced by an authorised repair agent.
- Never attempt to remove or replace any parts other than those specified in this manual.

Chargers

STANLEY FATMAX chargers require no adjustment and are designed to be as easy as possible to operate.

Electrical Safety

The electric motor has been designed for one voltage only. Always check that the battery pack voltage corresponds to the voltage on the rating plate. Also make sure that the voltage of your charger corresponds to that of your mains.



Your STANLEY FATMAX charger is double insulated in accordance with EN60335; therefore, no earth wire is required.

If the supply cord is damaged, it must be replaced only by STANLEY FATMAX or an authorised service organisation.

Using an Extension Cable

An extension cord should not be used unless absolutely necessary. Use an approved extension cable suitable for the power input of your charger (refer to **Technical Data**). The minimum conductor size is 1 mm²; the maximum length is 30 m.

When using a cable reel, always unwind the cable completely.

Important Safety Instructions for All Battery Chargers

SAVE THESE INSTRUCTIONS: This manual contains important safety and operating instructions for compatible battery chargers (refer to **Technical Data**).

- *Before using charger, read all instructions and cautionary markings on charger, battery pack, and product using battery pack.*



WARNING: Shock hazard. Do not allow any liquid to get inside charger. Electric shock may result.



WARNING: We recommend the use of a residual current device with a residual current rating of 30mA or less.



CAUTION: Burn hazard. To reduce the risk of injury, charge only STANLEY FATMAX rechargeable batteries. Other types of batteries may burst, causing personal injury and damage.



CAUTION: Children should be supervised to ensure that they do not play with the appliance.

NOTICE: Under certain conditions, with the charger plugged into the power supply, the exposed charging contacts inside the charger can be shorted by foreign material. Foreign materials of a conductive nature such as, but not limited to, steel wool, aluminium foil or any buildup of metallic particles should be kept away from charger cavities. Always unplug the charger from the power supply when there is no battery pack in the cavity. Unplug charger before attempting to clean.

- **DO NOT attempt to charge the battery pack with any chargers other than the ones in this manual.** The charger and battery pack are specifically designed to work together.
- **These chargers are not intended for any uses other than charging STANLEY FATMAX rechargeable batteries.** Any other uses may result in risk of fire, electric shock or electrocution.
- **Do not expose charger to rain or snow.**
- **Pull by plug rather than cord when disconnecting charger.** This will reduce risk of damage to electric plug and cord.
- **Make sure that cord is located so that it will not be stepped on, tripped over, or otherwise subjected to damage or stress.**
- **Do not use an extension cord unless it is absolutely necessary.** Use of improper extension cord could result in risk of fire, electric shock, or electrocution.

- **Do not place any object on top of charger or place the charger on a soft surface that might block the ventilation slots and result in excessive internal heat.** Place the charger in a position away from any heat source. The charger is ventilated through slots in the top and the bottom of the housing.
- **Do not operate charger with damaged cord or plug—** have them replaced immediately.
- **Do not operate charger if it has received a sharp blow, been dropped, or otherwise damaged in any way.** Take it to an authorised service centre.
- **Do not disassemble charger; take it to an authorised service centre when service or repair is required.** Incorrect reassembly may result in a risk of electric shock, electrocution or fire.
- In case of damaged power supply cord, the supply cord must be replaced immediately by the manufacturer, its service agent or similar qualified person to prevent any hazard.
- **Disconnect the charger from the outlet before attempting any cleaning. This will reduce the risk of electric shock.** Removing the battery pack will not reduce this risk.
- **NEVER** attempt to connect two chargers together.
- **The charger is designed to operate on standard 230V household electrical power. Do not attempt to use it on any other voltage.** This does not apply to the vehicular charger.

Charger Cleaning Instructions



WARNING: Shock hazard. Disconnect the charger from the AC outlet before cleaning. Dirt and grease may be removed from the exterior of the charger using a cloth or soft non-metallic brush. Do not use water or any cleaning solutions. Never let any liquid get inside the tool; never immerse any part of the tool into a liquid.

Battery Packs

Important Safety Instructions for All Battery Packs

When ordering replacement battery packs, be sure to include catalogue number and voltage.

The battery pack is not fully charged out of the carton. Before using the battery pack and charger, read the safety instructions below. Then follow charging procedures outlined.

READ ALL INSTRUCTIONS

- **Do not charge or use battery in explosive atmospheres, such as in the presence of flammable liquids, gases or dust.** Inserting or removing the battery from the charger may ignite the dust or fumes.
- **Never force battery pack into charger. Do not modify battery pack in any way to fit into a non-compatible charger as battery pack may rupture, causing serious personal injury.**

- Charge the battery packs only in STANLEY FATMAX chargers.
- **DO NOT** splash or immerse in water or other liquids.
- **Do not store or use the tool and battery pack in locations where the temperature may fall below 4 °C (40 °F) (such as outside sheds or metal buildings in winter), or reach or exceed 40 °C (104 °F) (such as outside sheds or metal buildings in summer).**
- **Do not incinerate the battery pack even if it is severely damaged or is completely worn out.** The battery pack can explode in a fire. Toxic fumes and materials are created when lithium-ion battery packs are burned.
- **If battery contents come into contact with the skin, immediately wash area with mild soap and water.** If battery liquid gets into the eye, rinse water over the open eye for 15 minutes or until irritation ceases. If medical attention is needed, the battery electrolyte is composed of a mixture of liquid organic carbonates and lithium salts.
- **Contents of opened battery cells may cause respiratory irritation.** Provide fresh air. If symptoms persist, seek medical attention.



WARNING: Burn hazard. Battery liquid may be flammable if exposed to spark or flame.



WARNING: Never attempt to open the battery pack for any reason. If battery pack case is cracked or damaged, do not insert into charger. Do not crush, drop or damage battery pack. Do not use a battery pack or charger that has received a sharp blow, been dropped, run over or damaged in any way (i.e., pierced with a nail, hit with a hammer, stepped on). Electric shock or electrocution may result. Damaged battery packs should be returned to service centre for recycling.



WARNING: Fire hazard. Do not store or carry the battery pack so that metal objects can contact exposed battery terminals. For example, do not place the battery pack in aprons, pockets, tool boxes, product kit boxes, drawers, etc., with loose nails, screws, keys, etc.



CAUTION: When not in use, place tool on its side on a stable surface where it will not cause a tripping or falling hazard. Some tools with large battery packs will stand upright on the battery pack but may be easily knocked over.

Transportation



WARNING: Fire hazard. Transporting batteries can possibly cause fire if the battery terminals inadvertently come into contact with conductive materials. When transporting batteries, make sure that the battery terminals are protected and well-insulated from materials that could contact them and cause a short circuit. **NOTE:** Lithium-ion batteries should not be put in checked baggage.

STANLEY FATMAX batteries comply with all applicable shipping regulations as prescribed by industry and legal

standards, which include UN Recommendations on the Transport of Dangerous Goods; International Air Transport Association (IATA) Dangerous Goods Regulations; International Maritime Dangerous Goods (IMDG) Regulations; and the European Agreement Concerning The International Carriage of Dangerous Goods by Road (ADR). Lithium-ion cells and batteries have been tested to section 38.3 of the UN Recommendations on the Transport of Dangerous Goods Manual of Tests and Criteria.

In most instances, shipping a STANLEY FATMAX battery pack will be excepted from being classified as a fully regulated Class 9 Hazardous Material. In general, only shipments containing a lithium-ion battery with an energy rating greater than 100 Watt Hours (Wh) will require being shipped as fully regulated Class 9. All lithium-ion batteries have the Wh rating marked on the pack. Furthermore, due to regulation complexities, STANLEY FATMAX does not recommend air shipping lithium-ion battery packs alone regardless of Wh rating. Shipments of tools with batteries (combo kits) can be air shipped as excepted if the Wh rating of the battery pack is no greater than 100 Wh.

Regardless of whether a shipment is considered excepted or fully regulated, it is the shipper's responsibility to consult the latest regulations for packaging, labeling/marketing and documentation requirements.

The information provided in this section of the manual is provided in good faith and believed to be accurate at the time the document was created. However, no warranty, expressed or implied, is given. It is the buyer's responsibility to ensure that its activities comply with the applicable regulations.

Storage Recommendations

1. The best storage place is one that is cool and dry away from direct sunlight and excessive heat or cold. For optimum battery performance and life, store battery packs at room temperature when not in use.
2. For long storage, it is recommended to store a fully charged battery pack in a cool, dry place out of the charger for optimal results.

NOTE: Battery packs should not be stored completely depleted of charge. The battery pack will need to be recharged before use.

Labels on Charger and Battery Pack

In addition to the pictographs used in this manual, the labels on the charger and the battery pack may show the following pictographs:



Read instruction manual before use.



See **Technical Data** for charging time.



Do not probe with conductive objects.



Do not charge damaged battery packs.



Do not expose to water.



Have defective cords replaced immediately.



Charge only between 4 °C and 40 °C.



Only for indoor use.



Discard the battery pack with due care for the environment.



Charge STANLEY FATMAX battery packs only with designated STANLEY FATMAX chargers. Charging battery packs other than the designated STANLEY FATMAX batteries with a STANLEY FATMAX charger may make them burst or lead to other dangerous situations.



Do not incinerate the battery pack.



USE (without transport cap). Example: Wh rating indicates 108 Wh (1 battery with 108 Wh).



TRANSPORT (with built-in transport cap). Example: Wh rating indicates 3 x 36 Wh (3 batteries of 36 Wh).

Charging a Battery

STANLEY FATMAX chargers are designed to charge STANLEY FATMAX battery packs.

- Plug the charger into an appropriate outlet.
- Insert and fully seat battery pack. Green charging light will continuously blink while charging.
- Charging is complete when the green charging light remains continuously ON. Battery pack can be left in charger or removed.
- Recharge discharged batteries as soon as possible after use or battery life may be greatly diminished. For longest battery life, do not discharge batteries fully. It is recommended that the batteries be recharged after each use.

Charger Diagnostics

This charger is designed to detect certain problems that can arise with the battery packs or the power source. Problems are indicated by one LED flashing in different patterns.

Bad Battery

The charger can detect a weak or damaged battery. The LED flashes in the pattern indicated on the label. If you see this bad battery blink pattern, do not continue to charge the battery. Return it to a service centre or a collection site for recycling.

Hot/Cold Pack Delay

When the charger detects a battery that is excessively hot or excessively cold, it automatically starts a Hot/Cold Pack Delay, suspending charging until the battery has normalised. After this happens, the charger automatically switches to the Pack Charging mode. This feature ensures maximum battery life. The light flashes in the pattern indicated on the label.

Leaving the Battery in the Charger

The charger and battery pack can be left connected with the LED glowing indefinitely. The charger will keep the battery pack fresh and fully charged.

This charger features an automatic tune-up mode which equals or balances the individual cells in the battery pack to allow it to function at peak capacity.

Battery packs should be tuned up weekly or whenever the battery no longer delivers the same amount of work. To use the automatic tune-up mode, place the battery pack in the charger and leave it for at least 8 hours.

ASSEMBLY AND ADJUSTMENTS



WARNING! To reduce the risk of serious personal injury, turn unit off and remove the battery pack before making any adjustments or removing/installing attachments or accessories. An accidental start-up can cause injury.

Telescoping Handle (Fig. A, B)

This pressure washer has a convenient, built-in telescoping handle and transport wheels.

1. To unlock the telescoping handle **16**, press the handle release button **17** and slide the handle upwards. You will hear an audible click when it snaps into position.
2. To store the telescoping handle **16**, press the handle release button **17** and slide the telescoping handle down and into the pressure washer body. You will hear an audible click when it snaps into position.
3. To move the pressure washer, tilt the unit so the transport wheels **21** are touching the ground and pull the unit by the telescoping handle.

Attaching Spray Gun (Fig. C)

1. To connect the spray gun **7** to the spray lance **5**, insert the end of the spray gun onto the end of the spray lance.
2. Press in and turn the spray gun counterclockwise to lock it into position.

Attaching High Pressure Hose (Fig. A, D)



CAUTION: NEVER PULL WATER SUPPLY HOSE TO MOVE pressure washer. This could damage hose and/or pump inlet.

This pressure washer has a hook and loop hose storage strap **27** on the roll cage **15** (Fig. A) of the pressure washer unit to store the coiled high pressure hose **1**.

NOTE: Uncoil the high pressure hose **1** before installation to prevent kinks.

NOTE: Avoid cross threading when installing the hose. Cross threading will cause leaks.

1. To connect the high pressure hose **1** to the spray gun **7**, thread the hose collar **28** onto the inlet coupler **29**.
2. To connect the high pressure hose to the pressure washer unit **11**, thread the hose collar **28** onto the high pressure water outlet **19**.

Attaching Garden Hose (Fig. E)

NOTE: Before connecting the garden hose to the pressure washer unit, run water through the garden hose for thirty seconds to clear any debris from inside the garden hose.

1. To connect the garden hose to the pressure washer unit **11**, screw the transparent inlet filter **24** to the garden hose water intake **18**.
2. Connect the garden hose to the hose connector **35** by loosening the screw of the garden connector and attaching the hose onto the connector.
3. Attach the garden hose mounted onto the connector to the transparent inlet filter **24** until it "clicks."

Attaching Nozzles (Fig. F, G2)



DANGER: Risk of fluid injection. Do not direct discharge stream toward persons, unprotected skin, eyes or any pets or animals. Serious injury will occur.



WARNING: Flying objects could cause risk of serious injury. DO NOT attempt to change nozzles while pressure washer is running. Turn pressure washer unit OFF before changing nozzles.

1. To connect a nozzle to the spray lance **5** depress the nozzle button **6** on the spray lance and insert the appropriate nozzle.
2. Release the button to lock the nozzle in place.
3. Give the nozzle a firm tug to ensure the nozzle is locked into place.

Nozzle type	Suitable applications
Adjustable (Spray fan/Pencil) Nozzle	For gentle wide angle cleaning
Turbo/Rotating Nozzle	For abrasive cleaning

NOTE: The Turbo/Rotating nozzle **23** (refer to Fig. G2) is suitable for cleaning concrete and masonry. We do not

recommend using this nozzle for car/vehicle cleaning as it can cause damage to the surface.

Adjusting Spray Pattern of the Adjustable Nozzle from Spray Fan to Pencil (Fig. G1)

The angle of spray coming out of the spray lance may be adjusted by rotating the nozzle. This will vary the spray pattern from approximately a 0° narrow high impact stream to a 60° wide fan spray. A wide fan pattern distributes the impact of the water over a larger area, resulting in excellent cleaning action with a reduced risk of surface damage. Large surface areas can be cleaned more quickly using a wide fan pattern. A narrow pencil jet stream distributes the impact of the water in a concentrated area, resulting in a high impact force on the cleaning surface. Use a narrow pencil jet stream for deep cleaning in a concentrated area. However, use it cautiously, as it may damage some surfaces.

To Attach the Self Priming Suction Hose (Fig. H)

Use the suction hose to pull water from a bucket or other fresh water source.

NOTICE: Do not use to suction soap, chemicals, dirty or corrosive liquids, such as window cleaner, plant food, fertilizers or bleach. Do not use with salt water.

NOTE: Avoid cross threading when installing the suction hose. Cross threading will cause leaks.

- To connect the self priming suction hose **2** to the pressure washer unit, thread the suction hose collar **31** onto the water intake **18**.

- Securely tighten the suction hose collar **31** by hand.

NOTE: Always disconnect the suction hose after usage.

- Place other end of suction hose, with the suction hose filter **4** on it, into a container of fresh water or a fresh water source.
- Adjust the float ball **3** on the suction hose so the suction hose filter **4** stays covered in the liquid.
- Select the correct nozzle to be used. Refer to

Attaching Nozzles.

- After the job being performed is complete, place the suction hose into a container of clean water and draw the clean water through the system to rinse.

Removing Soap Bottle from Storage (Fig. I)

Always completely empty the soap bottle **26** before storing.

- Unlock the telescoping handle **16**, and slide it upwards so you can access the soap bottle **26**.
- To remove the soap bottle **26** from the built-in storage space in the pressure washer unit, grasp the soap bottle with one hand and pull it out and away from the pressure washer unit.

- To place the soap bottle **26** into its storage slot, press the soap bottle firmly into the storage slot until it snaps into the built-in storage space in the pressure washer unit.
- Ensure that soap bottle is secured into the storage position by gently tugging on the soap bottle.

Attaching Soap Bottle (Fig. J)

- To connect the soap bottle **26** to the spray gun **7**, pull the nozzle button **6** toward the spray gun and insert the soap bottle.
- Release the quick connect collar to lock the soap bottle in place.
- Give the soap bottle a firm tug after the quick connect collar has locked into place to ensure the soap bottle is locked into place.

NOTE: The soap bottle should be positioned with the bottle towards the ground. Do not position the soap bottle above the spray lance as this will lead to soap dripping on the spray lance.

OPERATION

WARNING: To reduce the risk of serious personal injury, turn unit off and remove the battery pack before making any adjustments or removing/installing attachments or accessories. An accidental start-up can cause injury.

Installing and Removing the Battery Packs (Fig. K)

This pressure washer is designed to operate on two battery packs of equal capacity. The pressure washer will not operate on a single battery pack, and if using different capacity battery packs, the smaller capacity battery pack, when depleted, will cause the unit to turn off.

NOTE: For best results, make sure your battery packs are both fully charged.

For optimum performance and runtime, we recommend using 4.0Ah (SFMCB204) or 6.0Ah (SFMCB206) battery packs. The pressure washer requires 2 x batteries to run.

To Install the Battery Packs

WARNING: Ensure speed selector switch is in the OFF, centred position, before installing battery packs.

CAUTION: Unit stops running when the battery port cover is open. If the speed selector switch is in the HI or LO position the unit will power ON when the battery port cover closes.

CAUTION: Do not hold the trigger when closing the battery port cover.

- Lift and hold the battery port cover **14** up to expose the battery ports.
- Align the battery packs **32** with the rails inside the battery port and slide them in until the battery packs are firmly seated in the tool and ensure that they will not disengage.

- Close the battery port cover **14**. Ensure the cover is fully latched into position before starting tool.

NOTE: The unit will not operate if the battery door is not fully closed.

To Remove the Battery Packs

- Lift and hold the battery port cover **14** up to expose the battery packs **32**.
- Press the battery release buttons **33** on the battery packs **32** and firmly pull the battery packs out of tool.
- Insert the batteries into a charger as described in the charger section of this manual.

Proper Hand Position (Fig. L)



WARNING: To reduce the risk of serious personal injury, **ALWAYS** use proper hand position as shown.



WARNING: To reduce the risk of serious personal injury, **ALWAYS** hold securely in anticipation of a sudden reaction.

Proper hand position requires one hand on the spray gun handle grip **8** and the other hand on the spray gun **7**.

Speed Selector Switch (Fig. A, M)

This pressure washer gives you the choice to operate at a high pressure or lower pressure for more delicate jobs, and can also boost pressure for high-performance cleaning.

The speed switch selector **12** toggles to three positions;

- Off, centred.
- HI, right side.
- LO, left side.

To turn the pressure washer ON, toggle the speed switch selector **12** to the right or left positions.

To turn the pressure washer OFF, toggle the speed switch selector **12** to the centre position.

For higher pressure washing, press the speed switch selector **12** to the right to the "HI" position. This mode is best for applications that need higher PSI.

For lower pressure washing, press the speed switch selector **12** to the left to the "LO" position. This mode is best for projects that require a more delicate cleaning. This mode also generally offers more runtime.

NOTE: When in "HI" mode, runtime will be decreased as compared to when pressure washer is in "LO" mode.

To activate Boost mode, press the boost button **13**, the green LED will illuminate when activated. This mode is best for applications that require maximum available PSI.

NOTE: Boost mode will only function for up to five minutes. You can press the boost button again to exit boost mode before five minutes and you will go back to the mode the speed switch selector **12** is set to. When you near the end of five minutes the green LED will start to flash, and the unit will return to the mode the speed switch selector is set to after boost mode times out.

NOTE: After boost mode is used for a full five minutes, the unit requires a cool down cycle before boost mode can be reactivated. The green LED will flash, for approximately eight minutes, until the cool down cycle is complete. Once the cool down cycle is complete, the green LED will turn off. Boost mode can now be used again by pressing the boost button.

NOTE: The unit can be used in high or low mode during the cool down cycle.

Pressure Washing (Fig. A–M)



WARNING: To reduce the risk of serious personal injury, turn unit off and remove the battery pack before making any adjustments or removing/installing attachments or accessories. An accidental start-up can cause injury.

Preparing Surface for Cleaning

- Remove objects from the area which could create a hazard such as children's toys or outdoor furniture.
- Ensure that all doors and windows are closed tight. Protect all plants and trees in the adjacent area with a drop cloth ensuring that they will not be harmed by any overspray.
- Pre-rinse cleaning area with fresh water.
- Use only detergents formulated for pressure washers.
- Always test detergent in an inconspicuous area before use.

Preparing Pressure Washer Unit for Use



DANGER: Risk of fluid injection and laceration. When using the high-pressure setting, DO NOT allow the high-pressure spray to come in contact with unprotected skin, eyes, or with any pets or animals. Serious injury will occur.



CAUTION: Before operation:

- Connect the high pressure hose to the pressure washer and the pressure wand.** For instructions on connecting the high pressure hose to the pressure washer and pressure wand, please refer to **Attaching High Pressure Hose under Assembly and Adjustments**.
- Connect the water supply to the pressure washer.** For instructions on connecting the water supply to the pressure washer, please refer to **Attaching Garden Hose under Assembly and Adjustments**.
- Lift and hold the battery port cover **14** up to expose the battery ports. Install the two battery packs **32**. Close the battery port cover. Ensure the cover is fully latched into position, please refer to **To Install the Battery Packs under Installing and Removing the Battery Packs**.

Preparing Spray Lance (Fig. A)

IMPORTANT: Before turning on the pressure washer unit, disengage the trigger lock-off button **9** and squeeze the trigger **10**.

- Spray lance must be assembled before use. Please refer to **Attaching Spray Gun under Assembly and Adjustments**.

2. Disengage the trigger lock-off **9**.
3. Turn on the water supply.
4. Squeeze the trigger **10**. Hold the trigger for 30 seconds to purge the system of air.
5. If air is still found in the water stream, continue to run water through the spray lance.

Cleaning a Surface (Fig. M)

1. To start the pressure washer, toggle the speed switch selector **12** to the HI or LO position.
2. The best angle for spraying water against a cleaning surface is 45°.
 - Spraying head-on tends to cause dirt particles to imbed in the surface.
 - When working on vertical surfaces, it is best to apply detergent starting at the bottom and working upwards which will prevent the detergent from sliding down and causing streaks.
3. To disengage the spray gun, release the trigger.

Moving the Pressure Washer (Fig. A, B)

1. Turn OFF the pressure washer unit **11** and toggle the speed switch selector **12** to the centre position. Then turn off the water supply.
2. Point the spray lance **5** in a safe direction and pull the trigger **10** to release remaining water pressure.
3. When the spray lance is completely empty, pull up the telescoping handle **16** and pull the pressure washer unit using the wheels **21** to your next location.

Shutdown (Fig. A)

1. Turn OFF the pressure washer unit **11** by toggling the speed switch selector **12** to the centre position. Then turn off the water supply and remove the battery packs from the pressure washer unit **11**.
2. Discharge residual pressure by squeezing the trigger **10** until no more water comes out of the spray lance **5**.
3. Engage the spray trigger lock-off button **9**.
4. Disconnect the garden hose from the water intake **18**.
5. Disconnect the high pressure hose **1** from the high pressure water outlet **19** and drain hose.

Nozzle Cleaning (Fig. A, N)



WARNING: To reduce the risk of serious personal injury, turn unit off and remove the battery pack before making any adjustments or removing/installing attachments or accessories. An accidental start-up can cause injury.

If the nozzle becomes clogged with foreign materials, such as dirt, excessive pressure may develop. If the nozzle becomes partially clogged or restricted, the pump pressure will pulsate. Clean the nozzle immediately using the nozzle cleaner.

1. Turn OFF the pressure washer unit **11** by toggling the speed switch selector **12** to the center position.

2. Turn off the water supply and remove the battery packs from the pressure washer unit **11**.
3. Pull trigger **10** on spray gun **7** to relieve any water pressure.
4. Remove the nozzle from the spray lance by depressing the button.
5. Using the nozzle cleaning pin **25** unplug any debris from the nozzle.
6. Run water from a faucet or garden hose through the nozzle.

Self Priming Suction Hose (Fig. H)

1. To clean the self priming suction hose **2**, shut off the pressure washer.
2. Pull the trigger switch to relieve any water pressure.
3. Remove the suction hose **2** from the pressure washer.
4. To clean the suction hose, use water from a garden hose to thoroughly rinse out the suction hose and allow it to fully dry.

Suction Hose Filter (Fig. O)

1. Turn the suction hose filter **4** on the end of the self priming suction hose **2** counterclockwise and remove.
2. Remove the strainer from inside of the filter.
3. Rinse all of the parts with clean water and reassemble.

MAINTENANCE



WARNING: To reduce the risk of serious personal injury, turn unit off and remove the battery pack before making any adjustments or removing/installing attachments or accessories. An accidental start-up can cause injury.

Your STANLEY FATMAX power tool has been designed to operate over a long period of time with a minimum of maintenance. Continuous satisfactory operation depends upon proper tool care and regular cleaning.

Cleaning



WARNING: Blow dirt and dust out of the main housing with dry air as often as dirt is seen collecting in and around the air vents. Wear approved eye protection and approved dust mask when performing this procedure.



WARNING: Never use solvents or other harsh chemicals for cleaning the non-metallic parts of the tool. These chemicals may weaken the plastic materials used in these parts. Use a cloth dampened only with water and mild soap. Never let any liquid get inside the tool; never immerse any part of the tool into a liquid.

Storage (Fig. A, H, I, P-R)

- Store in a dry, covered location above freezing temperature. **STORE INDOORS.**
- Always completely empty water from high pressure hose, pressure washer unit, spray lance, nozzles, soap bottle, and spray gun.

- The soap bottle **26** snaps into place on the unit, as shown in Fig. I.
- Nozzles can be stored on the unit as shown in Fig. P.
- Spray lance can be stored, broken down into two pieces.
 - The spray lance can be stored in the lance storage compartment **34** on the back of the pressure washer unit as shown in Fig. Q.
 - The spray gun can be attached to the spray gun handle storage hook **20** on the roll cage **15** as shown in Fig. R.
- High pressure hose **1** and self priming suction hose **2** (Fig. A) can be stored coiled up and secured to the roll cage **15** using the hook and loop hose storage strap **27** as shown in Fig. R.

Accessories



WARNING: *Since accessories, other than those offered by STANLEY FATMAX, have not been tested with this product, use of such accessories with this tool could be hazardous. To reduce the risk of injury, only STANLEY FATMAX recommended accessories should be used with this product. Recommended accessories for use with your tool are available at extra cost from your local dealer or authorised service centre.*

Protecting the Environment



Separate collection. Products and batteries marked with this symbol must not be disposed of with normal household waste.

Products and batteries contain materials that can be recovered or recycled, reducing the demand for raw materials. Please recycle electrical products and batteries according to local provisions.

Technical Data

SFMCPW1500		
Power		2 x 18V
Rated Flow Rate	L/min	4.5
Max Flow Rate	L/min	5.0
Rated Pressure (Bar/PSI/MPa)	Bar/ PSI/ MPa	103/1500/10.3
Max Pressure (Bar/PSI/MPa)	Bar/ PSI/ MPa	145/2103/14.5
Max Water Inlet Temperature	C	50
Inlet Water		Cold clean water
Guaranteed sound power level	L _{wa} dB(A)	95
Maximum Input Pressure	MPa	1
Motor Protection		IPX5
Motor Type		Brushless
Pump		Aluminium
Self Priming		Yes
Hose Length		M
Integrated Filter		Yes
Weight	Kg	9.3

Charger		SFMCB12
Input Voltage	V _{ac}	230
Output Voltage	V _{dc}	18
Current	A	2

Battery		SFMCB202	SFMCB204	SFMCB206
Voltage	V _{dc}	18	18	18
Capacity	Ah	2.0	4.0	6.0
Type		Li-Ion	Li-Ion	Li-Ion

SFMCPW1500

Emission sound pressure level LPA: 80 dB(A); K=3.0 dB(A)

Measured sound power level: LWA: 92 dB(A); K=2.4 dB(A)

Vibration emission value ah: less than 2.5 m/s² ; K=0.6 m/s²

EC DECLARATION OF CONFORMITY**MACHINERY DIRECTIVE
OUTDOOR NOISE DIRECTIVE**

SFMCPW1500 Pressure Washer

STANLEY FATMAX declares that these products described under "Technical data" are in compliance with:

2006/42/EC, EN 60335-1:2012+A11:2014+A13:2017+A1:2019
+A14:2019+A2:2019+A15:2021, EN60335-2-79:2012.

2000/14/EC Annex V

LWA (measured sound power level) 92 dB(A),
uncertainty (K) = 2.4 dB (A),

LWA (guaranteed sound power) 95 dB(A).

These products also comply with Directive 2014/30/EU and 2011/65/EU.

The undersigned is responsible for compilation of the technical file and makes this declaration on behalf of STANLEY FATMAX. .

Patrick Diepenbach

Patrick Diepenbach
General Manager, Benelux
Stanley,
Egide Walschaertsstraat 14-18
2800 Mechelen, Belgium
2022.12.30

*Australia & New Zealand
Stanley Black & Decker
www.stanleytools.com.au
www.stanleytools.co.nz
Tel. 1800 338 002 (Aust) or Tel. 0800 339 258 (NZ)
810 Whitehorse Road Box Hill VIC 3128, Australia*