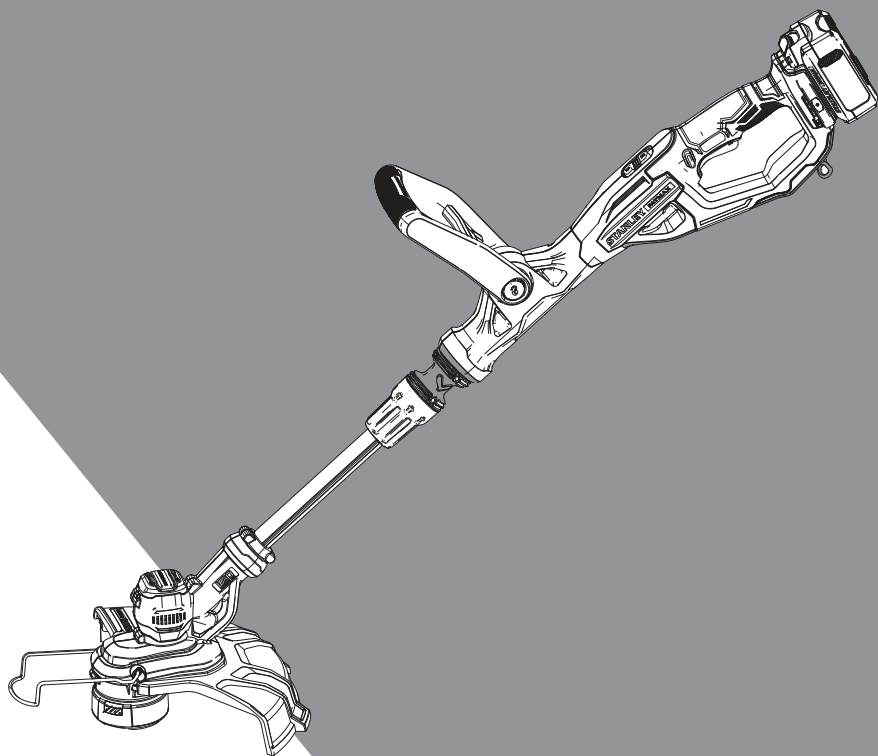
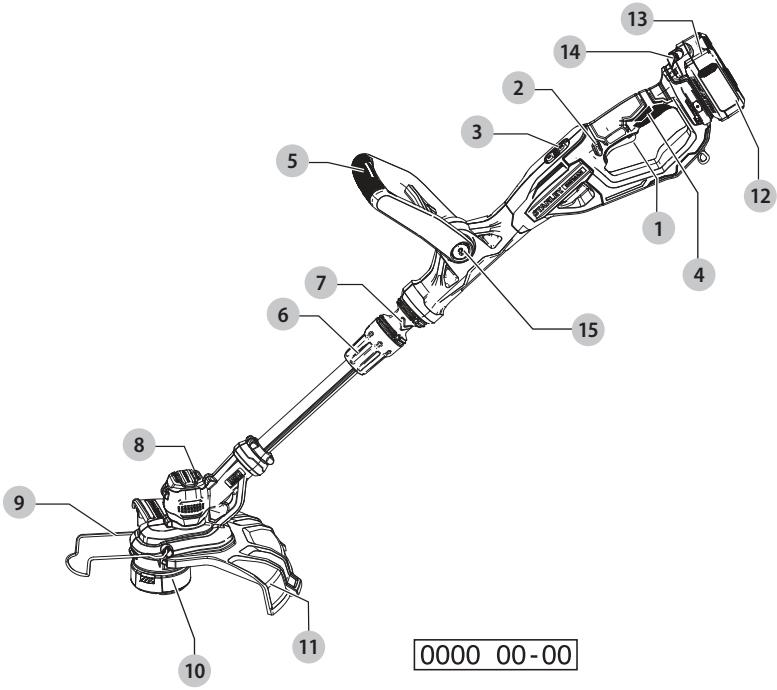


STANLEY[®] **V20** **FATMAX[®]** LITHIUM ION



SFMCST933

Fig. A



0000 00-00

Fig. B

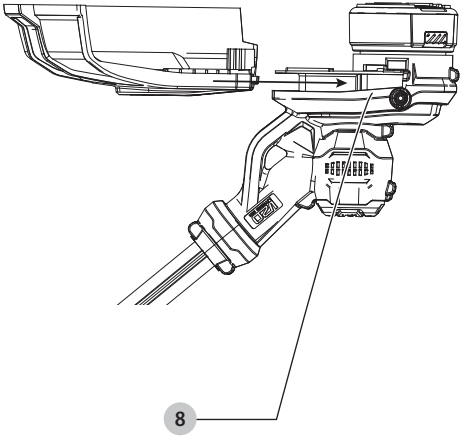


Fig. C

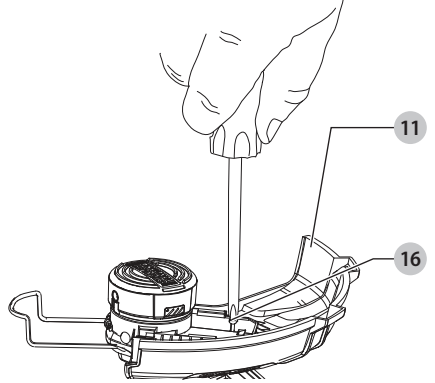


Fig. D

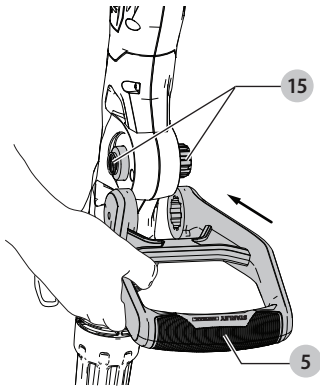


Fig. E

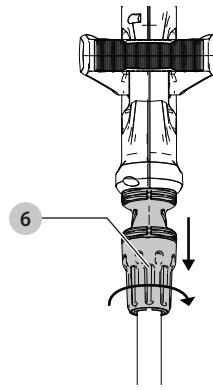


Fig. F

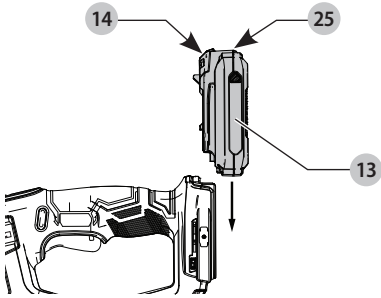


Fig. G

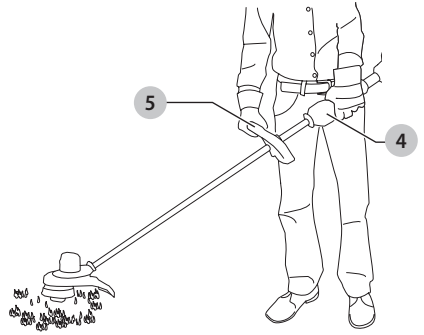


Fig. H

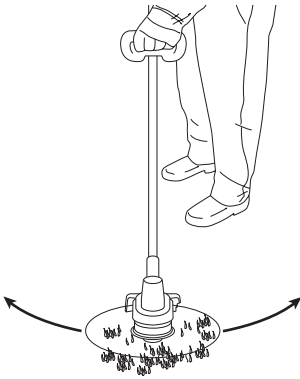
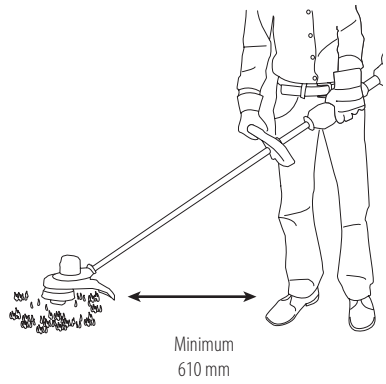
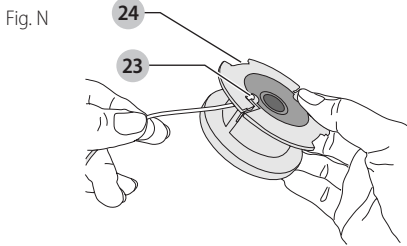
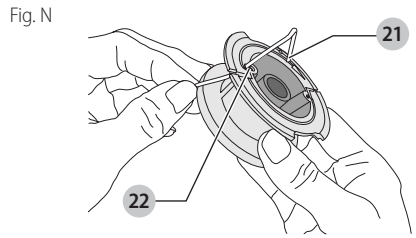
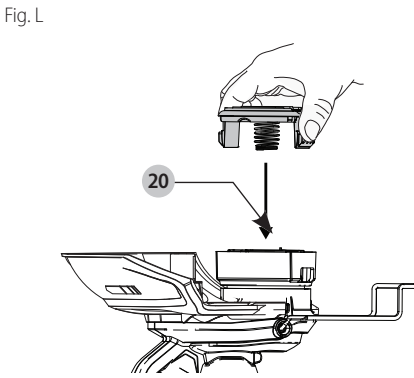
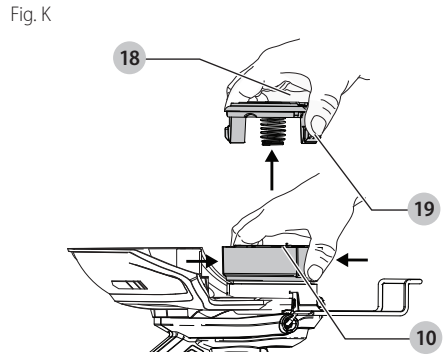
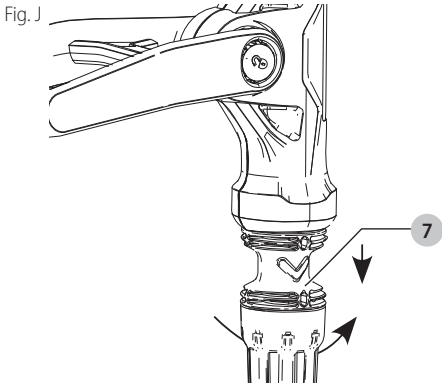


Fig. I





GRASS TRIMMER

SFMCST933

Congratulations!

You have chosen a STANLEY FATMAX tool. Years of experience, thorough product development and innovation make STANLEY FATMAX one of the most reliable partners for professional power tool users.

Technical Data

		SFMCST933
Voltage	V _{DC}	18
UK & Ireland	V _{DC}	18
Type		1
RPM	/min	5500-7200
Cutting Swath Size	mm	330
Weight (without battery pack)	kg	2.4
Noise values and vibration values (triax vector sum). Grass Trimmer mode according to EN50636-2-91:		
L _{PA} (emission sound pressure level)	dB(A)	81.0
L _{WA} (sound power level)	dB(A)	94
K (uncertainty for the given sound level)	dB(A)	1.8
Vibration emission value a _h =		
	m/s ²	3.1
Uncertainty K =		
	m/s ²	1.5

The vibration emission level given in this information sheet has been measured in accordance with a standardised test given in EN50636 and may be used to compare one tool with another. It may be used for a preliminary assessment of exposure.

⚠ WARNING: *The declared vibration emission level represents the main applications of the tool. However if the tool is used for different applications, with different accessories or poorly maintained, the vibration emission may differ. This may significantly increase the exposure level over the total working period.*

An estimation of the level of exposure to vibration should also take into account the times when the tool is switched off or when it is running but not actually doing the job. This may significantly reduce the exposure level over the total working period.

Identify additional safety measures to protect the operator from the effects of vibration such as: maintain the tool and the accessories, keep the hands warm, organisation of work patterns.

Battery Cat #	Output Voltage	Charger SFMCB12
SFMCB202	18	X
SFMCB204	18	X
SFMCB206	18	X

"X" Indicates that the battery pack is compatible with that specific charger. Read the instruction manual for more specific information.

EC-Declaration of Conformity

Machinery Directive



Grass Trimmer SFMCST933

STANLEY FATMAX declares that these products described under **Technical Data** are in compliance with:

2006/42/EC, EN60335-1:2012 + A11:2014, EN50636-2-91:2014.

2000/14/EC, Lawn Trimmer, L ≤ 50 cm, Annex VI

DEKRA Certification B.V.

Meander 1051 / P.O. box 5185

6525 MJ ARNHEM / 6802 ED

ARNHEM, Netherlands

Notified Body ID No.: 0344

Level of acoustic power according to 2000/14/EC (Article 12, Annex III, L ≤ 50 cm):

L_{PA} (measured sound pressure level) 81 dB(A)
uncertainty (K) = 1.8 dB (A)

L_{WA} (guaranteed sound power) 96 dB(A)

These products also comply with Directive 2014/30/EU and 2011/65/EU. For more information, please contact STANLEY FATMAX at the following address or refer to the back of the manual.

The undersigned is responsible for compilation of the technical file and makes this declaration on behalf of STANLEY FATMAX.

A. P. Smith

Technical Director

STANLEY FATMAX Europe, Egide Walschaertsstraat14-18,

2800 Mechelen, Belgium


14.08.2019


 **WARNING:** To reduce the risk of injury, read the instruction manual.

Definitions: Safety Guidelines


The definitions below describe the level of severity for each signal word. Please read the manual and pay attention to these symbols.


 **DANGER:** Indicates an imminently hazardous situation which, if not avoided, **will** result in **death or serious injury**.

 **WARNING:** Indicates a potentially hazardous situation which, if not avoided, **could** result in **death or serious injury**.

 **CAUTION:** Indicates a potentially hazardous situation which, if not avoided, **may** result in **minor or moderate injury**.


NOTICE: Indicates a practice **not related to personal injury** which, if not avoided, **may** result in **property damage**.

 Denotes risk of electric shock.

 Denotes risk of fire.

SAFETY INSTRUCTIONS

 **WARNING:** When using mains-powered appliances, basic safety precautions, including the following, should always be followed to reduce the risk of fire, electric shock, personal injury and material damage.

 **WARNING:** When using the machine the safety rules must be followed. For your own safety and bystanders please read these instructions before operating the machine. Please keep the instructions safe for later use.

- Read all of this manual carefully before operating the appliance.
- The intended use is described in this manual. The use of any accessory or attachment or the performance of any operation with this appliance other than those recommended in this instruction manual may present a risk of personal injury.
- Retain this manual for future reference.

IMPORTANT
READ CAREFULLY BEFORE USE
KEEP FOR FUTURE REFERENCE

SAFE OPERATING PRACTICES

Training

- a) **Read the instructions carefully.** Be familiar with the controls and the correct use of the machine.
- b) **Never allow children or people unfamiliar with these instructions to use the machine.** Local regulations can restrict the age of the operator.
- c) Keep in mind that the operator or user is responsible for accidents or hazards occurring to other people or their property.

Preparation

- a) Before use, always visually inspect the machine for damaged, missing or misplaced guards or shields.
- b) Never operate the machine while people, especially children, or pets are nearby.

Operation

- a) Wear eye protection and stout shoes at all times while operating the machine.
- b) Avoid using the machine in bad weather conditions especially when there is a risk of lightning.
- c) Use the machine only in daylight or good artificial light.
- d) Never operate the machine with damaged guards or shields or without guards or shields in place.
- e) Switch on the motor only when the hands and feet are away from the cutting means.
- f) **Always disconnect the machine from the power supply (i.e. remove the plug from the mains, remove the disabling device or removable battery)**
 - whenever the machine is left unattended;
 - before clearing a blockage;
 - before checking, cleaning or working on the machine;
 - after striking a foreign object;
 - whenever the machine starts vibrating abnormally.
- g) Take care against injury to feet and hands from the cutting means.
- h) Always ensure that the ventilation openings are kept clear of debris.
- i) Remove any objects that may cause kickback, such as branches and rocks.
- j) Check for loose fasteners and damaged parts, such as cracks in the cutting attachment.

Maintenance and Storage

- a) **Disconnect the machine from the power supply (i.e. remove the plug from the mains, remove the disabling device or removable battery)** before carrying out maintenance or cleaning work.
- b) Use only the manufacturer's recommended replacement parts and accessories.
- c) **Inspect and maintain the machine regularly.** Have the machine repaired only by an authorized repairer.

- d) *When not in use, store the machine out of the reach of children.*
- e) *Use blade cover for metal blades during transport and storage.*
- f) *Clean before storing, including the use of guards on cutting attachments with metal blades.*

ADDITIONAL SAFETY INSTRUCTIONS FOR GRASS TRIMMERS

⚠ WARNING: *Cutting elements continue to rotate after the motor is switched off.*

- *Wear long trousers to protect your legs.*
- *Before using the appliance, check that your cutting path is free from sticks, stones, wire and any other obstacles.*
- *Only use the appliance in the upright position, with the cutting line near the ground. Never switch the appliance on in any other position.*
- *Move slowly when using the appliance. Be aware that freshly cut grass is damp and slippery.*
- *Do not work on steep slopes. Work across the face of slopes, not up and down.*
- *Never cross gravel paths or roads while the appliance is running.*
- *Never touch the cutting line while the appliance is running.*
- *Do not put the appliance down until the cutting line has come to a complete standstill.*
- *Use only the appropriate type of cutting line. Never use metal cutting line or fishing line.*
- *Keep hands and feet away from the cutting line and blade at all times, especially when switching on the motor.*
- *Before using the appliance and after any impact, check for signs of wear or damage and repair as necessary.*
- *Take care against injury from any device fitted for trimming the filament line length. After extending new cutter line always return the machine to its normal operating position before switching on.*
- *Close supervision is necessary when the appliance is used near children.*
- *This appliance is not intended for use by young or infirm persons without supervision.*
- *This appliance is not to be used as a toy.*
- *Use in a dry location only. Do not allow the appliance to become wet.*
- *Do not immerse the appliance in water.*
- *Do not open the body casing. There are not user-serviceable parts inside*
- *Do not operate the appliance in explosive atmospheres, such as in the presence of flammable liquids, gases or dust.*
- *When the appliance is stored or transported in a vehicle it should be placed in the boot or restrained to prevent movement following sudden changes in speed or direction.*

- *When not in use, the appliance should be stored in a dry, well ventilated place out of reach of children.*
- *Children should not have access to stored appliances.*

Safety of Others

- *This appliance is not intended for use by persons (including children) with reduced physical, sensory or mental capabilities, or lack of experience and knowledge, unless they have been given supervision or instruction concerning use of the appliance by a person responsible for their safety.*
- *Children must be supervised to ensure that they do not play with the appliance.*

Residual Risks

To ensure you have good footing on slopes, do not overreach. Keep your balance at all times. Always walk, do not run.

Additional residual risks may arise when using the tool which may not be included in the enclosed safety warnings. These risks can arise from misuse, prolonged use etc.

Even with the application of the relevant safety regulations and the implementation of safety devices, certain residual risks can not be avoided. These include:

- *Injuries caused by touching any rotating/moving parts.*
- *Injuries caused when changing any parts, blades or accessories.*
- *Injuries caused by prolonged use of a tool. When using any tool for prolonged periods ensure you take regular breaks.*
- *Impairment of hearing.*
- *Health hazards caused by breathing dust developed when using your tool (example: working with wood, especially oak, beech and MDF).*

Electrical Safety

The electric motor has been designed for one voltage only. Always check that the battery pack voltage corresponds to the voltage on the rating plate. Also make sure that the voltage of your charger corresponds to that of your mains.



Your STANLEY FATMAX charger is double insulated in accordance with EN60335; therefore no earth wire is required.

⚠ WARNING: *115 V units have to be operated via a fail-safe isolating transformer with an earth screen between the primary and secondary winding.*

If the supply cord is damaged, it must be replaced by a specially prepared cord available through the STANLEY FATMAX service organisation.

Mains Plug Replacement (U.K. & Ireland Only)

If a new mains plug needs to be fitted:

- *Safely dispose of the old plug.*
- *Connect the brown lead to the live terminal in the plug.*
- *Connect the blue lead to the neutral terminal.*

⚡ WARNING: *No connection is to be made to the earth terminal.*

Follow the fitting instructions supplied with good quality plugs. Recommended fuse: 3 A..

Using an Extension Cable

An extension cord should not be used unless absolutely necessary. Use an approved extension cable suitable for the power input of your charger (see **Technical Data**). The minimum conductor size is 1 mm²; the maximum length is 30 m.

When using a cable reel, always unwind the cable completely.

SAVE THESE INSTRUCTIONS

Chargers

STANLEY FATMAX chargers require no adjustment and are designed to be as easy as possible to operate.

Important Safety Instructions for All Battery Chargers

SAVE THESE INSTRUCTIONS: This manual contains important safety and operating instructions for compatible battery chargers (refer to **Technical Data**).

- Before using charger, read all instructions and cautionary markings on charger, battery pack, and product using battery pack.

⚠ WARNING: *Shock hazard. Do not allow any liquid to get inside charger. Electric shock may result.*

⚠ WARNING: *We recommend the use of a residual current device with a residual current rating of 30mA or less.*

⚠ CAUTION: *Burn hazard. To reduce the risk of injury, charge only STANLEY FATMAX rechargeable batteries. Other types of batteries may burst causing personal injury and damage.*

⚠ CAUTION: *Children should be supervised to ensure that they do not play with the appliance.*

NOTICE: *Under certain conditions, with the charger plugged into the power supply, the exposed charging contacts inside the charger can be shorted by foreign material. Foreign materials of a conductive nature such as, but not limited to, steel wool, aluminum foil or any buildup of metallic particles should be kept away from charger cavities. Always unplug the charger from the power supply when there is no battery pack in the cavity. Unplug charger before attempting to clean*

- **DO NOT attempt to charge the battery pack with any chargers other than the ones in this manual.** The charger and battery pack are specifically designed to work together.

- **These chargers are not intended for any uses other than charging STANLEY FATMAX rechargeable batteries.** Any other uses may result in risk of fire, electric shock or electrocution.
- **Do not expose charger to rain or snow.**
- **Pull by plug rather than cord when disconnecting charger.** This will reduce risk of damage to electric plug and cord.
- **Make sure that cord is located so that it will not be stepped on, tripped over, or otherwise subjected to damage or stress.**
- **Do not use an extension cord unless it is absolutely necessary.** Use of improper extension cord could result in risk of fire, electric shock, or electrocution.
- **Do not place any object on top of charger or place the charger on a soft surface that might block the ventilation slots and result in excessive internal heat.** Place the charger in a position away from any heat source. The charger is ventilated through slots in the top and the bottom of the housing.
- **Do not operate charger with damaged cord or plug—** have them replaced immediately.
- **Do not operate charger if it has received a sharp blow, been dropped, or otherwise damaged in any way.** Take it to an authorised service centre.
- **Do not disassemble charger; take it to an authorised service centre when service or repair is required.** Incorrect reassembly may result in a risk of electric shock, electrocution or fire.
- In case of damaged power supply cord the supply cord must be replaced immediately by the manufacturer, its service agent or similar qualified person to prevent any hazard.
- **Disconnect the charger from the outlet before attempting any cleaning. This will reduce the risk of electric shock.** Removing the battery pack will not reduce this risk.
- **NEVER** attempt to connect two chargers together.
- **The charger is designed to operate on standard 230V household electrical power. Do not attempt to use it on any other voltage.** This does not apply to the vehicular charger.







Charging a Battery (Fig. B)

1. Plug the charger into an appropriate outlet before inserting battery pack.
2. Insert the battery pack **7** into the charger, making sure the battery pack is fully seated in the charger. The red (charging) light will blink repeatedly indicating that the charging process has started.
3. The completion of charge will be indicated by the red light remaining ON continuously. The battery pack is fully charged and may be used at this time or left in the charger. To remove the battery pack from the charger, push the battery release button **8** on the battery pack.

Note: To ensure maximum performance and life of lithium-ion battery packs, charge the battery pack fully before first use.

Charger Operation

Refer to the indicators below for the charge status of the battery pack.

Charge Indicators		
	Charging	
	Fully Charged	
	Hot/Cold Pack Delay*	

*The red light will continue to blink, but a yellow indicator light will be illuminated during this operation. Once the battery pack has reached an appropriate temperature, the yellow light will turn off and the charger will resume the charging procedure.

The compatible charger(s) will not charge a faulty battery pack. The charger will indicate faulty battery by refusing to light or by displaying problem pack or charger blink pattern.

NOTE: This could also mean a problem with a charger.

If the charger indicates a problem, take the charger and battery pack to be tested at an authorised service centre.

Hot/Cold Pack Delay

When the charger detects a battery pack that is too hot or too cold, it automatically starts a Hot/Cold Pack Delay, suspending charging until the battery pack has reached an appropriate temperature. The charger then automatically switches to the pack charging mode. This feature ensures maximum battery pack life.

A cold battery pack will charge at a slower rate than a warm battery pack. The battery pack will charge at that slower rate throughout the entire charging cycle and will not return to maximum charge rate even if the battery pack warms.

Wall Mounting

These chargers are designed to be wall mountable or to sit upright on a table or work surface. If wall mounting, locate the charger within reach of an electrical outlet, and away from a corner or other obstructions which may impede air flow. Use the back of the charger as a template for the location of the mounting screws on the wall. Mount the charger securely using drywall screws (purchased separately) at least 25.4 mm long with a screw head diameter of 7–9 mm, screwed into wood to an optimal depth leaving approximately 5.5 mm of the screw exposed. Align the slots on the back of the charger with the exposed screws and fully engage them in the slots.

Charger Cleaning Instructions

⚠ WARNING: *Shock hazard. Disconnect the charger from the AC outlet before cleaning. Dirt and grease may be removed from the exterior of the charger using a cloth or soft non-metallic brush. Do not use water or any cleaning solutions. Never let any liquid get inside the tool; never immerse any part of the tool into a liquid.*

Battery Packs

Important Safety Instructions for All Battery Packs

When ordering replacement battery packs, be sure to include catalogue number and voltage.

The battery pack is not fully charged out of the carton. Before using the battery pack and charger, read the safety instructions below. Then follow charging procedures outlined.

READ ALL INSTRUCTIONS

- **Do not charge or use battery in explosive atmospheres, such as in the presence of flammable liquids, gases or dust.** Inserting or removing the battery from the charger may ignite the dust or fumes.
- **Never force battery pack into charger. Do not modify battery pack in any way to fit into a non-compatible charger as battery pack may rupture causing serious personal injury.**
- Charge the battery packs only in STANLEY FATMAX chargers.
- **DO NOT** splash or immerse in water or other liquids.
- **Do not store or use the tool and battery pack in locations where the temperature may reach or exceed 40 °C (104 °F) (such as outside sheds or metal buildings in summer).**
- **Do not incinerate the battery pack even if it is severely damaged or is completely worn out.** The battery pack can explode in a fire. Toxic fumes and materials are created when lithium-ion battery packs are burned.
- **If battery contents come into contact with the skin, immediately wash area with mild soap and water.** If battery liquid gets into the eye, rinse water over the open eye for 15 minutes or until irritation ceases. If medical attention is needed, the battery electrolyte is composed of a mixture of liquid organic carbonates and lithium salts.
- **Contents of opened battery cells may cause respiratory irritation.** Provide fresh air. If symptoms persists, seek medical attention.

⚠ WARNING: *Burn hazard. Battery liquid may be flammable if exposed to spark or flame.*

⚠ WARNING: *Never attempt to open the battery pack for any reason. If battery pack case is cracked or damaged, do not insert into charger. Do not crush, drop or damage battery pack. Do not use a battery pack or charger that has received a sharp blow, been dropped, run over or damaged in any way (i.e., pierced with a nail, hit with a hammer, stepped on). Electric shock or electrocution may result. Damaged battery packs should be returned to service centre for recycling.*

⚠ WARNING: *Fire hazard. Do not store or carry the battery pack so that metal objects can contact exposed battery terminals. For example, do*

not place the battery pack in aprons, pockets, tool boxes, product kit boxes, drawers, etc., with loose nails, screws, keys, etc.

CAUTION: *When not in use, place tool on its side on a stable surface where it will not cause a tripping or falling hazard. Some tools with large battery packs will stand upright on the battery pack but may be easily knocked over.*

Transportation

WARNING: *Fire hazard. Transporting batteries can possibly cause fire if the battery terminals inadvertently come in contact with conductive materials. When transporting batteries, make sure that the battery terminals are protected and well insulated from materials that could contact them and cause a short circuit.*

STANLEY FATMAX batteries comply with all applicable shipping regulations as prescribed by industry and legal standards which include UN Recommendations on the Transport of Dangerous Goods; International Air Transport Association (IATA) Dangerous Goods Regulations, International Maritime Dangerous Goods (IMDG) Regulations, and the European Agreement Concerning The International Carriage of Dangerous Goods by Road (ADR). Lithium-ion cells and batteries have been tested to section 38.3 of the UN Recommendations on the Transport of Dangerous Goods Manual of Tests and Criteria.

In most instances, shipping a STANLEY FATMAX battery pack will be excepted from being classified as a fully regulated Class 9 Hazardous Material. In general, only shipments containing a lithium-ion battery with an energy rating greater than 100 Watt Hours (Wh) will require being shipped as fully regulated Class 9. All lithium-ion batteries have the Watt Hour rating marked on the pack. Furthermore, due to regulation complexities, STANLEY FATMAX does not recommend air shipping lithium-ion battery packs alone regardless of Watt Hour rating. Shipments of tools with batteries (combo kits) can be air shipped as excepted if the Watt Hour rating of the battery pack is no greater than 100 Whr.

Regardless of whether a shipment is considered excepted or fully regulated, it is the shipper's responsibility to consult the latest regulations for packaging, labeling/marketing and documentation requirements.

The information provided in this section of the manual is provided in good faith and believed to be accurate at the time the document was created. However, no warranty, expressed or implied, is given. It is the buyer's responsibility to ensure that its activities comply with the applicable regulations.

Storage Recommendations

1. The best storage place is one that is cool and dry away from direct sunlight and excess heat or cold. For optimum battery performance and life, store battery packs at room temperature when not in use.

2. For long storage, it is recommended to store a fully charged battery pack in a cool, dry place out of the charger for optimal results.

Note: Battery packs should not be stored completely depleted of charge. The battery pack will need to be recharged before use.

Labels on Charger and Battery Pack

In addition to the pictographs used in this manual, the labels on the charger and the battery pack may show the following pictographs:



Read instruction manual before use.



See **Technical Data** for charging time.



Do not probe with conductive objects.



Do not charge damaged battery packs.



Do not expose to water.



Have defective cords replaced immediately.



Charge only between 4 °C and 40 °C.



Only for indoor use.



Discard the battery pack with due care for the environment.



Charge STANLEY FATMAX battery packs only with designated STANLEY FATMAX chargers. Charging battery packs other than the designated STANLEY FATMAX batteries with a STANLEY FATMAX charger may make them burst or lead to other dangerous situations.



Do not incinerate the battery pack.

Battery Type

The SFMCST933 operates on a 18 volt battery pack.

These battery packs may be used: SFMCB204, SFMCB202, SFMCB206. Refer to **Technical Data** for more information.

Package Contents

The package contains:

- 1 Grass Trimmer
- 1 Guard
- 1 Battery
- 1 Charger
- 1 Instruction manual
- Check for damage to the tool, parts or accessories which may have occurred during transport.
- Take the time to thoroughly read and understand this manual prior to operation.

Markings on Tool

The following pictograms are shown on the tool:



Read instruction manual before use.



Wear ear protection.



Wear eye protection.



Do not expose the tool to rain or high humidity or leave outdoors while it is raining.



Switch the tool off. Before performing any maintenance on the tool, remove the battery from the tool.



Keep people and animals at least 6 m away from the work area.



Keep bystanders away.



Directive 2000/14/EC guaranteed sound power.

Date Code Position (Fig. J)

The date code **18**, which also includes the year of manufacture, is printed into the housing.

Example:

2019 XX XX
Year of Manufacture

Description (Fig. A)

WARNING: Never modify the power tool or any part of it. Damage or personal injury could result.

- | | |
|------------------------|--|
| 1 On/Off trigger | 9 Wire edge guide |
| 2 Lock-off button | 10 Spool housing |
| 3 Speed control switch | 11 Guard |
| 4 Main handle | 12 Battery housing |
| 5 Auxiliary handle | 13 Battery pack |
| 6 Height-adjust collar | 14 Battery release button |
| 7 Turn-to-edge collar | 15 Auxiliary handle adjustment buttons |
| 8 Trimmer head | |

Intended Use

This Grass Trimmer is designed for professional trimming applications.

DO NOT use under wet conditions or in the presence of flammable liquids or gases.

This is not an edger and is not intended to be used for edging.

DO NOT let children come into contact with the tool.

Supervision is required when inexperienced operators use this tool.

- **Young children and the infirm.** This appliance is not intended for use by young children or infirm persons without supervision.
- This product is not intended for use by persons (including children) suffering from diminished physical, sensory or mental abilities; lack of experience, knowledge or skills unless they are supervised by a person responsible for their safety. Children should never be left alone with this product.

ASSEMBLY AND ADJUSTMENTS

WARNING: To reduce the risk of serious personal injury, turn tool off and disconnect battery pack before making any adjustments or removing/installing attachments or accessories. An accidental start-up can cause injury.

WARNING: Use only STANLEY FATMAX battery packs and chargers.

Inserting and Removing the Battery Pack from the Tool (Fig. F)

NOTE: Make sure your battery pack **13** is fully charged.

To Install the Battery Pack into the Tool

1. Align the battery pack **13** with the rails inside the tool (Fig. C).
2. Slide it into the tool until the battery pack is firmly seated and ensure that you hear the lock snap into place.

To Remove the Battery Pack from the Tool

1. Press the release button **14** and firmly pull the battery pack out of the tool handle (Fig. F).
2. Insert battery pack into the charger as described in the charger section of this manual.

Fuel Gauge Battery Packs (Fig. F)

Some STANLEY FATMAX battery packs include a fuel gauge which consists of three green LED lights that indicate the level of charge remaining in the battery pack.

To actuate the fuel gauge, press and hold the fuel gauge button **25**. A combination of the three green LED lights will illuminate designating the level of charge left. When the level of charge in the battery is below the usable limit, the fuel gauge will not illuminate and the battery will need to be recharged.

NOTE: The fuel gauge is only an indication of the charge left on the battery pack. It does not indicate tool functionality and is subject to variation based on product components, temperature and end-user application.

Attaching Guard (Fig. B, C)

⚠ WARNING: *Never remove the guard. Damage or personal injury could result.*

⚠ WARNING: *NEVER OPERATE APPLIANCE WITHOUT GUARD FIRMLY IN PLACE. The guard must always be properly attached on the appliance to protect the user.*

1. Remove the guard screws **16**.
2. Slide the guard **11** fully onto the trimmer head **8**. Make sure the tabs on the guard engage the ribs on the trimmer head.
3. Continue to slide the guard on until it “snaps” into place. The locking tab should snap into the housing slot.
4. Using a crosshead screwdriver, insert the guard screw and tighten securely.
5. Once the guard is installed, remove the covering from the line cut-off blade, located on the edge of the guard.

Attaching the Auxiliary Handle (Fig. D)

For some models the auxiliary handle may need to be attached. If the model needs the auxiliary handle attached, please refer to these instructions.

1. To attach the auxiliary handle **5**, press in on the auxiliary handle adjustment buttons **15** on both sides of the upper housing as shown in Figure D.
2. Position the auxiliary handle as shown in Figure D. Partially push the auxiliary handle on so it will hold the buttons in when you release them with your hand.

3. Push the auxiliary handle completely onto the housing and position it slightly until it “snaps” into place.

NOTE: To adjust the auxiliary handle up or down, press in on the buttons and raise or lower the handle.

NOTE: The handle should be adjusted so that your front arm is straight when the trimmer is in the working position.

Height Adjustment (Fig. E)

⚠ CAUTION: *Adjust the length of the trimmer to obtain proper working positions.*

1. The overall height of the trimmer can be adjusted by loosening the height-adjust collar **6** by rotating it in the direction of the arrow shown in Figure E.
2. Move the upper housing straight up or down. When the desired height is achieved, tighten the collar by rotating it opposite of the direction shown in Figure E.

Releasing the Cutting Line (Fig. A)

In transit, the cutting line is taped to the spool housing **10**.

- Remove the tape holding the cutting line to the spool housing.

OPERATION

Instructions for Use

⚠ WARNING: *Always observe the safety instructions and applicable regulations.*

⚠ WARNING: *To reduce the risk of serious personal injury, turn tool off and disconnect battery pack before making any adjustments or removing/installing attachments or accessories. An accidental start-up can cause injury.*

Proper Hand Position (Fig. A, I)

⚠ WARNING: *To reduce the risk of serious personal injury, ALWAYS use proper hand position as shown.*

⚠ WARNING: *To reduce the risk of serious personal injury, ALWAYS hold securely in anticipation of a sudden reaction.*

Hold the handle **4** with one hand, as shown in figure I

Switching Trimmer On and Off (Fig. A)

⚠ WARNING: *Never attempt to lock the trigger in the on position.*

To turn the appliance on, squeeze the lock-off button **2** and then the On/Off trigger **1**. Once the unit is running, you may

release the lock off button. To turn the appliance off, release the On/Off trigger.

Speed Control Switch (Fig. A)

This string trimmer gives you the choice to operate at a more efficient speed to extend the runtime for larger jobs, or accelerate the trimmer speed for high- performance cutting.

To extend runtime, pull the speed control switch back toward the battery housing **12** into the "LO" position. This mode is best for larger projects that require more time to complete.

To accelerate the trimmer, push the speed control switch **3** forward toward the auxiliary handle **5** into the "HI" position. This mode is best to cut through heavier growth and for applications that need higher RPM.

NOTE: When in "HI" mode, runtime will be decreased as compared to when trimmer is in "LO" mode.

Trimming (Fig. H, I)

With the trimmer on, angle it and swing side to side as shown in Figure H.

Maintain a cutting angle of 5° to 10° as shown in Figure I. Do not exceed 10°. Cut with the tip of the line.

Maintain a minimum distance of 610 mm between the guard and your feet as shown in Figure I.

Convert to Edging Mode (Fig. J)

⚠ CAUTION: *The wire edge guide should only be used when in the edging mode.*

The trimmer can be used in trimming mode or edging mode to trim overhanging grass along lawn edges and flower beds. To convert the trimmer to edging mode:

1. Remove the battery from the trimmer.
2. Grasp the turn-to-edge collar **7** and pull down as shown in Figure J.
3. Rotate the turn-to-edge collar 180° counterclockwise as shown in Figure J., until the handle snaps back into the upper half of the trimmer.
4. To return to trimming position, pull the turn-to-edge collar up and rotate the head clockwise back to its original position.

NOTE: You will experience faster than normal cutting line wear if the trimmer line is positioned directly over the sidewalk or abrasive surface.

Edging Mode Operation (Fig. A, H)

⚠ WARNING: *When being used as an edger, stones, pieces of metal and other objects can be thrown out at high speed by the line. The trimmer and guard are designed to reduce the danger.*

However, MAKE SURE that other persons and pets are at least 100' (30 m) away. Optimum cutting results are achieved on edges deeper than 50 mm.

- Do not use this trimmer to create trenches.

- Using the wire edge guide **9**, guide the trimmer.
- Position the wire edge guide on the edge of the sidewalk or abrasive surface so the cutting line is over the grass or dirt area to be edged.
- To make a closer cut, slightly tilt the trimmer.

Helpful Cutting Tips (Fig. K)

- Use the tip of the string to do the cutting; do not force string head into uncut grass. Use edge guide along such things as fences, houses and flower beds for best practices.
- Wire and picket fences cause extra string wear, even breakage. Stone and brick walls, curbs, and wood may wear string rapidly.
- Do not allow spool cap **18** to drag on ground or other surfaces.
- In long growth, cut from the top down and do not exceed 305 mm high.
- Keep trimmer tilted toward the area being cut; this is the best cutting area.
- The trimmer cuts when passing the unit from the left to right. This will avoid throwing debris at the operator.
- Avoid trees and shrubs. Tree bark, wood moldings, siding, and fence posts can easily be damaged by the string.

Cutting Line/Line Feeding

Your trimmer uses 1.65 mm diameter, ROUND nylon line. During use, the tips of the nylon lines will become frayed and worn and the special self feeding spool will automatically feed and trim a fresh length of line. Cutting line will wear faster and require more feeding if the cutting or edging is done along sidewalks or other abrasive surfaces or heavier weeds are being cut. The advanced automatic line feeding mechanism senses when more cutting line is needed and feeds and trims the correct length of line whenever it's required. Do not bump unit on ground in attempt to feed line or for any other purposes.

Clearing Jams and Tangled Line (Fig. K)

⚠ WARNING: *Remove the battery from the trimmer before making any assembly, adjustments or changing accessories. Such preventive safety measures reduce the risk of starting the appliance accidentally.*

From time to time, especially when cutting thick or stalky weeds, the line feeding hub may become clogged with sap or other material and the line will become jammed as a result. To clear the jam, follow the steps listed below.

⚠ CAUTION: *To avoid appliance damage, if the cutting line protrudes beyond the trimming blade, cut it off so that it just reaches the blade.*

1. Remove the battery from the trimmer.
2. Press the release tabs **19** on the spool cap **18**, and remove the spool cap from the spool housing **10** (Figure K).
3. Pull the nylon line spool out and clear any broken line or cutting debris from the spool area.

- Place spool and line into spool cap with line “parked” in slots provided.
- Insert the line end through the appropriate hole in the spool housing. Pull slack line through until it pulls out of the holding slots.
- Press the spool down GENTLY and rotate it until you feel it drop into place and then push to snap into place. (When in place, the spool will turn a few degrees left and right freely).
- Take care to keep the line from becoming trapped under the spool.
- Fit the spool onto the appliance as described in **Replacing Spool Assembly**.

Replacing Spool Assembly (Fig. K, L)

⚠ WARNING: *The use of any accessory not recommended by STANLEY FATMAX for use with this appliance could be hazardous.*

⚠ WARNING: *Do not use any blades, or any accessory or attachment other than those recommended by STANLEY FATMAX on this trimmer. Serious injury or product damage may result.*

Reload nylon line (either bulk or prewound replacement spool) as shown in this manual.

USE ONLY 1.65 mm DIAMETER ROUND NYLON MONOFILAMENT LINE. Do not use serrated or heavier gauge line, as they will overload the motor and cause overheating. This line is available at your local dealer or authorized service center.

- Remove battery from appliance.
- Press the release tabs **19** on the spool cap **18**, and remove the spool cap from the spool housing **10** (Figure K).
- For best results, replace spool and line with STANLEY FATMAX Model # STZST12169/STZST121693 or replace cap only with STANLEY FATMAX Model # STZST1326.
- If lever in base of housing becomes dislodged, replace in correct position before inserting new spool into housing.
- Remove any dirt and grass from the spool cap and spool housing.
- Unfasten the end of the cutting line and guide the line into the eyelet.
- Take the new spool and push it onto the boss **20** in the housing. Rotate the spool slightly until it is seated.
- The line should protrude approximately 5-136 mm from the housing.
- Align the release tabs on the spool cap with the slots in the spool housing.
- Snap the spool cap back on by depressing release tabs and pressing into spool housing.
- Push the cap onto the housing until it snaps securely into place.

NOTE: Make sure that cover is fully positioned, listen for two audible clicks to ensure both release tabs are correctly located.

Power the appliance on. In a few seconds or less you'll hear the nylon line being cut automatically to the proper length.

NOTE: Other replacement parts (guards, spool caps, etc.) are available through authorized service centers.

Rewinding Spool from Bulk Line (use only 1.65 mm ROUND diameter line) (Fig. A, M, N)

Bulk line is also available for purchase from your local retailer.

NOTE: Hand wound spools from bulk line are likely to become tangled more frequently than STANLEY FATMAX factory wound spools. For best results, factory wound spools are recommended.

- Remove battery from appliance.
- Remove the empty spool from the appliance as described in **Replacing Spool Assembly**.
- Remove any remaining cutting line from the spool **21**.
- Make a fold at the end of the cutting line at about 19 mm. Feed the cutting line into one of the line anchoring slots **22**.
- Insert the 19 mm end of the bulk line into the hole **23** in the spool adjacent to the slot. Make sure the line is pulled tight against the spool.
- Wind the cutting line onto the spool in the direction of the arrow on the spool. Make sure to wind the line on neatly and in layers. Do not crisscross.
- When the wound cutting line reaches the recesses **24** cut the line.
- Fit the spool onto the appliance as described in **Replacing Spool Assembly**.

MAINTENANCE

Your STANLEY FATMAX power tool has been designed to operate over a long period of time with a minimum of maintenance. Continuous satisfactory operation depends upon proper tool care and regular cleaning.

⚠ WARNING: *To reduce the risk of serious personal injury, turn tool off and disconnect battery pack before making any adjustments or removing/installing attachments or accessories. An accidental start-up can cause injury.*

The charger and battery pack are not serviceable.



Lubrication

Your power tool requires no additional lubrication.



Cleaning

⚠ WARNING: *Blow dirt and dust out of the main housing with dry air as often as dirt is seen collecting in and around the air vents. Wear approved eye protection and approved dust mask when performing this procedure.*

! **WARNING:** *Never use solvents or other harsh chemicals for cleaning the non-metallic parts of the tool. These chemicals may weaken the materials used in these parts. Use a cloth dampened only with water and mild soap. Never let any liquid get inside the tool; never immerse any part of the tool into a liquid.*

Optional Accessories

! **WARNING:** *Since accessories, other than those offered by STANLEY FATMAX, have not been tested with this product, use of such accessories with this tool could be hazardous. To reduce the risk of injury, only STANLEY FATMAX recommended accessories should be used with this product.*

Consult your dealer for further information on the appropriate accessories.

Protecting the Environment



Separate collection. Products and batteries marked with this symbol must not be disposed of with normal household waste.

■ Products and batteries contain materials that can be recovered or recycled reducing the demand for raw materials. Please recycle electrical products and batteries according to local provisions. Further information is available at www.2helpU.com.

Rechargeable Battery Pack

This long life battery pack must be recharged when it fails to produce sufficient power on jobs which were easily done before. At the end of its technical life, discard it with due care for our environment:

- Run the battery pack down completely, then remove it from the tool.
- Li-Ion cells are recyclable. Take them to your dealer or a local recycling station. The collected battery packs will be recycled or disposed of properly.

Australia & New Zealand

Stanley Black & Decker

Stanley Fat Max

www.stanleytools.com.au

Tel. 1800 338 002 (Aust) or Tel. 0800 4782 6539 (NZ)

810 Whitehorse Road Box Hill VIC 3128, Australia